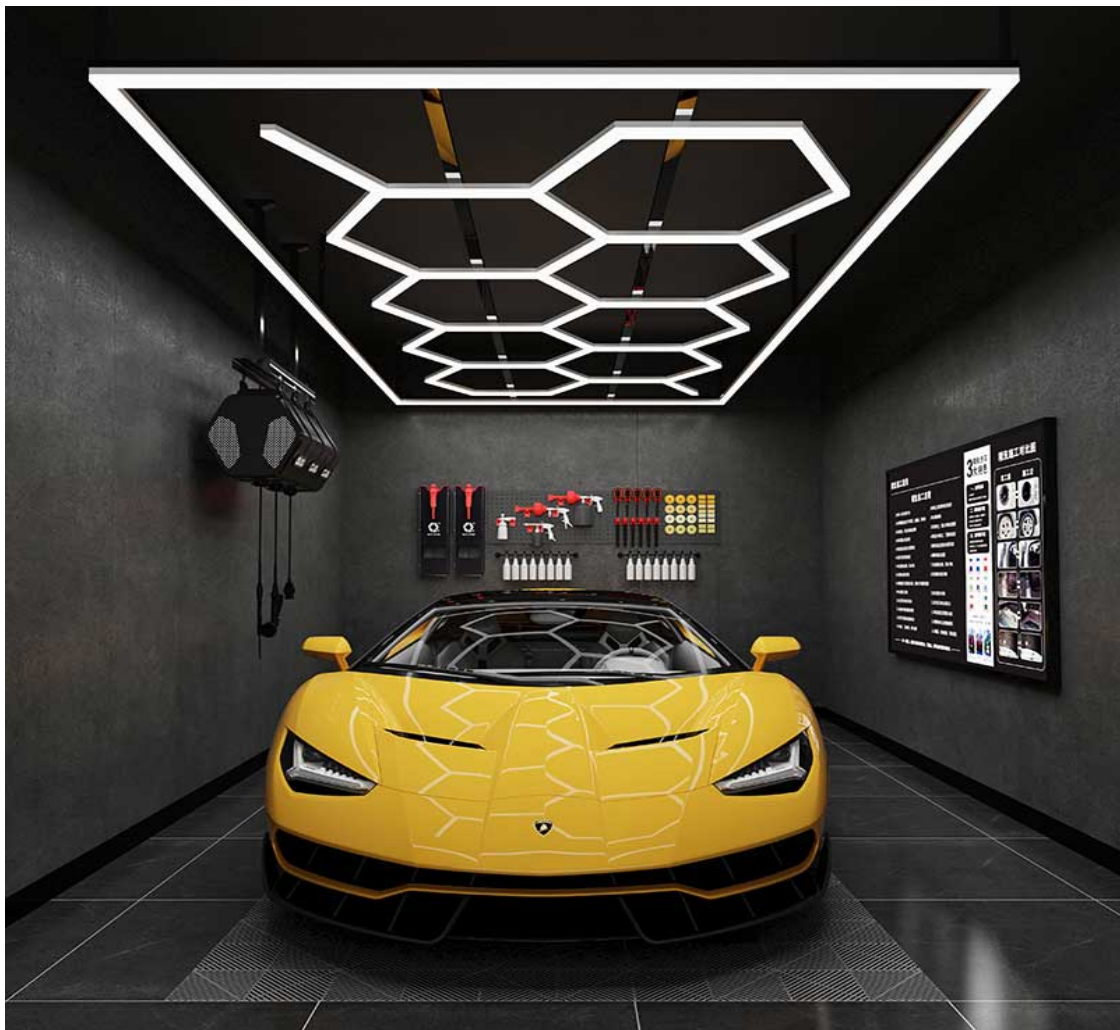


# Installation Instruction



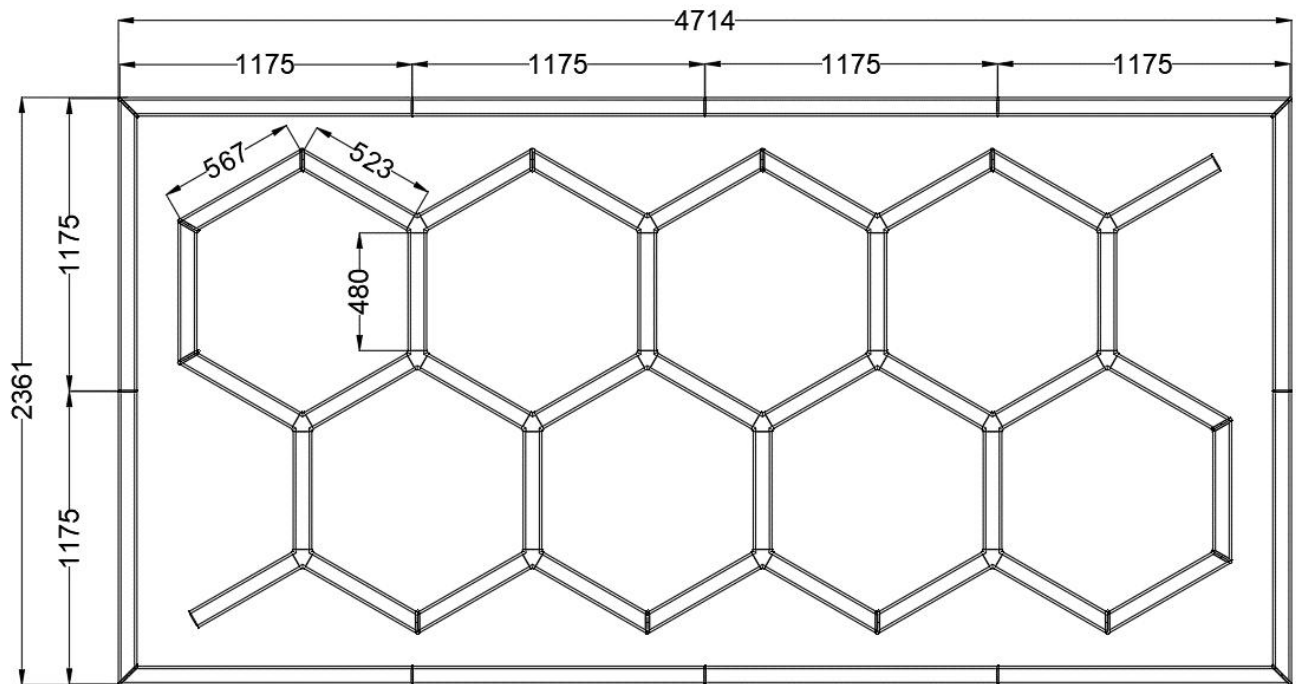
Only for reference! Please read this manual before assembling this product, and keep this for subsequent .

**TEST BEFORE PUTTING IT INTO THE CEILING!**

# Contents

1. Design Sketch.....	2
2. Parts List.....	2
3. Technical data.....	3
4. Assembling Instruction.....	3
5. Circuit Diagram.....	5
6. Mounting Instruction.....	6

## Design sketch



No.	Name	Specification	Quantity	Unit
1	light bars	1.175m	12	pieces
2	light bars	0.523m	16	pieces
3	light bars	0.567m	4	pieces
4	light bars	0.485m	17	pieces
5	90° connectors	90°	4	pieces
6	120° connectors	120°	12	pieces
7	180° connectors	180°	8	pieces
8	Y connectors	3-way	16	pieces
9	End cap	-	2	pieces
10	— iron sheet	101*10mm 4holes	16	pieces
11	L iron sheet	46*10mm 4holes	8	pieces
12	120° iron sheet	43*43mm 4holes	72	pieces
13	Led Driver	400W with mounted plate	5	sets
14	buckles	75mm (option 1)	27	pieces
15	countersunk screw	M5*6mm	384	pieces
16	countersunk screw	M4*4mm	20	pieces
17	Plastic expansion bolt	M6*30mm (option 1)	64	pieces

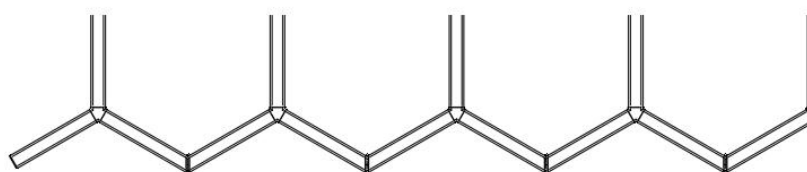
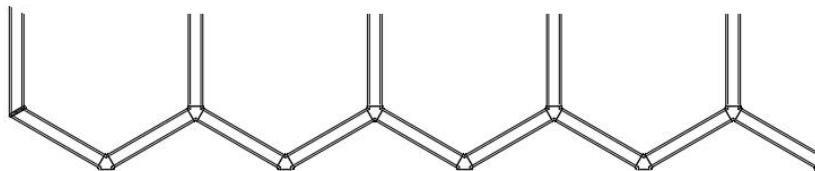
18	Wire	150mm	8	pieces
19	Installation instruction	1	1	pieces

## Technical Data

Voltage	AC110V
Power	987W
Current	18A
Width	80mm
Luminous Flux	110-120lm/w
CRI.	>90
CCT.	6500K (White)
Material	Aluminium+PVC cover

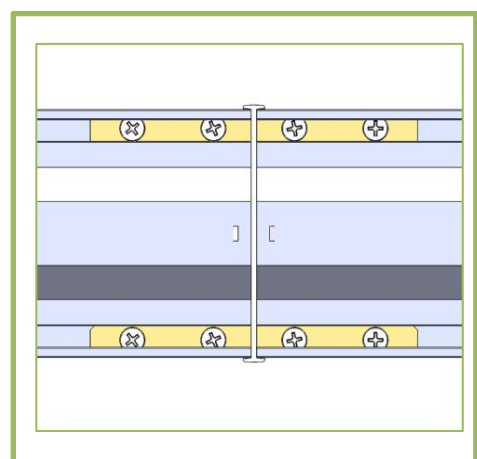
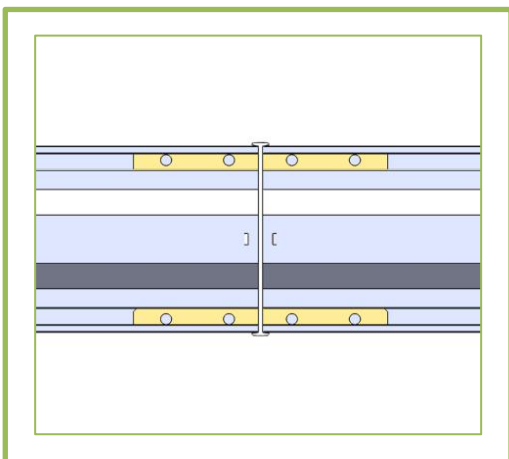
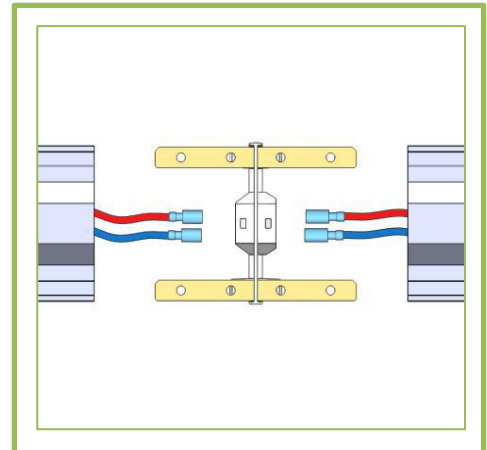
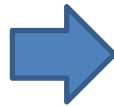
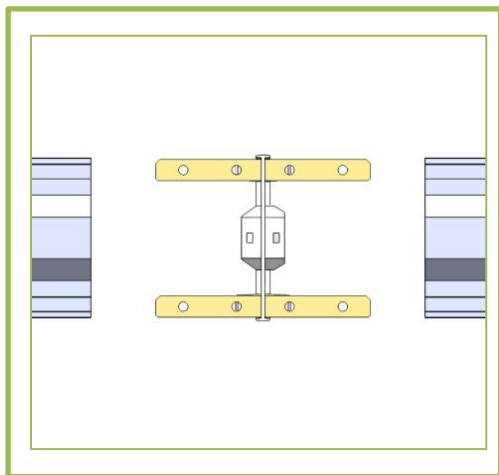
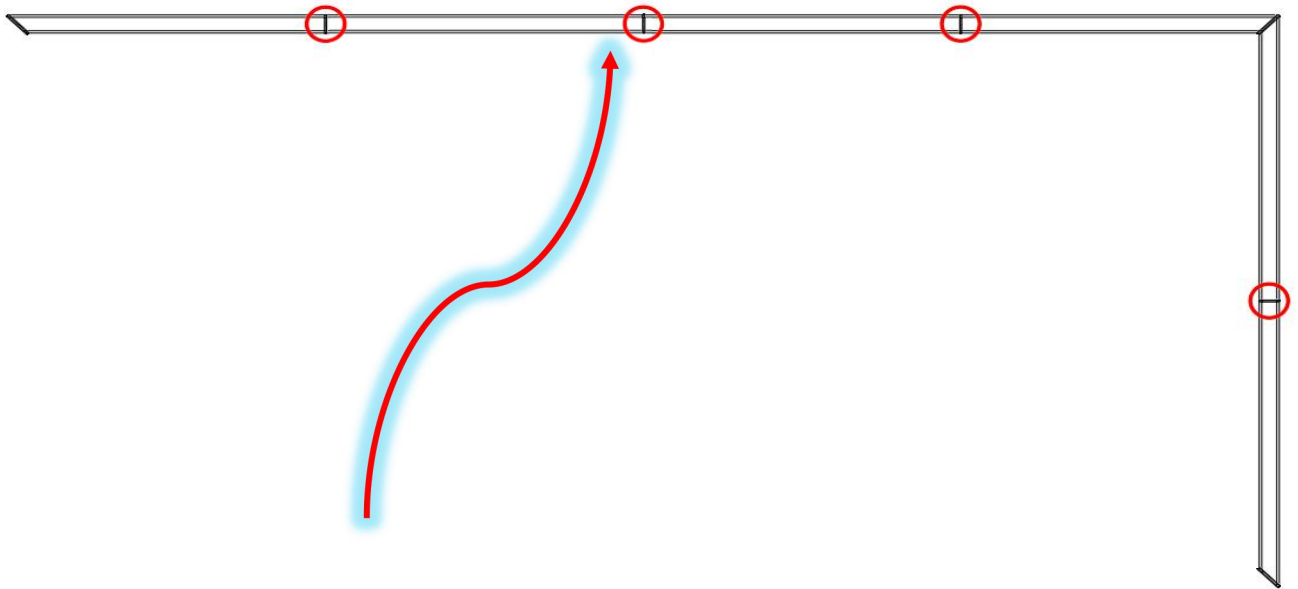
## Assembling instruction

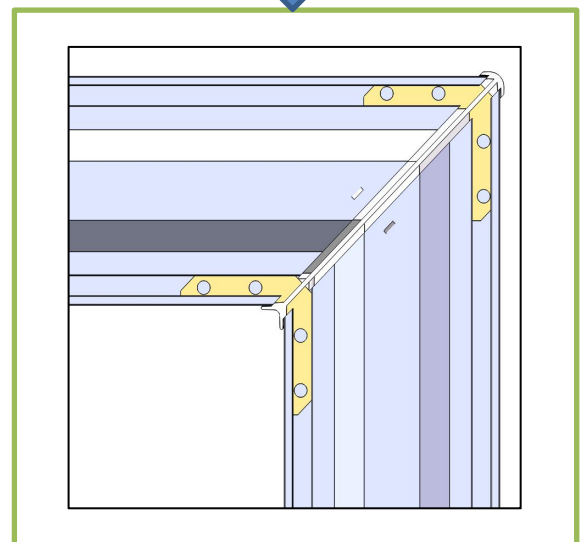
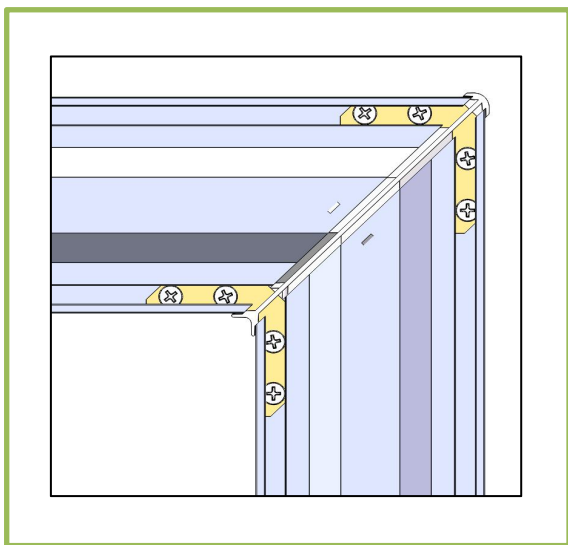
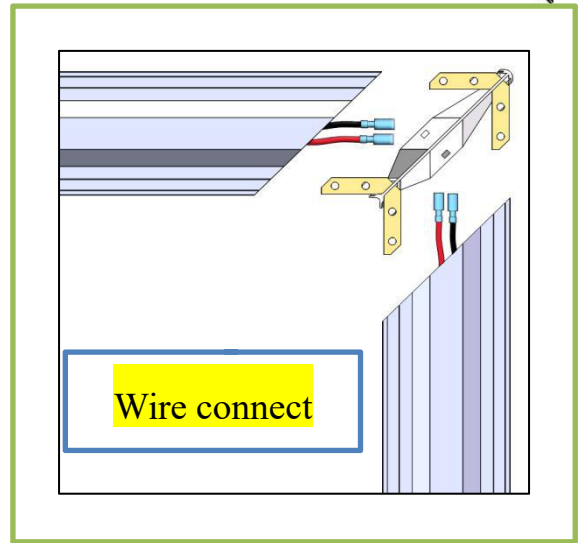
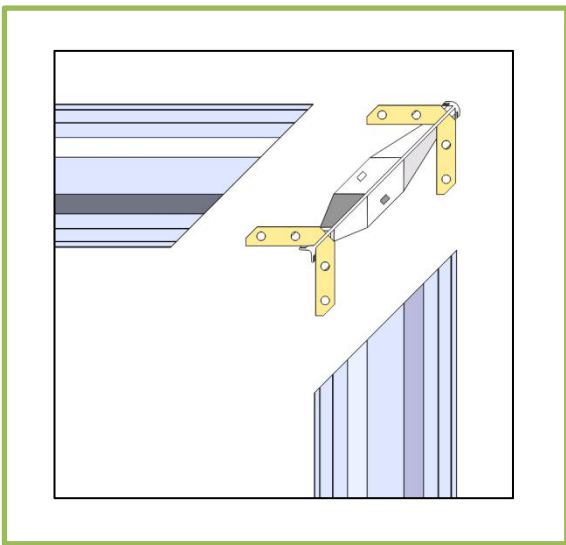
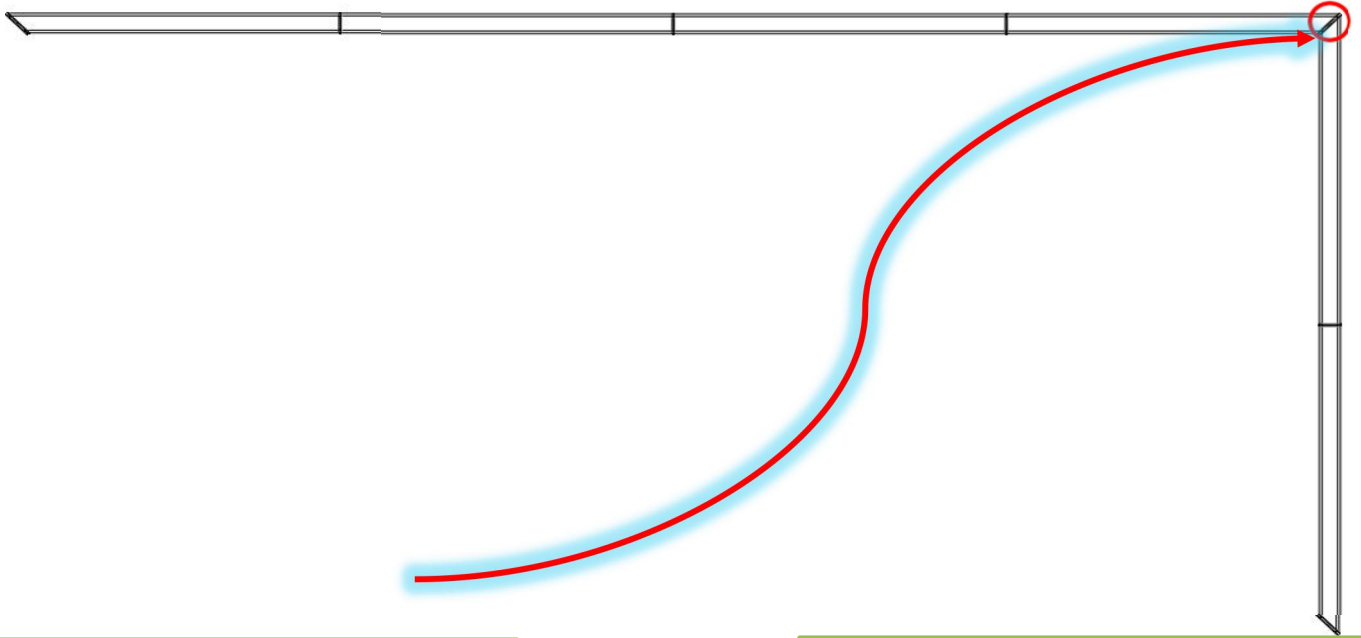
### 3 part for Inner Light



## Step 1 assemble the square lamp

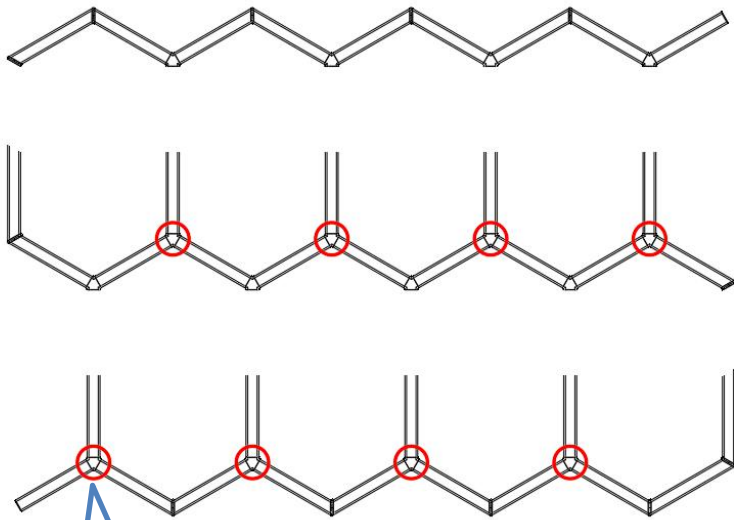
Connect 4 pieces of 1.175m light bars with — iron sheet and 180° connectors, to make 2 pieces of 4.71m light bars.



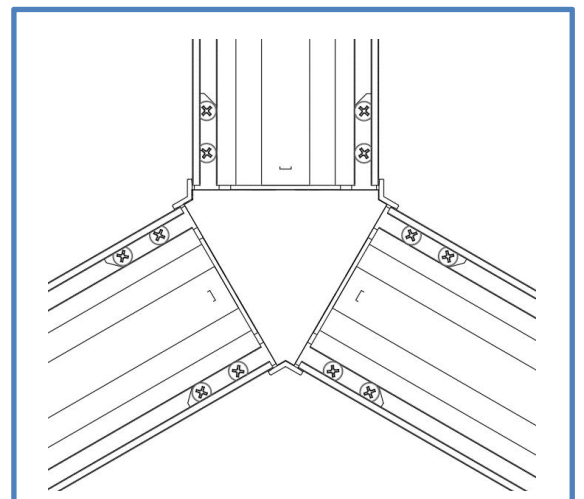
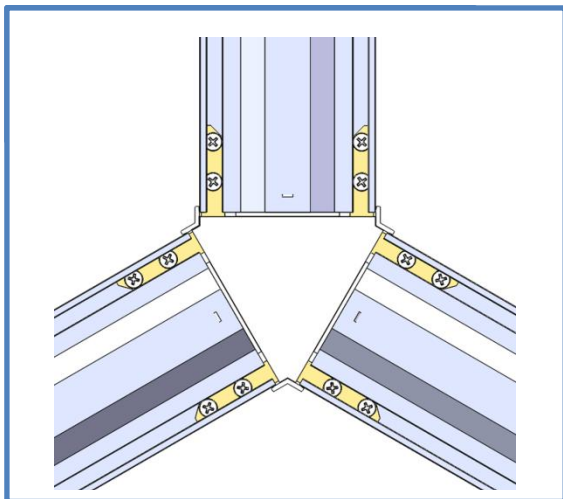
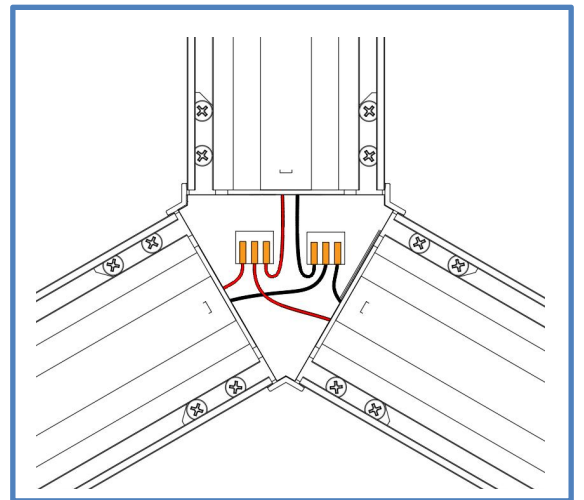
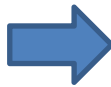
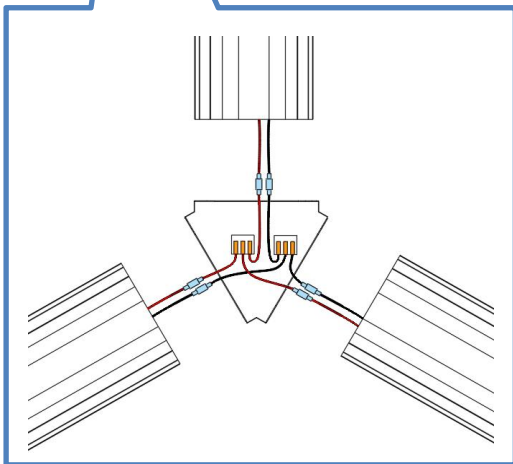
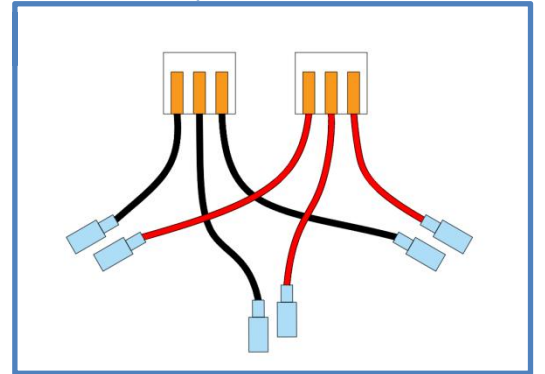


## Step 2 assemble the hexagon lamp

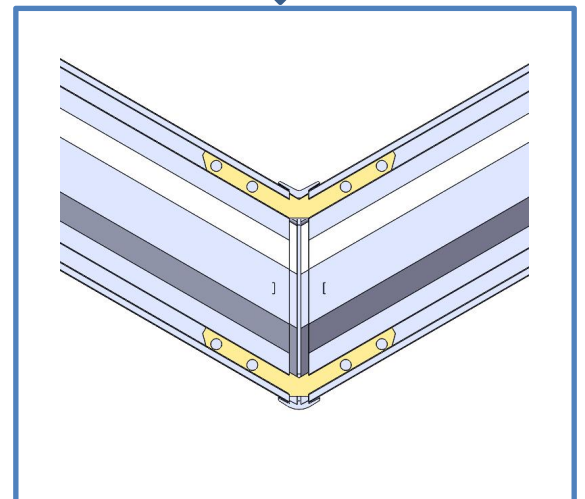
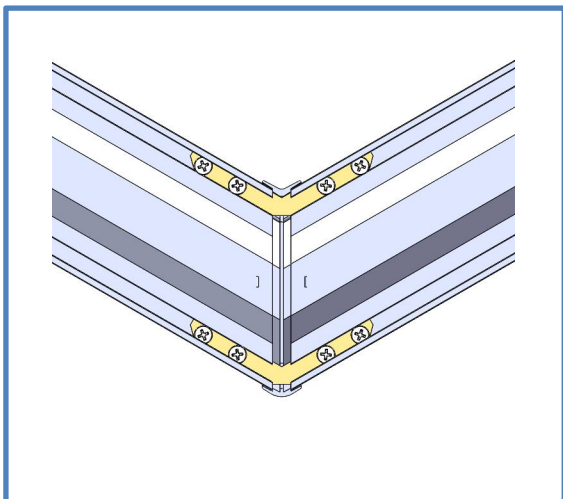
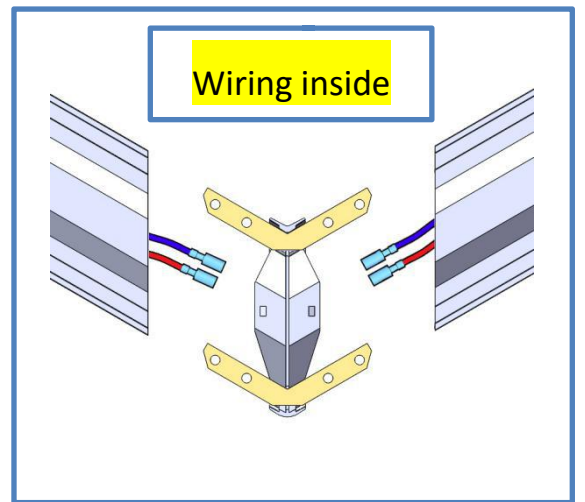
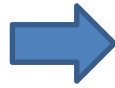
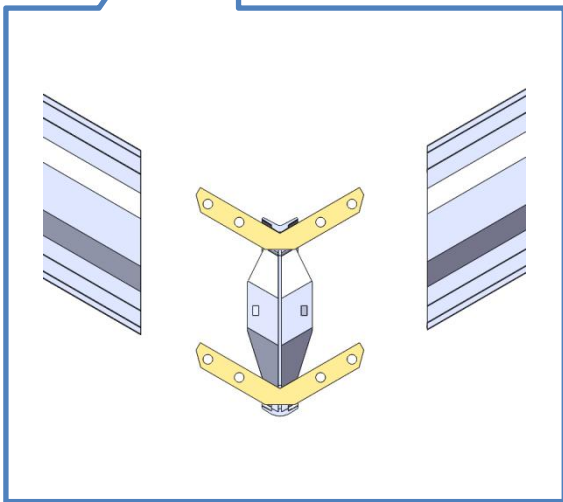
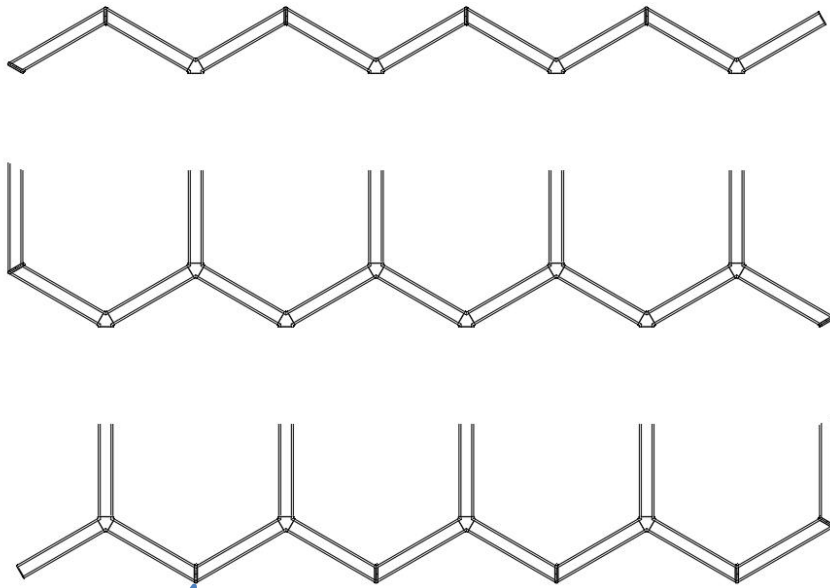
### Inner Part: Y connectors



Wiring inside with the quick union



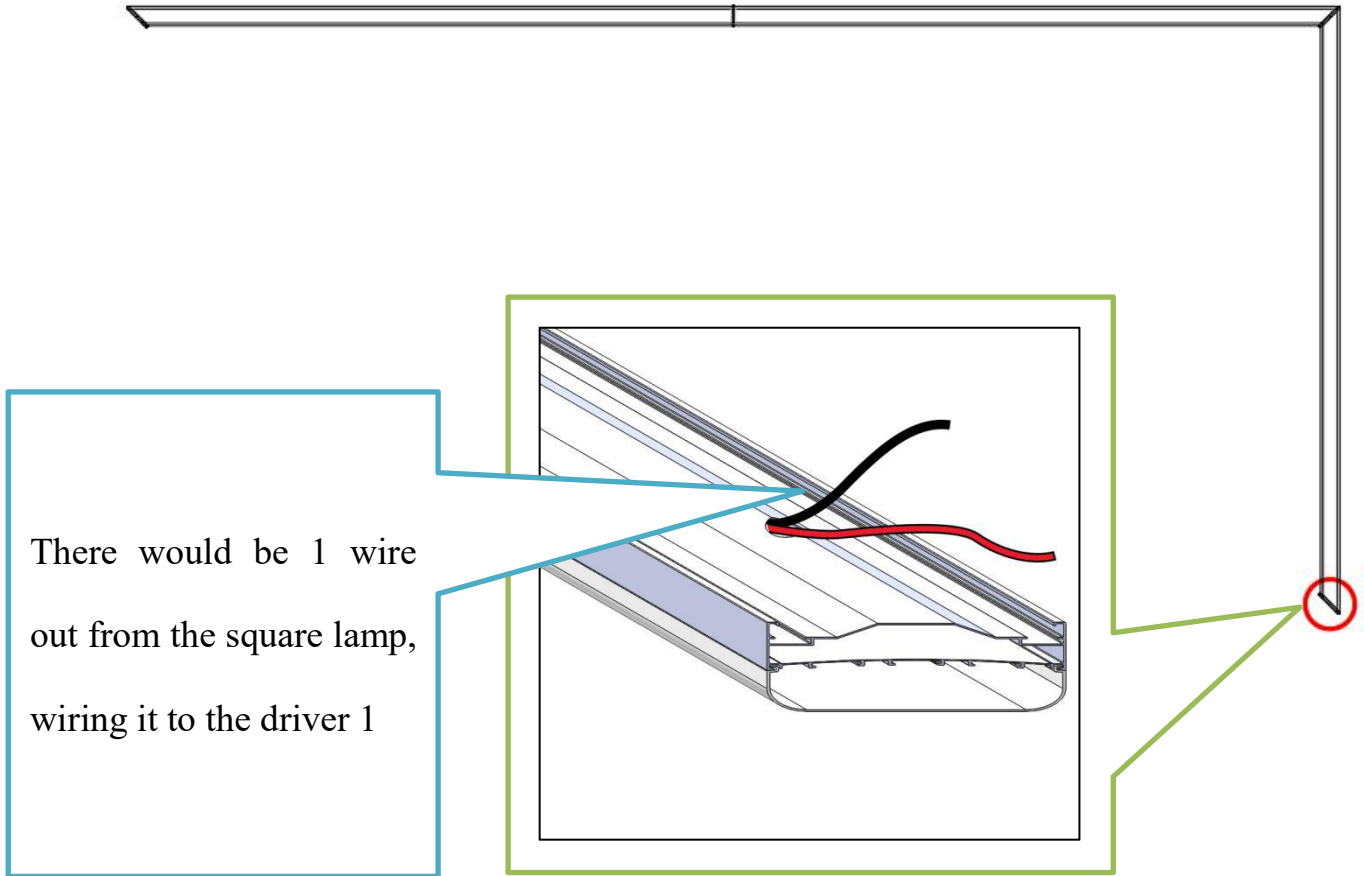
### Inner Part: 120 connectors





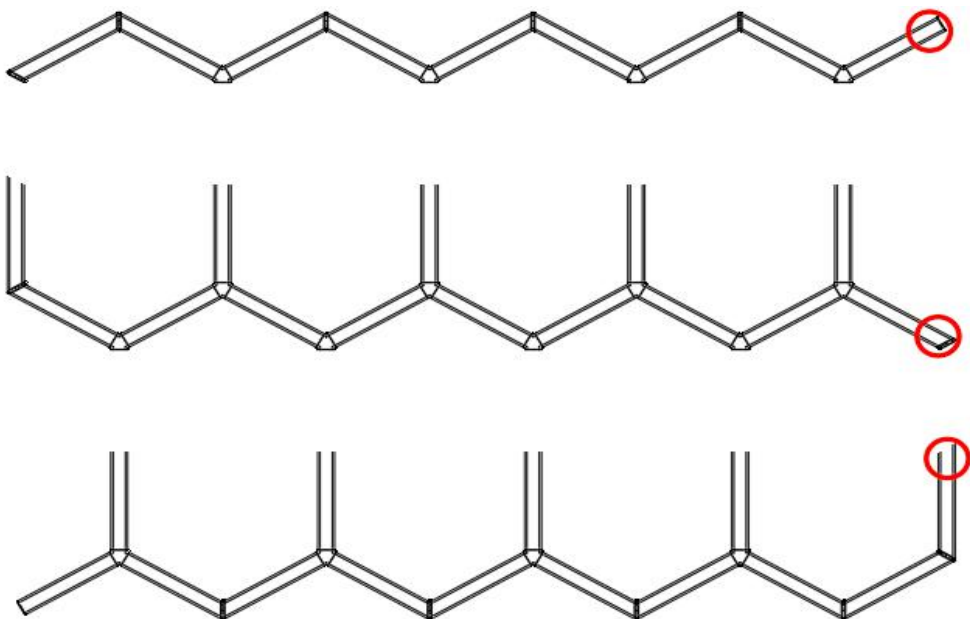
**Step 3 Circuit diagram ( Caution : Lamp bars for DC24V, cannot electrical to AC110V directly!! Please wiring into the drivers before connecting with AC110V power supply )**

**Outer part**



There would be 1 wire out from the square lamp, wiring it to the driver 1

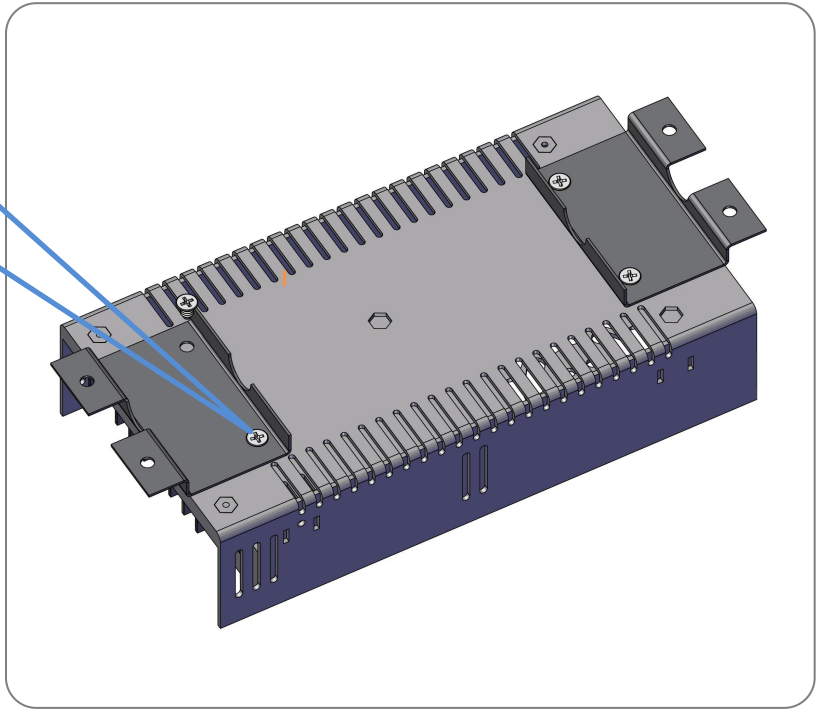
**Inner Part**



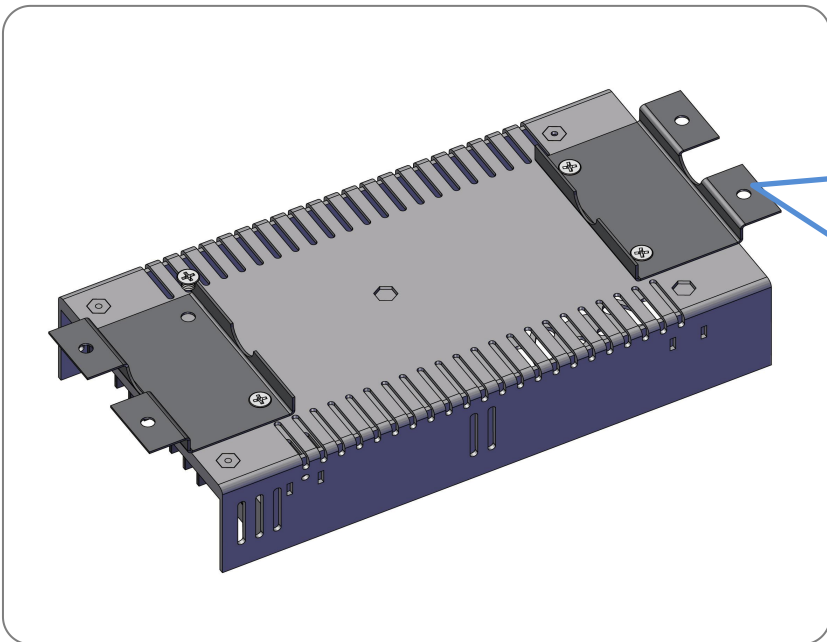
Hexagon lamp for 3 groups , different group do not wiring together. And electrical to driver 2/3/4 separately.

## How to fix the led driver on the lamp

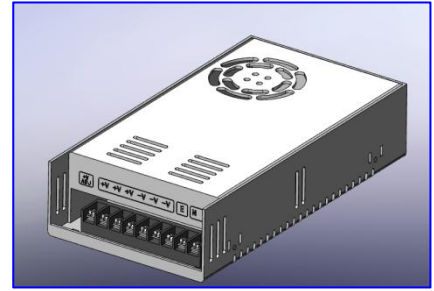
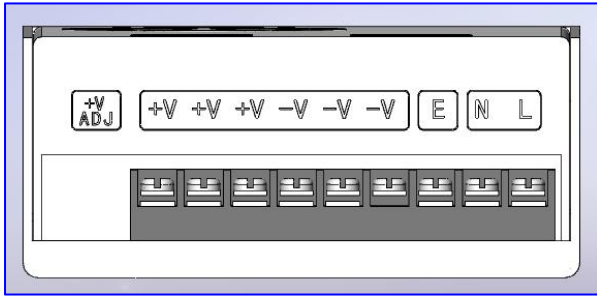
Screw the led driver mounting with countersunk screws



Screw the led driver on the lamp/wall with M4\*13mm cushioned screws



Driver shows: each driver cannot exceed 400W



**V+:** positive pole DC24V 【CONNECT WITH RED WIRE OF LAMPS】

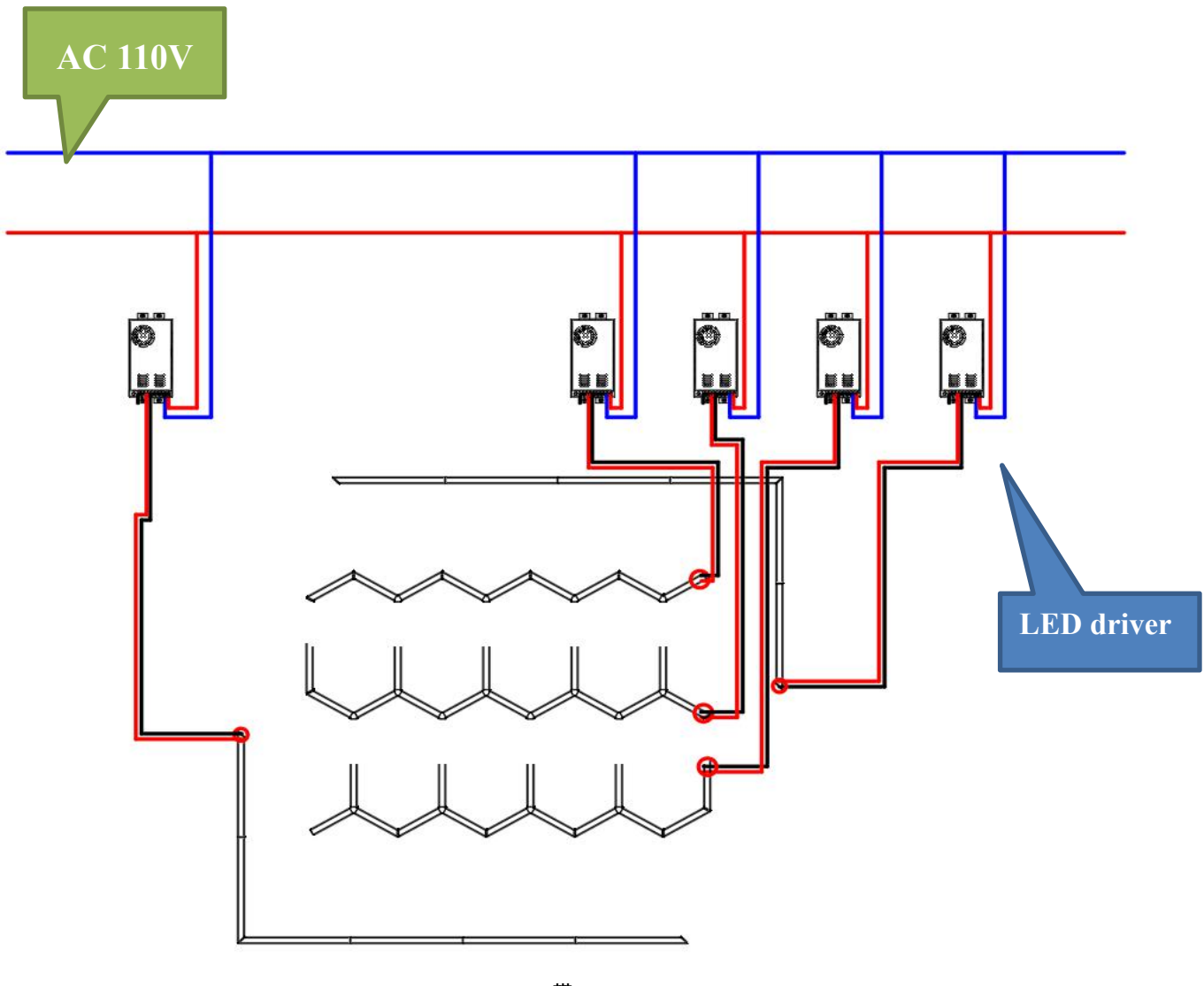
**V-:** negative pole DC24V 【CONNECT WITH BLACK WIRE OF LAMPS】

**E:** earth lead

**N:** null line AC110V

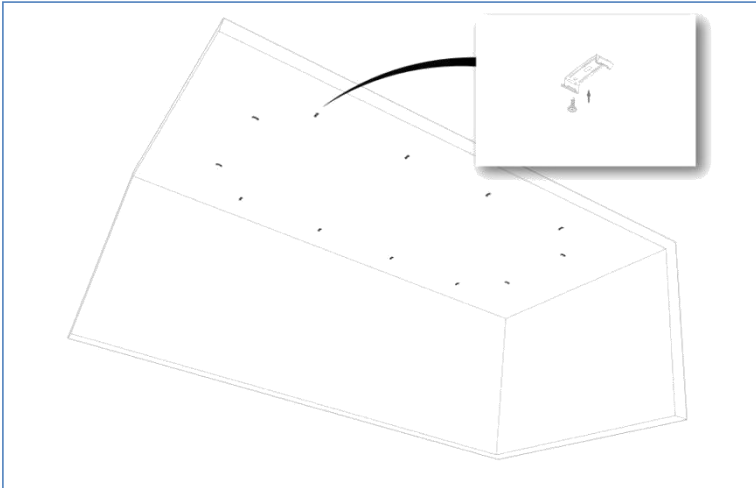
**L:** live wire AC110V

**Circuit diagram**

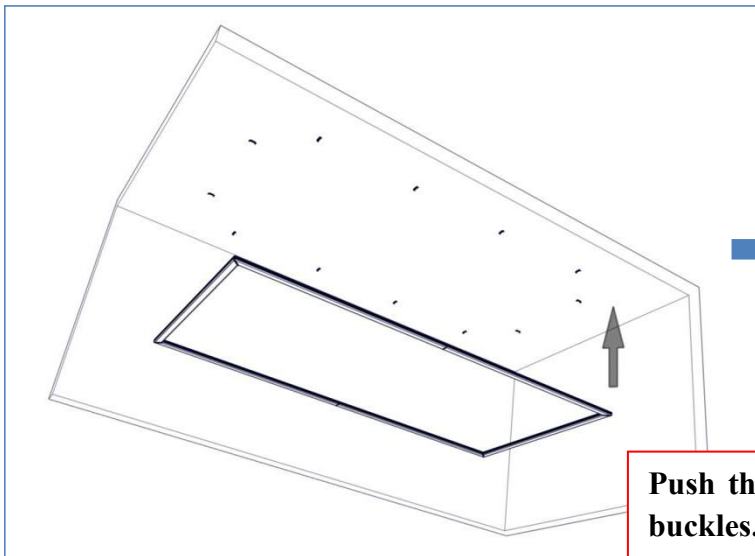


## Mounting Instruction

How to install the lamp to the roof.



**Drill holes for the plastic expansion bolt, then put the plastic expansion bolt into the holes, and then screw the buckles into the plastic expansion bolt with self-tapping screws.**



**Push the lamps into the buckles.**

