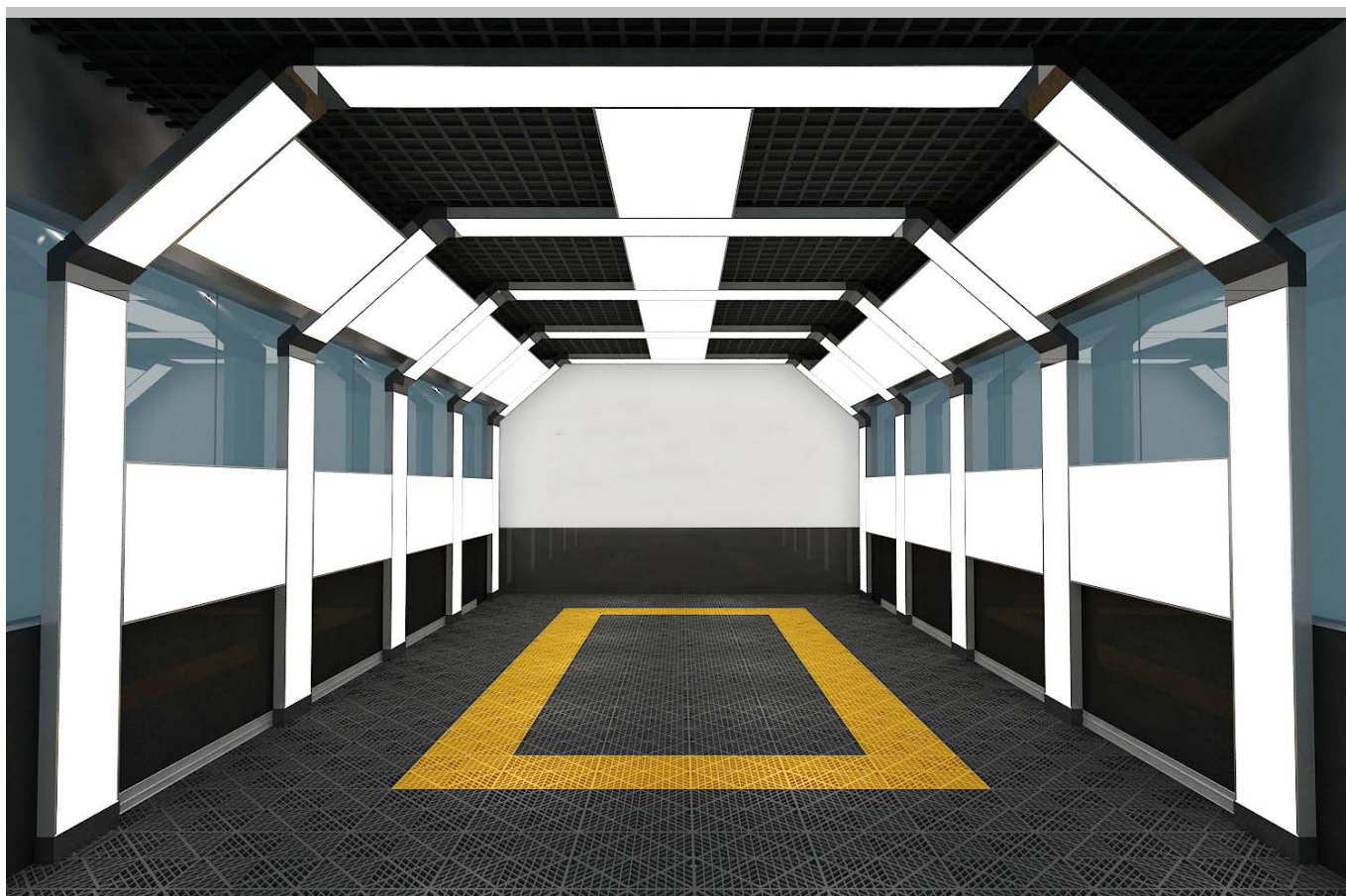


# Installation Instruction



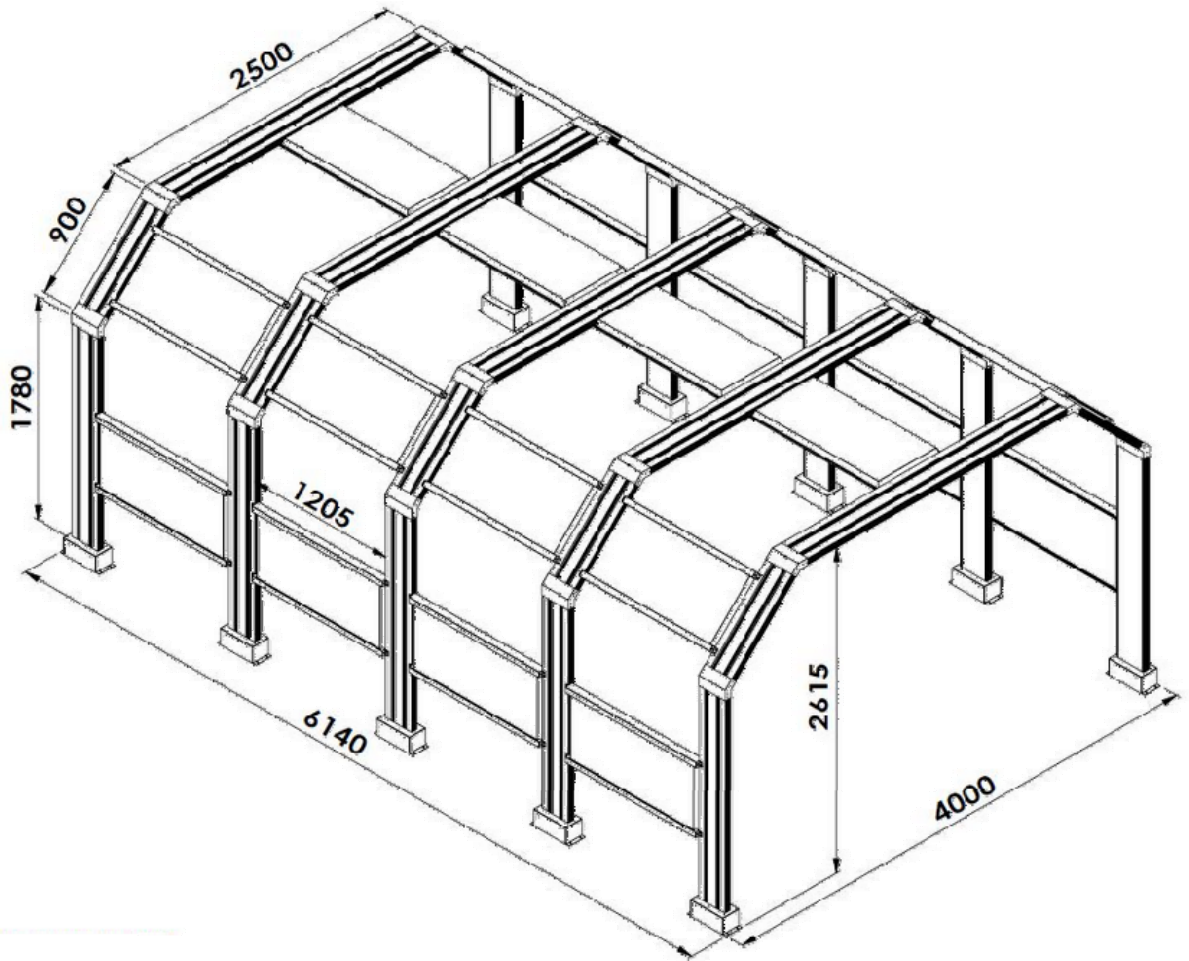
Only for reference! Please read this manual before assembling this product, and keep this for subsequent reference!

# Contents

1. Design Sketch.....	2
2. Parts List.....	3
3. Picture show.....	4
4. Technical Data.....	5
5. Assembling Instruction.....	5
6. Circuit Diagram.....	10
7. Remark.....	11

## Design sketch

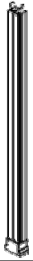
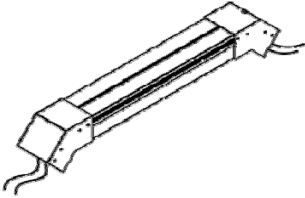
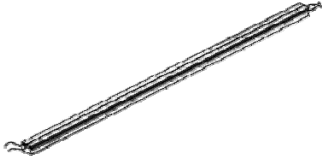
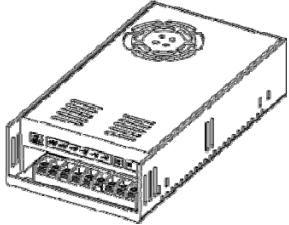
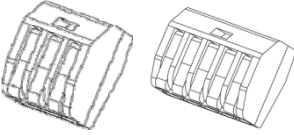
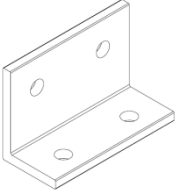
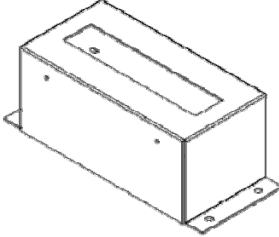
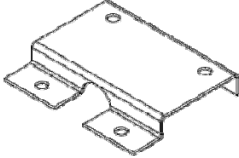

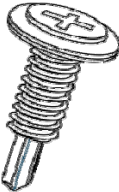

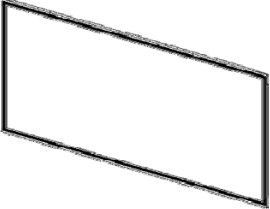
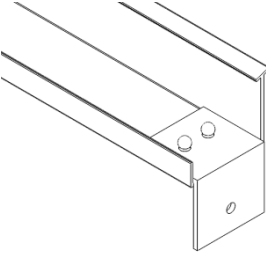



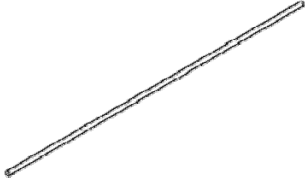
5 groups (Please carefully read the “**Circuit Diagram**” before installing)



## Parts List

No.	Name	Specification	Qty	Unit	Pic.
1	Post led light bar	L:1780mm W: 240mm	10	piece	L1
2	Sloped led light bar	L:900mm W: 240mm	10	piece	L2
3	Top led light bar	L:2500mm W: 100mm	5	piece	L3
4	Driver for light bars	400W	10	piece	D1
5	3-terminal quick union	Orange and gray	40	piece	K1
6	5-terminal quick union	Orange and gray	14	piece	K1
7	0.6m lighting box	0.6x1.2m white	20	piece	J1
8	Driver for lighting box	AC220v 40w	40	piece	J3
9	Connector for lighting box	1.2m	40	piece	J2
10	U connectors	1.445m	16	piece	X2
11	Plastic connectors	L: 1.2m & 1.13m Gray	36	piece	X1
12	Wires for lighting box	L: 1.5m 1with2	40	piece	J4
13	Mounted plate	for light bars' drivers	20	piece	F1
15	L Aluminum	4 holes 30*20*45mm	20	piece	G3
16	Countersunk screws	4x4mm for mounted plate	40	piece	C1
17	Cushioned screw	4x15mm for connectors of lighting box	200	piece	S1
18	Self tapping screw	4x13mm for connectors of light bars and tool board	250	piece	Z1
19	Base	For post led light bar	10	piece	G1
20	Installation instruction	-	1	piece	C1

**Picture show**

<p>L1</p> 	<p>L2</p> 	<p>L3</p> 	<p>D1</p> 
<p>K1</p> 	<p>G3</p> 	<p>G1</p> 	<p>F1</p> 
<p>S1</p> 	<p>Z1</p> 	<p>C1</p> 	
<p>J1</p> 	<p>J2</p> 	<p>J3</p> 	<p>J4</p> 
<p>X2</p> 	<p>X1</p> 		

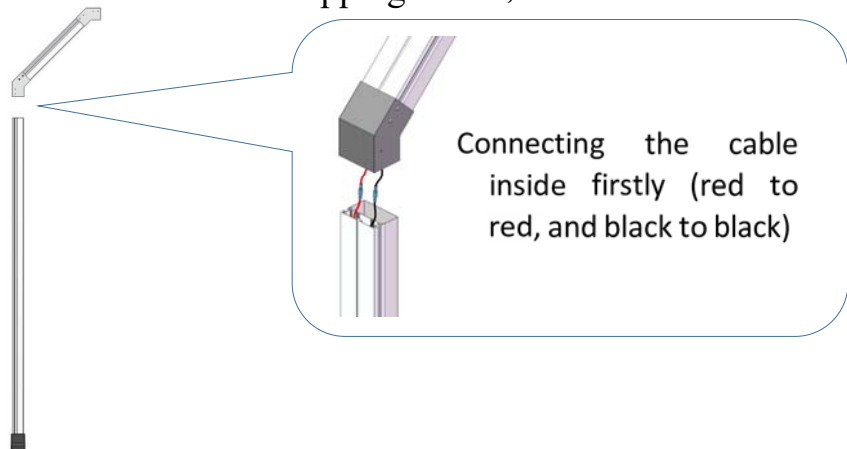
## Technical Data

Voltage	AC230V
Power	2857W
Current	13A
Width	100mm +600mm
Luminous Flux	110-120lm/w
CRI.	>90
CCT.	6500K (White)
Material	Aluminium+PVC cover

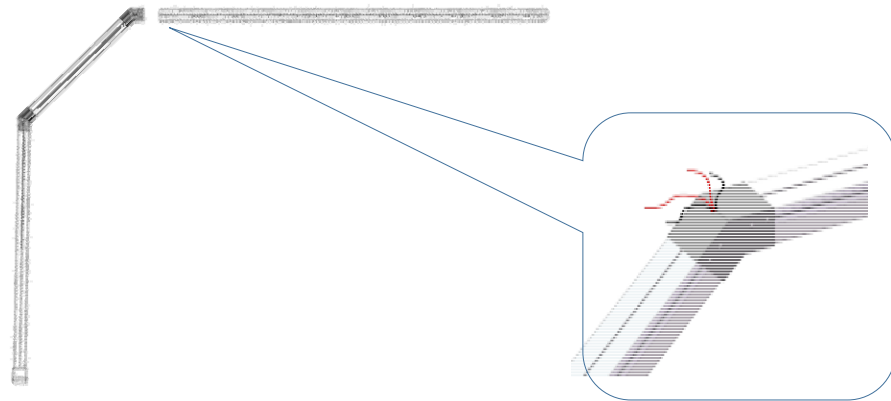
## Assembling instruction

### A.How to assemble the tunnel light;

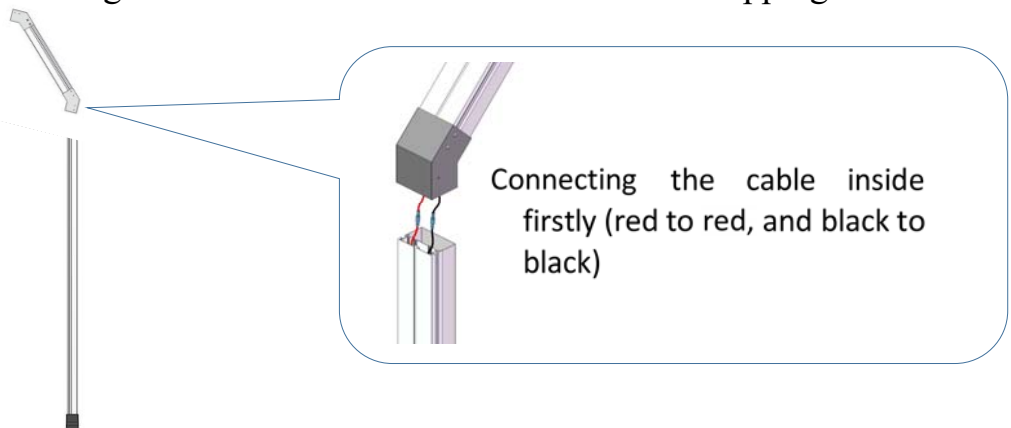
Step 1 Sloped led light bar 900mm (**without the cable entry**) connect with the post led light bar 1780mm, and screw it with self tapping screw;



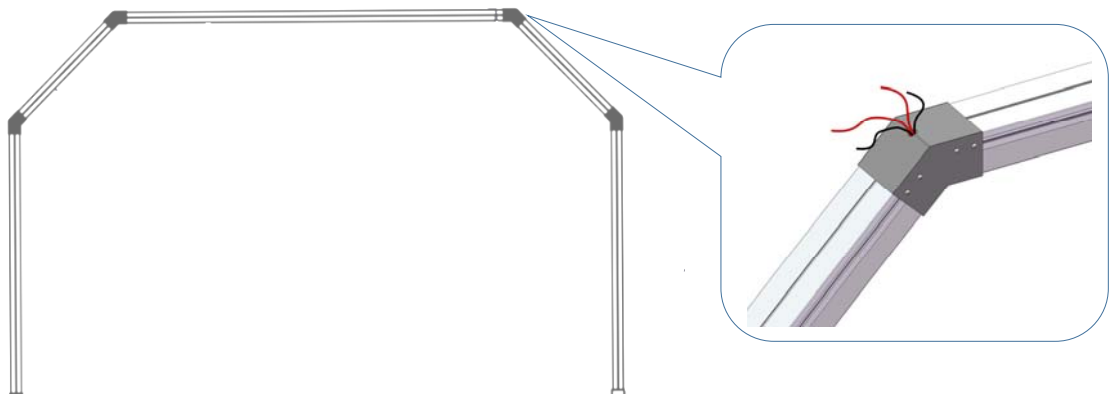
Step 2 Then, connect the other side of the sloped led light bar 900mm (**with the cable entry**) with the top led light bar 2500mm, take out the wires of the sloped led light bar and the top led light bar through the cable entry on the connectors, and screw it with self tapping screw;



Step 3 as step1, connect another sloped led light bar 900mm (**without the cable entry**) with the post led light bar 1780mm, and screw it with self tapping screw;

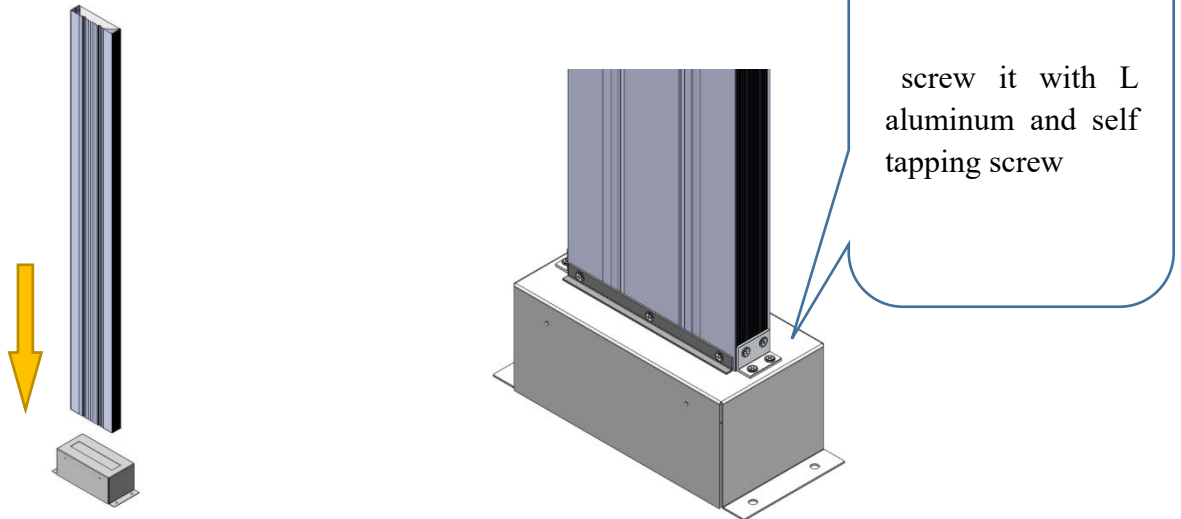


Step 4 Connect the parts of step2 &step3 , take out the wires of the sloped led light bar and the top led light bar through the cable entry on the connectors, and screw it with self tapping screw;

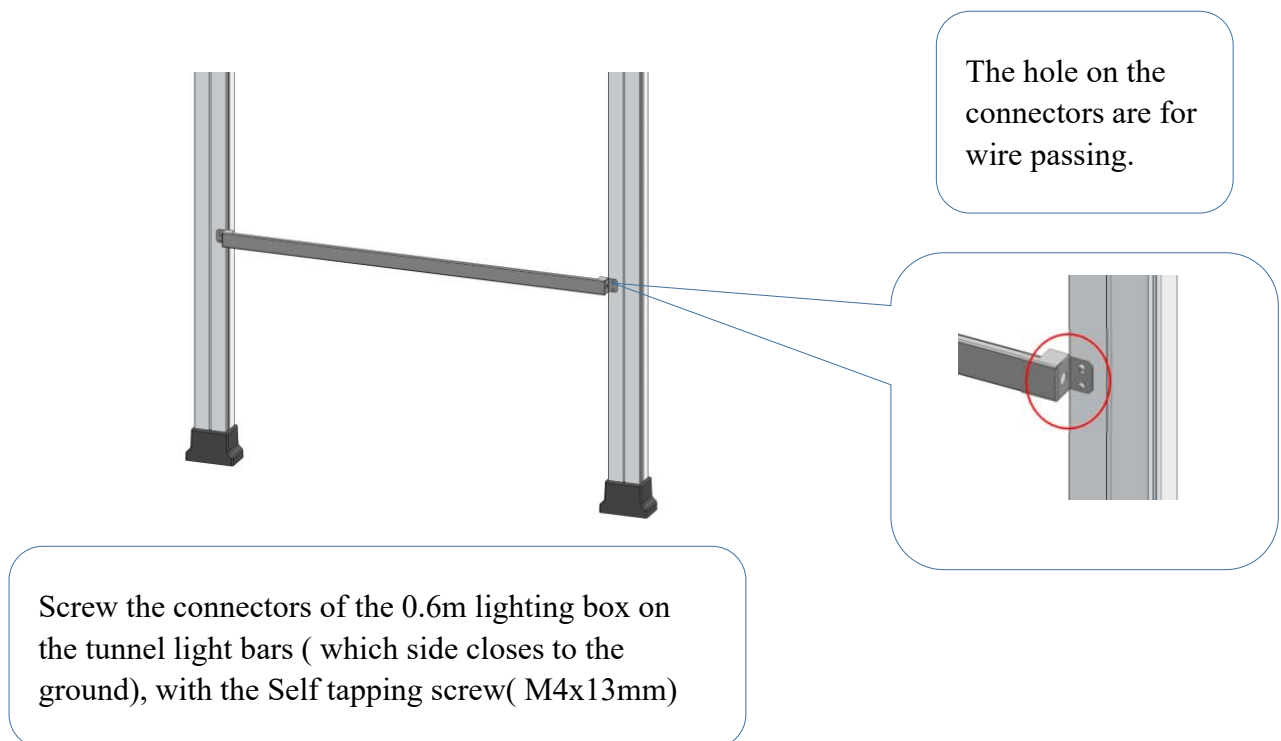


Step 5 connect all the light bars as above to form 5 groups of the same structure as step4 shows.

## B. How to assemble the Base;



## C. How to assemble the 0.6 led light;

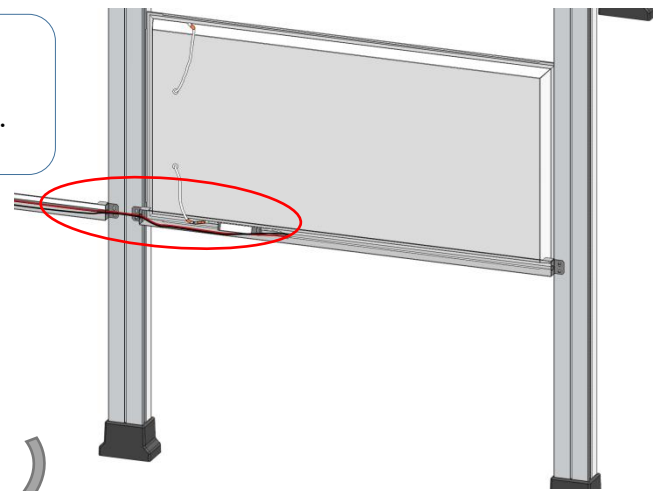




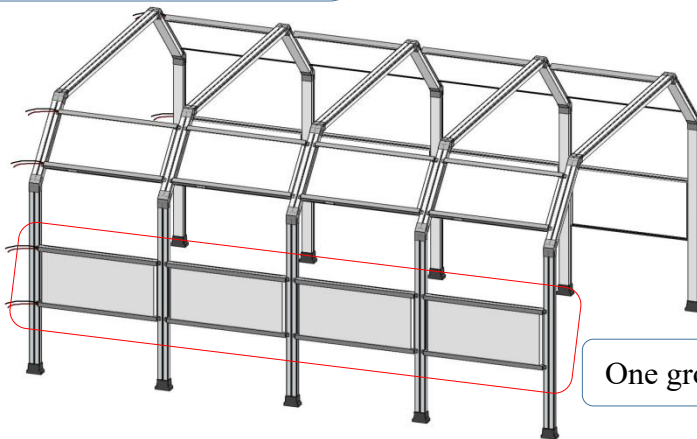
As pic shows, put 0.6 lighting box on the connectors, and wire the lighting box with the drivers of it.



Hide the drivers and wires in the connectors.



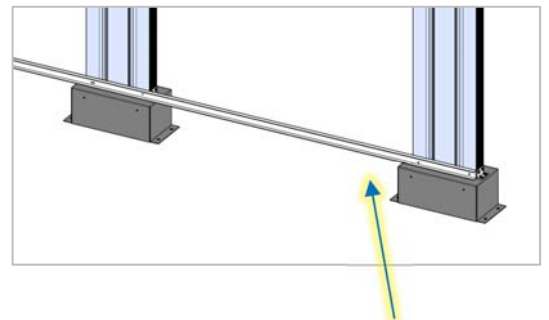
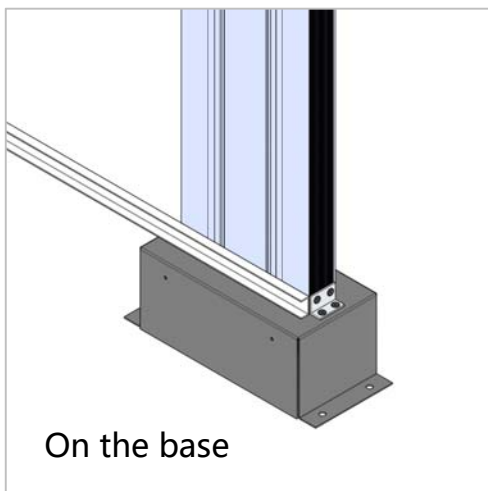
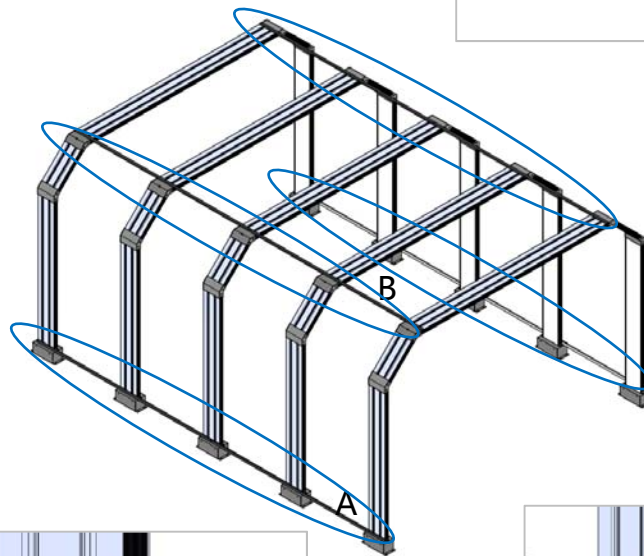
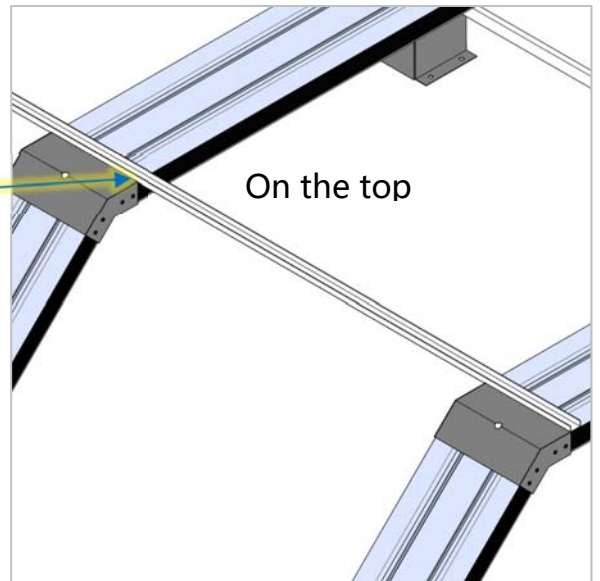
See as pic shows, there should be 2 wires out for each group of the panel light.

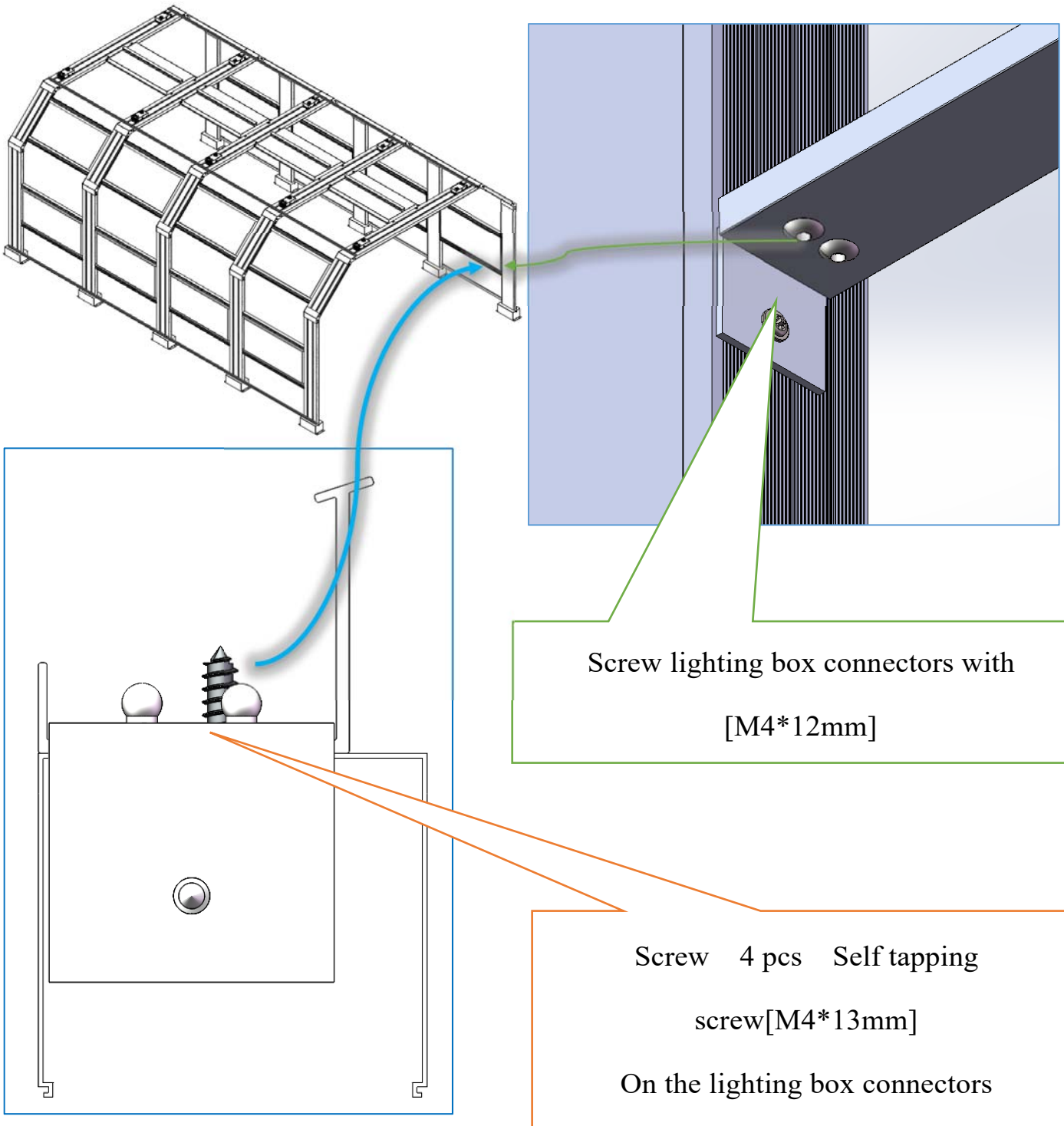


One group

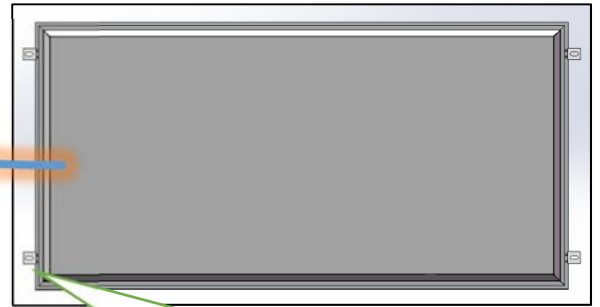
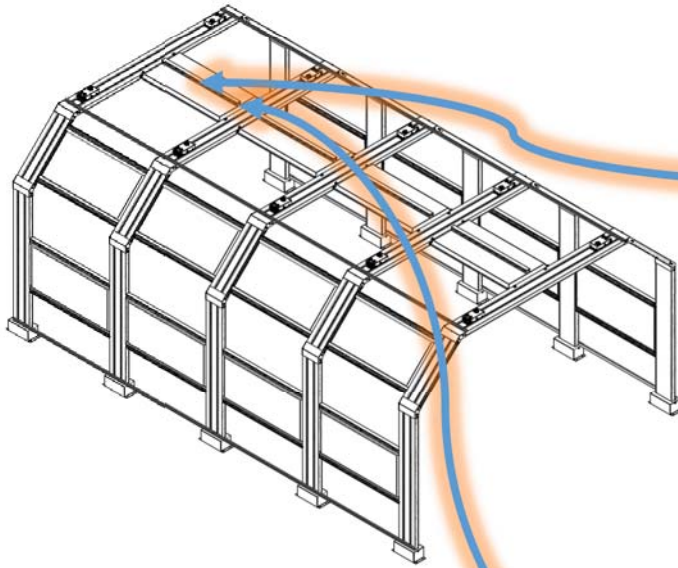
## D. How to assemble the connectors;

Screw U connectors with  
4x13mm Self tapping screw

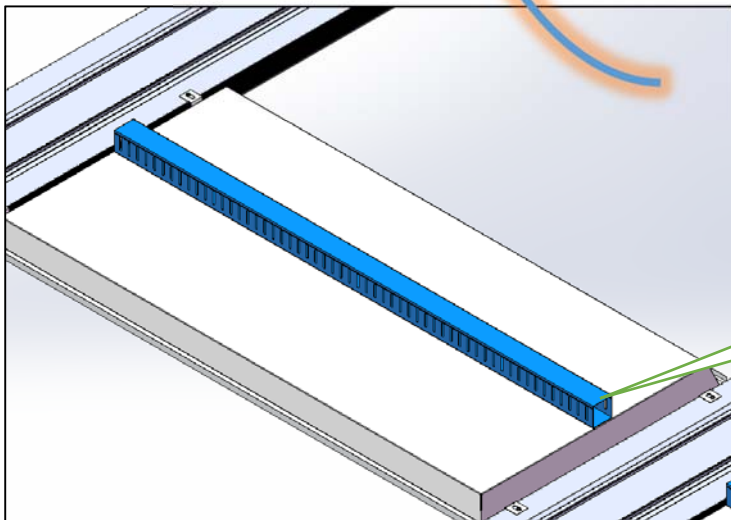




### E. How to assemble the connectors;

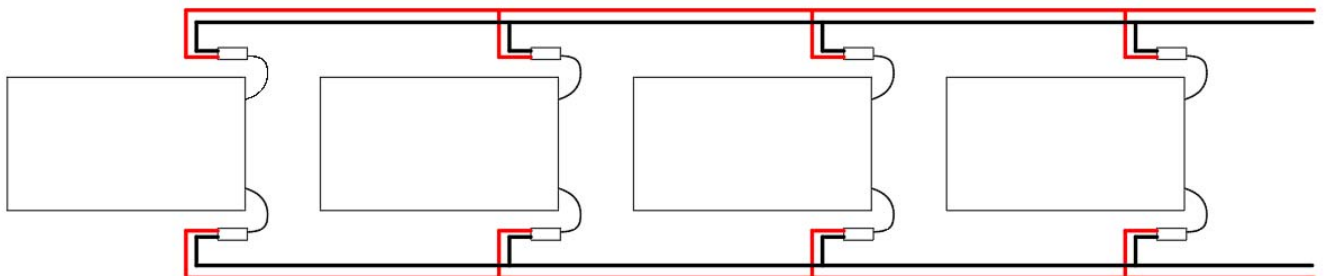


Screw the top lighting box with the cushioned



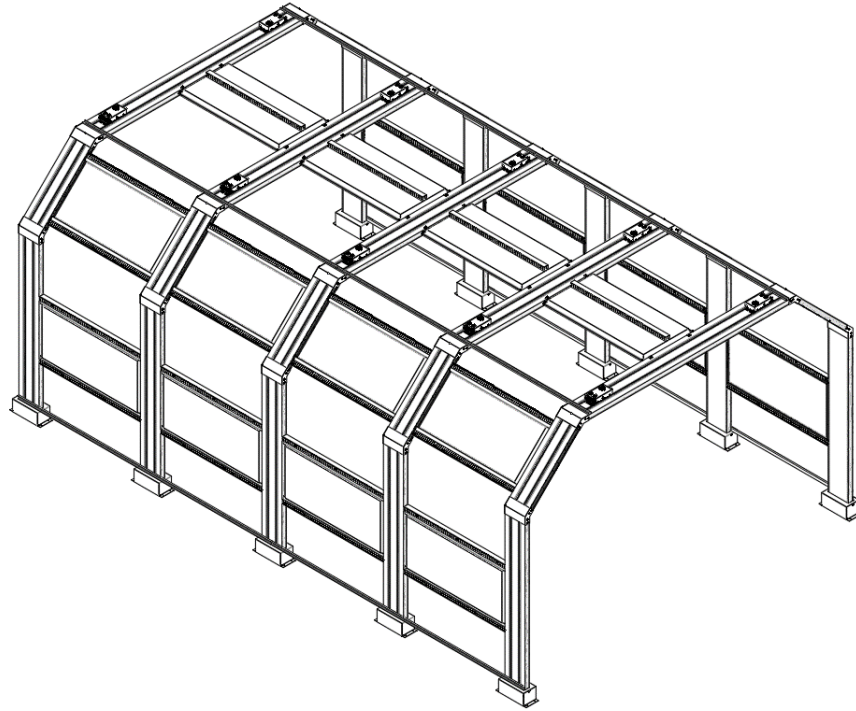
Screw 1.13m Gray plastic connectors on the top

### Circuit Diagram for 0.6m lighting box



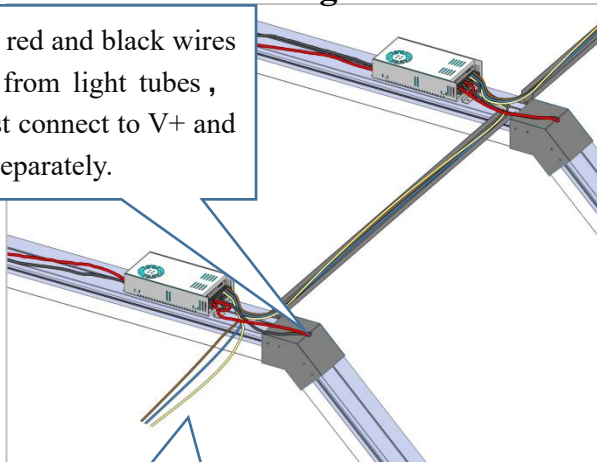
## Circuit Diagram

There are 10 wire entries for the tunnel light, and each for 2 wires. Parallel connecting as follow:

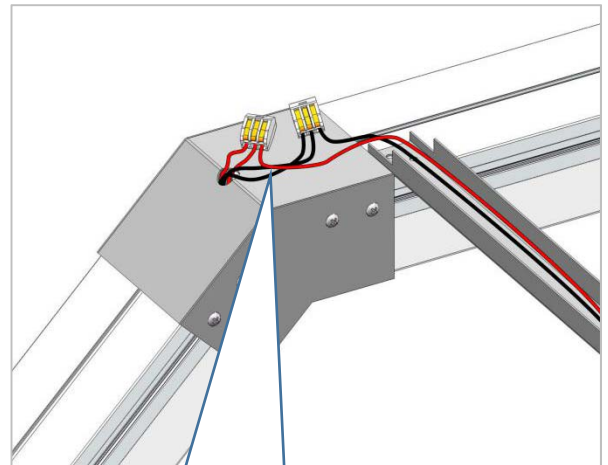


### Detailed drawing

The red and black wires out from light tubes, must connect to V+ and V- separately.



Connect the L terminal, N terminal and earth terminal with AC230V/Control Switch with 2.5mm<sup>2</sup> wires.

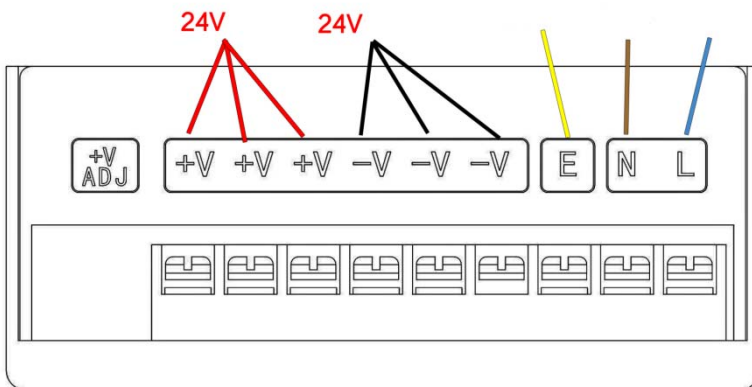
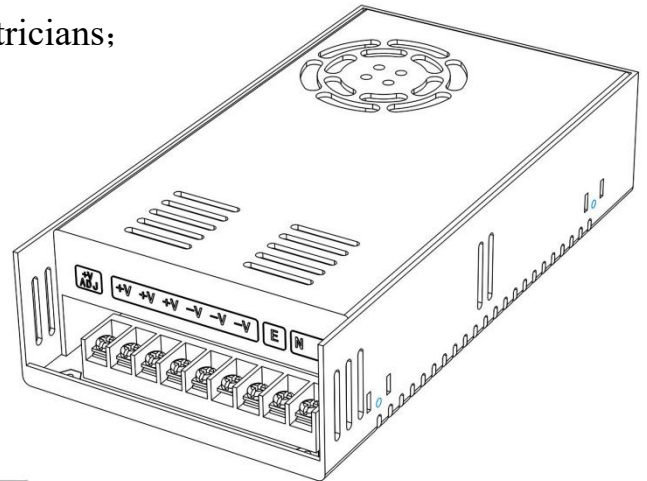


PS: the quick union would help for the wires connection.

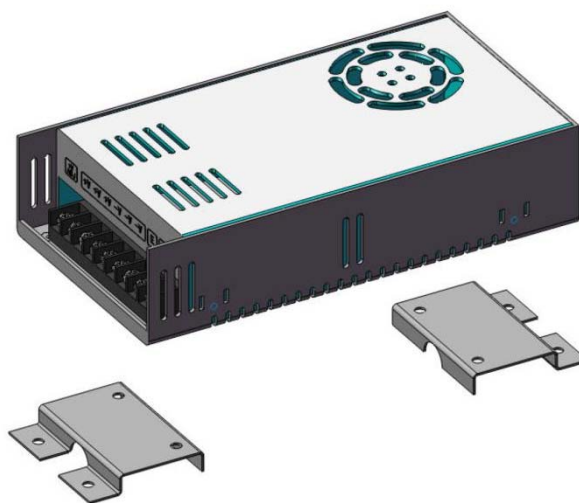
## Remark

1. the red wires connect with the positive pole, and black wire connect with the negative pole;
2. each driver cannot control the light bar more than 400W;
3. this product should be installed by trained electricians;

## Driver Show:



**Caution:** The driver should be used in ventilated and dry environment. And please remove the dust with air gun every month.



Fix the 10 drivers on the tunnel top with countersunk screws (M4x4mm).