



Car Workshop Light Installation Manuel

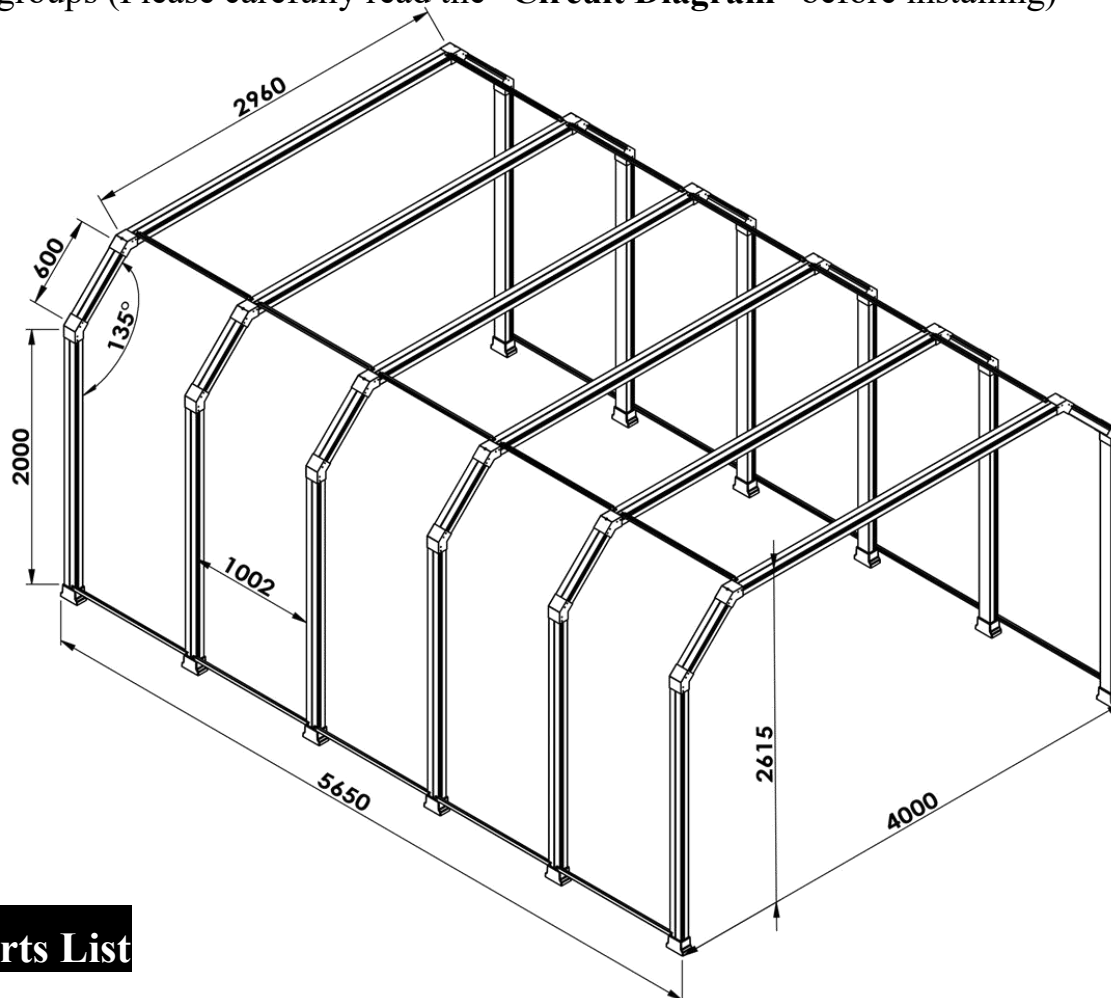
Model: ZG/E1009A

Contents

1. Design Sketch.....	2
2. Parts List.....	2
3. Picture.....	3
4. Technical Data.....	3
5. Assembling Instruction.....	4
6. Circuit Diagram.....	6
7. Remark.....	6

Design sketch

6 groups (Please carefully read the “Circuit Diagram” before installing)


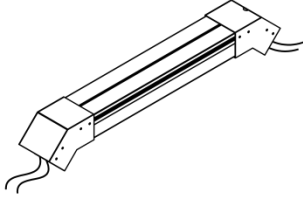

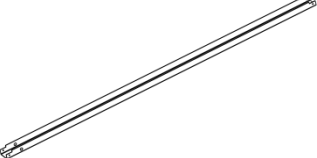
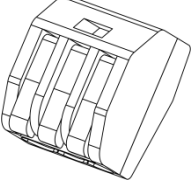
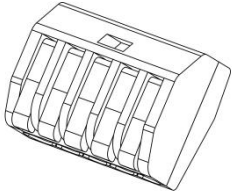
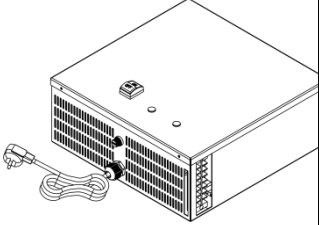
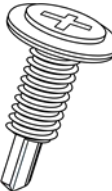
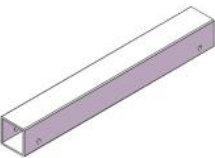


Parts List

NO	Name	Specification	Qty.	Unit	Pic No.
1	post led light bar	L:2000mm W: 100mm	12	piece	L1
2	sloped led light bar	L:600mm W: 100mm	12	piece	L2
3	top led light bar	L:2960mm W: 100mm	6	piece	L3
4	3-terminal quick union	Orange and gray	16	piece	K1
5	5-terminal quick union	Orange and gray	12	piece	K2
6	U connectors	L 2800mm	8	piece	G1
7	splicer for U connectors	25*200mm	4	piece	G2
8	control system	1600W 23.5V	1	piece	D2
9	self drilling screw A	4x16mm	72	piece	Z1
10	self drilling screw B	4x25mm	96	piece	
11	installation instruction	-	1	piece	-

GONENGO LED LIGHTING

Picture

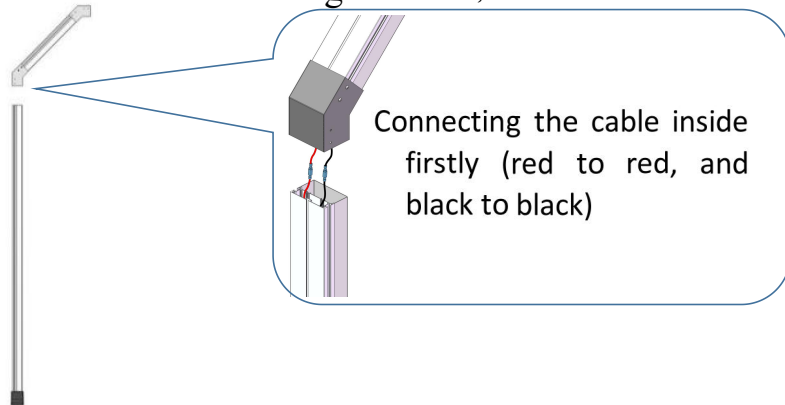
L1	L2	L3	G1
			
K1	K2	D2	Z1
			
G2			
			

Technical Data

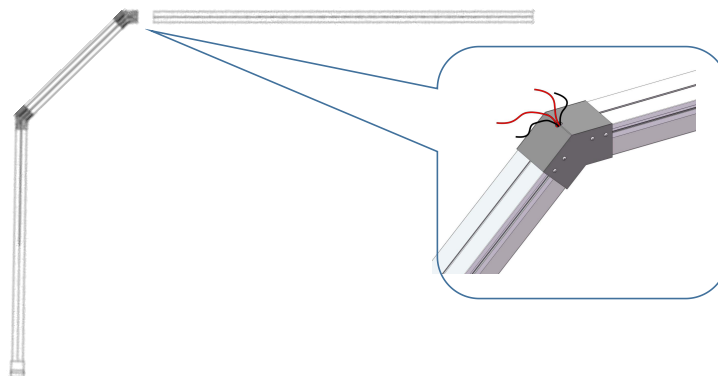
Voltage	AC220V
Power	1566W
Current	7.1A
Width	100mm
Luminous Flux	110-120lm/w
CRI.	>90
CCT.	6500K (White)
Material	Aluminium+PVC cover

Assembling instruction

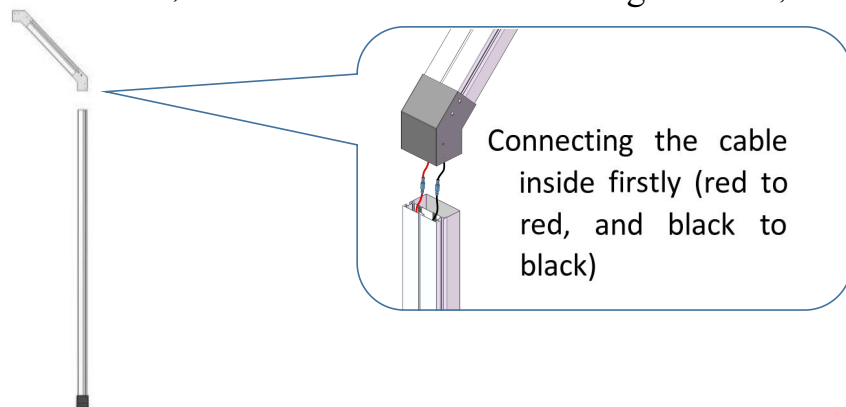
Step 1 Sloped led light bar 600mm (**without the cable entry**) connect with the post led light bar 2000mm, and screw it with self drilling screw B;



Step 2 Then, connect the other side of the sloped led light bar 600mm (**with the cable entry**) with the top led light bar 2960mm, take out the wires of the sloped bar and the top bar through the cable entry of the connectors, and screw it with self drilling screw B;

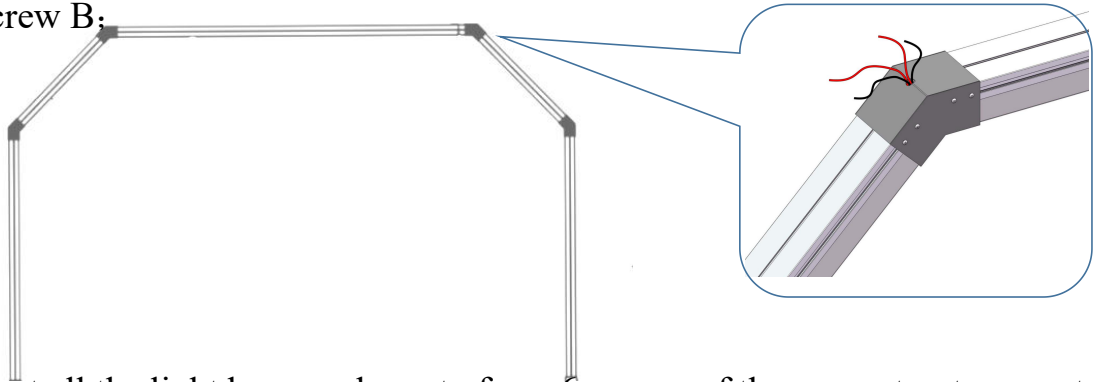


Step 3 as step1, connect another sloped led light bar 600mm (**without the cable entry**) with the post led light bar 2000mm, and screw it with self drilling screw B;

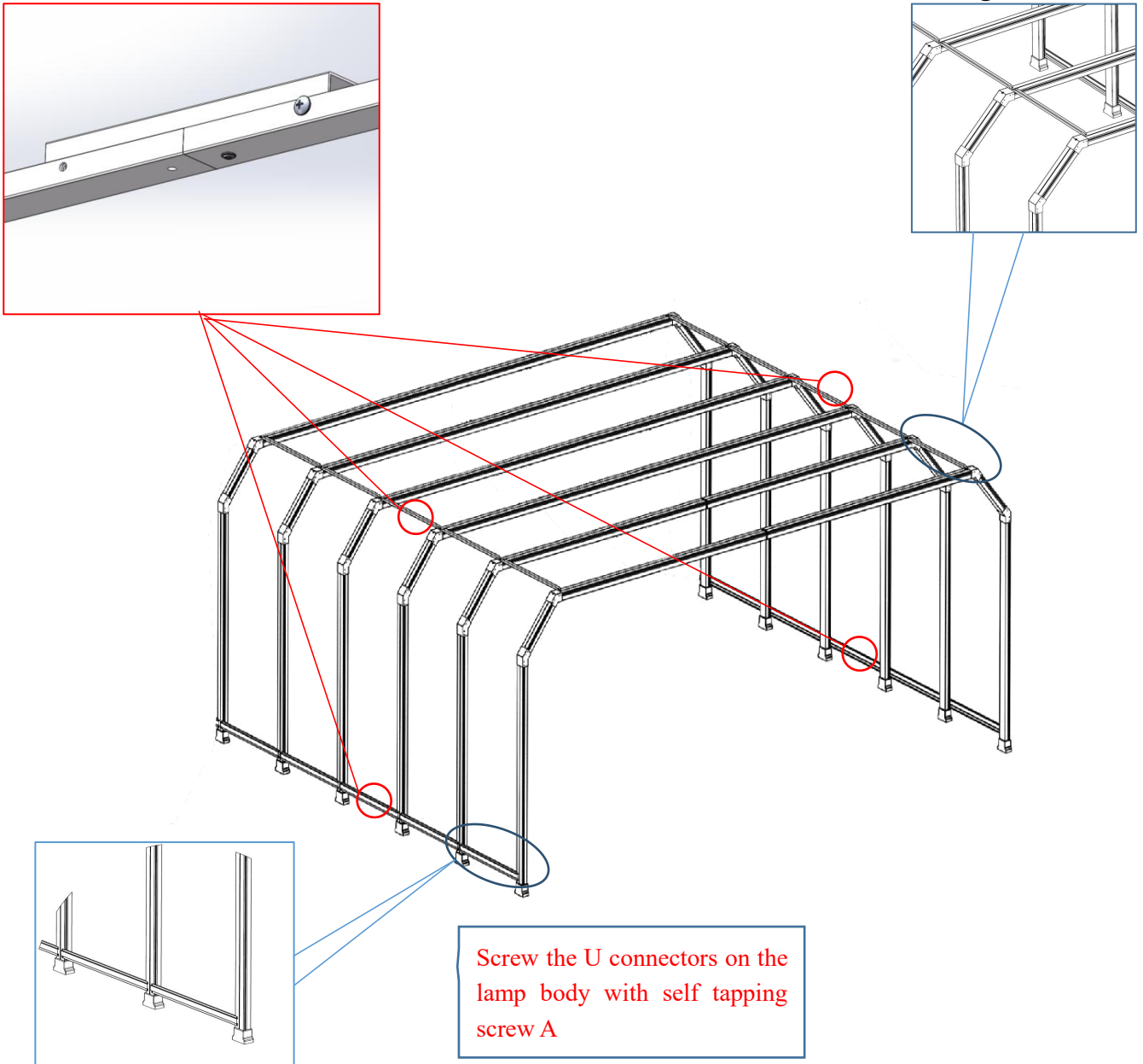


GONENGO LED LIGHTING

Step 4 Connect the parts of step2 and step3, take out the wires from the sloped led light bar and the top led light bar through the cable entry on the connectors, and screw it with self drilling screw B;



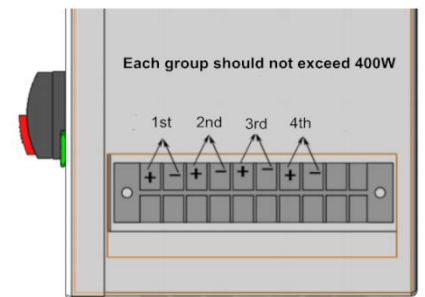
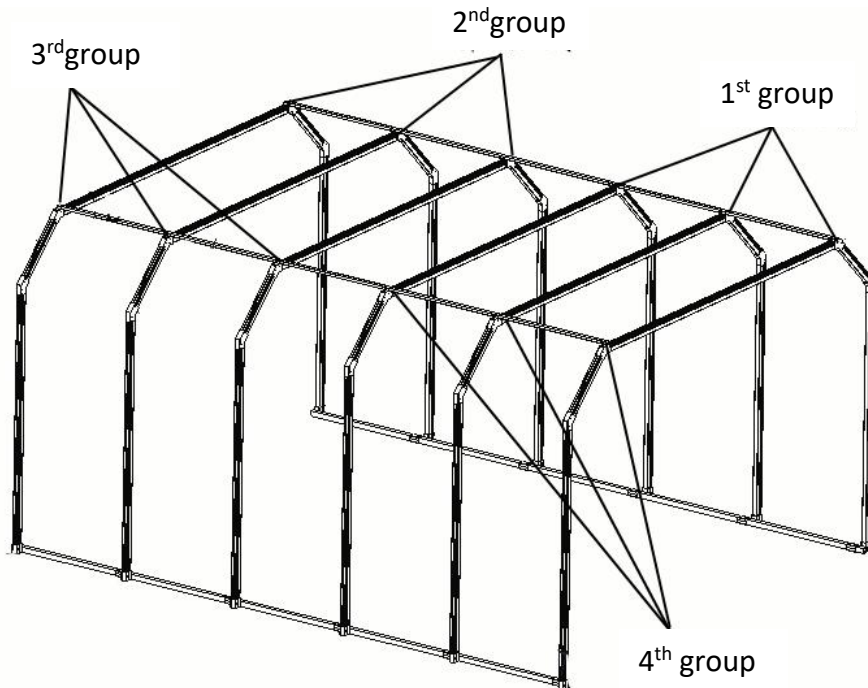
Step 5 connect all the light bars as above to form 6 groups of the same structure as step4 shows, and then fix the U connectors as follow, screw them with self drilling screw A:



Circuit Diagram

There are 12 wire entries for the whole set, and each for 2 groups of wires out.

Parallel connecting as follow:



The 1st to 4th group of wire should connect with corresponding terminal at the control system separately, red to V+, and black to V-;

Caution: The control system should be used in ventilated and dry environment. And please remove the dust with air gun every month.

Caution!!!

1. the operating voltage of led light bars is DC24V, do not wiring the lighting structure to the AC voltage directly without voltage transformation of the control system;
2. each terminal on the control system cannot control the light bar more than 400W;
3. this product should be installed by trained electricians;