

FR-3500 PCB cleaning machine

equipment
overview

Full-automatic PCB board cleaning machine is suitable for on-line cleaning of PCB pad surface before solder paste printing or adhesive coating of small board chips, dust, fibers, hair, skin debris, metal micro-particles and other foreign matter, to ensure that the PCB surface is in a clean state, in advance to eliminate the false soldering, empty soldering, warping, deflection and other soldering defects, so as to reduce the hidden danger and improve product quality. Specialized equipment developed and designed according to the needs of FRT production line PCB cleaning. Standard equipped with de-static function, completely eliminate static interference. Contact cleaning method, cleaning rate of more than 99%, to ensure efficient, stable and long-lasting cleaning effect. The

PCB cleaning machine

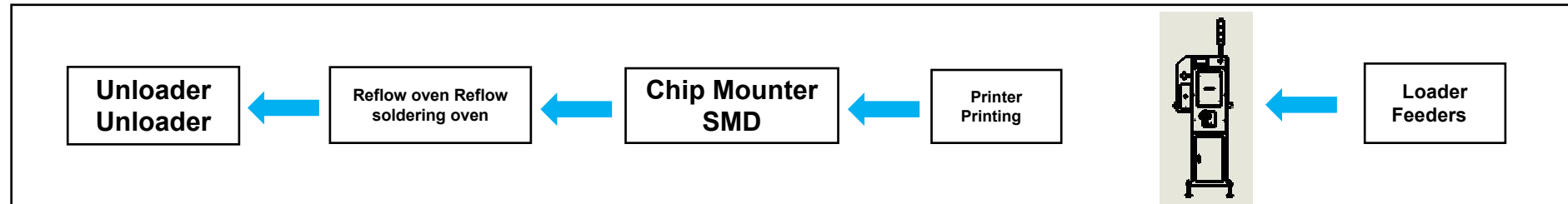
FR-3500



FR-3500 PCB cleaning machine

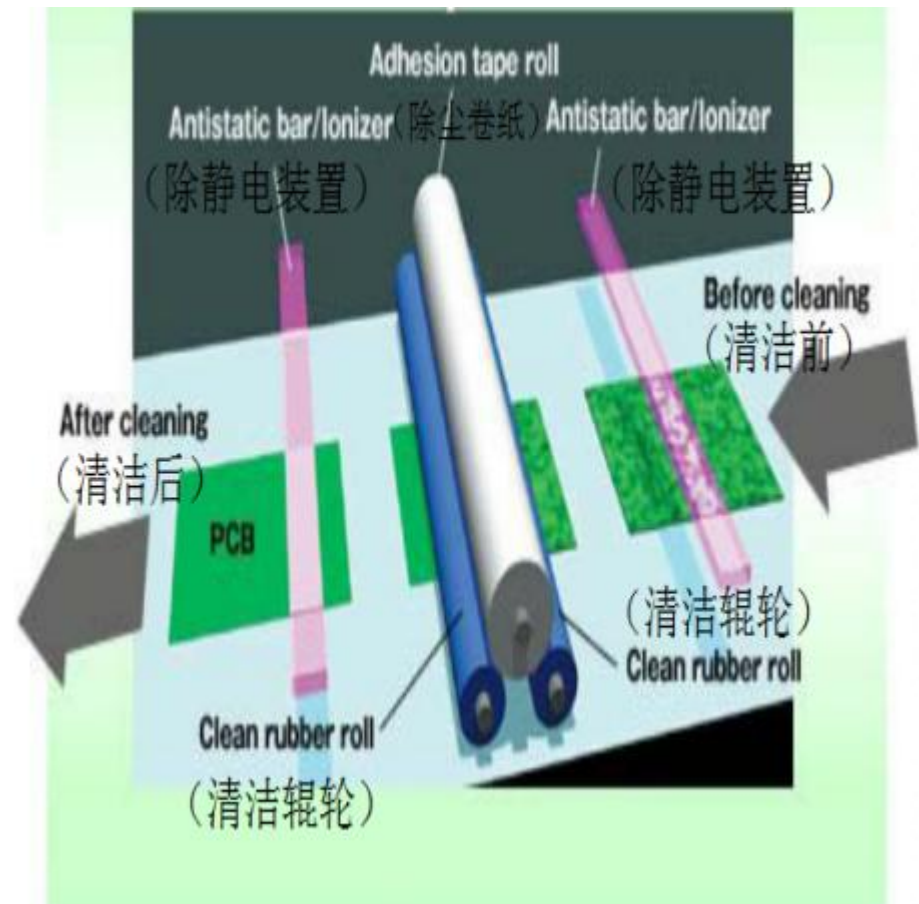
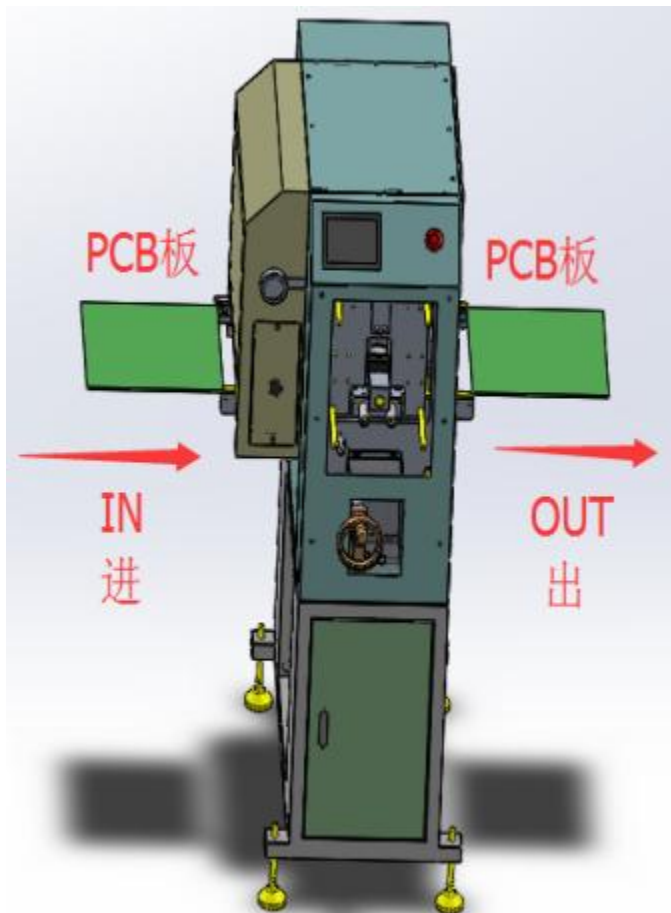
The layout of the production line

FR-3500 automatic PCB double-sided board cleaning machine is a new concept of board cleaning system, by the two sticky dust roller adhesion PCB above the dust, the use of high-pressure ionic wind to remove the board debris, fibers, hair, powder particles and other debris, and then by the sticky dust roller and sticky dust paper face-to-face contact to collect the pollutants on the roller; to ensure that the printing of the PCB surface is in a clean state in advance to eliminate the soldering defects, and improve product quality. Ensure the PCB surface is clean before printing, eliminate soldering defects in advance, and improve product quality.



FR-3500 PCB cleaning machine

how the product works

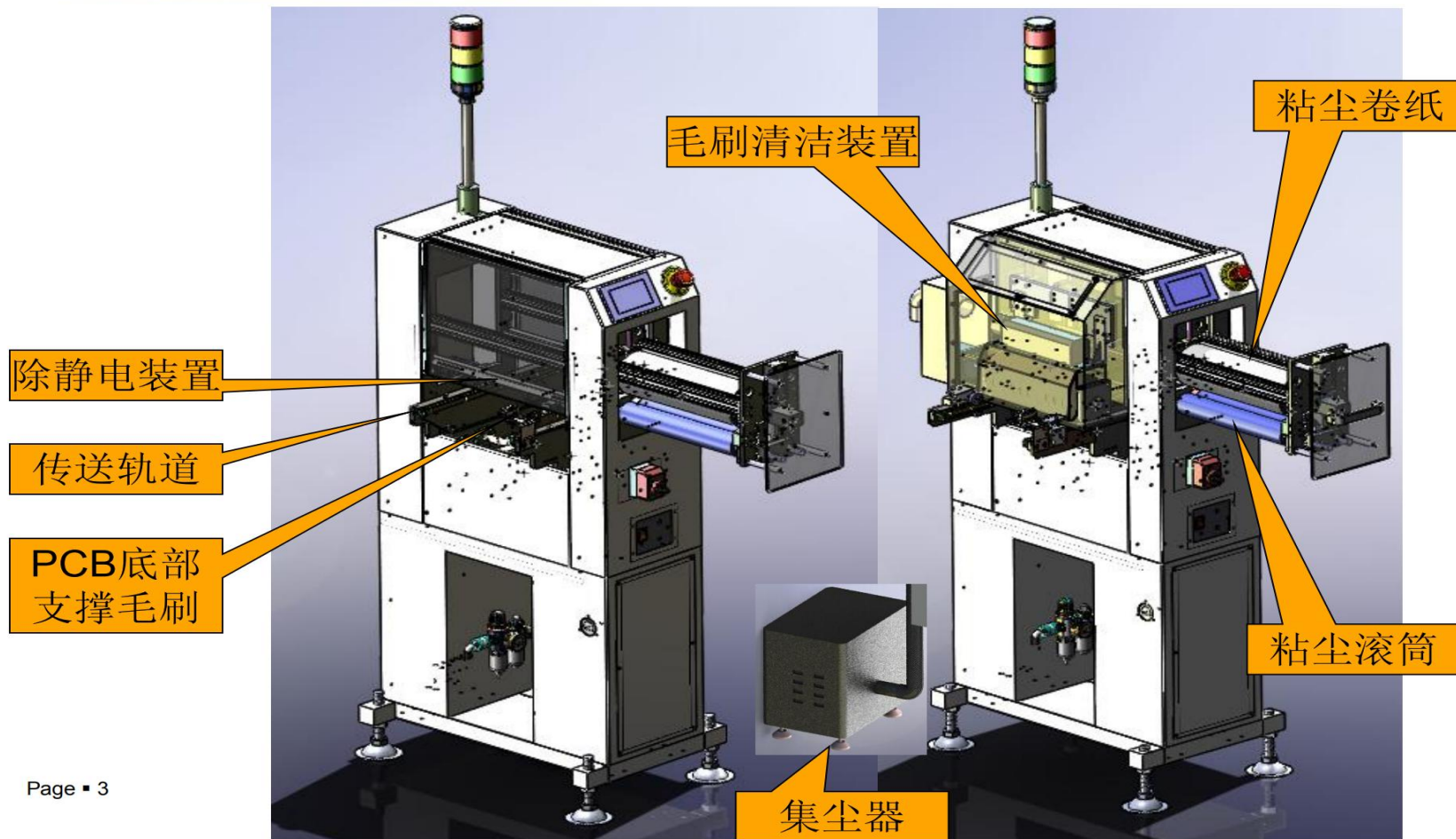


FR-3500 PCB cleaning machine

product structure and functionality

Main structural components.

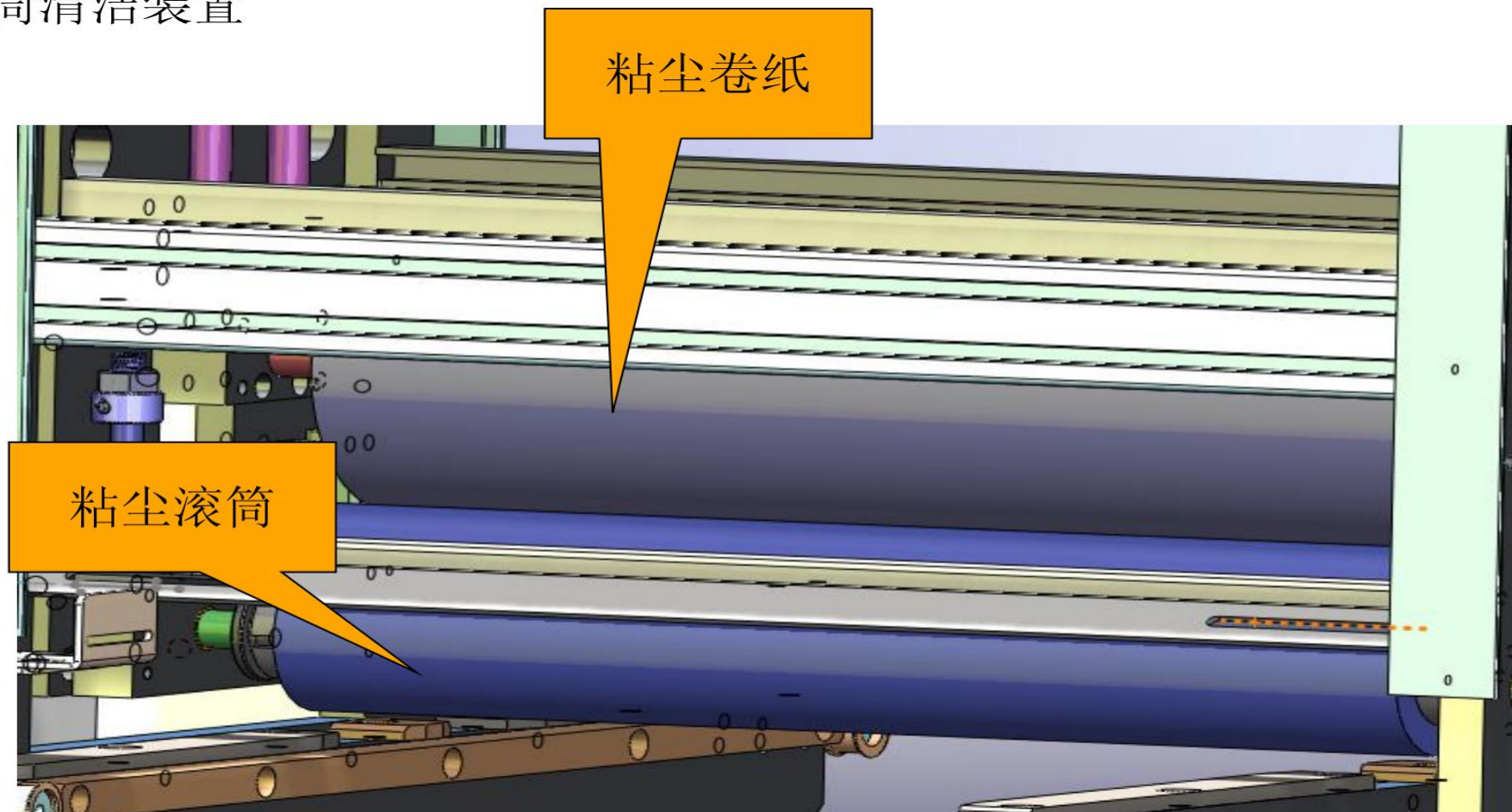
The equipment mainly consists of frame, brush mechanism, sticky dust roller mechanism, vacuum dust suction device, de-static device, PCB board transfer mechanism, man-machine control display and electric control box



FR-3500 PCB cleaning machine

product structure and
functionality

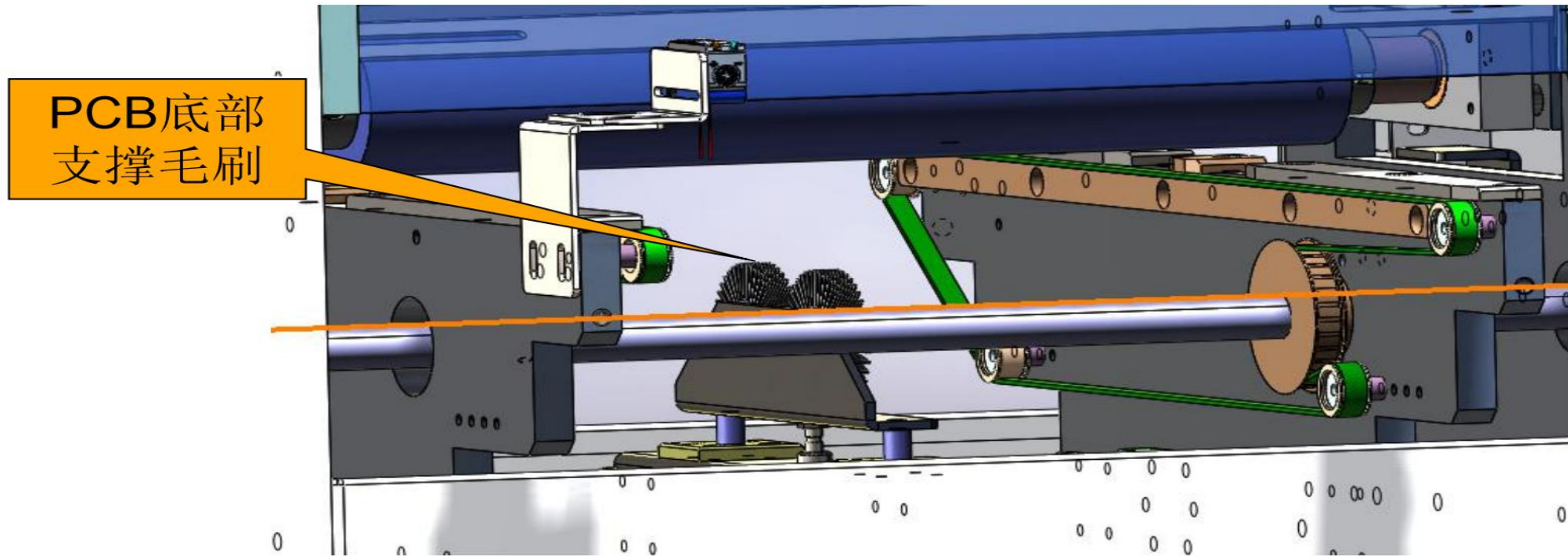
■ 滚筒清洁装置



FR-3500 PCB cleaning machine

product structure and
functionality

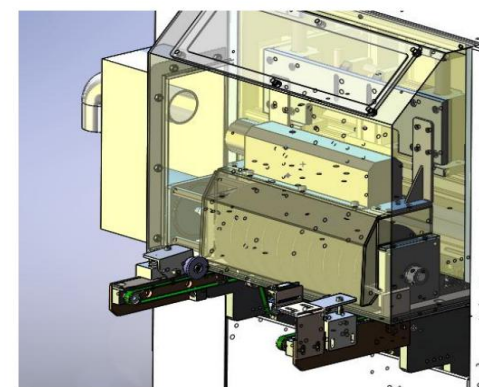
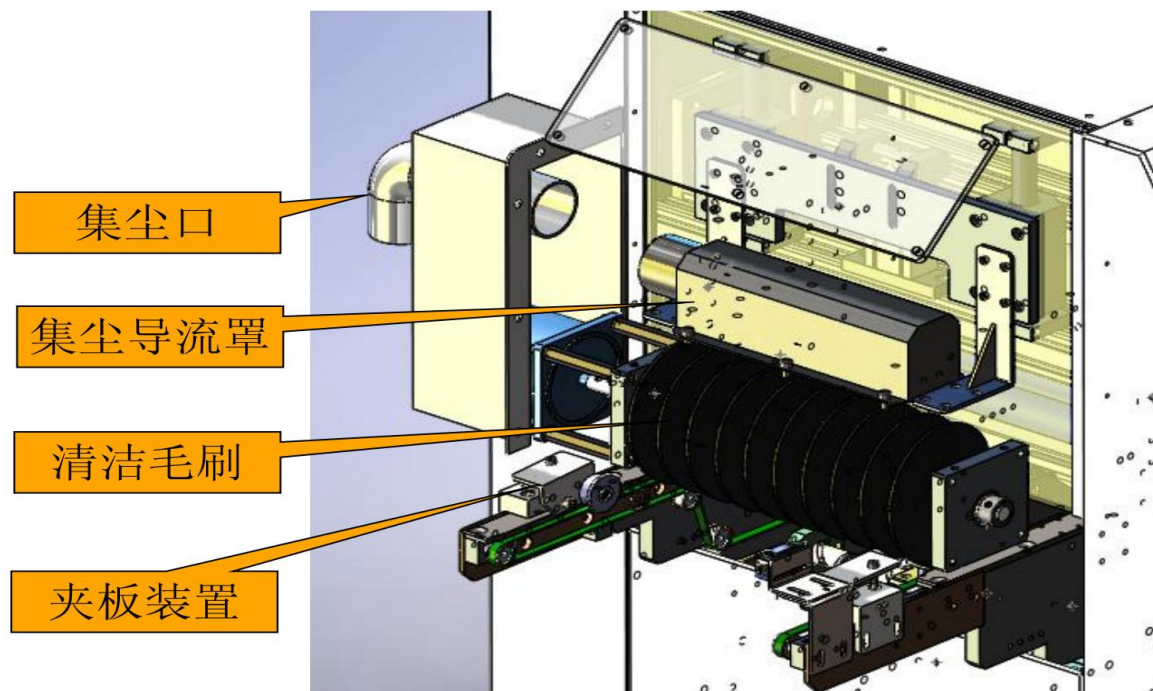
■ 底部 支撑装置



FR-3500 PCB cleaning machine

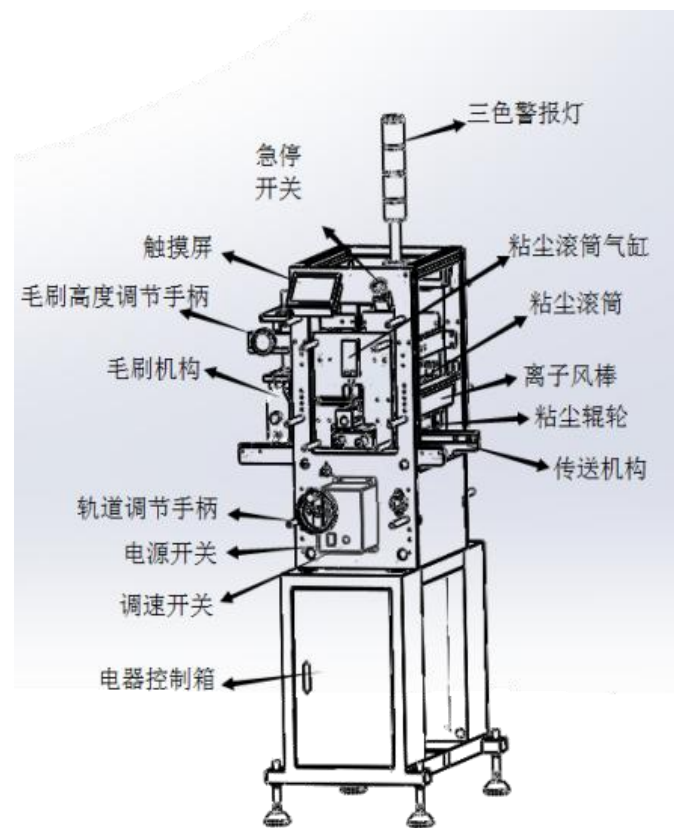
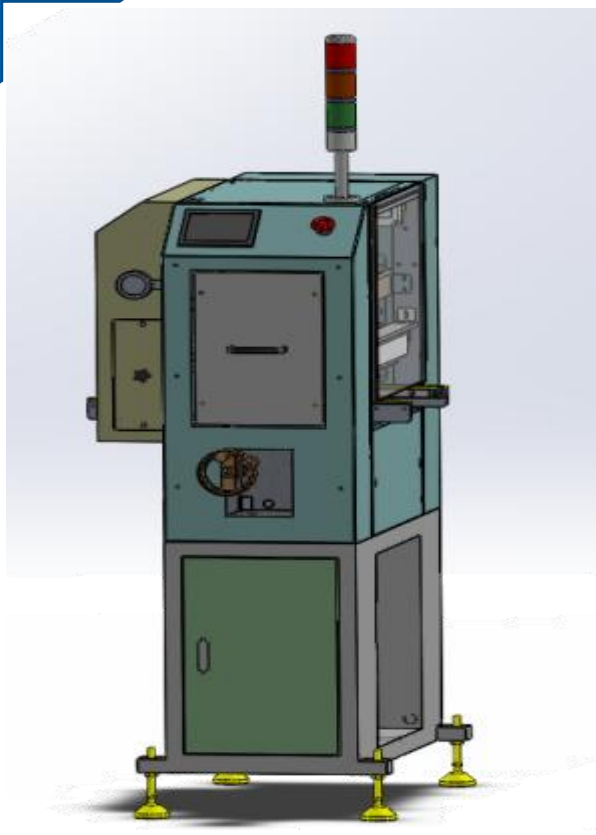
product structure and
functionality

■ 毛刷清洁装置



FR-3500 PCB cleaning machine

product structure and
functionality



FR-3500 PCB cleaning machine

product features

- Adopt touch screen control interface, easy to understand the operation
- The feeding direction of the rail can be switched at will, left → right or right → left
- The front end has a brush function, removing debris, hair, etc. Stronger ability
- PCB board in and out of the place are attached to the de-static device, to reduce the patch process by the static electricity generated by the patch bad and static electricity damage
- With counting function and CNC speed display
- Sticky roll paper replacement cycle reminder function
- Anti-static cleaning brushes and vacuum devices are developed and designed according to the high cleaning demand of PCB boards to ensure efficient and stable cleaning effect.

FR-3500 PCB cleaning machine

technical specification parameters

Project	FR-3500 Specifications/Parameters	Remarks
PCB dimensions	50x50~300x300 (LxW)mm	Other models of large substrates correspond to
PCB thickness	0.5~3.2mm	For special applications for substrates of 0.4mm or less
Transfer height	900±25 mm	
Cleaning brushes	1 root	
Vacuum suction unit	1 set	
Sticky Dust Roller	Front and back	
Dusting paper	One volume	
Orbital direction	left → right or right → left	Optional
track fixing side	anterior or posterior fixation	Optional
track width adjustment	Manual	Automatic track width adjustment option
de-electrostatic devices	Built-in	Special de-static device optionally available
Air supply	0.4-0.5MPa	
Power supply	AC220V,50HZ	Special voltages to be specified
Overall Dimension (mm)	890X600X1400	
Weight	140KG	



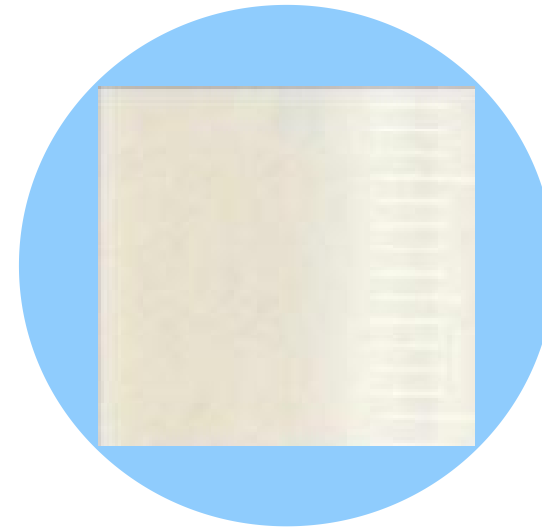
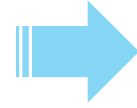
FR-3500 PCB cleaning machine

Comparison of the cleaning
effect of

● Comparison of instances



Before cleaning



After cleaning

FR-3500 PCB cleaning machine

● Comparison of cleaning methods

There are three main types of cleaning methods currently in use.

Manual cleaning



High-pressure air guns



PCB board cleaning machine



Disadvantages:Waste of energy, noisy, produces
Electrostatic buildup

Advantages: simple, suitable for small batch production

Disadvantages: labor costs, manual errors

Advantages: Fully automated operation, good
cleaning effect, removes static electricity

Disadvantages:Higher initial investment costs