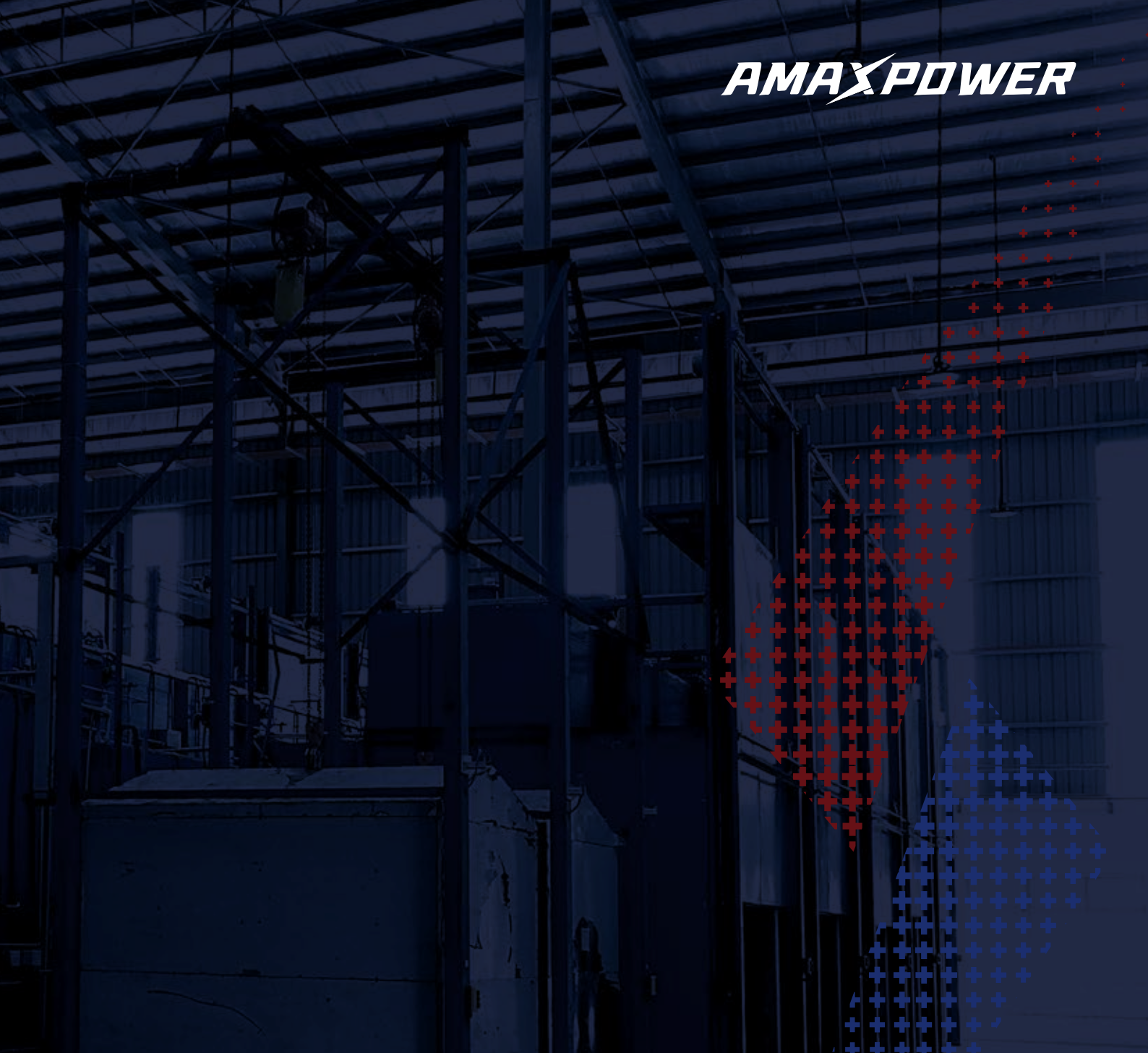


*Anytime Anywhere,
Amaxpower together with you*

AMAXPOWER

A U T O B A T T E R Y



Certificate:



Car Battery

Advantage

High Temperature Resistance, Great vibration resistance, Low Self-discharge, 30% More Battery Service Life and Top Quality Warranty.

Product Description

1. The battery consists of high-performance paste plates, low resistance separators, high-impact resistant polypropylene plastic tank.
2. Stable performance in different temperature working environment. Low internal resistance and good starting performance.
3. Tight assembly technology. Options of PP/PE separators. Reduction of battery resistance and Inside corrosion.
4. Durable and strong material with well designed construction, which has good ventilation function and good anti-explosive character, providing greater vibration resistance.
5. Customer-made special dimension available (including brand & packaging design).
6. Maintenance free lead-calcium construction, long service life design.

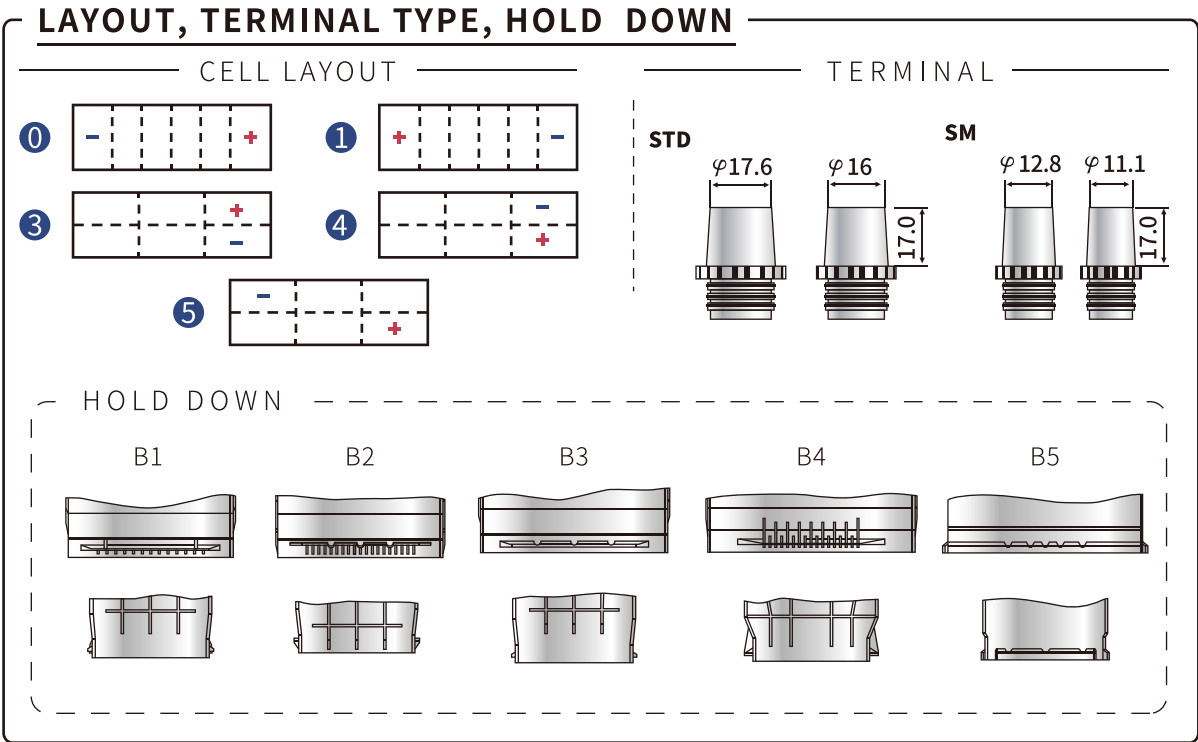
Typical Applications

Starting battery for cars, buses, trucks, golf cart, tractor, mine vehicle and other vehicles.

- 1 The advanced technology for two-side pasting improves the plates' resistance to corrosion and its initial capacity and also extends the battery service life.
- 2 With the high-purity quaternary alloy of Pb, Ca, Sn and Al, the grids can ensure low self discharge, water loss and incidence of gas and extend the battery service life.
- 3 The imported pocket PE separator prevents short circuit caused by the dropping of active substance which makes the low internal resistance, large current discharge and excellent cold-starting.
- 4 The advanced inter-cell connection welding technology ensures lower internal resistance in connection.
- 5 Adopting special acid-proof material and burst-separation patch can segregate the potential sparkle from outside effectively, and also ensures more security when using it.
- 6 The unique mazy reflux-design of cell cover ensures that electrolyte can flow back to the battery inside swimmingly, which can lower the water wastage and extend battery life.
- 7 The battery case and lid are both adopted with reinforced design, and made of PP engineering plastics to achieve high strength and good heat resistance.



DRY CHARGED BATTERY (JIS)



DRY CHARGED BATTERY (JIS) ①

JIS GR. No	Old JIS	New JIS	Dimension(mm)				Voltage (V)	Capacity(Ah)		RC (Min)	Layout	Terminal	HOLD DOWN
			L	W	H	TH		5HR	20HR				
B19	NS40	32B20R	197	129	202	222	12	25.6	32	48	1	SM	
	NS40L	32B20L	197	129	202	222	12	25.6	32	48	0	SM	
B20	NS40Z	36B20R	197	129	202	222	12	28.8	36	52	1	SM	
	NS40ZL	36B20L	197	129	202	222	12	28.8	36	52	0	SM	
	NT60-S4R	38B20R	199	131	203	231	12	28.8	36	52	1	SM	
	NT60-S4L	38B20L	199	131	203	231	12	28.8	36	52	0	SM	
C24	N40	32C24R	237	129	202	222	12	32	40	60	1	SM/STD	
	N40L	32C24L	237	129	202	222	12	32	40	60	0	SM/STD	
B24	NS60	46B24R	237	129	202	222	12	36	45	71	1	STD	
	NS60L	46B24L	237	129	202	222	12	36	45	71	0	STD	
	NS60(S)	46B24R(S)	237	129	202	222	12	36	45	71	1	SM	
	NS60L(S)	46B24L(S)	237	129	202	222	12	36	45	71	0	SM	
	NX100-S6R	55B24R	237	129	202	222	12	36	45	79	1	STD	
	NX100-S6L	55B24L	237	129	202	222	12	36	45	79	0	STD	
	NX100-S6RS	55B24RS	237	129	202	222	12	36	45	79	1	SM	
D23	/	55D23R	230	170	201	222	12	48	60	100	1	STD	
	/	55D23L	230	170	201	222	12	48	60	100	0	STD	
	/	65D23R	230	170	201	222	12	52	65	110	1	STD	
	/	65D23L	230	170	201	222	12	52	65	110	0	STD	
	/	75D23R	230	170	201	222	12	52	65	110	1	STD	
	/	75D23L	230	170	201	222	12	52	65	110	0	STD	
	/	75D23L	230	170	201	222	12	52	65	110	0	STD	
D26	N50	48D26R	260	172	204	224	12	40	50	81	1	STD	
	N50L	48D26L	260	172	204	224	12	40	50	81	0	STD	
	N50Z	55D26R	260	172	204	224	12	48	60	101	1	STD	
	N50ZL	55D26L	260	172	204	224	12	48	60	101	0	STD	
	NS70	65D26R	260	172	204	224	12	52	65	113	1	STD	
	NS70L	65D26L	260	172	204	224	12	52	65	113	0	STD	
	/	75D26R	260	172	204	224	12	52	65	123	1	STD	
	/	75D26L	260	172	204	224	12	52	65	123	0	STD	
	NX110-5	80D26R	260	172	204	224	12	56	70	133	1	STD	
	NX110-5L	80D26L	260	172	204	224	12	56	70	133	0	STD	
D31	N70	65D31R	308	174	204	224	12	56	70	120	1	STD	
	N70L	65D31L	308	174	204	224	12	56	70	120	0	STD	
	N70Z	75D31R	308	174	204	224	12	60	75	130	1	STD	
	N70ZL	75D31L	308	174	204	224	12	60	75	130	0	STD	
	NX120-7	95D31R	308	174	204	224	12	64	80	140	1	STD	
	NX120-7L	95D31L	308	174	204	224	12	64	80	140	0	STD	
	/	105D31R	308	174	204	224	12	72	90	160	1	STD	
E41	N100	95E41R	408	170	200	222	12	80	100	182	1	STD	
	N100L	95E41L	408	170	200	222	12	80	100	182	0	STD	
	N100Z	105E41R	408	170	200	222	12	84	105	192	1	STD	
	N100ZL	105E41L	408	170	200	222	12	84	105	192	0	STD	
	NS120	115E41R	408	170	200	222	12	88	110	212	1	STD	
	NS120L	115E41L	408	170	200	222	12	88	110	212	0	STD	
F51	N120	115F51R	508	180	212	235	12	96	120	228	3	STD	
	N120L	115F51L	508	180	212	235	12	96	120	228	4	STD	
	N135	150F51R	508	180	212	235	12	108	135	270	3	STD	
	N135L	150F51L	508	180	212	235	12	108	135	270	4	STD	
G51	N150	145G51R	508	220	210	235	12	120	150	294	3	STD	
	N150L	145G51L	508	220	210	235	12	120	150	294	4	STD	
	N170	165G51R	508	220	210	235	12	136	170	343	3	STD	
	N170L	165G51L	508	220	210	235	12	136	170	343	4	STD	
	N180	195G51R	506	264	211	235	12	144	180	362	3	STD	
	N180L	195G51L	506	264	211	235	12	144	180	362	4	STD	
H52	N200	190H52R	506	264	211	235	12	160	200	421	3	STD	
	N200L	190H52L	506	264	211	235	12	160	200	421	4	STD	
	N220	245H52R	506	264	211	235	12	176	220	460	3	STD	
	N220L	245H52L	506	264	211	235	12	176	220	460	4	STD	
/	6TN	256	266	208	230	12	80	100	182	3/5	STD		

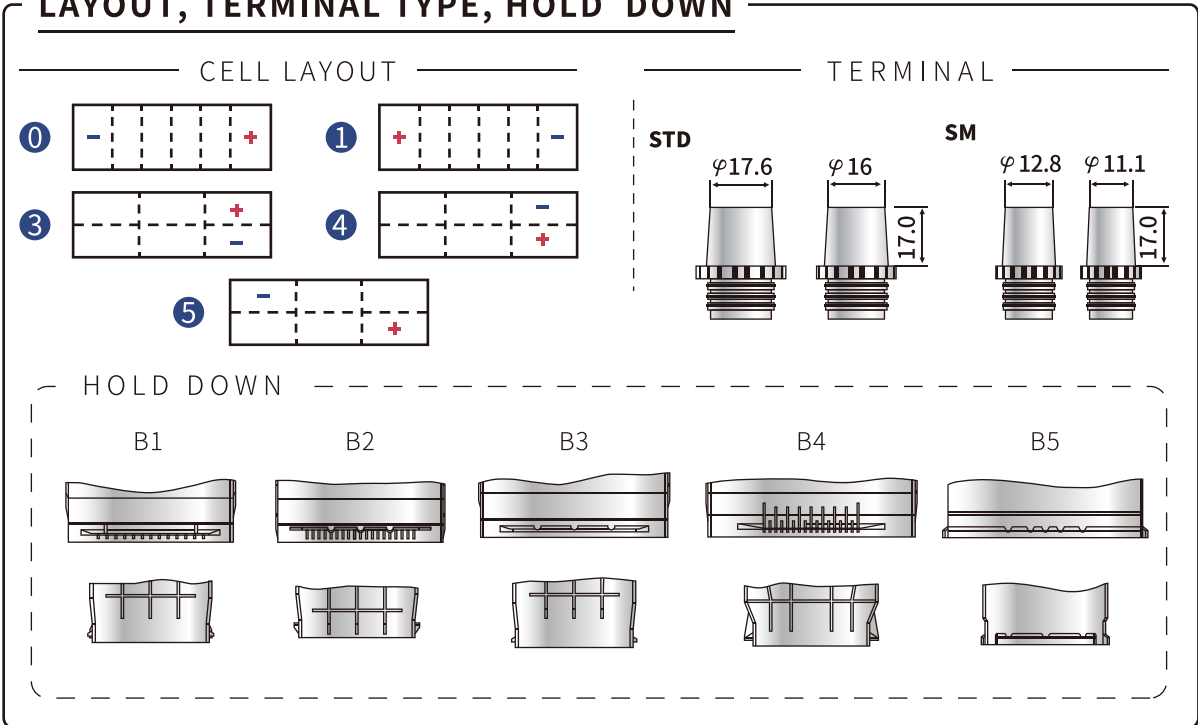
DRY CHARGED BATTERY (DIN) ②

TYPE	Old DIN	New DIN	Dimension(mm)				Voltage (V)	Capacity(Ah)		RC (Min)	Layout	Terminal	HOLD DOWN
			L	W	H	TH		5HR	20HR				
L1	DIN40	54017	207	175	190	190	12	32	40	60	0	STD	B5
	DIN44	54434	207	175	190	190	12	35.2	44	66	0	STD	B5
	DIN44	54459	207	175	190	190	12	35.2	44	66	0	STD	B5
	DIN44	54464	207	175	190	190	12	35.2	44	66	1	STD	B5
LB2	DIN45	54519	240	175	175	175	12	36	45	66	0	STD	B5
	DIN45	54520	240	175	175	175	12	36	45	66	1	STD	B5
	DIN50	55046	240	175	175	175	12	40	50	75	1	STD	B5
	DIN54	55457	240	175	175	175	12	43.2	54	90	0	STD	B5
	DIN54	55459	240	175	175	175	12	43.2	54	90	1	STD	B5
L2	DIN55	55559	242	175	190	90	12	44	55	90	1	STD	B5
	DIN55	55565	242	175	190	190	12	44	55	90	0	STD	B5
	DIN60	56077	240	175	175	175	12	48	60	98	0	STD	B5
	DIN62	56219	242	175	190	190	12	49.6	62	105	0	STD	B5
	DIN62	56220	242	175	190	190	12	49.6	62	105	1	STD	B5
LB3	DIN54	55414	279	175	175	175	12	43.2	54	89	1	STD	B5
	DIN54	55415	279	175	175	175	12	43.2	54	89	0	STD	B5
	DIN63	56318	279	175	175	175	12	50.4	63	105	0	STD	B5
	DIN64	56420	279	175	175	175	12	51.2	64	108	0	STD	B5
	DIN68	56821	279	175	175	175	12	54.4	68	114	0	STD	B5
	DIN68	56818	279	175	175	175	12	54.4	68	114	0	STD	B5
	DIN71	57113	279	175	175	175	12	56.8	71	122	0	STD	B5
	DIN71	57114	279	175	175	175	12	56.8	71	122	1	STD	B5
L3	DIN66	56638	279	175	190	190	12	52.8	66	112	0	STD	B5
	DIN66	56633	279	175	190	190	12	52.8	66	112	1	STD	B5
	DIN72	57219	279	175	190	190	12	57.6	72	123	0	STD	B5
	DIN72	57220	279	175	190	190	12	57.6	72	123	1	STD	B5
	DIN74	57412	279	175	190	190	12	59.2	74	126	0	STD	B5
	DIN74	57413	279	175	190	190	12	59.2	74	126	1	STD	B5
L4	DIN80	58043	315	175	190	190	12	64	80	135	0	STD	B5
LB5	DIN85	58515	353	175	175	175	12	68	85	145	0	STD	B5
L5	DIN88	58827	353	175	190	190	12	70.4	88	150	0	STD	B5
	DIN88	58821	353	175	190	190	12	70.4	88	150	1	STD	B5
	DIN92	59218	353	175	190	190	12	73.6	92	160	0	STD	B5
	DIN92	59219	353	175	190	190	12	73.6	92	160	1	STD	B5
	DIN100	60038	353	175	190	190	12	80	100	179	0	STD	B5
	DIN100	60044	353	175	190	190	12	80	100	179	1	STD	B5
D4	DIN110	61017	508	180	212	235	12	88	110	200	0	STD	
	DIN120	62034	508	180	212	235	12	96	120	220	0	STD	
	DIN135	63530	508	180	212	235	12	108	135	256	0	STD	
D5	DIN140	64020	508	180	212	235	12	112	140	267	4	STD	
	DIN140	64028	508	180	212	235	12	112	140	267	3	STD	
	DIN143	64317	508	220	210	235	12	114.4	143	274	4	STD	
	DIN143	64318	508	220	210	235	12	114.4	143	274	3	STD	
	DIN150	65011	508	220	210	235	12	120	150	290	4	STD	
	DIN150	65012	508	220	210	235	12	120	150	290	3	STD	
	DIN170	67018	508	220	210	235	12	136	170	336	4	STD	
	DIN170	67019	508	220	210	235	12	136	170	336	3	STD	
	DIN180	68021	508	220	210	235	12	144	180	360	4	STD	
DIN180	68022	508	220	210	235	12	144	180	360	3	STD		
D6	DIN180	68039	506	264	211	235	12	144	180	360	4	STD	
	DIN180	68040	506	264	211	235	12	144	180	360	3	STD	
	DIN200	70027	506	264	211	235	12	160	200	400	4	STD	
	DIN200	70029	506	264	211	235	12	160	200	400	3	STD	
	DIN210	71014	506	264	211	235	12	168	210	430	4	STD	
	DIN210	71015	506	264	211	235	12	168	210	430	3	STD	
	DIN225	72511	506	264	211	235	12	180	225	468	4	STD	
DIN225	72513	506	264	211	235	12	180	225	468	3	STD		

SEALED MAINTENANCE FREE BATTERY (JIS)



LAYOUT, TERMINAL TYPE, HOLD DOWN



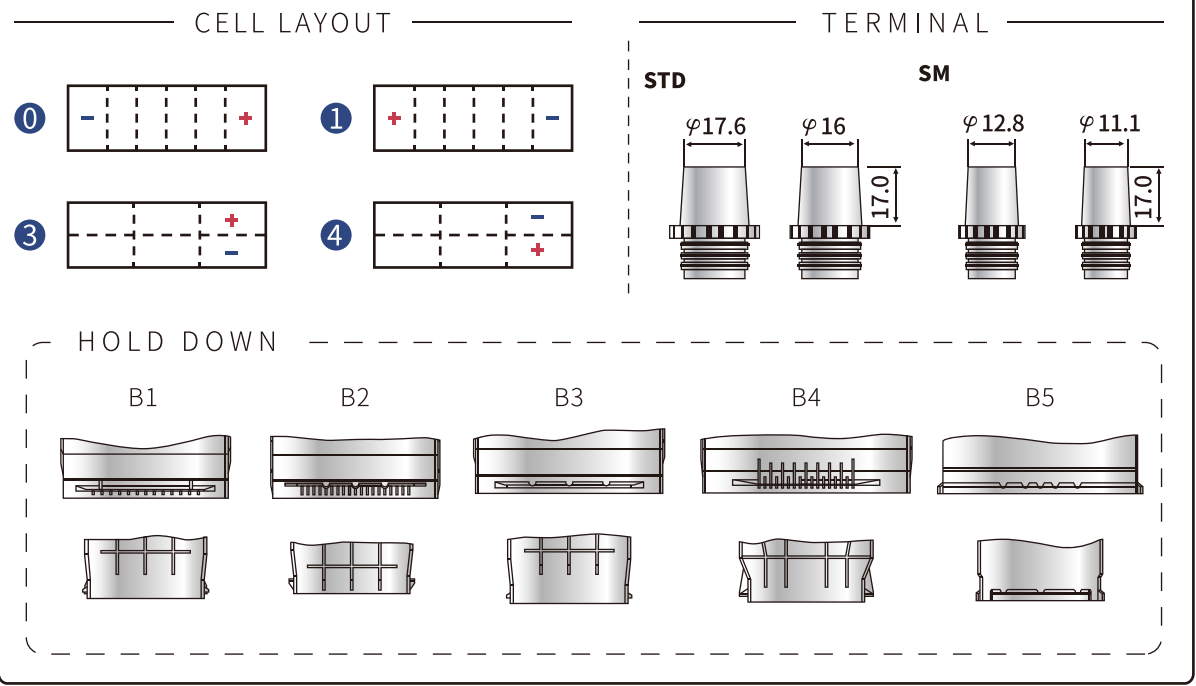
SEALED MAINTENANCE FREE BATTERY(JIS)

TYPE	Old JIS	New JIS	Dimension(mm)				Voltage (V)	Capacity(Ah)		RC (Min)	CCA (-18°C)	Layout	Terminal	HOLD DOWN
			L	W	H	TH		5HR	20HR					
B20	NS40	32B20R	197	129	202	224	12	25.6	32	48	345	1	SM	
	NS40L	32B20L	197	129	202	224	12	25.6	32	48	345	0	SM	
	NS40Z	36B20R	197	129	202	224	12	28.8	36	52	385	1	SM	
	NS40ZL	36B20L	197	129	202	224	12	28.8	36	52	385	0	SM	
C24	NT60-S4R	38B20R	197	134	202	224	12	28.8	36	52	385	1	SM	B5
	NT60-S4L	38B20L	197	134	202	224	12	28.8	36	52	385	0	SM	B5
	N40	32C24R	237	129	202	224	12	32	40	60	425/440	1	SM/STD	
	N40L	32C24L	237	129	202	224	12	32	40	60	425/440	0	SM/STD	
B24	NS60	46B24R	237	129	202	224	12	36	45	71	480	1	STD	
	NS60L	46B24L	237	129	202	224	12	36	45	71	480	0	STD	
	NS60(S)	46B24R(S)	237	129	202	224	12	36	45	71	465	1	SM	
	NS60L(S)	46B24L(S)	237	129	202	224	12	36	45	71	465	0	SM	
	NX100-S6R	55B24R	237	129	202	224	12	36	45	71	480	1	STD	
	NX100-S6L	55B24L	237	129	202	224	12	36	45	71	480	0	STD	
	NX100-S6RS	55B24RS	237	129	202	224	12	36	45	71	465	1	SM	
D23	/	55D23R	231	172	202	224	12	48	60	100	600	1	STD	B1
	/	55D23L	231	172	202	224	12	48	60	100	600	0	STD	B1
	/	65D23R	231	172	202	224	12	52	65	110	600	1	STD	B1
	/	65D23L	231	172	202	224	12	52	65	110	600	0	STD	B1
	/	75D23R	231	172	202	224	12	52	65	110	600	1	STD	B1
	/	75D23L	231	172	202	224	12	52	65	110	600	0	STD	B1
D26	N50	48D26R	260	173	202	224	12	40	50	81	500	1	STD	B3
	N50L	48D26L	260	173	202	224	12	40	50	81	500	0	STD	B3
	N50Z	55D26R	260	173	202	224	12	48	60	100	600	1	STD	B3
	N50ZL	55D26L	260	173	202	224	12	48	60	100	600	0	STD	B3
	NS70	65D26R	260	173	202	224	12	52	65	110	600	1	STD	B3
	NS70L	65D26L	260	173	202	224	12	52	65	110	600	0	STD	B3
	/	75D26R	260	173	202	224	12	52	65	110	600	1	STD	B3
	/	75D26L	260	173	202	224	12	52	65	110	600	0	STD	B3
	NX110-5	80D26R	260	173	202	224	12	56	70	120	650	1	STD	B3
	NX110-5L	80D26L	260	173	202	224	12	56	70	120	650	0	STD	B3
D31	N70	65D31R	300	172	202	224	12	56	70	120	650	1	STD	B3
	N70L	65D31L	300	172	202	224	12	56	70	120	650	0	STD	B3
	N70Z	75D31R	300	172	202	224	12	60	75	130	700	1	STD	B3
	N70ZL	75D31L	300	172	202	224	12	60	75	130	700	0	STD	B3
	NX120-7	95D31R	300	172	202	224	12	64	80	140	750	1	STD	B3
	NX120-7L	95D31L	300	172	202	224	12	64	80	140	750	0	STD	B3
	/	105D31R	300	172	202	224	12	72	90	160	800	1	STD	B3
E41	/	105D31L	300	172	202	224	12	72	90	160	800	0	STD	B3
	N100	95E41R	408	171	205	227	12	80	100	179	880	1	STD	
	N100L	95E41L	408	171	205	227	12	80	100	179	880	0	STD	
	N100Z	105E41R	408	171	205	227	12	84	105	192	920	1	STD	
	N100ZL	105E41L	408	171	205	227	12	84	105	192	920	0	STD	
	NS120	115E41R	408	171	205	227	12	88	110	202	980	1	STD	
F51	NS120L	115E41L	408	171	205	227	12	88	110	202	980	0	STD	
	N120	115F51R	505	180	212	237	12	96	120	223	880	3	STD	
	N120L	115F51L	505	180	212	237	12	96	120	223	880	4	STD	
	N135	150F51R	508	220	212	236	12	108	135	258	960	3	STD	
G51	N135L	150F51L	508	220	212	236	12	108	135	258	960	4	STD	
	N150	145G51R	508	220	212	236	12	120	150	292	1090	3	STD	
	N150L	145G51L	508	220	212	236	12	120	150	292	1090	4	STD	
	N170	165G51R	508	220	212	236	12	136	170	338	1220	3	STD	
	N170L	165G51L	508	220	212	236	12	136	170	338	1220	4	STD	
	N180	195G51R	515	266	214	236	12	144	180	362	1120	3	STD	
H52	N180L	195G51L	515	266	214	236	12	144	180	362	1120	4	STD	
	N200	190H52R	515	266	214	236	12	160	200	409	1280	3	STD	
	N200L	190H52L	515	266	214	236	12	160	200	409	1280	4	STD	
	N220	245H52R	515	266	214	236	12	176	220	458	1350	3	STD	
H52	N220L	245H52L	515	266	214	236	12	176	220	458	1350	4	STD	
	/	6TN	256	266	208	230	12	80	100	179	950	3/5	STD	

SEALED MAINTENANCE FREE BATTERY (DIN)



LAYOUT, TERMINAL TYPE, HOLD DOWN



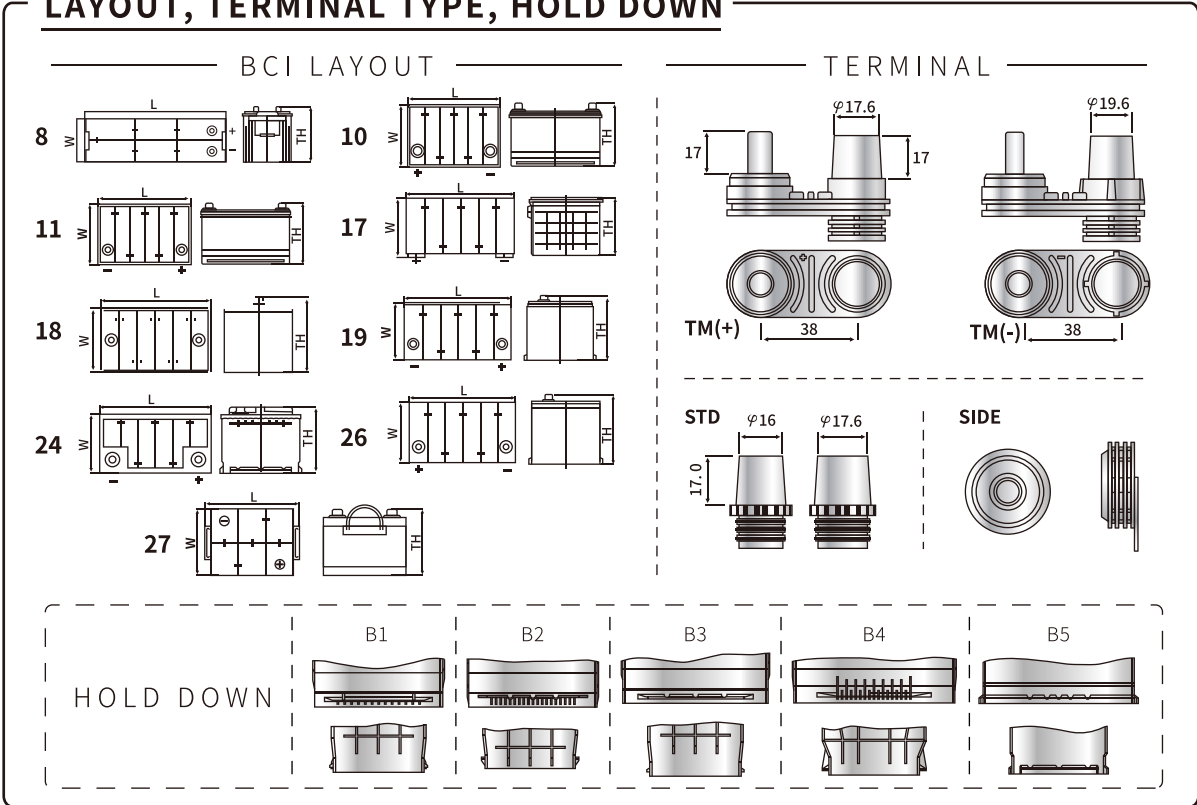
SEALED MAINTENANCE FREE BATTERY(DIN)

TYPE	Model	Dimension(mm)				Voltage (V)	Capacity(Ah)		RC (Min)	CCA (-18°C)	Layout	Terminal	HOLD DOWN
		L	W	H	TH		5HR	20HR					
LB1	53646	207	175	175	175	12	28.8	36	52	400	0	STD	B5
	53647	207	175	175	175	12	28.8	36	52	400	1	STD	B5
	54321	207	175	175	175	12	34.4	43	68	500	0	STD	B5
	54322	207	175	175	175	12	34.4	43	68	500	1	STD	B5
L1	54459	207	175	190	190	12	35.2	44	70	500	0	STD	B5
	54464	207	175	190	190	12	35.2	44	70	500	1	STD	B5
LB2	54519	240	175	175	175	12	36	45	71	550	0	STD	B5
	54520	240	175	175	175	12	36	45	71	550	1	STD	B5
	55046	240	175	175	175	12	40	50	81	600	1	STD	B5
	55457	240	175	175	175	12	43.2	54	89	650	0	STD	B5
	55459	240	175	175	175	12	43.2	54	89	650	1	STD	B5
	56077	240	175	175	175	12	48	60	100	700	0	STD	B5
L2	55559	240	175	190	190	12	44	55	88	550	1	STD	B5
	55565	240	175	190	190	12	44	55	88	550	0	STD	B5
	56219	240	175	190	190	12	49.6	62	103	600	0	STD	B5
	56220	240	175	190	190	12	49.6	62	103	600	1	STD	B5
	56221	240	175	190	190	12	49.6	62	103	600	0	STD	B5
LB3	55414	278	175	175	175	12	43.2	54	87	650	1	STD	B5
	55415	278	175	175	175	12	43.2	54	87	650	0	STD	B5
	56318	278	175	175	175	12	50.4	63	105	750	0	STD	B5
	56420	278	175	175	175	12	51.2	64	105	750	0	STD	B5
	56821	278	175	175	175	12	54.4	68	115	800	0	STD	B5
	56818	278	175	175	175	12	54.4	68	115	800	0	STD	B5
	57113	278	175	175	175	12	56.8	71	122	800	0	STD	B5
	57114	278	175	175	175	12	56.8	71	122	800	1	STD	B5
L3	56638	278	175	190	190	12	52.8	66	112	650	0	STD	B5
	56633	278	175	190	190	12	52.8	66	112	650	1	STD	B5
	57219	278	175	190	190	12	57.6	72	123	700	0	STD	B5
	57220	278	175	190	190	12	57.6	72	123	700	1	STD	B5
	57412	278	175	190	190	12	59.2	74	128	700	0	STD	B5
	57413	278	175	190	190	12	59.2	74	128	700	1	STD	B5
L4	58043	315	175	190	190	12	64	80	140	750	0	STD	B5
LB4	57539	315	175	175	175	12	60	75	130	850	0	STD	B5
LB5	58515	353	175	175	175	12	68	85	150	920	0	STD	B5
L5	58827	353	175	190	190	12	70.4	88	156	800	0	STD	B5
	58821	353	175	190	190	12	70.4	88	156	800	1	STD	B5
	59218	353	175	190	190	12	73.6	92	165	850	0	STD	B5
	59219	353	175	190	190	12	73.6	92	165	850	1	STD	B5
	60038	353	175	190	190	12	80	100	179	900	0	STD	B5
	60044	353	175	190	190	12	80	100	179	900	1	STD	B5
D4	61017	505	180	212	237	12	88	110	202	840	0	STD	
	62034	505	180	212	237	12	96	120	223	880	0	STD	
	63530	505	180	212	237	12	108	135	258	960	0	STD	
D5	64020	508	220	212	236	12	112	140	268	1020	4	STD	
	64028	508	220	212	236	12	112	140	268	1020	3	STD	
	64317	508	220	212	236	12	114.4	143	276	1020	4	STD	
	64318	508	220	212	236	12	114.4	143	276	1020	3	STD	
	65011	508	220	212	236	12	120	150	292	1090	4	STD	
	65012	508	220	212	236	12	120	150	292	1090	3	STD	
	67018	508	220	212	236	12	136	170	338	1220	4	STD	
	67019	508	220	212	236	12	136	170	338	1220	3	STD	
	68021	508	220	212	236	12	144	180	362	1250	4	STD	
D6	68022	508	220	212	236	12	144	180	362	1250	3	STD	
	68039	515	266	214	236	12	144	180	305	1120	4	STD	
	68040	515	266	214	236	12	144	180	362	1120	3	STD	
	70027	515	266	214	236	12	160	200	409	1280	4	STD	
	70029	515	266	214	236	12	160	200	409	1280	3	STD	
	71014	515	266	214	236	12	168	210	432	1320	4	STD	
	71015	515	266	214	236	12	168	210	432	1320	3	STD	
	72511	515	266	214	236	12	180	225	465	1350	4	STD	
72513	515	266	214	236	12	180	225	465	1350	3	STD		

BCI TYPE



LAYOUT, TERMINAL TYPE, HOLD DOWN



BCI TYPE 1

TYPE	Model	Dimension(mm)			Voltage (V)	Capacity(Ah)		RC (min)	CCA (-18°C)		Layout	Terminal	HOLD DOWN
		L	W	TH		20HR	SAE						
24	MF24-450	263	173	205	12	50	80	450	10	STD	B1		
	MF24-500	263	173	205	12	55	90	500	10	STD	B1		
	MF24-550	263	173	205	12	60	100	550	10	STD	B1		
	MF24-600	263	173	205	12	68	113	600	10	STD	B1		
	MF24-630	263	173	205	12	74	125	630	10	STD	B1		
24R	MF24R-450	263	173	205	12	50	80	450	11	STD	B1		
	MF24R-500	263	173	205	12	55	90	500	11	STD	B1		
	MF24R-550	263	173	205	12	60	100	550	11	STD	B1		
	MF24R-600	263	173	205	12	68	113	600	11	STD	B1		
	MF24R-630	263	173	205	12	74	125	630	11	STD	B1		
25	MF25-500	231	172	222	12	60	100	500	10	STD	B1		
26	MF26-450	208	172	197	12	50	80	450	10	STD			
	MF26-550	208	172	197	12	60	100	550	10	STD			
26R	MF26R-450	208	172	197	12	50	80	450	11	STD			
	MF26R-550	208	172	197	12	60	100	550	11	STD			
27	MF27-600	300	172	221	12	68	113	600	10	STD	B3		
	MF27-630	300	172	221	12	75	130	630	10	STD	B3		
	MF27-670	300	172	221	12	80	140	670	10	STD	B3		
	MF27-710	300	172	221	12	80	140	710	10	STD	B3		
	MF27-750	300	172	221	12	88	155	750	10	STD			
27R	MF27R-600	300	172	221	12	68	113	600	11	STD	B3		
	MF27R-630	300	172	221	12	75	130	630	11	STD	B3		
	MF27R-670	300	172	221	12	80	140	670	11	STD	B3		
	MF27R-710	300	172	221	12	80	140	710	11	STD	B3		
	MF27R-750	300	172	221	12	88	155	750	11	STD	B3		
31	MF31-700	326	172	242	12	90	160	700	18	TM			
	MF31-750	326	172	242	12	95	170	750	18	TM			
	MF31-800	326	172	242	12	100	180	800	18	TM			
34	MF34-550	263	175	205	12	60	100	550	10	STD	B1		
	MF34-600	263	175	205	12	66	110	600	10	STD	B1		
	MF34-650	263	175	205	12	68	115	650	10	STD	B1		
34R	MF34R-550	263	175	205	12	60	100	550	11	STD	B1		
	MF34R-600	263	175	205	12	66	110	600	11	STD	B1		
	MF34R-650	263	175	205	12	68	115	650	11	STD	B1		
35	MF35-500	231	172	222	12	60	100	500	11	STD	B1		
40R	MF40R-500	277	174	175	12	66	110	500	24	STD	B5		
	MF40R-550	277	174	175	12	70	120	550	24	STD	B5		
41	MF41-525	284	173	172	12	66	110	525	24	STD			
42	MF42-450	241	174	175	12	50	85	450	24	STD	B5		
	MF42-480	241	174	175	12	55	95	480	24	STD	B5		
43	MF43-650	315	173	190	12	70	120	650	24	STD	B5		
47	MF47-480	241	174	188	12	50	80	480	24	STD	B5		
	MF47-500	241	174	188	12	55	90	500	24	STD	B5		
	MF47-550	241	174	188	12	60	100	550	24	STD	B5		
47R	MF47R-480	241	174	188	12	50	80	480	24	STD	B5		
	MF47R-500	241	174	188	12	55	90	500	24	STD	B5		
	MF47R-550	241	174	188	12	60	100	550	24	STD	B5		
48	MF48-600	277	174	188	12	66	110	600	24	STD	B5		
	MF48-650	277	174	188	12	70	120	650	24	STD	B5		
49	MF49-710	349	174	189	12	80	140	710	24	STD	B5		
	MF49-750	349	174	189	12	85	150	750	24	STD	B5		
	MF49-850	349	174	189	12	90	160	850	24	STD	B5		
51	MF51-430	237	127	220	12	45	71	430	10	STD			
51R	MF51R-430	237	127	220	12	45	71	430	11	STD			
55	MF55-430	231	154	222	12	45	71	430	10	STD			
58	MF58-450	231	172	175	12	48	75	450	26	STD			
58R	MF58R-450	231	172	175	12	48	75	450	19	STD			
65	MF65-650	300	190	192	12	75	130	650	10	STD	B4		
	MF65-750	300	190	192	12	88	155	750	10	STD	B4		

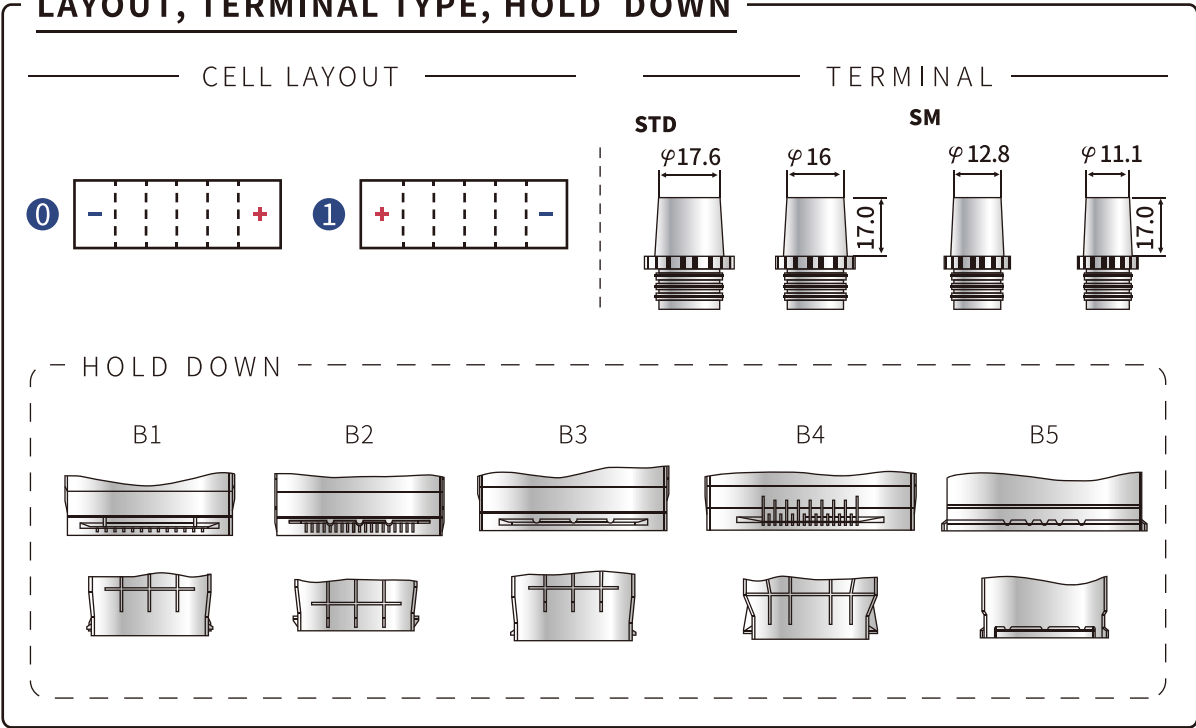
BCI TYPE ②

TYPE	Model	Dimension(mm)			Voltage (V)	Capacity(Ah)	RC (min)	CCA (-18°C)	Layout	Terminal	HOLD DOWN
		L	W	TH		20HR		SAE			
65R	MF65R-650	300	190	192	12	75	130	650	11	STD	B4
	MF65R-750	300	190	192	12	88	155	750	11	STD	B4
70	MF70-400	208	179	181	12	45	71	400	17	SIDE	
	MF70-450	208	179	181	12	50	80	450	17	SIDE	
	MF70-500	208	179	181	12	55	90	500	17	SIDE	
	MF70-550	208	179	181	12	60	100	550	17	SIDE	
74	MF74-500	260	173	222	12	60	100	500	17	SIDE	
	MF74-550	260	173	222	12	66	110	550	17	SIDE	
75	MF75-500	231	172	175	12	55	90	500	17	SIDE	B2
	MF75-550	231	172	175	12	60	100	550	17	SIDE	B2
	MF75-600	231	172	175	12	68	113	600	17	SIDE	B2
	MF75-630	231	172	175	12	74	125	630	17	SIDE	B2
78	MF78-550	263	181	185	12	60	100	550	17	SIDE	B1
	MF78-610	263	181	185	12	62	105	610	17	SIDE	B1
	MF78-630	263	181	185	12	68	115	630	17	SIDE	B1
85	MF85-550	231	172	205	12	55	90	550	11	STD	B1
	MF85-610	231	172	205	12	55	90	610	11	STD	B1
86	MF86-550	231	172	205	12	55	90	550	10	STD	B1
	MF86-610	231	172	205	12	55	90	610	10	STD	B1
90	MF90-450	241	174	175	12	50	80	450	24	STD	B5
91	MF91-600	277	174	175	12	60	100	600	24	STD	B5
92	MF92-650	315	174	175	12	75	130	650	24	STD	B5
93	MF93-800	349	174	175	12	85	150	800	24	STD	B5
94R	MF94R-640	315	173	190	12	80	135	640	24	STD	B5
4D	MF4D-1000	508	220	235	12	150	300	1000	8	STD	
8D	MF8D-1200	506	265	240	12	200	420	1200	8	STD	
	MF8D-1400	506	265	240	12	225	460	1400	8	STD	

EFB TYPE



LAYOUT, TERMINAL TYPE, HOLD DOWN



EFB-TYPE (START-STOP BATTERY)

Model	Voltage (V)	Capacity(Ah)	Dimension(mm)				CCA (-18°C)	Layout	Terminal	HOLD DOWN
		20HR	L	W	H	TH				
EFB- K42/M42	12	36	195	128	198	219	440	0/1	SM	
EFB-N55	12	45	237	127	200	222	550	0/1	SM/STD	
EFB-B24S	12	45	237	127	200	222	535	0/1	SM/STD	
EFB-Q85	12	65	231	172	201	223	780	0/1	STD	B1
EFB- S95/S85	12	70	259	174	202	225	880	0/1	STD	B3
EFB- T115/T105	12	80	300	173	201	222	980	0/1	STD	B3
EFB-E41	12	100	406	171	205	227	1080	0/1	STD	
EFB-40 LB1	12	40	207	175	175	175	480	0/1	STD	B5
EFB-44 L1	12	44	207	175	190	190	580	0/1	STD	B5
EFB-50 LB2	12	50	239	173	174	174	780	0/1	STD	B5
EFB-62 L2	12	62	239	173	188	188	780	0/1	STD	B5
EFB-65 LB3	12	65	275	174	174	174	880	0/1	STD	B5
EFB-70 L3	12	70	271	174	185	185	880	0/1	STD	B5
EFB-80 L4	12	80	315	175	190	190	980	0/1	STD	B5
EFB-75 T7	12	75	315	175	175	175	1020	0/1	STD	B5
EFB-90 LB5	12	90	353	174	175	175	1050	0/1	STD	B5
EFB-100 L5	12	100	349	172	187	187	1050	0/1	STD	B5

GOLF CART BATTERY



GOLF CART BATTERY

Voltage (V)	Amp-Hour Rate (Ah)		Capacity (min)		Dimension(mm)			Weight (kg)	
	5HR	3HR	@25Amp	@75Amp	L	W	H	Dry	Wet
6	180	150	460	115	258	181	291.5	23.5	30.5
8	180	150	450	115	259	183	340.5	30.0	38.8
Voltage (V)	Amp-Hour Rate (Ah)		Capacity (min)		Dimension(mm)			Weight (kg)	
	5HR	3HR	@25Amp	@75Amp	L	W	H	Dry	Wet
6	210	175	530	145	258	182	308	26.0	33.8
8	145	108	295	115	259	183	290.5	23.5	30.0

FEATURE

- The battery consists of high-performance paste plate, compound low resistance separators, high-impact resistant polypropylene plastic tank.
- Positive plates of lead-based alloy with multiple high-density lead paste processing, manufacturing, corrosion resistance, high-rate discharge capacity good durability.
- Negative plates with a special formulation and double Paste process, excellent low temperature discharge acceptance ability, anti-sulfate and an anti-off-performance.
- Tight assembly, through partition connectors discharge stable, safe and reliable.
- Adaptability to temperature, can be -40°C—60°C under normal use.

HEALTH AND SAFETY

Precautions:

- Always handle batteries with care.
- Always store upright.
- Never over-fill with acid.
- Always charge in a well ventilated place.
- Always wear eye protection when handling batteries.
- Wear protective clothing if there is any risk of acid splashing.



Do not throw away



Recyclable Material



Danger of
battery acid



Note operating
instruction



Danger of
explosion



No Smoking
No Naked Flames
No sparks



Wear protective
glasses



Keep away
from children

DANGER

- Keep away from the fire when using. Hydrogen gas generated from battery may cause fire and explosion.
- This 12V battery is only for starting engines. Do not apply for other users.
- Keep out of the reach of children or the personnel who do not understand the manual, it may cause blindness or severe burn.
- When using the battery, wear safety glasses and rubber gloves. Sulfuric acid may cause blindness or severe burn.

WARNING

- Replacement of battery shall be performed as per following order. If failed, it may cause fire and explosion. Remove cable from negative terminal first, connect cable to negative terminal last.
- When connecting cable to battery, make sure not to get a changed post of + and -. It may cause damage to electronic components or fire.
- When using the battery, handle it with care. Sulfuric acid may cause blindness or severe burn.

CAUTION

- When moving the battery, be careful not to drop the battery, which is heavy. Do not shake the handle on the battery in case of injury.
- Do not store the battery at places with high temperature and humidity or being exposed to rain, snow, direct sunlight.



AMAXPOWER

Office Add: Ecology Park, 6099 Bao'an Avenue, Bao'an District,
Shenzhen, Guangdong, China

Web: www.amaxbattery.com Tel: 86-755-27087972