

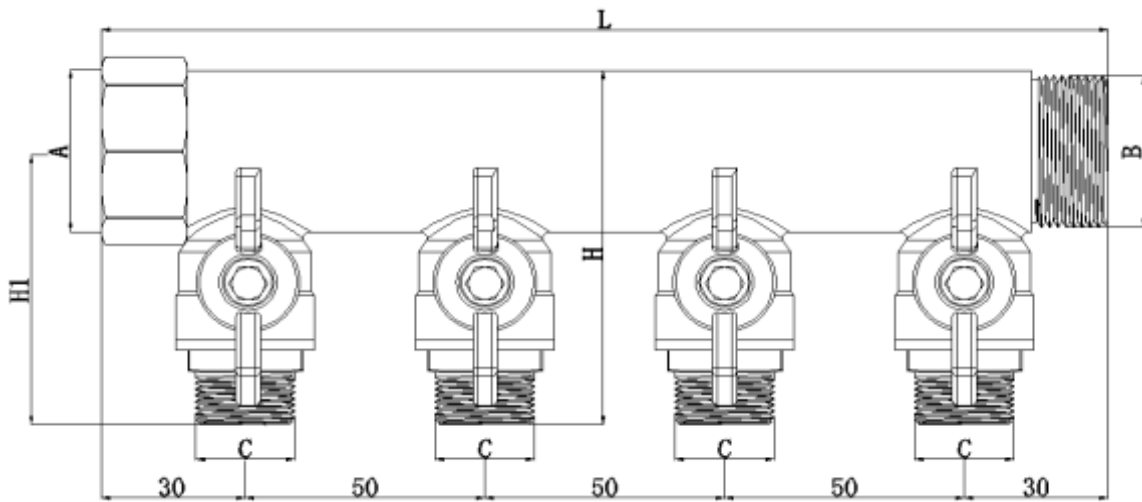
BRASS MANIFOLD DATA SHEET ZL-1130



Performances

Medium	Water, glycol solutions (Max. percentage of glycol is 30%)
Working temperature range	5~100°C
Maximum working pressure	10bar
Centre distance	50mm
Materials	Brass

Dimensions



Code	No. of outlets	A	B	C	L	H	H1
ZL113020002	2	G3/4"	G3/4"	G1/2"	110	70.5	56.5
ZL113020003	3				160		
ZL113020004	4				210		
ZL113020005	5				260		
ZL113020006	6				310		
ZL113025002	2	G1"	G1"	G1/2"	110	77	58.8
ZL113025003	3				160		
ZL113025004	4				210		
ZL113025005	5				260		
ZL113025006	6				310		