

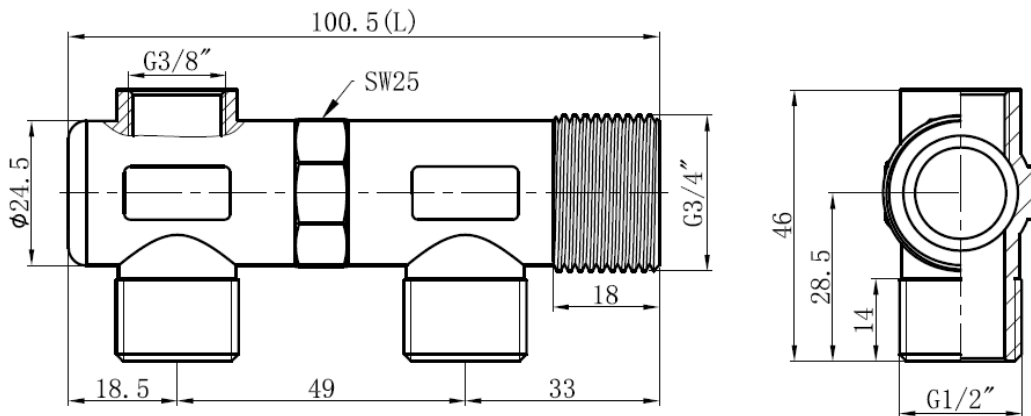
**BRASS MANIFOLD**  
**DATA SHEET**  
**ZL-1153 series**



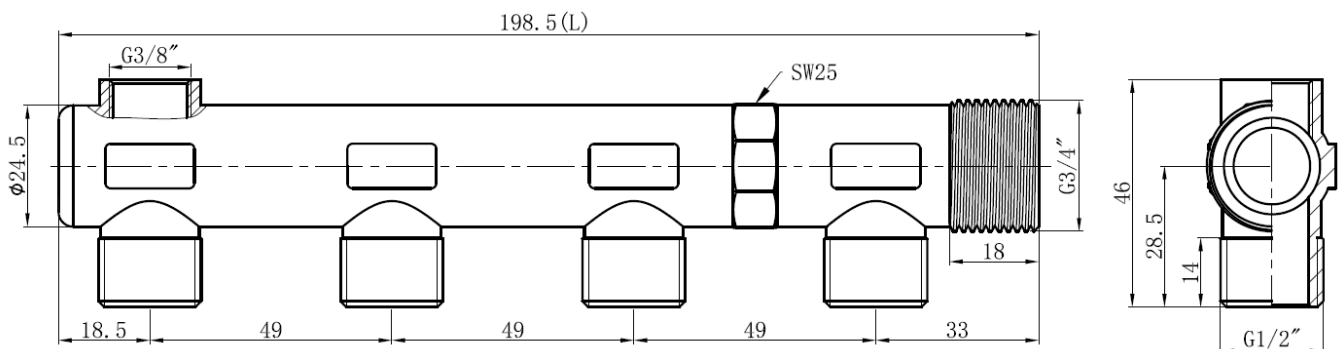
## Performances

Medium	Water, glycol solutions (Max. percentage of glycol is 30%)
Working temperature range	5~100°C
Maximum working pressure	10bar
Centre distance	49mm
Materials	Brass

## Dimensions



Code	No. of outlets	L
ZL11532015002	2	100.5



Code	No. of outlets	L
ZL11532015004	4	198.5