

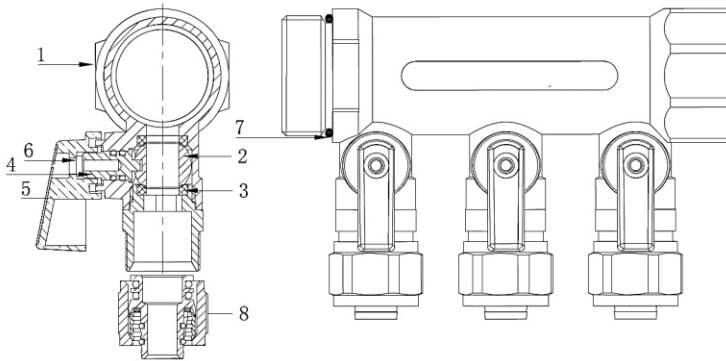
**BRASS MANIFOLD**  
**DATA SHEET**  
**ZL-1160 series**



## Performances

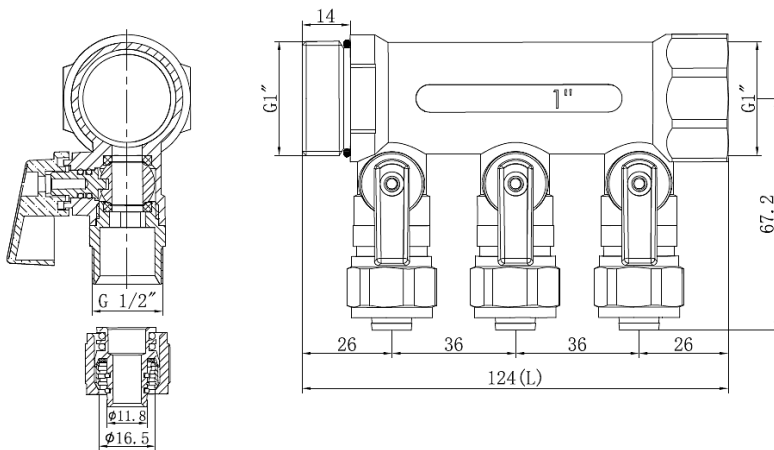
Medium	Water, glycol solutions (Max. percentage of glycol is 30%)
Working temperature range	5~100°C
Maximum working pressure	10bar
Materials	Brass

## Characteristic Components



No.	Components	Material
1	Manifold Body	Brass
2	Valve ball	Brass
3	Plastic spring	PTFE
4	Valve stem	Brass
5	Handwheel	Al
6	The cross screw	Q235
7	Seals	EPDM
8	Adaptors	Brass

## Dimensions



Code	No. of outlets	L
ZL116025002	2	88
ZL116025003	3	124
ZL116025004	4	160
ZL116025005	5	196
ZL116025006	6	232