

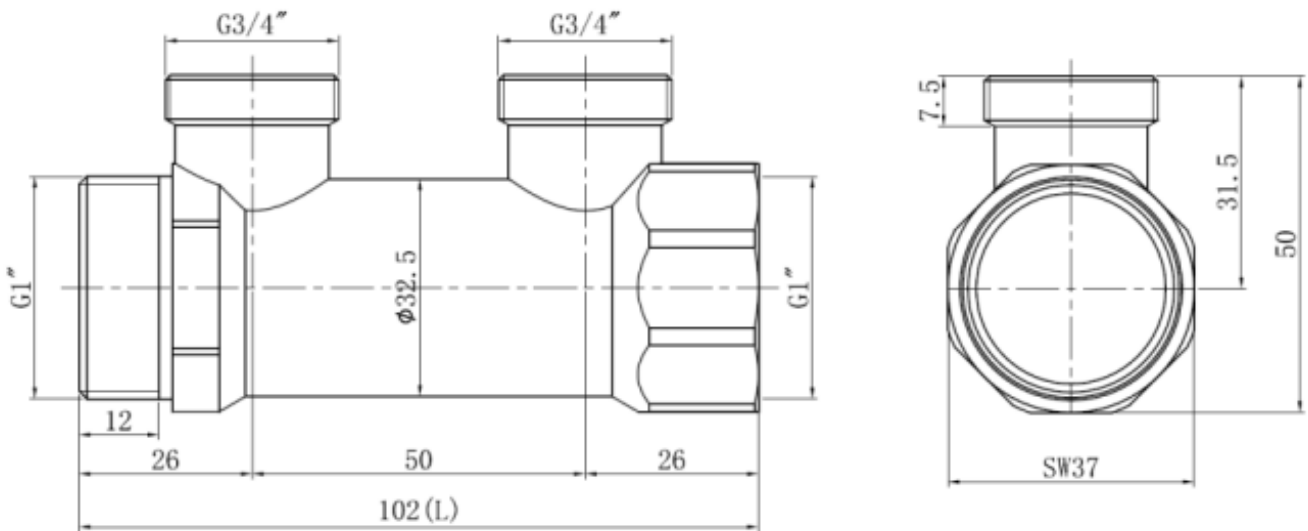
BRASS MANIFOLD
DATA SHEET
ZL-1177B series



Performances

| | |
|---------------------------|--|
| Medium | Water, glycol solutions (Max. percentage of glycol is 30%) |
| Working temperature range | 5~100°C |
| Maximum working pressure | 10bar |
| Centre distance | 50mm |
| Materials | Brass |

Dimensions



| Code | No. of outlets | L |
|----------------|----------------|-----|
| ZL1177B2520002 | 2 | 102 |
| ZL1177B2520003 | 3 | 152 |
| ZL1177B2520004 | 4 | 202 |