

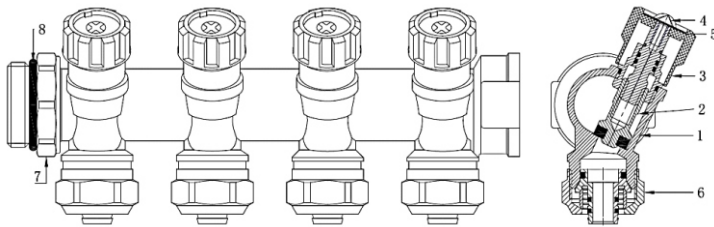
**BRASS MANIFOLD
DATA SHEET
ZL-1190**



Performances

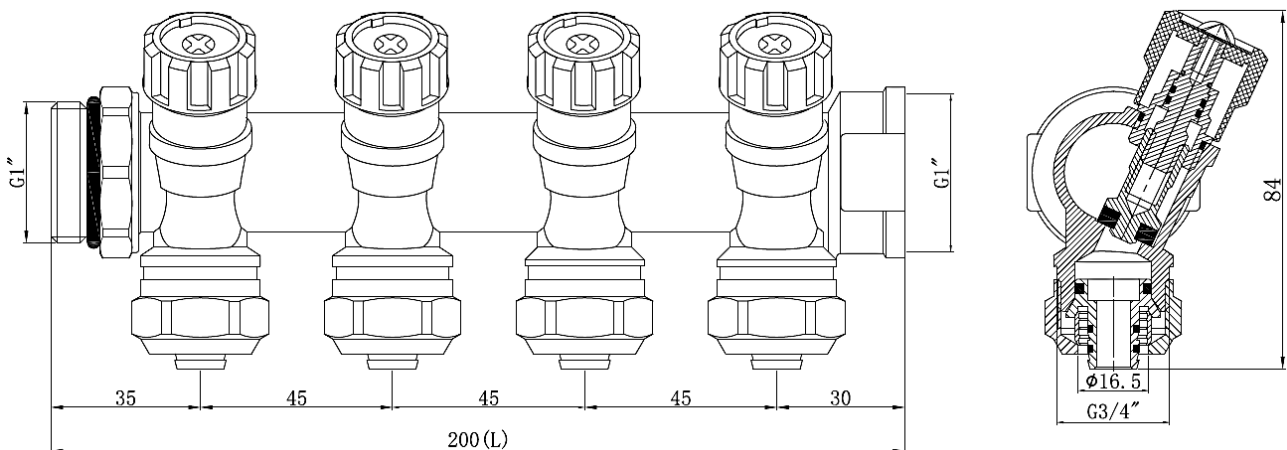
Medium	Water, glycol solutions (Max. percentage of glycol is 30%)
Working temperature range	5~100°C
Maximum working pressure	10bar
Centre distance	45mm
Materials	Brass

Characteristic Components



No.	Components	Material
1	Manifold Body	Brass
2	Valve core	Brass
3	Handwheel	PVC
4	The cross screw	A304
5	Aluminium backing	Al
6	Adaptors	Brass
7	Lock cap	Brass
8	Seals	EPDM

Dimensions



Code	No. of outlets	L
ZL119025002	2	110
ZL119025003	3	155
ZL119025004	4	200