

Stainless steel water splitter
ZL-1185s

Contact
Email: sales2@bzvalve.com



DESCRIPTION



The water splitter is used in the supply system, which is suitable for the supply of heat sink and grounding system. The water intake end is equipped with a flow regulating valve core, which can accurately adjust the flow of each exit. The flow meter regulating valve is equipped with a protective cap. After the flow adjustment is completed, the protective cap can be tightened to prevent misunderstanding. The back of the water is equipped with a spring valve core to cut the flow of the flow to each branch. They can also install thermal electric actuator to achieve automatic temperature control. The itinerary of the electric heating actuator is 3mm.

Technical Parameters

medium

range of working temperature

Maximum work pressure

Subject connection

Export connection

Center distance

Water, ethylene glycol solution The maximum percentage of ethylene glycol is 30%

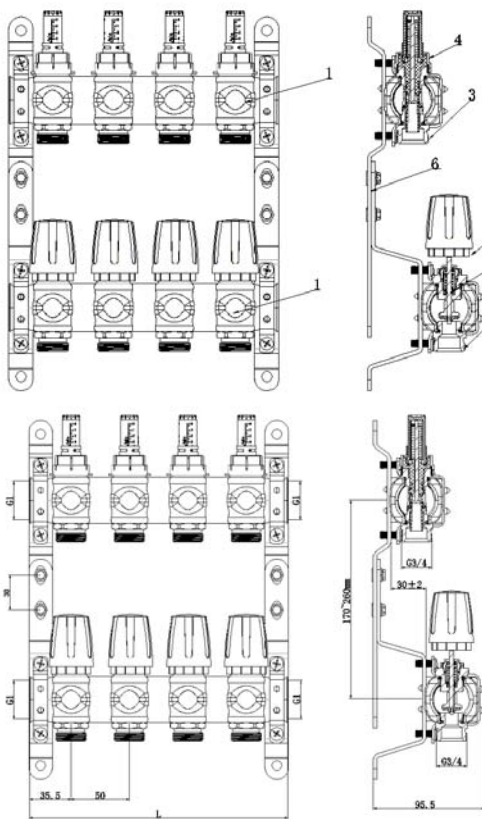
5~100°C

10bar

G1" F (ISO 228-1)

G3/4" M (ISO 228-1)

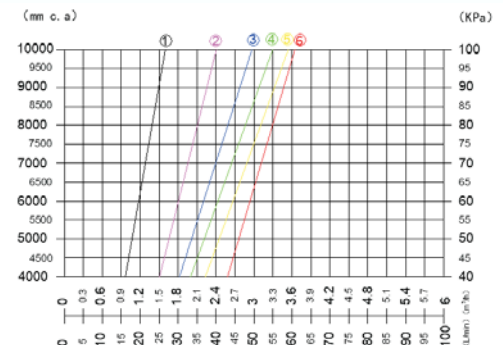
50mm



Code	No. of outlets	L/mm
ZL1185S002	2	121
ZL1185S003	3	171
ZL1185S004	4	221
ZL1185S005	5	271
ZL1185S006	6	321
ZL1185S007	7	371
ZL1185S008	8	421
ZL1185S009	9	471
ZL1185S010	10	521
ZL1185S011	11	571
ZL1185S012	12	621

No.	Name	Material
1	director	304
2	Spring valve core	copper
3	Lower pile joint	copper
4	Manual valve core	copper
5	Hand wheel	ABS
6	Bracket	A3

Flow curve



Turns	1	2	3	4	5	6
Kv	1.61	2.41	2.93	3.31	3.54	3.67