

End Pieces
DATA SHEET
ZL-2820 series



Description

The end pieces are specially designed for water manifold, and integrate exhaust and drainage function.

Technical Specifications

Performance

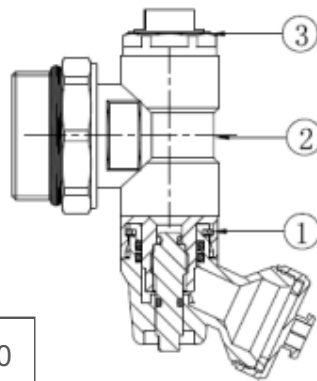
- Applicable medium: Water, glycol solutions
Max. percentage of glycol is 30%
- Maximum pressure for air valve: 10bar
- Maximum working temperature: 110°C

Materials

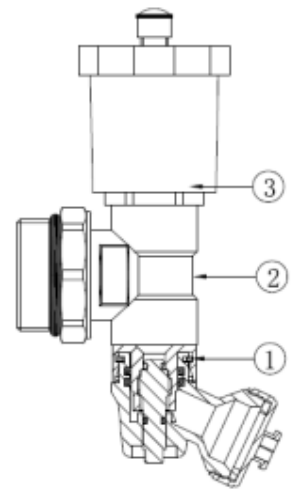
Valve Body	Brass
Handle	AL
Seals	EPDM

Characteristic Components

1-Drain valve (ZL286112) 2-Triple-valve body
3-Air vent (ZL990202 manual air vent /ZL7311 automatic air vent)

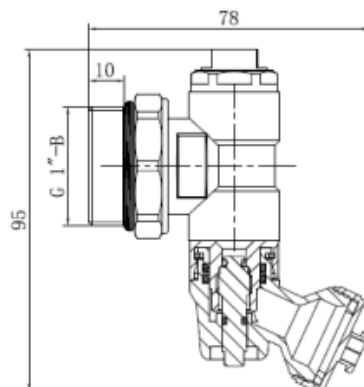


Code ZL2820

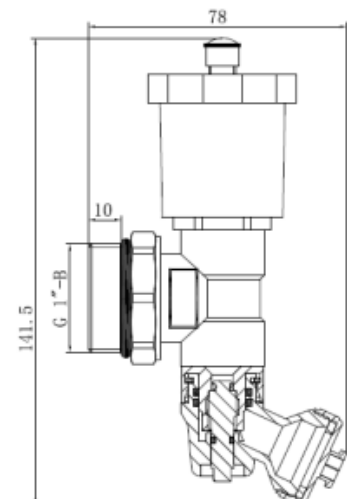


Code ZL2820B

Dimensions



Code ZL2820



Code ZL2820B