

# Drain Valve DATA SHEET ZL-2861 Series



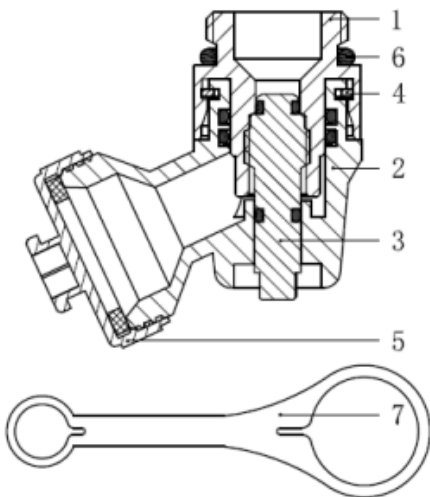
# Description

Drain function.

## Performance

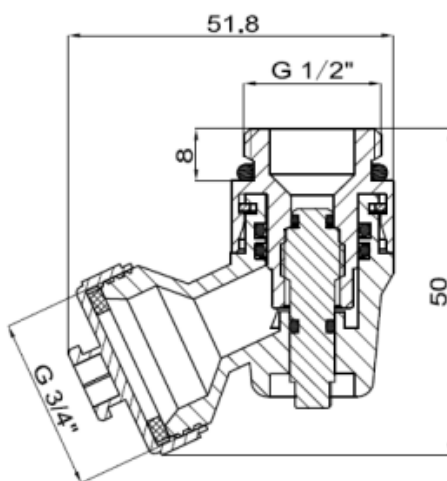
- Applicable medium: Water, glycol solutions  
Max. percentage of glycol is 30%
- Maximum pressure for air valve: 10bar
- Maximum working temperature: 110°C

## Characteristic Components

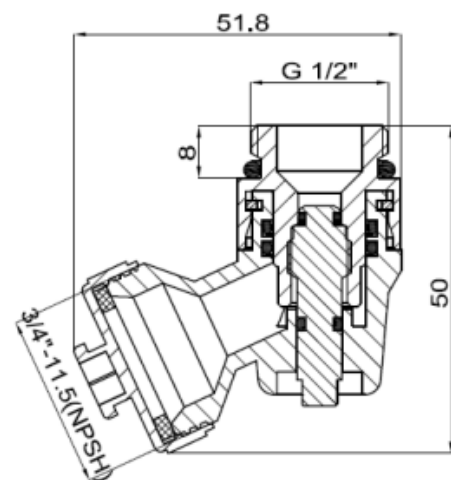


No.	Components	Materials
1	Valve seat	Brass
2	Valve body	Brass
3	Valve stem	Brass
4	Check ring	A304
5	Plug cap	Brass
6	Seals	EPDM
7	Connecting band	EPDM

## Dimensions



Code	ZL286112
------	----------



Code	ZL2861M12
------	-----------