

Plastic Drain Valve DATA SHEET ZL-4245



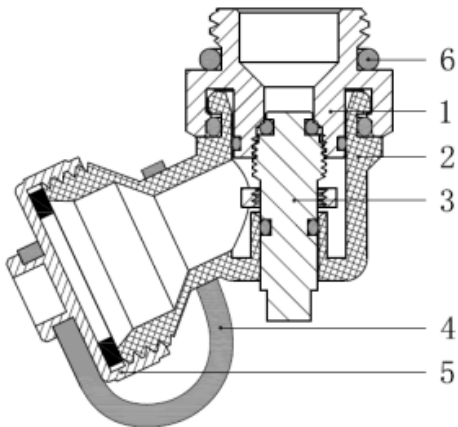
Description

Plastic body & Drain function.

Performance

- Applicable medium: Water, glycol solutions
Max. percentage of glycol is 30%
- Maximum pressure for air valve: 10bar
- Maximum working temperature: 110°C

Characteristic Components



No.	Components	Materials
1	Valve seat	Brass
2	Plastic body	Pa66
3	Valve stem	Brass
4	Connecting band	EPDM
5	Plug cap	Brass
6	Seals	EPDM

Dimensions

Code	ZL424512
------	----------

