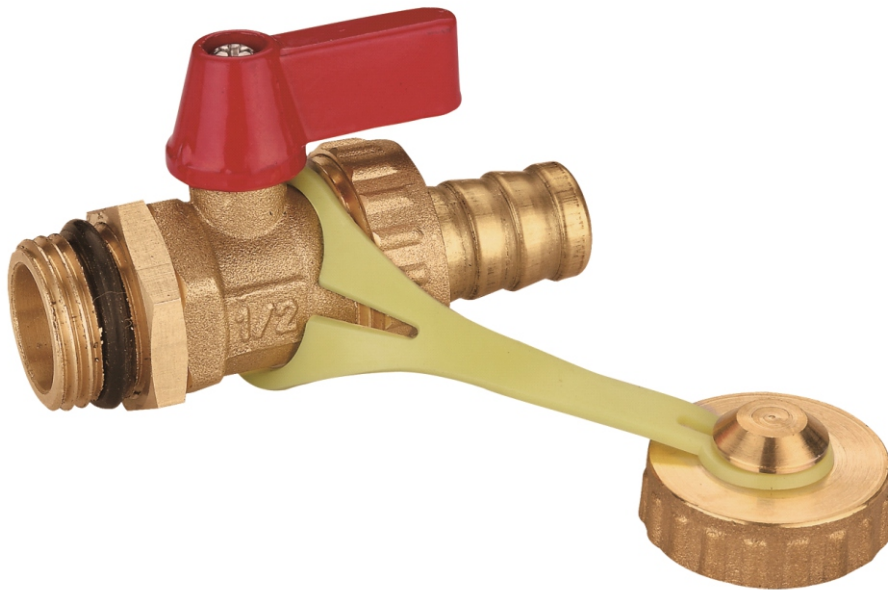


Drain Valve DATA SHEET ZL-4248



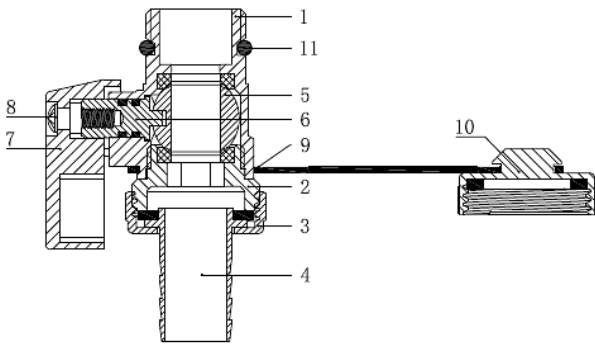
Description

Drain function, with drain cover and drain hose connection.

Performance

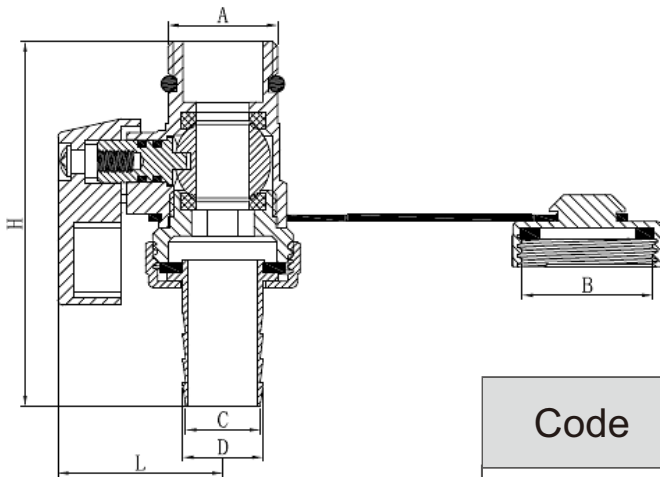
- Applicable medium: Water, glycol solutions
Max. percentage of glycol is 30%
- Maximum pressure for air valve: 10bar
- Maximum working temperature: 110°C

Characteristic Components



No.	Components	Materials
1	Valve Body	Brass
2	Valve bonnet	Brass
3	Drain cover	Brass
4	Drain hose connection	Brass
5	Valve ball	Brass
6	Valve stem	Brass
7	Handle	Al
8	Lock screw	A304
9	Connecting band	PVC
10	Plug cap	Brass
11	Seals	EPDM

Dimensions



Code	A	B	C	D	L	H
ZL424812	G1/2"	G3/4"	Φ14	Φ15	31	68.5