

Stainless steel water splitter  
ZL-1175Y

Contact  
Email:[sales2@bzvalve.com](mailto:sales2@bzvalve.com)





## DESCRIPTION

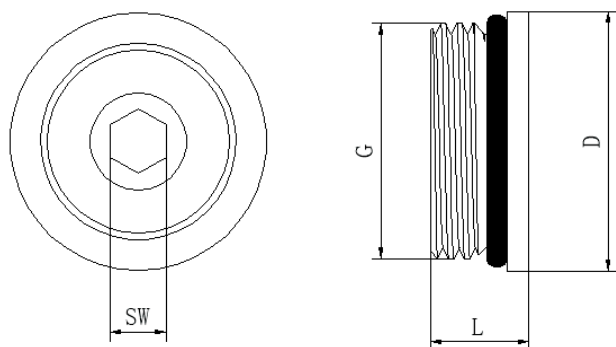
Used to block excess or unnecessary exit, connect to pipelines through threads, and block

Equipped with a sealing ring can ensure the sealing, and the hexagon wrench is tightened to save the installation space.

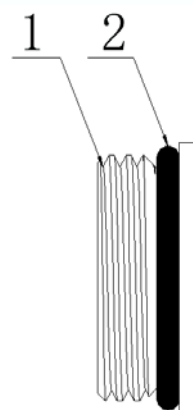
## Application

Applicable medium: water  
 Maximum work pressure: 10bar  
 The most working temperature: 110 °C

## Size



SW	G	L	D
8	G1"	14	36.8



number	name	material
1	Block	copper
2	O -type circle	EPDM