

Adjustable Constant Temperature Mixing Valve

Data sheet

ZL-2132



Description

The mixing valve is designed to maintain a certain temperature in the hot water system.

The mixing valve eliminates the danger of completely cutting off the cold water, which allows it to be used in public buildings, schools and kindergartens.

The mixing valve responds quickly to temperature and pressure



Technical Specifications

Materials

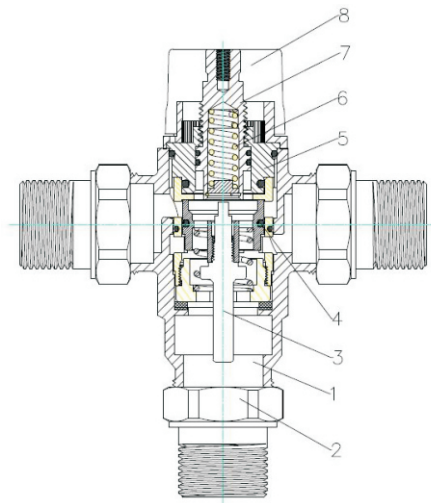
Body	Brass
connections	Brass
Hand wheel	ABS
Seals	EPDM
Spring	Stainless steel

Per formance

Maximum static pressure	16bar
Working pressure	≤ 4bar
Temperature adjustment range	38~60°C
Temperature control precision	± 2°C
Surface	Chrome Plated

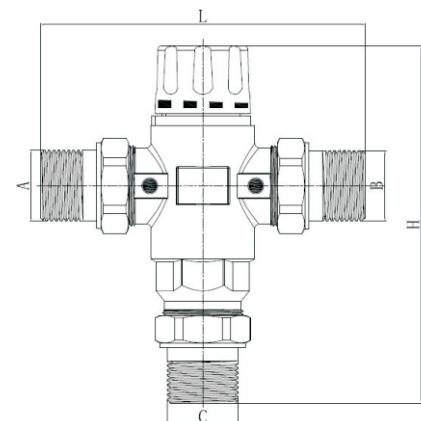
Characteristic

No.	Components
1	Valve body
2	Connections
3	Temperature-sensing element
4	Seals
5	Lock Nut
6	Spring
7	Regulating stem
8	Hand wheel



Dimensions

Code	A	B	C	H	L
ZL21321212	1/2"	1/2"	1/2"	150	115
ZL21323434	3/4"	3/4"	3/4"	153	121
ZL21320101	1"	1"	1"	158	125



Hydraulic Characteristics

