

Constant temperature mixed valve
ZL-2582

Contact
Email: sales2@bzvalve.com





DESCRIPTION

The constant temperature mixed valve can keep the thermal water system at a certain temperature. The mixture valve eliminates the risk of completely cutting cold water, so that it can be applied to public buildings, schools and kindergartens. This mixture responds rapidly to temperature and pressure.

Specifications

Material

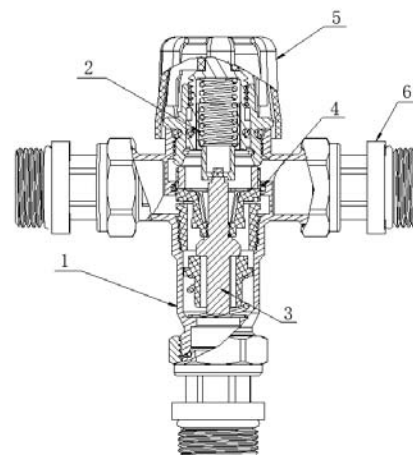
substance	Brass
Valve core	Brass
Hand wheel	ABS
Seals	EPDM
spring	304

Technical Parameters

Higher work pressure	10bar
Dynamic work pressure	1-5bar
Export temperature range	35~50°C
Temperatur econtrola ccuracy	±2°C
surface	Nickel plating

Characteristic component

No.	Components
1	Valve body
2	spring
3	Hot -sensitive element
4	Seals
5	Adjust the handwheel
6	Living component



Size

G	L	A	H
G3/4"	159	89	140

