

Radiator valve series

ZL-2441,ZL-2442,

ZL-2443,ZL-2444,

ZL-2445,ZL-2446,ZL-2447

Contact

Email:sales2@bzvalve.com



DESCRIPTION

ZL-2441,ZL-2442

Corner manual gel valves and direct manual air valve are suitable for terminal control of the supply system. It can manually adjust and set the heat of the radiator to maintain the setting temperature of the room

ZL-2443,ZL-2444

Corner -type water return valve and type of water return valve are suitable for terminal loop control of the supply system. It is used to cut off or open the flow of water back to maintain normalization. It can be used with manual air valve and automatic TRV temperature control valve to keep the room setting temperature.

ZL-2445,ZL-2446,2447

Direct temperature control valve, angle temperature control valve, and reflective temperature control valve are suitable for terminal control of the system supply system. It can automatically adjust and set the heat of the radiator to maintain the setting temperature of the room



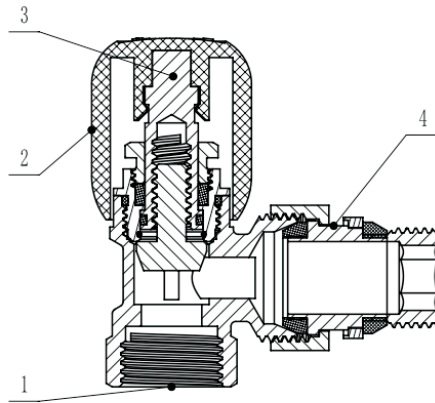
Technical Specificiathan

Applicable medium: Cold water, hot water
Work pressure: $\leq 1\text{MPa}$

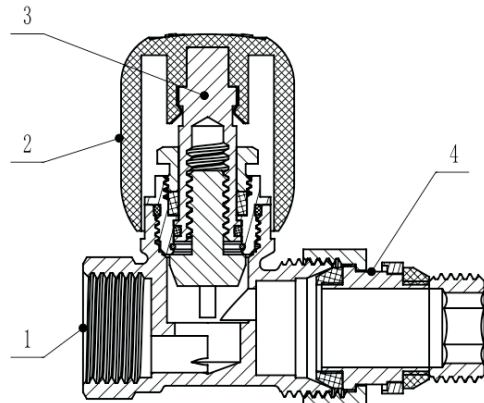
Operating temperature: $0\sim 100^{\circ}\text{C}$
Thread standard: IS0228-1

Material

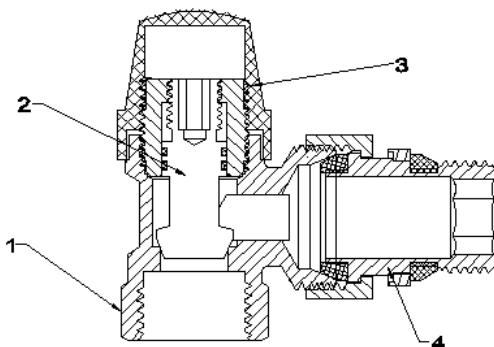
ZL-2441



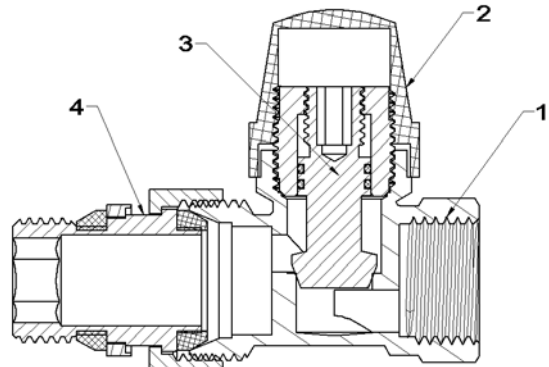
ZL-2442



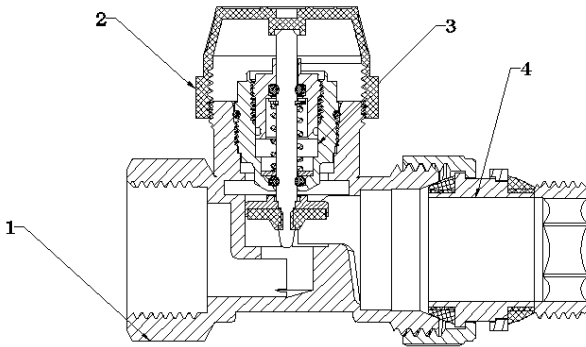
ZL-2443



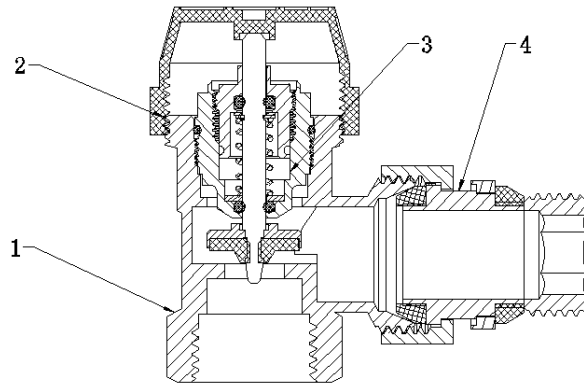
ZL-2444



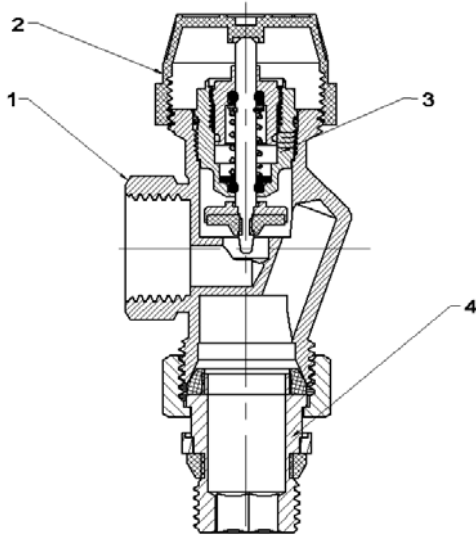
ZL-2445



ZL-2446



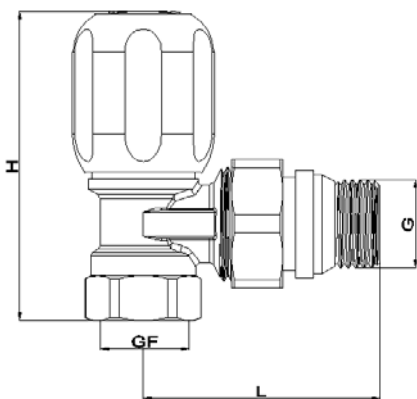
ZL-2447



No.	Components	Material
1	Valve body	Brass
2	Hand wheel	ABS
3	Valve core	Brass
4	Nipple	Brass

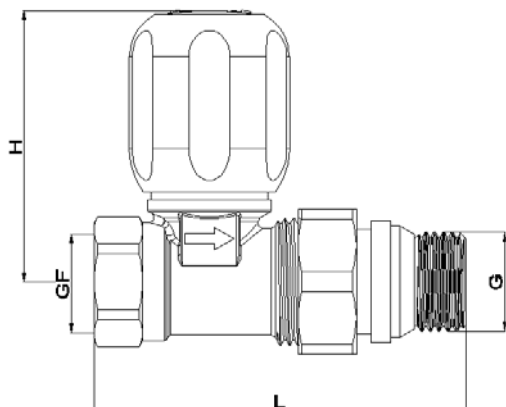
Material

ZL-2441



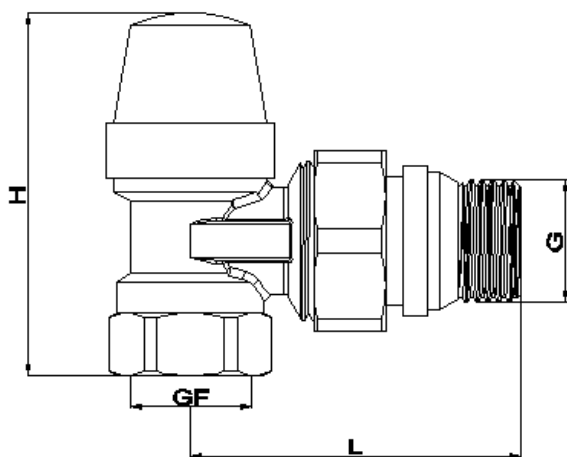
Size/mm	L	H	G	GF
DN15	55	72	G1/2"	G1/2"
DN20	57.5	75	G3/4"	G3/4"

ZL-2442



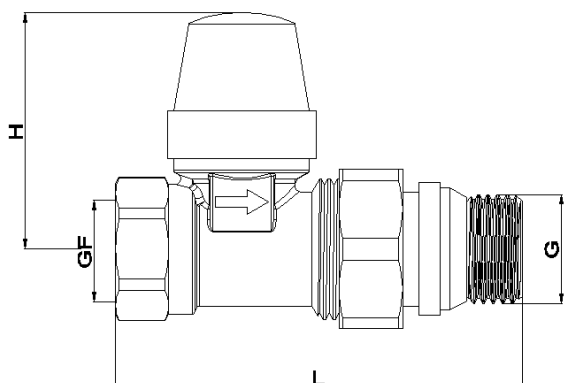
Size/mm	L	H	G	GF
DN15	76.5	56	G1/2"	G1/2"
DN20	78.5	61	G3/4"	G3/4"

ZL-2443



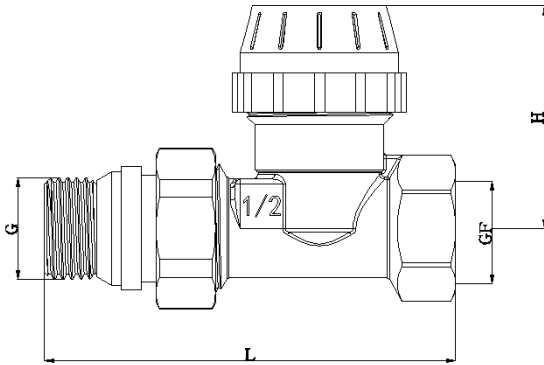
Size/mm	L	H	G	GF
DN15	55	60.5	G1/2"	G1/2"
DN20	57.5	63.5	G3/4"	G3/4"

ZL-2444



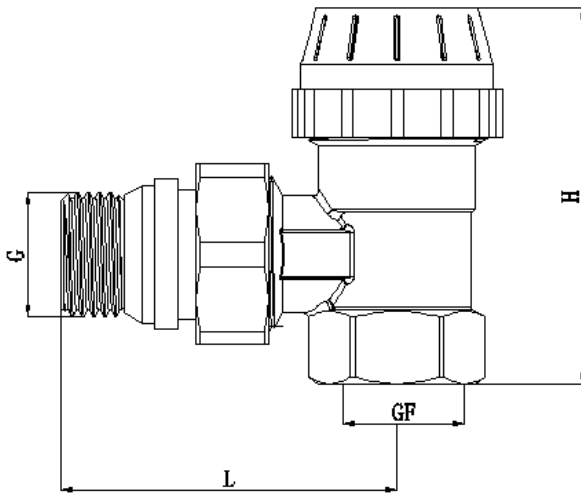
Size/mm	L	H	G	GF
DN15	76.5	44.5	G1/2"	G1/2"
DN20	78.5	50.5	G3/4"	G3/4"

ZL-2445



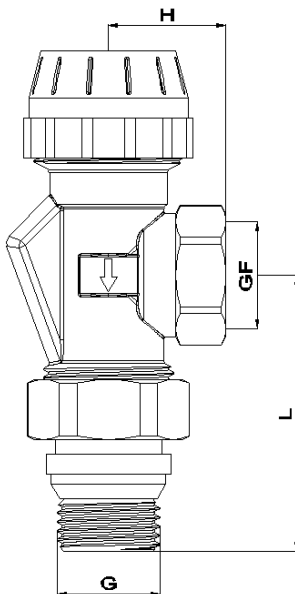
Size/mm	L	H	G	GF
DN15	82	45	G1/2"	G1/2"
DN20	88	47	G3/4"	G3/4"

ZL-2446



Size/mm	L	H	G	GF
DN15	55	62.5	G1/2"	G1/2"
DN20	57	73.5	G3/4"	G3/4"

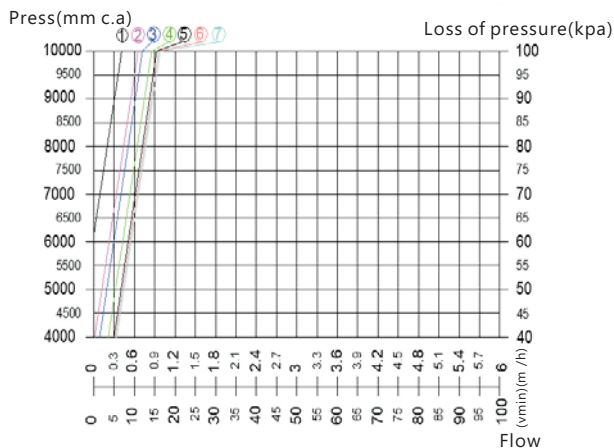
ZL-2447



Size/mm	L	H	G	GF
DN15	55	23.5	G1/2"	G1/2"

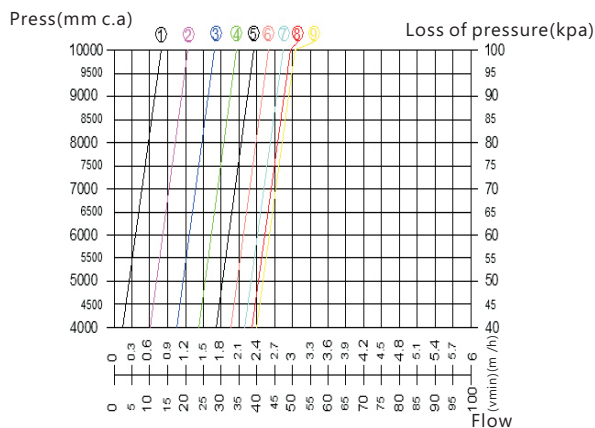
Flow curve

ZL-2441, DN15



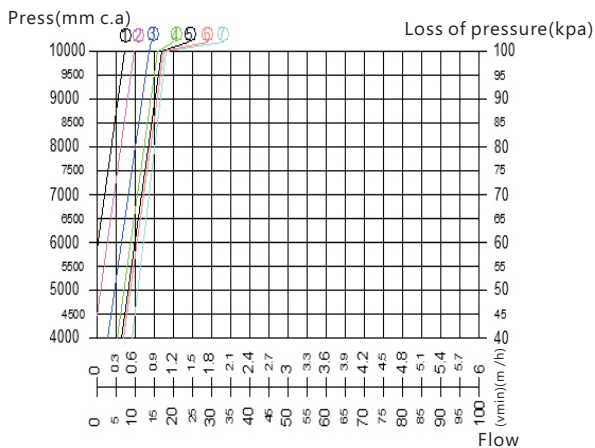
Opening Turns	①	②	③	④	⑤	⑥	⑦
	1/2开度	1开度	1 1/2开度	2开度	2 1/2开度	3开度	4开度
KVS	0.41	0.65	0.72	0.85	0.93	0.96	0.98

ZL-2441, DN20



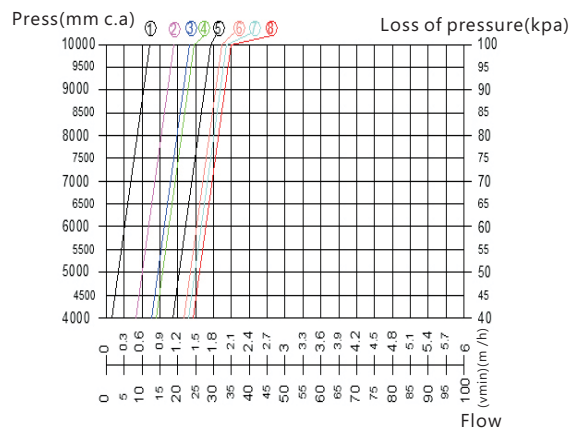
Opening Turns	①	②	③	④	⑤	⑥	⑦	⑧	⑨
	1/2开度	1开度	1 1/2开度	2开度	2 1/2开度	3开度	3 1/2开度	4开度	5开度
KVS	0.79	1.24	1.69	2.06	2.35	2.6	2.84	2.96	3.04

ZL-2442, DN15



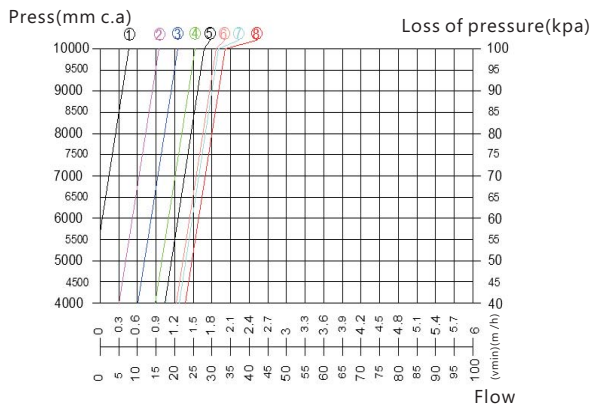
Opening Turns	①	②	③	④	⑤	⑥	⑦
	1/2开度	1开度	1 1/2开度	2开度	2 1/2开度	3开度	4开度
KVS	0.44	0.59	0.81	0.95	1.02	1.06	1.08

ZL-2442, DN20



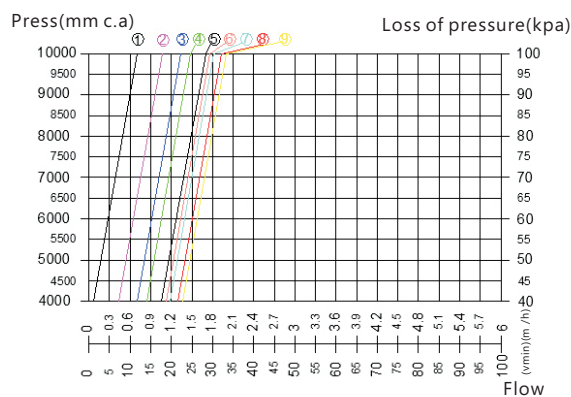
Opening Turns	①	②	③	④	⑤	⑥	⑦	⑧
	1/2开度	1开度	1 1/2开度	2开度	2 1/2开度	3开度	3 1/2开度	4开度
KVS	0.73	1.13	1.4	1.58	1.76	1.94	2.02	2.09

ZL-2443, DN15



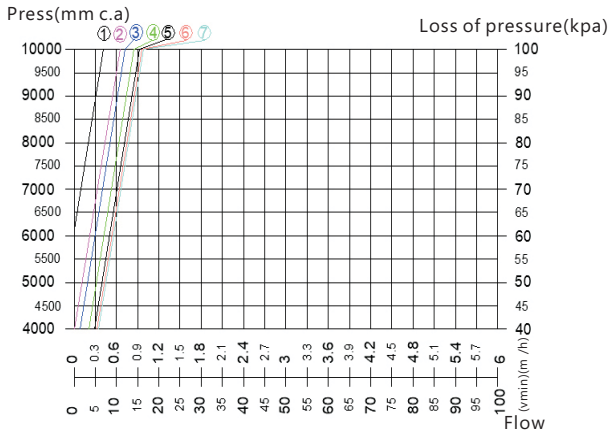
Opening Turns	①	②	③	④	⑤	⑥	⑦	⑧
	1/2开度	1开度	1 1/2开度	2开度	2 1/2开度	3开度	3 1/2开度	4开度
KVS	0.46	0.95	1.25	1.53	1.68	1.87	1.91	2.01

ZL-2443, DN20



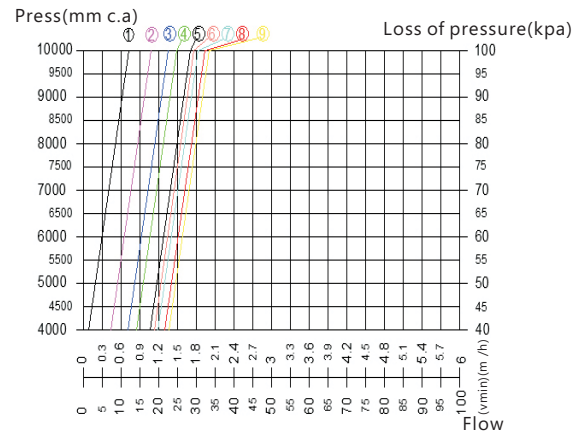
Opening Turns	①	②	③	④	⑤	⑥	⑦	⑧	⑨
	1/2开度	1开度	1 1/2开度	2开度	2 1/2开度	3开度	3 1/2开度	4开度	4 1/2开度
KVS	0.71	1.07	1.34	1.48	1.7	1.76	1.82	1.93	2

ZL-2444, DN15



Opening Turns	①	②	③	④	⑤	⑥	⑦
	1/2开度	1开度	1 1/2开度	2开度	2 1/2开度	3开度	4开度
KVS	0.41	0.65	0.72	0.85	0.93	0.96	0.98

ZL-2444, DN15



Opening Turns	①	②	③	④	⑤	⑥	⑦	⑧	⑨
	1/2开度	1开度	1 1/2开度	2开度	2 1/2开度	3开度	3 1/2开度	4开度	4 1/2开度
KVS	0.71	1.07	1.34	1.48	1.7	1.76	1.82	1.93	2

Flow curve



Temperature lag:	1.0K	Maximum allowable pressure difference:	1bar
Temperature adjustment range:	6~28°C	Heat resistance:	110 °C
Maximum work pressure:	10bar	Stroke:	4.5mm
		Thread:	M30x1.5

Comparison between scale and temperature:

Scale Value	0	*	1	2	3	4	5
Room Temperature	Close	6°C	12°C	16°C	20°C	24°C	28°C

Note: Discover the hand wheel and install the temperature control head to the temperature control valve to tighten it. The wrench is disabled.