

**Stainless Steel High Pressure Pipe Fittings -
3000LBS UNION, F/F
DATA SHEET
ZL-S8518 Series**



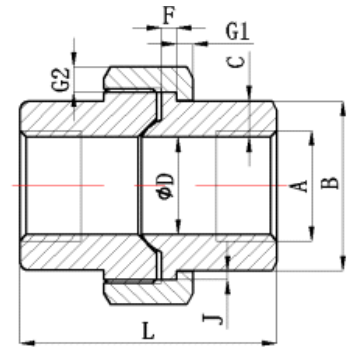
Description

Available in a variety of sizes:

S8518-1/4"F*1/4"F-00
S8518-3/8"F*3/8"F-00
S8518-1/2"F*1/2"F-00
S8518-3/4"F*3/4"F-00
S8518-1"F*1"F-00
S8518-1 1/4"F*1 1/4"F-00
S8518-1 1/2"F*1 1/2"F-00
S8518-2"F*2"F-00

Specifications

Connection 1	1/4 in to 2 in Rc Female
Connection 2	1/4 in to 2 in Rc Female
Shape	Octagon
Fitting Type	Union
Fitting Direction	Straight
Connection Gender 1	Female
Connection Gender 2	Female
Thread Standard 1	Rc (taper)
Thread Standard 2	Rc (taper)
Material	316 Stainless Steel
Conformity	MSS SP-83



Dimensions

Code	A	B	C	ΦD	F	J	G1	G2	L	Weight(g)
ZLS8518DN08	1/4"NPS	24.4	6.6	11	4.3	1.5	3.3	5.1	43.8	245.1
ZLS8518DN10	3/8" NPS	24.4	4.8	12.2	4	1.7	3.3	5.1	39.7	213.3
ZLS8518DN15	1/2" NPS	28.1	4.6	16.5	3.6	1.9	4	5.8	46.7	305.4
ZLS8518DN20	3/4" NPS	34.7	5.8	21.8	4.3	2.5	4	5.8	54.4	463
ZLS8518DN25	1" NPS	42.2	6.3	26.5	5.8	2.6	5	6.7	59	709.6
ZLS8518DN32	1 1/4" NPS	51	5.9	34.5	5.8	2.2	4.9	6.8	70.9	1051
ZLS8518DN40	1 1/2" NPS	57.3	6.5	41.5	5.3	2.1	5	7.4	74	1258.6
ZLS8518DN50	2" NPS	69.2	6.9	54.5	5.4	2.6	10	9.8	87.5	2080