

Stainless Steel Low Pressure Pipe Fittings - UNION F/F DATA SHEET ZL-S8508 Series



Description

Brought to you by ZL, a series of stainless steel threaded fittings, suitable for applications requiring a secure and reliable pipe connection. Heavily used within the plumbing industry, water and gas will flow through in a tightly sealed construction. These octagon nipple fittings are made from a durable 316 stainless steel to ensure a simple and secure connection for pipe and hose work. All models are highly reliable and excellent quality.

Available in a variety of sizes:

S8508-1/4"M*1/4"M-01
S8508-3/8"M*3/8"M-01
S8508-1/2"M*1/2"M-01
S8508-3/4"M*3/4"M-01
S8508-1"M*1"M-01
S8508-1 1/4"M*1 1/4"M-01
S8508-1 1/2"M*1 1/2"M-01
S8508-2"M*2"M-01

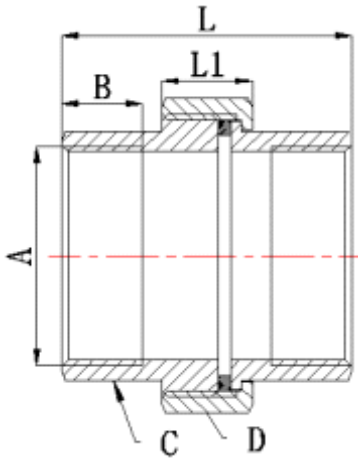
FEATURES

- ∞ 316 Stainless Steel
- ∞ 150lbs fitting
- ∞ BSPT tapered & BSPP parallel connections
- ∞ Various sizes available
- ∞ Octagan nipple (straight union)

General Specifications

Connection 1	1/4 in to 2 in G Female
Connection 2	1/4 in to 2 in G Female
Shape	Octagon
Fitting Type	Union
Fitting Direction	Straight
Connection Gender 1	Female
Connection Gender 2	Female
Thread Standard 1	G (parallel)
Thread Standard 2	G (parallel)
Material	316 Stainless Steel
Application	All throughout the home (bathroom, kitchen etc.)Any building with running water, heating or gas; Sewage and underground networks; Ships and boats; Car engines

Dimensions



Code	A	B	C	D	L	L1	Weight(g)
ZLS8508DN08	G1/4"	11	Sw17	Sw29	33	14	67.6
ZLS8508DN10	G3/8"	11.5	Sw21	Sw33	36	14.5	95.0
ZLS8508DN15	G1/2"	10.5	Sw25	SW37.5	39.5	16.5	126.5
ZLS8508DN20	G3/4"	11.5	Sw31	Sw46	42.5	17.5	194.0
ZLS8508DN25	G1"	13	Sw38	Sw54	46.5	18.5	269.0
ZLS8508DN32	G1 1/4"	15	Sw47	Sw64	53	21	429.0
ZLS8508DN40	G1 1/2"	16	Sw53	Sw71	57	23	537.5
ZLS8508DN50	G2"	18.5	Sw65	Sw85	63	25	769.6