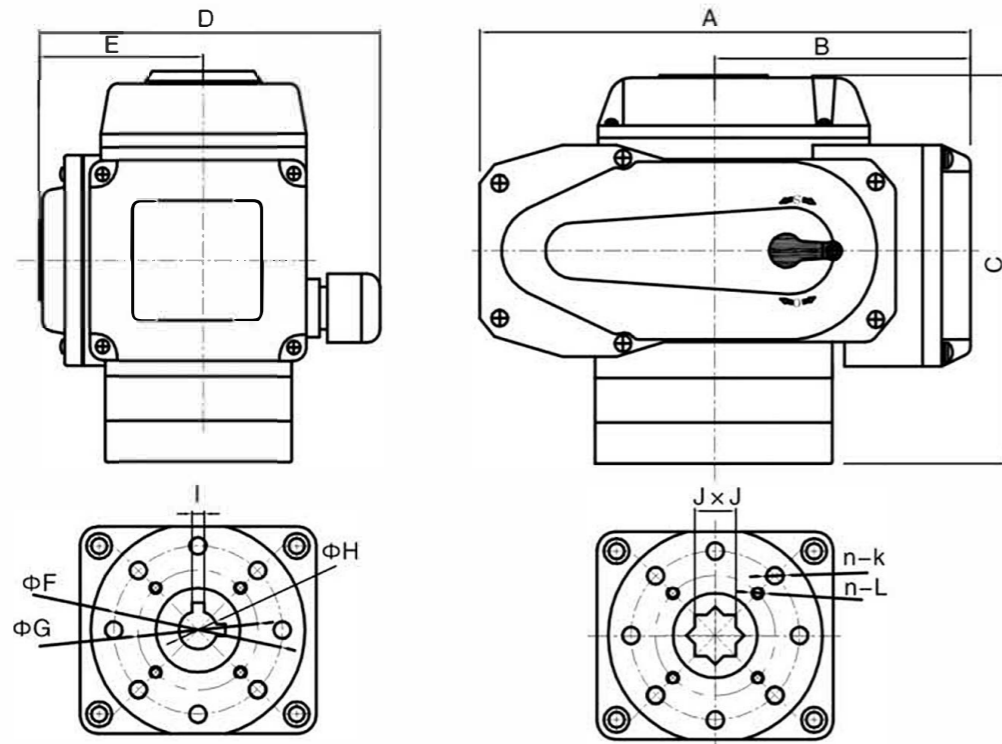


◆外观尺寸 GENERAL DRAWING



型号 Model	A	B	C	D	E	F	G	H	I	J×J	K	L
JM-05	165	72	152	134	67	Φ50	Φ36	Φ12.8	3	11×11	4-M6	4-M6
JM-10	204	98.5	159	140	75	Φ70	Φ50	Φ16	5	14×14	4-M8	4-M6
JM-15	204	98.5	159	140	75	Φ70	Φ50	Φ19.1	5	17×17	4-M8	4-M6
JM-25	257	119	193	178	90	Φ102	Φ70	Φ22.3	5	22×22	4-M10	4-M8
JM-50	257	119	193	178	90	Φ102	Φ70	Φ28.8	5	22×22	4-M10	4-M8
JM-100	280	153	160	172	90	Φ125	Φ102	Φ31.8	8	36×36	4-M12	4-M10
JM-200	280	153	160	172	90	Φ140	Φ125	Φ33.4	10	36×36	4-M14	4-M12



**JM Electric Actuator**  
JM 电动执行器



浙江吉迈自动化科技有限公司  
ZHEJIANG JIMAI AUTO-TECH CO., LTD.

本画册刊载的资料仅供参考，如有更改恕不另行通知。  
浙江吉迈自动化科技有限公司版权所有，翻版必究！

ADD: He'er Industrial Area Oubei Town, Yongjia County,  
Wenzhou city, Zhejiang Province, China.

TEL: +86-577-66998661 Phone: 15058706388

E-mail: sales03@jimaiv.com

P.C: 325105

浙江吉迈自动化科技有限公司  
**ZHEJIANG JIMAI AUTO-TECH  
CO., LTD**

www.jimaiv.com

## ◆ 功能特点 Function Features

**功能强劲:**  
智能型、比例型、开关型、各类型号输出;  
全行程时间15秒、30秒、60秒等供您选择;  
智能型控制模块集成于电动装置本体中,无须外接定位器;  
**可靠性能:**  
特殊的铜合金锻造一体化蜗轮强度高、耐磨性好、传动精度高;  
优质进口轴承、电器元件等关键零部件提高了使用寿命;  
通过1500V耐压测试, F级绝缘电机安全可靠;  
IP67高标准防护等级;  
**使用方便:**  
免加油、免点检、防水防锈、任意角度安装;  
采用单相电源, 外接线路简单, 并有AC(24、110、380)  
V、DC(12、24、220)V供选择;  
**唯美外观:**  
铝合金压铸外壳, 精确流畅;  
体积和重量仅相当于传统的35%左右;

**Powerful function:**  
• Choose Intelligent type, proportion type or switch type to output all kinds of signal;  
• The whole stroke time as 15 seconds, 30 seconds, 60 seconds, etc are available for your choice;  
• Intelligent control modules are integrated in the body of electric devices, no need for installing locator;  
**Reliable performance:**  
• Special copper alloy forging integration worm wheel, intensity height, good abrasion resistance, high transmission accuracy;  
• Use high-quality import bearings, electrical components and other key components to improve the service life;  
• Passed 1500V electric strength test, class F insulation electrical machinery is safe and reliable;  
• IP67 high standards protection grade;  
**Easy to use:**  
• Non refueling, non point inspection, waterproof, anti-rust, installed at any angles;  
• Use single-phase power supply, the external circuit is simple, and AC (24, 110, 380) V, DC (12, 24, 220) V are available for your choice;  
**Beautiful appearance:**  
• Aluminum alloy die casting shell, fine and smooth;  
• The size and weight is only about 35% of the traditional one;



Control Line Area  
控制线路区

Worm Gearings  
蜗轮

ISO5211 Actuator Mounting  
ISO5211连接盘

## ◆ 技术参数及扭矩 Technical Data and Torque

型号 Model	JM 05	JM 10	JM 15	JM 25	JM 50	JM 100	JM 200
电源 Power	AC24V、AC110V、AC220V、AC380V、AC400V、DC24V						
力矩 Torque	50N.M	100N.M	150N.M	250N.M	500N.M	1000N.M	2000N.M
行程时间 Stroke time	12/25S		15/30S			50/100S	
电机功率 Motor power	15W	25W	30W	45W	90W	110W	110W
保护 Protection	电机过热保护 (120°C) Motor overheating protection (120°C)						
转动角度 Angle of rotation	0~90°						
环境温度 Environmental temperature	-10~+60°C						
耐压值 Withstand voltage	1500V						
启动电流 Starting current	0.25A	0.6A	0.68A	0.76A	1.2A	1.36A	1.36A
工作电流 Working current	0.25A	0.52A	0.55A	0.70A	1.15A	1.28A	1.28A
防护等级 Protection grade	相当于IP67标准 Equivalent of IP67 standard						
限位 Limit	电动时: 全开全闭极限开关; 手动时: 机械挡块 Electric: fully open to fully closed limit switch; Manual: mechanical block						
重量 Weight	2.8Kg	4.2Kg	4.5Kg	7.2Kg	7.5Kg	12.5Kg	12.5Kg
输入信号 Input signal	4~20mA 0~10V 1~5V						
输出信号 Output signal	4~20mA 0~10V 1~5V						



On-off Type  
开关型



Modulating Type  
调节型



## ◆ 标准规格 Standard Specification

外壳 Shell	防水级别 Waterproof level IP67,NEMA4 and 6	
电机电源 Motor power	标准: 220V AC单相 可选: 110V AC单相, 380/440V AC 三相, 50/60Hz, ±10% 24V DC / 110V DC / 220V DC	Standard: 220V AC Single-phase Optional: 110V AC Single-phase, 380/440V AC Three-phase, 50/60Hz, ±10% 24V DC / 110V DC / 220V DC
电机 Motor	鼠笼式异步电机 Squirrel-cage asynchronous motor	
限位开关 Limit switch	开/关, 各1个 SPDT, 250VAC10A Open/close, each 1 SPDT, 250VAC10A	
辅助限位开关 Auxiliary limit switch	开/关, 各1个 SPDT, 250VAC10A Open/close, each 1 SPDT, 250VAC10A	
行程 Stroke	90° ±10° 0° ~27° 可选 0° ~27° Optional	
失速防护/操作温度 Stall protection / operating temperature	内置过热保护, 开115°C ±5°C/关97°C ±5°C Inside overheating protection, open 115°C ±5°C/close 97°C ±5°C	
指示器 Indicator	连续的位置指示刻度 Continuous position indicator	
手动操作 Manual operate	机械手柄 (可选装手轮) Mechanical handle (Handwheel is optional)	
自锁装置 Self-locking device	蜗轮, 蜗杆机构提供自锁 Provide self-locking by worm and worm gear	
机械限位 Mechanical limit	2个外部调整螺栓 2 piece of external adjustable bolt	
接线孔 Conduit entry	2个M18 2 Pieces M18	
环境温度 Ambient temperature	-10°C ~ +60°C	
润滑 Lubrication	铝基润滑脂(EP型) Aluminum base grease(EP type)	
材料 Material	钢, 铝合金, 铝青铜, 聚碳酸酯 Steel, aluminum alloy, aluminum bronze, polycarbonate	
环境湿度 Ambient humidity	最大90% RH Max 90% RH 非凝结 Non condensation	
抗震性能 Anti-vibration performance	XYZ10g, 0.2~34Hz, 30分钟 XYZ10g, 0.2~34Hz, 30 Minutes	
外涂层 External coating	干粉, 环氧聚酯 Dry powder, epoxy polyester	

## ◆ 可选规格 Optional Specifications

编号 No	可选配置 Optional configuration	备注 Remarks
1	加热器 Heater	除JM-03外 JM系列 Except JM-03 JM Series
2	防水执行器(IP68, 10M, 250HR) Waterproof actuator(IP68, 10M, 250HR)	JM系列 JM Series
3	电位计(1K-10K) Potentiometer(1K-10K)	除JM-03外 Except JM-03
4	比例控制单元(输入, 输出信号)4~20mA DC/1~5V/1~10V Proportional control unit(Input, output signal)4~20mA DC/1~5V/1~10V)	除JM-03外 Except JM-03
5	现场控制单元(就地控制 开/停/关选择开关, 就地/远程切换) Field control unit(local control open/stop/close switch, local/remote control switch)	除JM-03外 Except JM-03
6	行程 Stroke 120°, 180°, 270°	JM系列 JM Series
7	直流电机(24V DC) DC motor(24V DC)	除JM-03外 Except JM-03
8	电流位置传感器(输出4~20mA DC) Current position sensor(Output 4~20mA DC)	除JM-03外 Except JM-03
9	断信号复位 Self-reset when feedback failure	