



调节型  
Modulating type

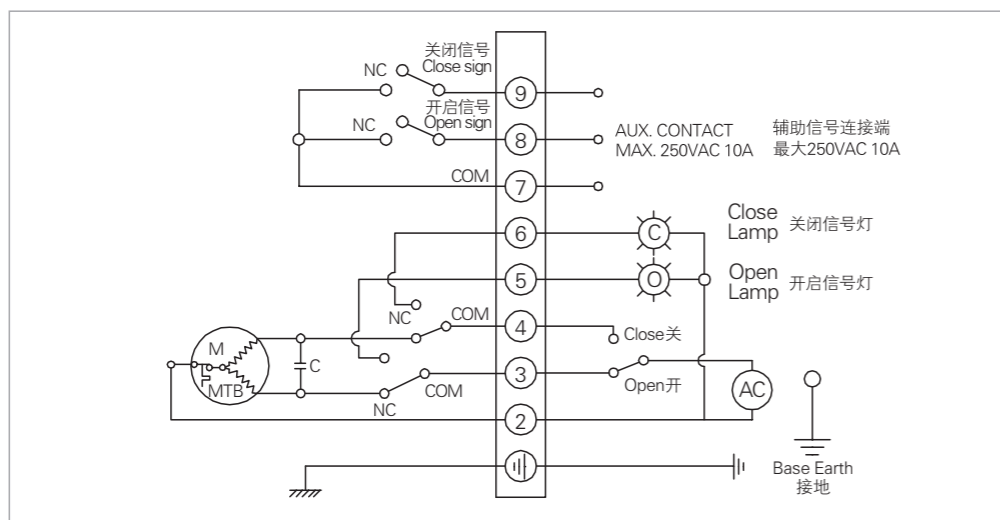
开关型  
On-off Type



**JMO Electric Actuator**  
JMO 电动执行器

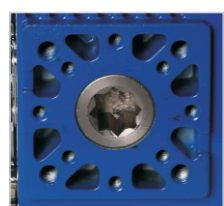
◆ 接线图 Wiring Diagram

220VAC 无源触点型 220VAC On-off Passive Type

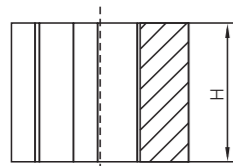
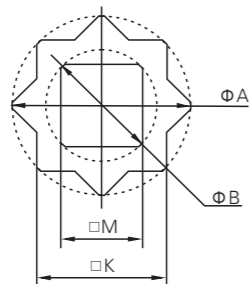


◆ 连接套规格 Adapter specifications

| Type  | K  | A  | M  | ΦB   | H  |
|-------|----|----|----|------|----|
| 11M7  | 11 | 15 | 7  | 10   | 12 |
| 11M9  | 11 | 15 | 9  | 12   | 12 |
| 14M9  | 14 | 19 | 9  | 12   | 16 |
| 14M11 | 14 | 19 | 11 | 14.8 | 16 |
| 17M11 | 17 | 23 | 11 | 14.8 | 19 |
| 17M14 | 17 | 23 | 14 | 19   | 19 |
| 19M11 | 19 | 26 | 11 | 14.8 | 21 |
| 19M14 | 19 | 26 | 14 | 19   | 21 |
| 19M17 | 19 | 26 | 17 | 23   | 21 |
| 22M14 | 22 | 30 | 14 | 19   | 24 |
| 22M17 | 22 | 30 | 17 | 23   | 24 |
| 22M19 | 22 | 30 | 19 | 26   | 24 |
| 27M17 | 27 | 37 | 17 | 23   | 29 |
| 27M19 | 27 | 37 | 19 | 26   | 29 |
| 27M22 | 27 | 37 | 22 | 30.3 | 29 |
| 36M19 | 36 | 49 | 19 | 26   | 38 |
| 36M22 | 36 | 49 | 22 | 30.3 | 38 |
| 36M27 | 36 | 49 | 27 | 37.3 | 38 |
| 46M36 | 46 | 60 | 36 | 60   | 48 |



ISO5211 连接盘  
ISO5211 Actuator Mounting



八角套  
Star Adapter



四方套  
Square Adapter

**JIMAI** 浙江吉迈自动化科技有限公司  
ZHEJIANG JIMAI AUTO-TECH CO.,LTD.

地址: 浙江省温州市瓯北镇和二工业区  
电话: 0577-67982225 67982226 67966653  
传真: 0577-67982224  
邮编: 325105

本画册刊载的资料仅供参考, 如有更改恕不另行通知。  
浙江吉迈自动化科技有限公司版权所有, 翻版必究!

ADD: He'er Industrial Park Oubei Town, Yongjia County,  
Wenzhou City, Zhejiang Province, China.  
TEL: +86-577-67966651 67966652 67966653  
FAX: +86-577-67982224  
P.C.: 325105

浙江吉迈自动化科技有限公司  
**ZHEJIANG JIMAI AUTO-TECH**  
**CO.,LTD**

www.jimaiv.com



# JMO ELECTRIC ACTUATOR

## 产品特点 Features

- 设计精巧、性能优越、重量轻、输出扭矩大。
- 外壳内外部经硬氧处理，外部采用环氧树脂+粉末喷涂处理，防腐性能好。
- 产品防护等级达IP67。
- 输出端连接尺寸符合ISO5211国际标准。
- 可换连接轴套，易于加工和安装。
- 蜗轮蜗杆结构，具有自锁功能；并具有外部可调机械限位。
- 内置热保护器，对电机进行保护。
- 大视窗连续阀位指示，更好的观看阀位。
- 多种现场控制单元，根据用户需要提供最佳的性能。
- 可选智能控制单元。
- Exquisite design, excellent performance, light weight and big output torque.
- The inside and outside of closure is treated by hard oxygen, while epoxy resin + powder spraying are adopted for external treatment, which possesses good antiseptic performance.
- Protective grade of product is upward of IP67.
- Connection dimension of output end is in accordance with the National Standard ISO5211.
- Connection shaft sleeve can be replaced, and easily processed and installed.
- Worm wheels structure, which has self-locking function, and is of external adjustable mechanical limit.
- It embedded thermal protector to carry out protection on electrical machine.
- Indicate the valve position continuously by big window for better viewing.
- Multiple filed control unit, provide the best performance according to the requirement of users.
- Intelligent control unit could be selected.

## 标准规格 Standard Specification

| 外壳 Shell  | 防水级别 Waterproof level IP67,NEMA4 and 6   |  |
|---|--|--|
| 电机电源<br>Motor power                                   | 标准: 220V AC单相<br>可选: 110V AC单相, 380/440V AC<br>三相, 50/60Hz, ±10% 24V DC / 110V DC / 220V DC      | Standard: 220V AC Single-phase<br>Optional: 110V AC Single-phase, 380/440V AC<br>Three-phase, 50/60Hz, ±10% 24V DC / 110V DC / 220V DC |
| 电机 Motor  | 鼠笼式异步电机 Squirrel-cage asynchronous motor   |  |
| 限位开关 Limit switch                                     | 开/关, 各1个 SPDT, 250VAC10A Open/close, each 1 SPDT, 250VAC10A                                      |  |
| 辅助限位开关 Auxiliary limit switch                         | 开/关, 各1个 SPDT, 250VAC10A Open/close, each 1 SPDT, 250VAC10A                                      |  |
| 行程 Stroke   | 90° ~270° ±10° (如果行程超过90° 请提前说明)<br>90° ~270° ±10° (Please specify in advance if over 90° )      | 0° ~27° 可选<br>0° ~27° Optional   |
| 失速防护/操作温度<br>Stall protection / operating temperature | 内置过热保护, 开120°C ±5°C/关97°C ±5°C<br>Inside overheating protection, open 120°C ±5°C/close 97°C ±5°C |  |
| 指示器 Indicator   | 连续的位置指示刻度 Continuous position indicator  |  |
| 手动操作 Manual operate                                   | 机械手柄 (可选装手轮) Mechanical handle (Handwheel is optional)   |  |
| 自锁装置 Self-locking device                              | 蜗轮, 蜗杆机构提供自锁 Provide self-locking by worm and wormgear   |  |
| 机械限位 Mechanical limit                                 | 2个外部调整螺栓 2pieces of external adjustable bolt   |  |
| 干燥器 Space heater                                      | 7-10W(110/220V AC)   |  |
| 接线孔 Conduit entry                                     | 2个M18 2 Pieces of M18  |  |
| 环境温度 Ambient temperature                              | -20°C~+70°C  |  |
| 润滑 Lubrication  | 铝基润滑脂(EP型) Aluminum base grease(EP type)   |  |
| 材料 Material   | 钢, 铝合金, 铝青铜, 聚碳酸酯 Steel, aluminum alloy, aluminum bronze, polycarbonate                          |  |
| 环境湿度 Ambient humidity                                 | 最大90% RH Max 90% RH  | 非凝结 Non condensation   |
| 抗震性能 Anti-vibration performance                       | XYZ10g, 0.2~34Hz, 30分钟 XYZ10g, 0.2~34Hz, 30 Minutes  |  |
| 外涂层 External coating                                  | 干粉, 环氧聚酯 Dry powder, epoxy polyester   |  |

## 可选规格 Optional Specifications

| 编号No | 可选配置 Optional configuration  | 备注 Remarks             |
|------|--|------------------------|
| 1    | 电位计(1K-10K) Potentiometer(1K-10K)  | 除JMO-03外 Except JMO-03 |
| 2    | 比例控制单元(输入, 输出信号)4-20mA DC/1-5V/1-10V<br>Proportional control unit(Input, output signal)4-20mA DC/1-5V/1-10V)             | 除JMO-03外 Except JMO-03 |
| 3    | 现场控制单元(就地控制 开/停/关选择开关, 就地/远程切换)<br>Field control unit(local control open/stop/close switch, local/remote control switch) | 除JMO-03外 Except JMO-03 |
| 4    | 行程 Stroke 120°, 180°, 270°   | JMO系列 JMO Series       |
| 5    | 电流位置传感器(输出4-20mA DC) Current position sensor(Output 4-20mA DC)   | 除JMO-03外 Except JMO-03 |
| 6    | 断电复位 Self-reset when power failure   | JMO系列 JMO Series       |
| 7    | 快开(2.8S, 5S, 10S, 15S) Quick opening(2.8S, 5S, 10S, 15S)   | JMO系列 JMO Series       |

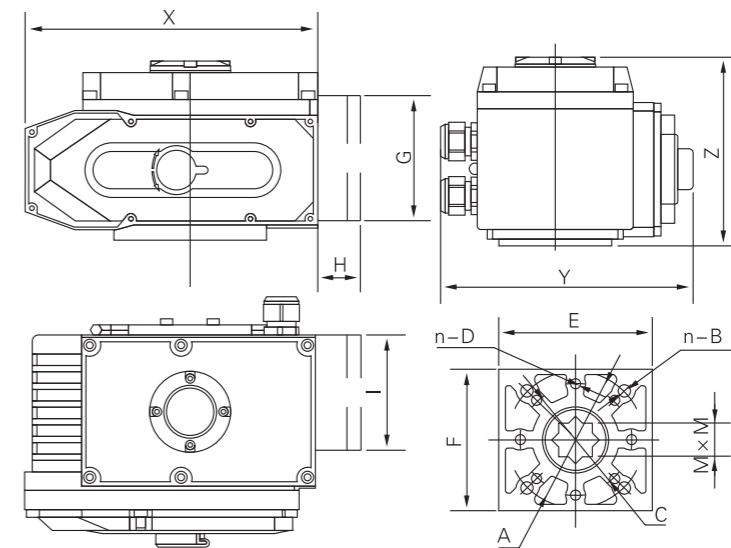
# JIMAI AUTO-TECH



## 技术参数及规格 Technical Data and Specifications

| 型号<br>Model | 最大输出扭矩<br>Max output torque(N-M) | 动作时间90°<br>Operating time90° (S) | 输出轴<br>Drive shaft(mm) |              |                  |            | 电动机<br>Motor (W) | 单相额定电流<br>Rated current(A)<br>220VAC/1ph | 重量<br>Weight (kg) |
|-------------|----------------------------------|----------------------------------|------------------------|--------------|------------------|------------|------------------|--|-------------------|
|             |                                  |                                  | 方轴<br>Square           | 轴深<br>Deep   | 圆轴<br>Round      | 轴深<br>Deep |                  |  |                   |
| JMO-003     | 30                               | 10                               | 9×9<br>11×11           | 13.5<br>15.5 | Φ12.6            | 26         | 6                | 0.25                                     | 2.1               |
| JMO-005     | 50                               | 30                               | 11×11<br>14×14         | 15.5<br>18   | Φ12.6            | 26         | 10               | 0.25                                     | 3.5               |
| JMO-008     | 80                               | 30                               | 11×11<br>14×14         | 15.5<br>18   | Φ15.78           | 26         | 15               | 0.25                                     | 3.5               |
| JMO-010     | 100                              | 30                               | 14×14<br>17×17         | 18<br>22.5   | Φ15.78<br>Φ18.95 | 28         | 25               | 0.35                                     | 5                 |
| JMO-015     | 150                              | 30                               | 14×14<br>17×17         | 18<br>22.5   | Φ18.95           | 28         | 30               | 0.35                                     | 5                 |
| JMO-020     | 200                              | 30                               | 22×22                  | 26           | Φ22.13           | 45         | 40               | 0.48                                     | 12                |
| JMO-040     | 400                              | 30                               | 22×22                  | 26           | Φ28.48           | 45         | 60               | 0.92                                     | 12                |
| JMO-060     | 600                              | 30                               | 22×22                  | 32.5         | Φ31.65           | 45         | 90               | 0.92                                     | 14                |
| JMO-080     | 800                              | 40                               | 27×27                  | 32.5         | Φ31.65           | 45         | 130              | 1  | 14.3              |
| JMO-100     | 1000                             | 40                               | 27×27                  | 32.5         | Φ31.65           | 45         | 130              | 1  | 14.5              |

## 外观尺寸 General Drawing



| 型号<br>Model | X   | Y   | Z   | A    | N-B   | C    | N-D   | E   | F   | G   | H  | I   | M×M            |
|-------------|-----|-----|-----|------|-------|------|-------|-----|-----|-----|----|-----|----------------|
| JMO-003     | 123 | 100 | 115 | Φ50  | 4-M8  | Φ36  | 4-M6  | 50  | 50  | 114 | 40 | 150 | 9x9<br>11x11   |
| JMO-005     | 161 | 121 | 125 | Φ70  | 4-M8  | Φ50  | 4-M6  | 66  | 66  | 114 | 40 | 150 | 11x11<br>14x14 |
| JMO-008     | 188 | 145 | 127 | Φ70  | 4-M8  | Φ50  | 4-M6  | 100 | 90  | 114 | 40 | 150 | 11x11<br>14x14 |
| JMO-010     | 188 | 145 | 127 | Φ70  | 4-M8  | Φ50  | 4-M6  | 100 | 90  | 114 | 40 | 150 | 14x14<br>17x17 |
| JMO-015     | 188 | 145 | 127 | Φ70  | 4-M8  | Φ50  | 4-M6  | 100 | 90  | 114 | 40 | 150 | 14x14<br>17x17 |
| JMO-020     | 268 | 255 | 164 | Φ125 | 4-M12 | Φ102 | 4-M10 | 140 | 130 | 114 | 40 | 150 | 22x22          |
| JMO-040     | 268 | 255 | 164 | Φ125 | 4-M12 | Φ102 | 4-M10 | 140 | 130 | 114 | 40 | 150 | 22x22          |
| JMO-060     | 268 | 255 | 164 | Φ125 | 4-M12 | Φ102 | 4-M10 | 140 | 130 | 114 | 40 | 150 | 22x22          |
| JMO-080     | 268 | 255 | 164 | Φ125 | 4-M12 | Φ102 | 4-M10 | 140 | 130 | 114 | 40 | 150 | 27x27          |
| JMO-100     | 268 | 255 | 164 | Φ125 | 4-M12 | Φ102 | 4-M10 | 140 | 130 | 114 | 40 | 150 | 27x27          |