

— CRESCENT

Lash Beds



1 —
2

This product is tailor-made for beauticians, taking into consideration the physical discomfort that comes with long hours of work. It features adjustable headrests and leg supports to ensure comfort during operation. Designed meticulously by our experts, the dimensions and proportions of the makeup bed are perfectly balanced to effectively reduce spinal pressure and enhance the user experience. Additionally, it comes equipped with two pillows, providing ultimate relaxation for clients, allowing them to fully enjoy their treatment.

Technical Information

Product model
MJC1127

Dimensions
L180*W75*H72 (cm)

Loading Capacity
200kg

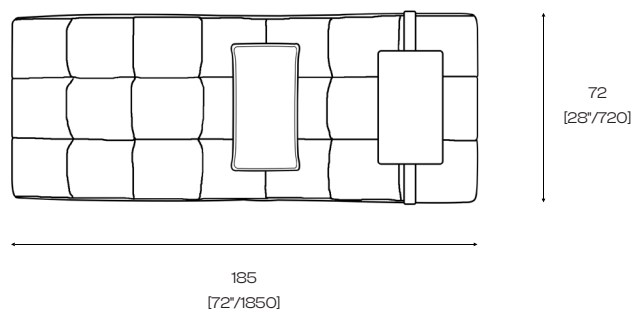
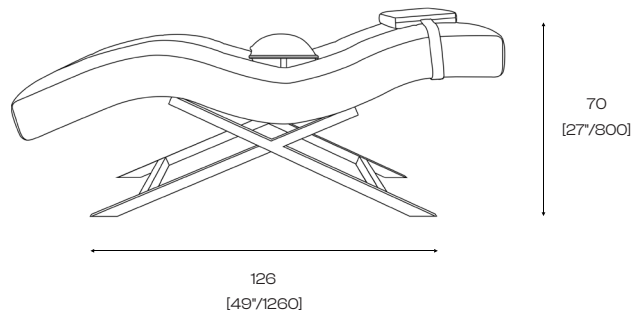
Net weight
30kg

Package dimensions
L182*W76*H71cm

Material

- Finish materials can be customized to choose from leather and fabric options.
- Wooden internal structure.
- Rapid-recovery high-density foam.
- Stainless steel electroplated metal legs, providing stable support.

Dimensions



2