

— EASYTIME

Facial Beds & Massage Tables



1 —
2

Utilizing a silent motor for effortless bed surface elevation ensures smooth and quiet operation. The sturdy steel frame guarantees stability and reliability, while also featuring manual adjustments for the backrest and leg sections, allowing for easy customization of the bed's angles and positions. Equipped with flexible swivel casters, the bed can be easily moved at any time, providing unparalleled convenience and value for beauty care.

Technical Information

Product model
MRC0112

Dimensions
L190*W70*H63-93 (cm)

Loading Capacity
200kg

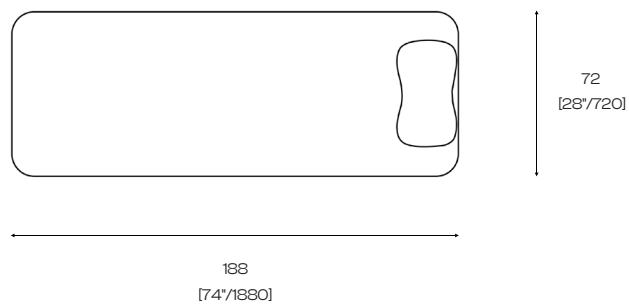
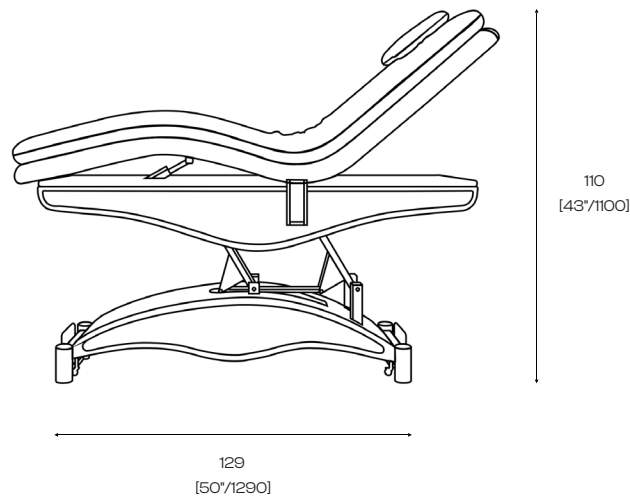
Net weight
78kg

Package dimensions
L199*W79*H69cm

Material

- Finish: Customizable leather and fabric.
- Bed frame: Steel and solid multi-layer wood construction, high load capacity.
- Base: Electric lift mechanism, externally covered with electroplated stainless steel.
- Bed filling: Rapid-recovery high-density foam.

Dimensions



2
2