

Email: marketing@unionwellswitch.com
Phone:86-13824215967

SWD Series

ATEX Explosion Proof Refrigerator Door Switch



Features

- ◆ Fully sealed, certified by ATEX explosion-proof
- ◆ Two load options: mass current load for light control or tiny current load for signal control.
- ◆ Universal quick-install fixation
- ◆ Various shapes of operation buttons
- ◆ Widely used in heat pumps, air conditioners, dehumidifiers, refrigerators and other refrigeration appliances and equipment;

Application

- ◆ Home appliances
- ◆ Electronic equipment

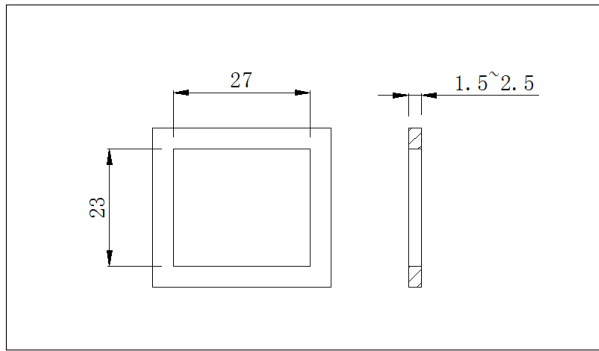
Parameters

Operating Speed		7.5~500mm/s
Operating Frequency	Mechanical	60 cycles/min
	Electrical	20 cycles/min
Insulation Resistance		≥100MΩ (at 500VDC)
Contact Resistance (Initial Value)	Terminals Type	≤100mΩ
	Between Terminals	AC1,000V, 50/60Hz, 1min.
Voltage Resistance	Between Terminals and Uncharged Metal Parts	AC1,500V, 50/60Hz, 1min.
	NO Transformation Action	10-55Hz (Double amplitude 1.5mm)
Service Life	Electrical	2.5A 125/250VAC 25T85 μ 5E4 6A 125/250VAC 25T85 μ 1E4 0.1A 125/250VAC 0.1A 30VDC 25T85 μ 5E4
	Mechanical	300,000 cycles (60Min)
Protection Level		IEC IP67/IEC IP40
ATEX Proof and Certificate Number		TPS 20 ATEX 107202 0001U II3 G EX nCII C Gc
PTI (Leakage Characteristics)		450V
Operating Temperature		-25~+85°C
Operating Humidity		85%RH Max

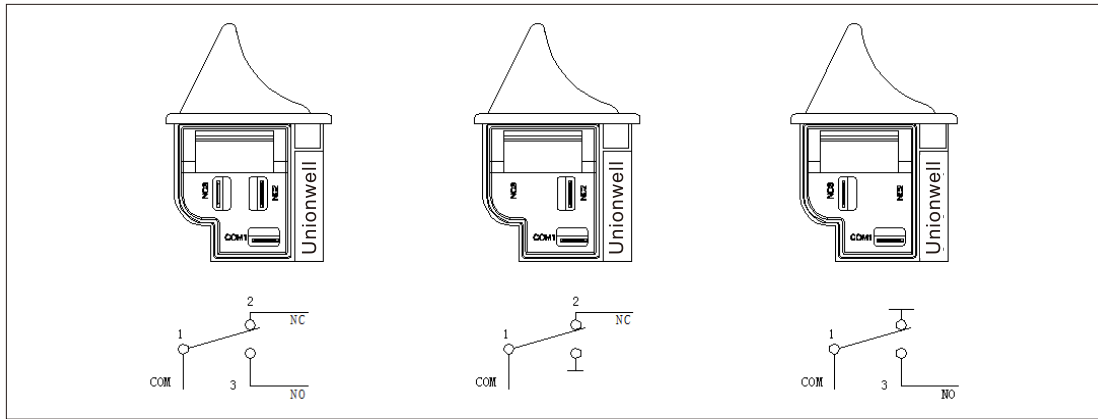
SWD Door Switch Ordering Instruction

SWD	U	LOGO	Unionwell	Other
	T001	Custom Code	General	Customized according to requirements, the code format is T+serial number XXX, for example:T001
	01	Button type	01	02 03 Other
	A	Operating Force	A 400gf Max	Other
	B	Terminal Type	187# Quick Connect	Other
	A	Circuit Code	A 1P2T	B 1P1T-NC C 1P1T-NO
	A	Dust and Water Proof	A IP67	B IP40
	06	Electrical Rating	0.1A 125/250VAC 25T85 μ 5E4 0.1A 30VDC 25T85 μ 5E4	2.5A 125/250VAC 25T85 μ 5E4 6A 125/250VAC 25T85 μ 5E4
		Switch Type		

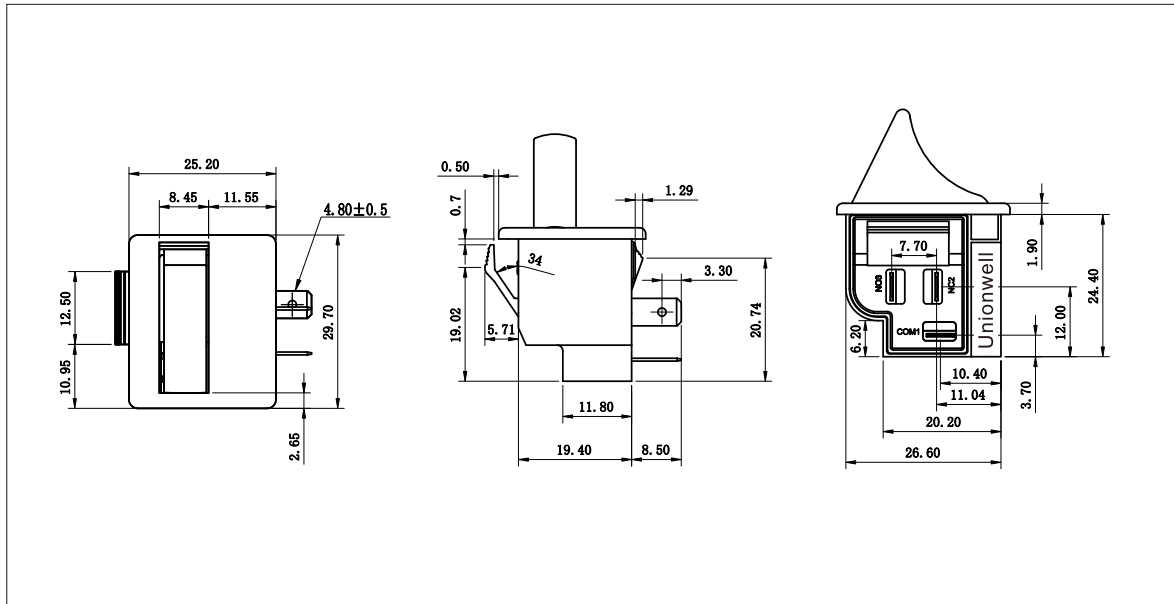
■ Mounting Hole Dimensions(Unit:mm)



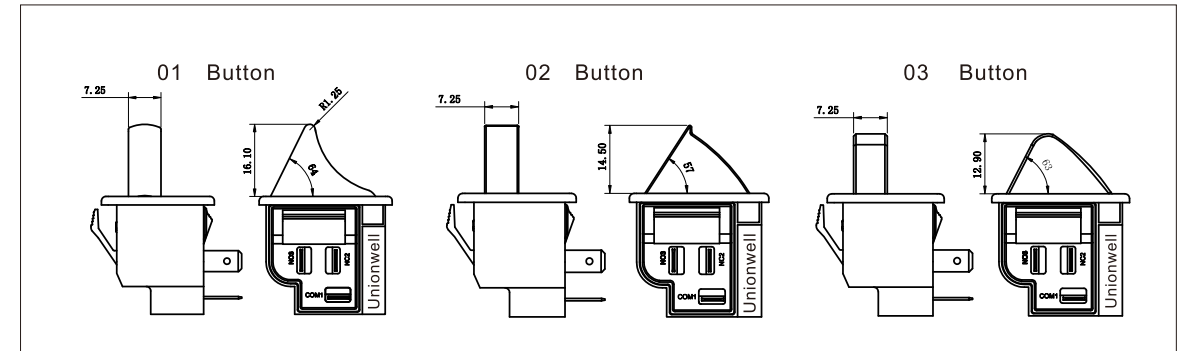
■ Circuit Configuration



■ Dimension

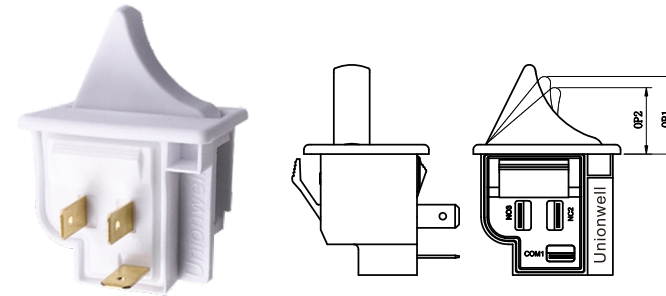


■ Button Type



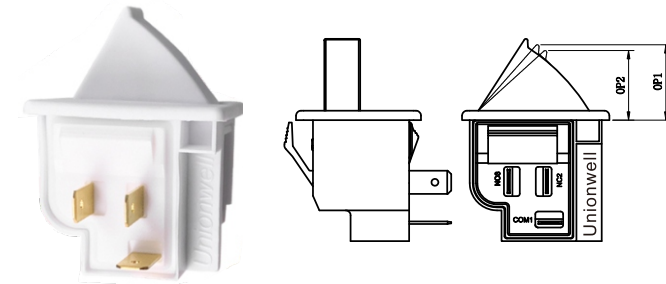
■ Operating Characteristics

◆ SWD-□ □ □BA01U



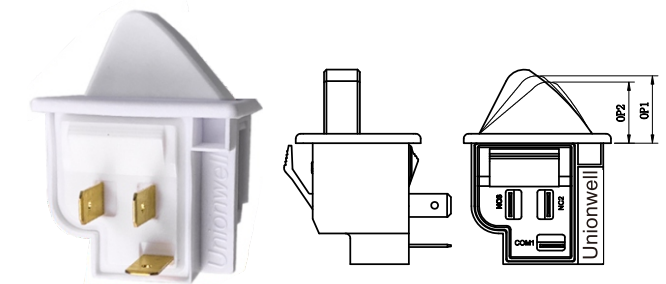
Parameters			
OF Max. (gf)	OP1 NC-OFF (mm)	OP2 NO-ON (mm)	TTP Min. (mm)
400	16±2	14.3±2.5	4

◆ SWD-□ □ □BA02U



Parameters			
OF Max. (gf)	OP1 NC-OFF (mm)	OP2 NO-ON (mm)	TTP Min. (mm)
400	14.2±2	11.2±2.5	2

◆ SWD-□ □ □BA03U



Parameters			
OF Max. (gf)	OP1 NC-OFF (mm)	OP2 NO-ON (mm)	TTP Min. (mm)
400	12.9±2	10.5±2.5	3.5