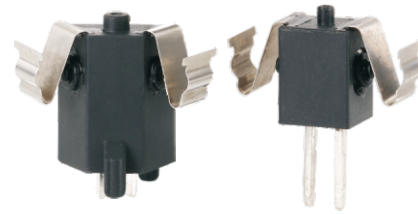


G1 Series & G17 Series

Linked Sealead Tact Switch



■ Features

- ◆ Water and dust proof design (IP67)
- ◆ Long Life and high reliability
- ◆ 0.8*0.8 PCB terminals
- ◆ Safe operation design double circuits only closed when both levers actuated
- ◆ Variety of levers and control methods
- ◆ Mini size, could be used for tight space

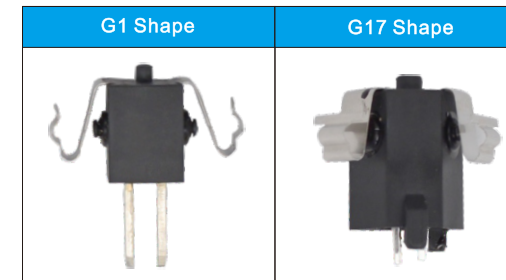
■ Application

- ◆ Auto
- ◆ Industrial control

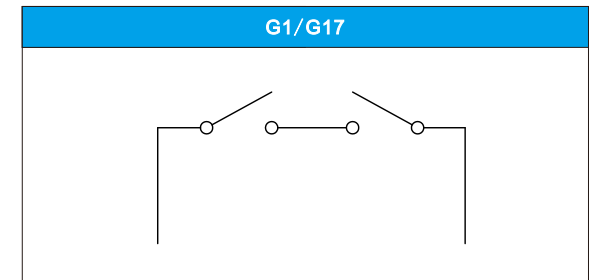
■ Parameters

Rating		12VDC 20 μ A~20mA
Operating Frequency	Electrical	20 cycles/min
	Mechanical	G1 Series: 120 cycles/min G17 Series: 80 cycles/min
Contact Resistance (Initial Value)		> 200m Ω
Insulation Resistance (at 500VDC)		> 10M Ω
Vibration Durability		10~500Hz, Amplitude 1.5mm
Voltage Resistance	Between terminals	500VAC (50~60Hz)
	Between terminals and housing	1,500VAC (50~60Hz)
Service Life	Electrical	100,000 cycles
	Mechanical	100,000 cycles
Operating Temperature		-40°C~+85°C
Operating Humidity		85% RH Max.
Unit Weight		G1: 0.85g
		G17: 1.1g

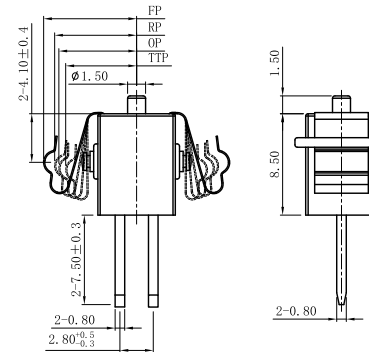
■ Shape



■ Circuit Configuration



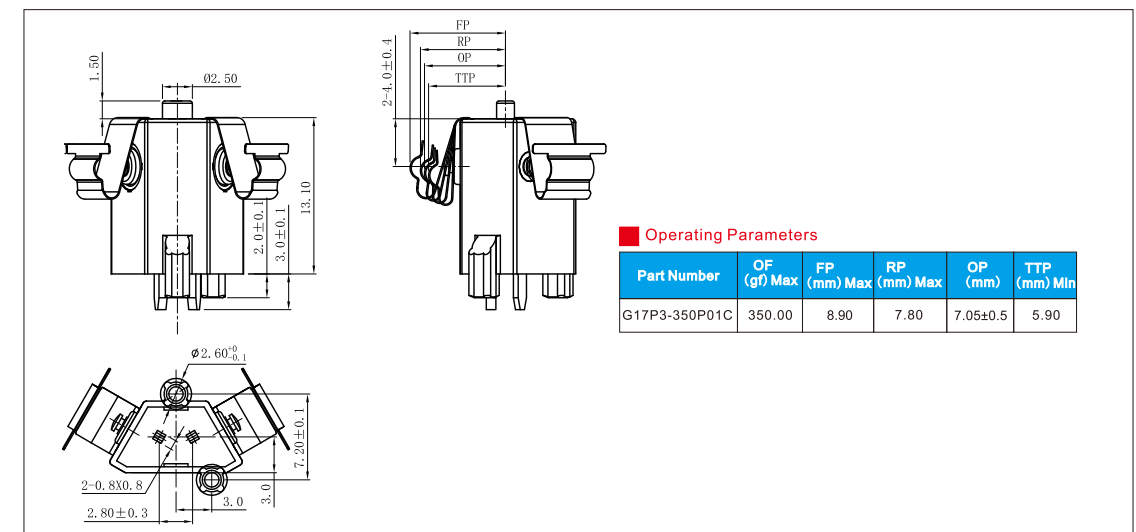
■ G1 Overall Dimensions



■ Parameters

Part Number	OF (gf)Max	FP (mm)Max	RP (mm)Max	OP (mm)	TTP (mm)Min
G1P3-250P01C	350.00	7.95	7.30	6.5±0.5	5.30

■ G17 Overall Dimensions



■ Operating Parameters

Part Number	OF (gf) Max	FP (mm) Max	RP (mm) Max	OP (mm)	TTP (mm) Min
G17P3-350P01C	350.00	8.90	7.80	7.05±0.5	5.90