

G23A Series

Motor Electronic Lock for Charging



Features

- ◆ High-density sealed motor electronic lock, meeting IP67 requirements
- ◆ Reliable locking, manual and automatic unlocking are available
- ◆ Accurate locking or unlocking positioning and clear gear
- ◆ The motor electronic lock is sensitive to forward and reverse conversion, with long service life, stable and reliable

Application

- ◆ Charging gun

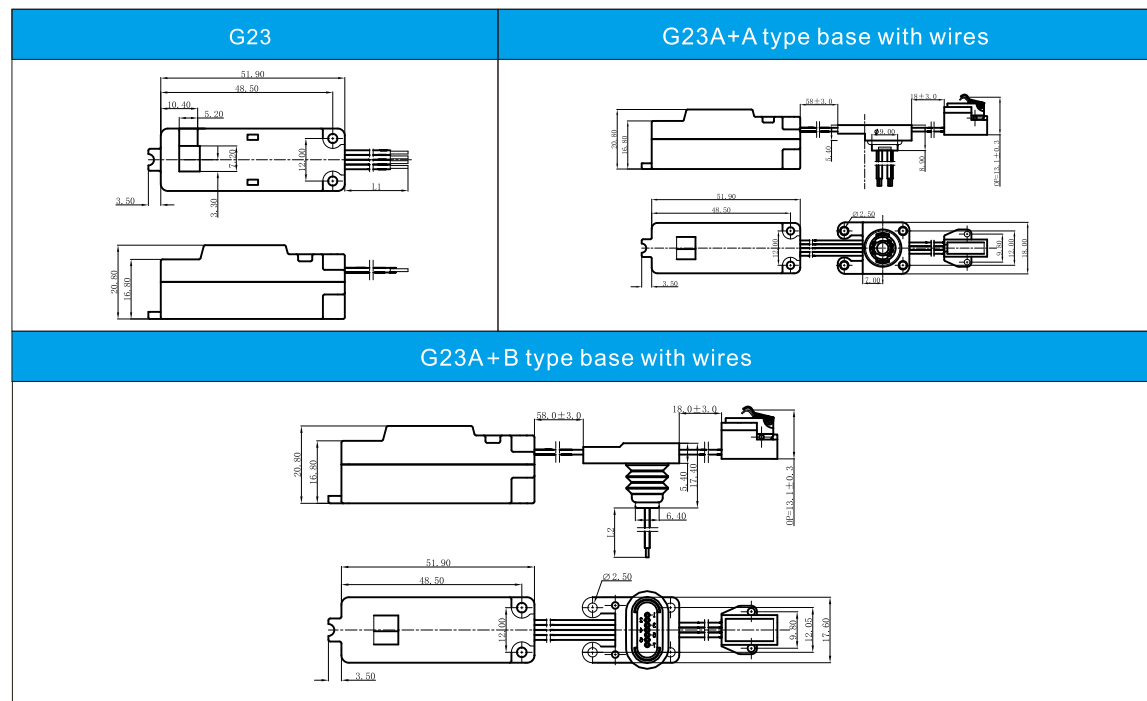
Parameters

Rating	12VDC	
Insulation Resistance	100MΩ Min.	
Dielectric Strength	500VAC (50~60Hz)	
Degree of Protection	IEC IP67 (Drive roller and housing excluded)	
Work Temperature	-40°C~+85°C	
Work Humidity	45% RH~85% RH	
Service Life	Electrical	60,000 cycles
	Mechanical	60,000 cycles (Min.)
Operating Frequency	Electrical	20 cycles/min
	Mechanical	20 cycles/min
Operating Features (At 12VDC)	(OF)	700g.cm (Min.)
	(HF)	250g.cm (Min.)
	(PT)	45° ±5°
	Shaft Strength	200N (No mechanical damage under vertical axial force)
	(OF)	250g.cm (Min.)

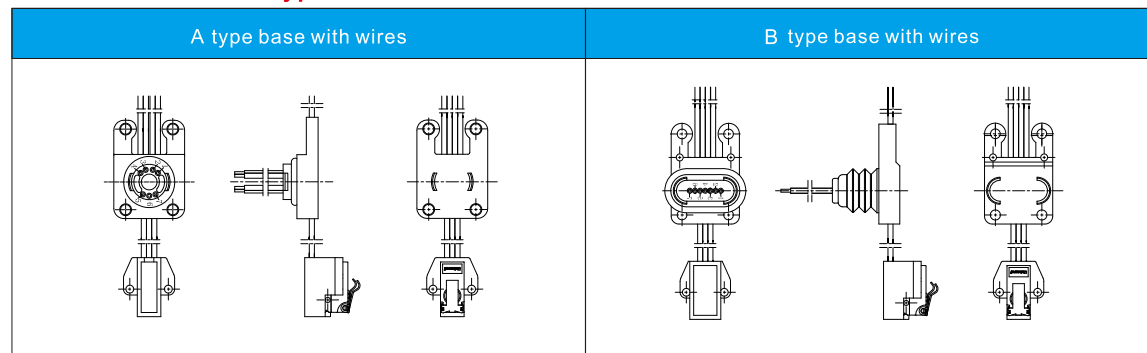
G23A Series Motor Electronic Lock Ordering Model Guide

G23A	G23A Electronic Lock Series	G23A Series	
250	Torque	250g.cm (Min.)	Other
A	Wire Spec	A 26# AWG	B 24# AWG
B	Feedback Switch Function	A (NC)	B (NO)
01	Manual Unlocking Type	A None	B "+" type base unlock
A	Wire Type	A AVSS	B UL1007
300	Wire Length	00 None	300 300mm Wire Length Motor Positive Red Wire Negative Black Wire COM Terminal White Wire NC Orange Wire
A	Conductor Holder Type	N None	A A type base with wires
A	Resistance combination	N None	A Switch Built-in Resistor Resistance Combination R1=1KΩ; R2=1KΩ
T001	Custom Code	General	Customized according to requirements, the code format is T+serial number XXX, for example: T001
			Other

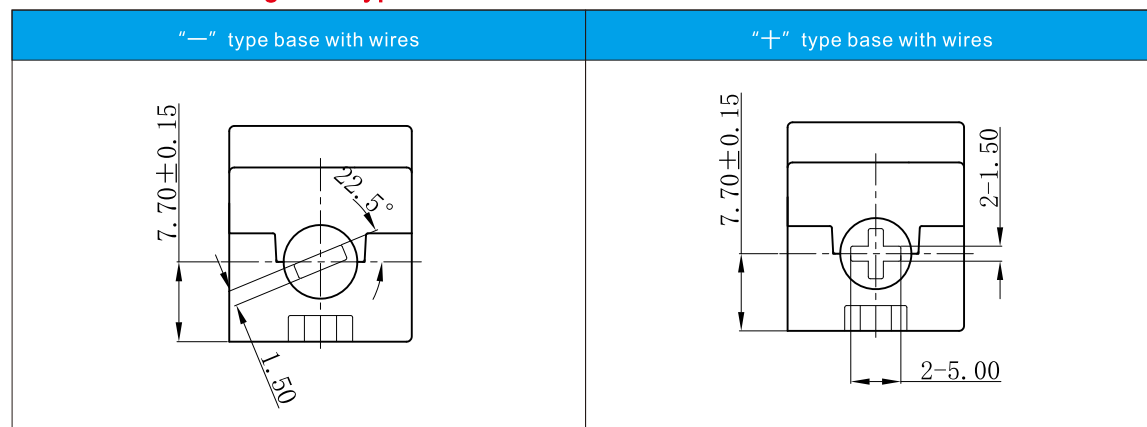
Basic Overall Dimensions and Installation Dimensions



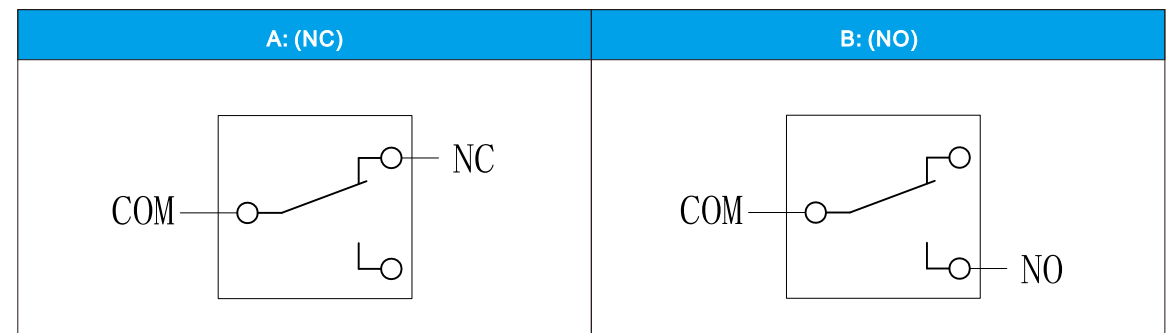
Base With Wires Type



Manual Unlocking Port Type



Feedback Switch Function



Dimensions and Operating Characteristics

