

G23B Series

Motor Electronic Lock for Charging



■ Features

- ◆ High-density sealed motor electronic lock, meeting IP54 requirements
- ◆ Reliable locking, manual and automatic unlocking are available
- ◆ Accurate locking or unlocking positioning and clear gear
- ◆ The motor electronic lock is sensitive to forward and reverse conversion, with long service life, stable and reliable

■ Application

- ◆ Charging Gun

■ Parameters

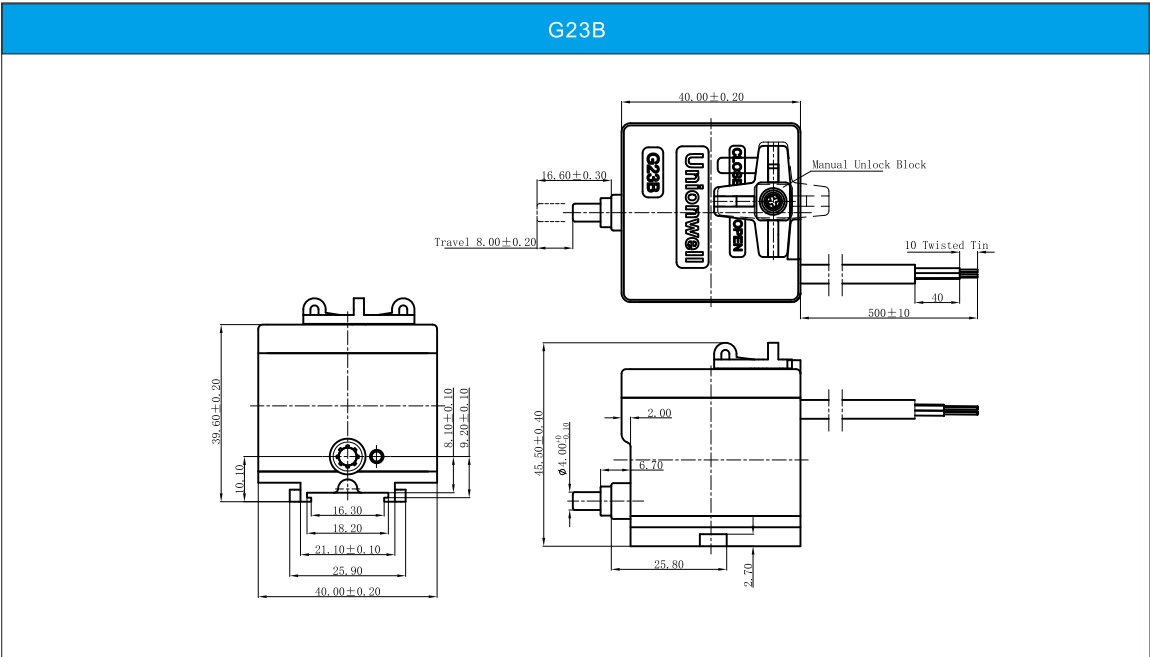
Rated Voltage	12VDC (pulse)	
Voltage Range	12±10% VDC.	
Motor No Load Current	≤50mA	
Motor Lock Current	≤500mA	
Response Time	≤100mS	
Maximum Power on Time	3S (No long time conduction)	
Locking Time	≤300mS	
Unlocking Time	≤300mS	
Triggering Time at 12VDC	0.25S<t<1S	
Functional Angle	≤90°	
Insulation Resistance	100 MΩ Min	
Dielectric Strength	500VAC (50~60Hz)	
Degree of Protection	IECIP54 Except driving wheel and push rod active cavity	
Operating Temperature	-40°C~+85°C	
Operating Humidity	45%RH~85%RH	
Service Life	Electrical	30,000 cycles
	Mechanical	30,000 cycles (Min.)
Operating Frequency	Electrical	18 cycles/min
	Mechanical	18 cycles/min
Operating Features (At 12VDC)	HF	300g (Min.)
	Fracture Force	200N
	PT	8.0mm±0.20mm
	OF	300g.cm (Min.)

G23B Series Motor Electronic Lock Ordering Model Guide

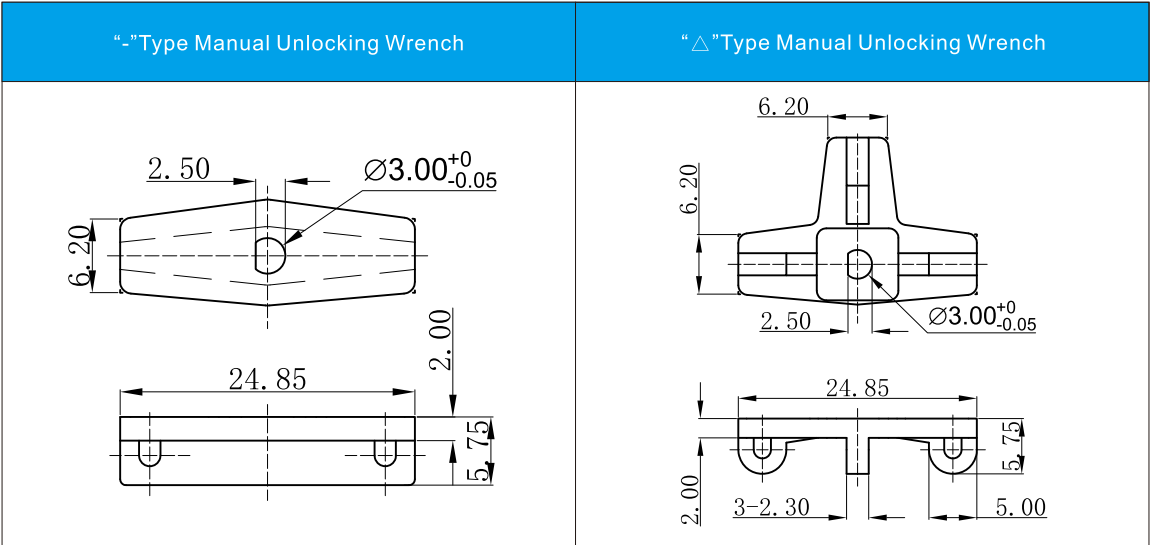
U	LOGO	Unionwell	Other
T001	Custom Code	General	Customized according to requirements, the code format is T+ serial number XXX, for example: T001
			Other
300	Wire Length	000 None	300mm Wire Length Motor Positive Red Wire Negative Black Feedback switch COM terminal with blue wire and NC terminal with green wire (NO terminal with orange wire)
		300	500mm Wire Length Motor Positive Red Wire Negative Black Feedback switch COM terminal with blue wire and NC terminal with green wire (NO terminal with orange wire)
A	Wire Type	A UL2464	Other
		B UL2463	Other
1	Manual Unlocking Knob Type	00 None	Triangle knob
		01	"-" Type manual unlocking wrench
B	Feedback Switch Function	A NC	Other
		B NO	(DT)
A	Terminal Spec.	A 26# AWG	Other
		B 24# AWG	Other
500	Torque	500g.cm (Min.)	Other
		500	Other
G23B	Electronic Lock Series	G23B Series Motor Electronic Lock	

Unionwell

Basic Overall Dimensions and Installation Dimensions

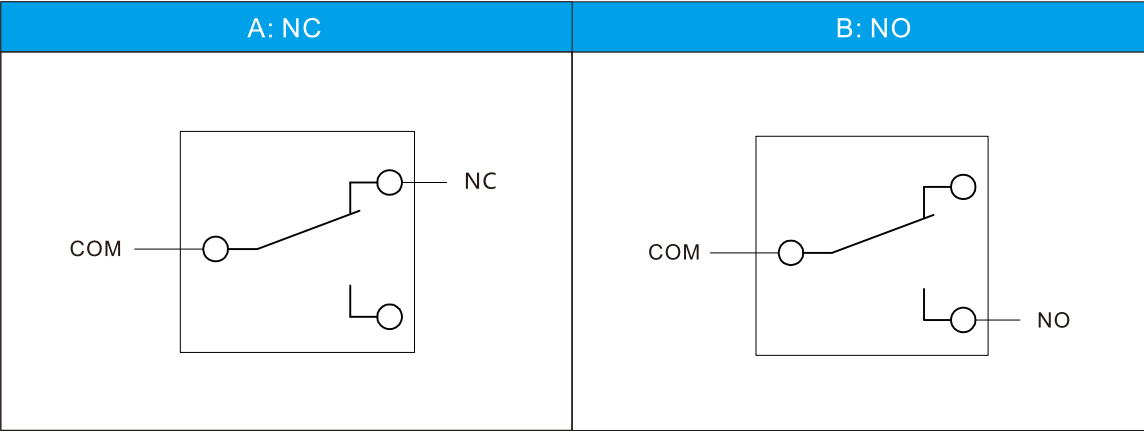


Manual Unlocking Wrench Type



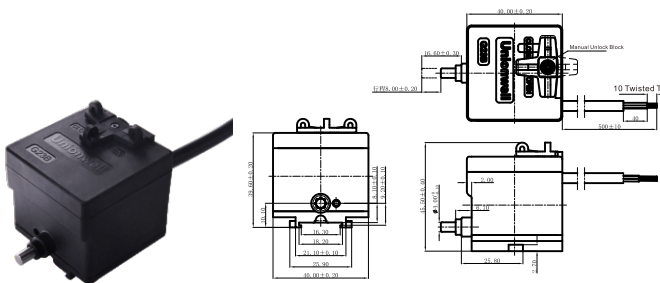
Unionwell

Feedback Switch Function / Mechanical Switch



Dimensions and Operating Characteristics

◆ G23B-500BA01A300U



HF	PT	Rotary Shaft Strength	OF
30N.cm (Min)	8.0±0.2 (mm)	200N Vertical Axial Force Without Mechanical Damage	50N.cm (Min)