

# Unionwell

Email: marketing@unionwellswitch.com Phone: 86-13824215967

## G10B-A001 Series

G10B-A001-M4 Mounting Hole Waterproof Subminiature Micro Switch



### ■ Features

- ◆ Designed for water and dust tight (IP67)
- ◆ Snap action contact structure
- ◆ Single-point mounting with M4 screw
- ◆ Widely used in automotive electronics, appliance and industrial control

### ■ Application

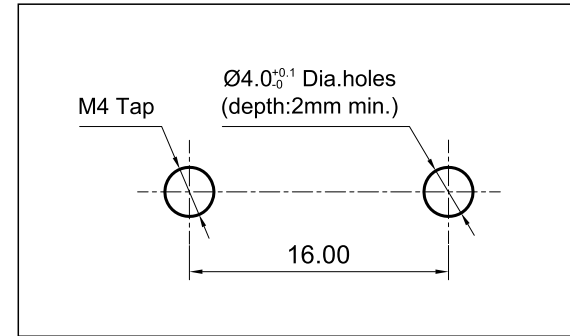
- ◆ Car
- ◆ Charging Station
- ◆ Charging Gun
- ◆ Air-Conditioner
- ◆ Communication

### ■ Parameters

Rating		1A/30VDC
Operating Frequency	Electrical	10~30 cycles/min
	Mechanical	120 cycles/min
Contact Resistance (Initial Value)		100mΩ Max.
Insulation Resistance (at 500 VDC)		100MΩ Min.
Dielectric Strength		500VAC 50~60Hz for 1 Min
Operating Temperature		-40°C~ +85°C
Operating Humidity		85% RH Max
Service Life	Electrical	10,000 cycles
	Mechanical	300,000 cycles

G10B	Switch Type	G10B-A001 Series MicroSwitch		
A	Lever Type	A 08# Lever	C 11# Lever	
U	LOGO	U Unionwell	Other	
0	Wires Type	0 UL1007-18AWG	1 UL1007-22AWG	2 AVSS 0.5mm <sup>2</sup>
				3 UL1007-20AWG
				Other
1	Circuitry	1 SPDT	2 SPST-NC	3 SPST-NO
150	Wire Length	150 150mm	Other	
				...
T001	Custom Code	General	Customized according to requirements, the code form is T+serial number XXX, for example:T001	
			T001	Other

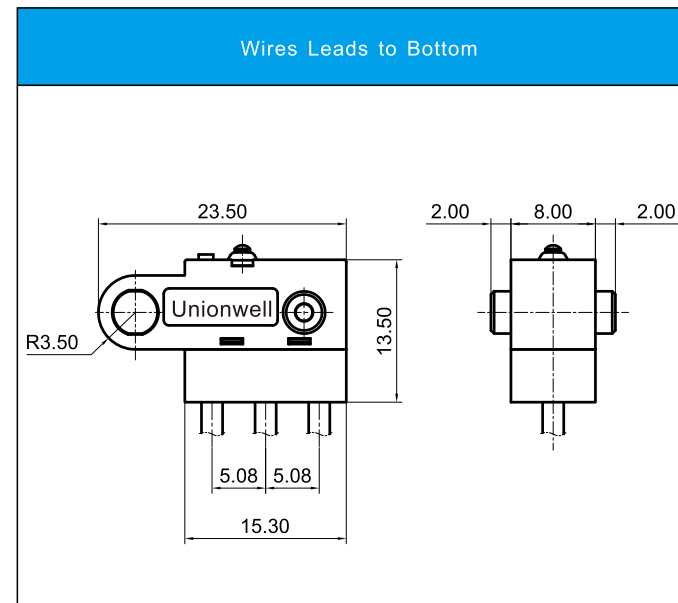
■ Mounting Hole Dimensions



■ Circuit Configuration

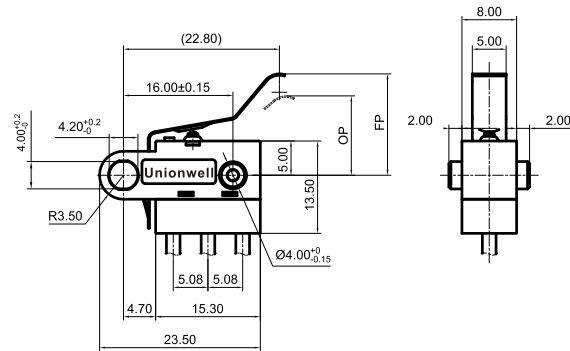
SPDT	SPST-NC	SPST-NO

■ Lead Wire Style



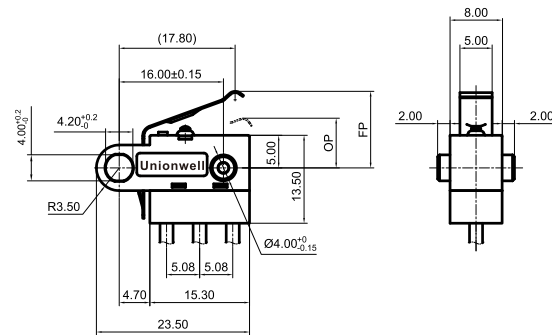
## Overall Dimensions and Operating Characteristics

### ◆ G10B-A□□1U



OF Max. (gf)	RF Min. (gf)	PT Max. (mm)	OT Min. (mm)	DT Max. (mm)	FP Max. (mm)	OP (mm)
250	30	6.00	1.00	1.20	16.50	11.50±2.00

### ◆ G10B-C□□1U



OF Max. (gf)	RF Min. (gf)	PT Max. (mm)	OT Min. (mm)	DT Max. (mm)	FP Max. (mm)	OP (mm)
300	60	6.00	0.30	1.00	12.50	6.80±1.00