

G304E Series

Sealed Clip Type Subminiature Micro Switch



■ Features

- ◆ Designed for water and dust tight (IP67)
- ◆ Small compact size
- ◆ Long life and high reliability
- ◆ Wide range of wiring terminals
- ◆ Widely used in automotive electronics, appliances and industrial control etc.
- ◆ Customized designs
- ◆ Slide structure
- ◆ Non short circuit conversion

■ Application

- ◆ Car
- ◆ Air-conditioner
- ◆ Communication
- ◆ Electric toothbrush
- ◆ Toys

■ Parameters:

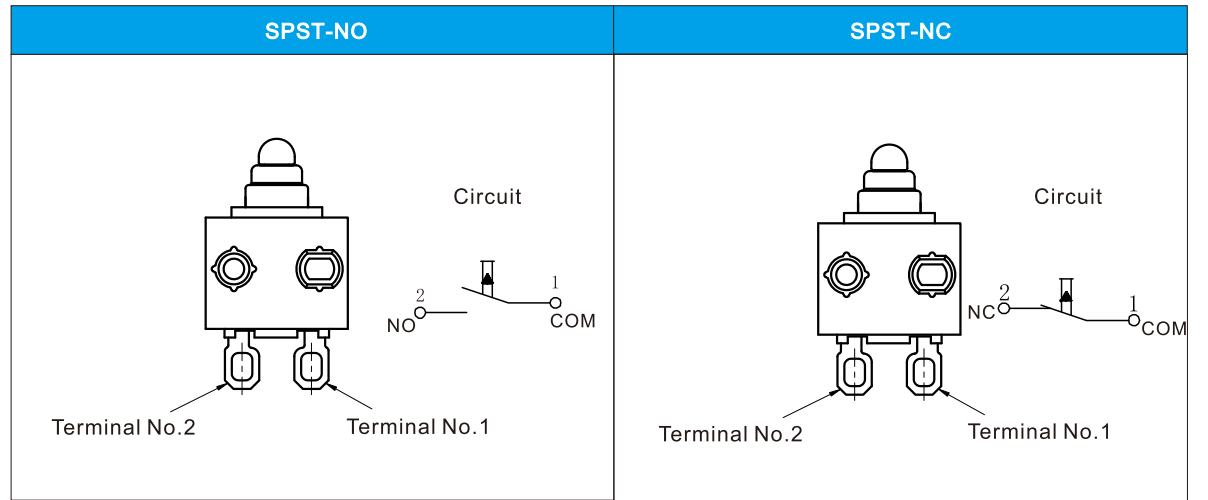
Operation Speed	1~500mm/s	
Operation Frequency	120 cycles/min.	
Insulation Resistance	≥100MΩ	
Contact Resistance (Initial Value)	With terminals type	≤100mΩ
	With wire type	≤500mΩ (Standard wire length 300mm)
Voltage Resistance	Between terminals	AC500V, 50/60Hz, 1min.
	Between each terminal and the non-electrical metal parts	AC1,000V, 50/60Hz, 1min.
Operating Life	Electrical	300,000 cycles (15 cycles/min.) DC12V 01A 5VDC 50μA
	Mechanical	300,000 cycles (30 cycles/min.)
Operating Temperature	-40~+85°C 60%RH(No icing, no condensation)	
Operating Humidity	95%RH (+5~+35°C)	
Vibration	Malfunction	10-55Hz (Double amplitude 1.5mm)

G304E Series Micro Switch Ordering Instruction

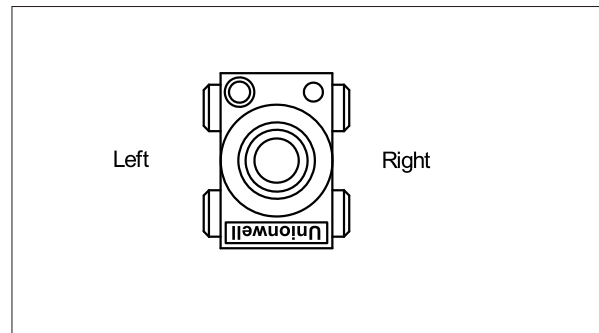
G3	Switch Type	G3 Series Micro Switch								
		04E	Electrical Rating	0.1A 12VDC 50μA 3VDC	Other					
150	Max Operating Force at Pin Plunger	80	80gf Max.	150	150gf Max.	Other				
U	Terminal Type	U	6# Straight PCB Terminals	V	Solder Terminals 6# 7#	M	Short Solder Terminals 6# 7#	P	Straight PCB Terminals	Other
		U	Left-Angled PCB Terminals with Two Pins	V	Solder Terminals with Two Pins	M	Short Solder Terminals	P	Straight PCB Terminals	Other
00	Lever Type	00	No Lever Pin Plunger	...	Other					
E	Circuit Code	E	Slide Type, SPST-NO 1, 2	F	Slide Type, SPST-NC 1, 2	...	Other			
39	Shape and Posts	39	G type No Post	40	G Type Left Posts	41	G Type Right Posts	...	Other	

U	LOGO	Unionwell	Other										
		U	...										
T001	Custom Code	General	Customized according to requirements, the code format is T+ serial number XXX for example: T001										
		T001	...										
B	Type of Wires Outline	Molded Lead Wires on Left Side	Molded Lead Wires on Left Side	Molded Lead Wires on Bottom	Other								
		B	C	E	F								
		Wires Length											
		300mm Length Standard Lead	280mm Length	Other									
300	280	F											
A	AWG Number (For Wire Type Only)	No Molded Lead Wires	UL1007	UL1430	UL1061	UL1330	AVSS	UL1332	UL3132	Other			
		A	C	D	E	F	H	G					
		G	AWG Type (For Wire Type Only)	No Molded Lead Wires	22#	24#	26#	28#	Other				
				F	G	H	I	...					
				Posts Dimension									
				G Type Standard Posts: 2.60mmx5.0mm	Φ2.6X1.5mm Posts.	Φ2.6X2.0mm Posts.	Φ2.2X0.8mm Posts.	Other					
				G	H	I	...						

■ Circuit



■ Post Direction



■ Basic Mounting Dimensions and Operating Characteristics

