

G309 Series

Sealed Clip Type Subminiature Micro Switch



■ Features

- ◆ IP67 Waterproof and dustproof design
- ◆ Small compact size
- ◆ Long life and high reliability
- ◆ Variety of levers
- ◆ Wide range of wiring terminals
- ◆ Widely used in automotive electronics, appliance and industrial control, etc.
- ◆ Multiple shape and size options for different fixation requirements.
- ◆ Contact structure

■ Application

- ◆ Car
- ◆ Air-conditioner
- ◆ Communication
- ◆ Electric Toothbrush
- ◆ Toys

■ Parameters

Operating		1~500mm/s
Operating Frequency		120 cycles/min
Insulation Resistance		≥ 100MΩ (at 500VDC)
Contact Resistance (Initial Value)	With Terminals Type	≤ 100mΩ
	With Wire Type	≤ 500mΩ (Standard wire length 300mm)
Voltage Resistance	Between Terminals	AC500V, 50/60Hz, 1min.
	Between Terminals and Uncharged Metal Parts	AC1,000V, 50/60Hz, 1min.
Vibration Resistance	No Transformation Action	10-55Hz Double amplitude 1.5mm
Service Life	Electrical	300,000 cycles (20 cycles/min) DC12V 0.1A DC3V 50μA
	Mechanical	300,000 cycles (30 cycles/min)
Protection Level		IEC IP67 (Exclude terminals)
Operating Temperature		-40~+85°C 60%RH (No ice, no frost)
Operating Humidity		95%RH (+5~+35°C)

U	LOGO	Unionwell	Other
T001	Custom code	General	Customized according to requirements the code format is T+ serial number XXX for example: T001
B	Wire Type	Molded Lead Wires on Left Side B	Molded Lead Wires on Right Side C
280	Wires Length	300mm Length Standard Lead Wires 300	280mm Length 280
A	AWG Number (For Type Wire Only)	No Molded Lead Wires	UL1007 A
G	AWG Type (For Type Wire Only)	No Molded Lead Wires	22# F
	Posts Dimension	F Type Standard Posts: 260mmx5.0mm	G ϕ 2.6x1.5mm post G
39	Shape and Posts	G Type NO Posts 39	G Type Left Posts 40
E	Circuitry	Slide Type SPST-NO E	Slide Type SPST-NC F
00	Lever Type	No Lever Pin Plunger 00	Other ...
	Terminal Style	Short Solder Terminals G-Type M	Solder Terminals With to Pins G-Type V
150	Operating Force at pin PlungerMax	80 80gf Max.	150 150gf Max.
G309	Switch Type	G309 Series - Micro Switch	
		Straight PCB Terminals P	2.0 Short Solder Terminals With Hole G-Type S
		Other ...	Other ...

■ Circuit

■ Post Direction Define

SPST-NO	SPST-NC	
<p>The gasket is gray</p> <p>(Circuit)</p>	<p>The gasket is green</p> <p>(Circuit)</p>	<p>Left Right</p>

■ Basic Mounting Dimensions and Operating Characteristics

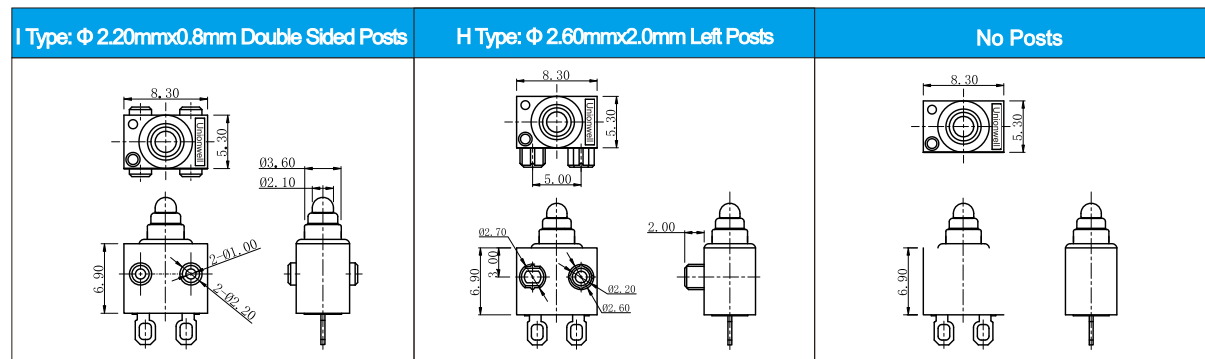
Mounting Hole Dimensions

Dimensions shown: 8.30, 0.10, 3.10, 6.90, 5.00, 2- ϕ 2.20, 4.05, 2-2.00, 8.30, 0.40, 3.70, 5.30, 0.30, 0.10, 4-0.80, ϕ 2.20, 5.00, ϕ 2.20.

■ Switch Terminal Type (Can be customized)

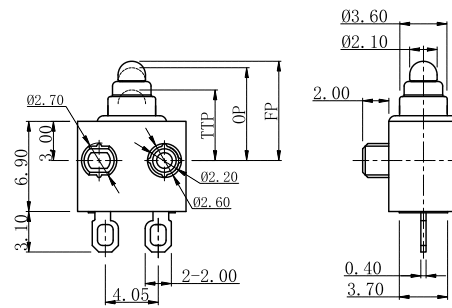
5# Straight PCB Terminals	Short Solder Terminals with Holes
<p>PCB Terminals Mounting Hole Dimensions</p> <p>Dimensions shown: 2.60, 5.05, 2-0.60, 0.40, 3-ϕ1.35 to 1.5 Dia, 5.05.</p>	<p>Dimensions shown: 2-1.96, 4.05, 0.60, 0.40.</p>
6# Solder Terminals	
<p>Dimensions shown: 3.10, 4.05, 2-2.00, 2-0.40.</p>	

■ Posts Type and Dimension



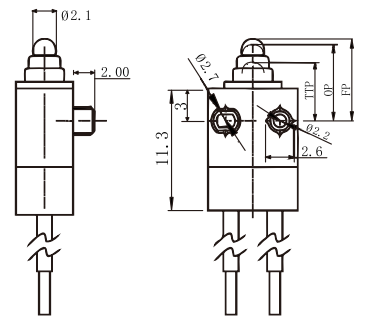
■ Dimensions and Operating Characteristics

◆ G309-150V00E40H



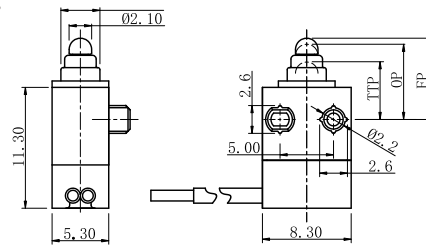
OF Max. (gf)	TTP Max. (mm)	FP Max. (mm)	OP (mm)
150	5.3	7.9	7.1 \pm 0.3

◆ G309-150M00E40H-□□□□E



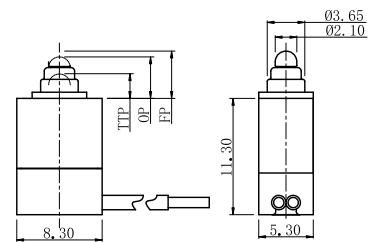
OF Max. (gf)	TTP Max. (mm)	FP Max. (mm)	OP (mm)
150	5.3	7.9	7.1 \pm 0.3

◆ G309-150M00E40H-□□□□B



OF Max. (gf)	TTP Max. (mm)	FP Max. (mm)	OP (mm)
150	5.3	7.9	7.1 \pm 0.3

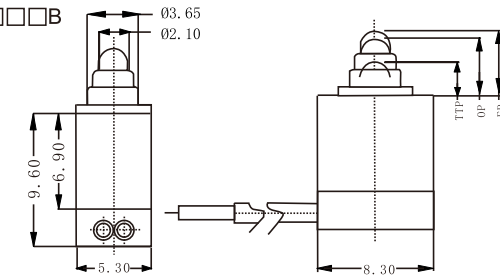
◆ G309-150M00E39-□□□□C



OF Max. (gf)	TTP Max. (mm)	FP Max. (mm)	OP (mm)
150	2.3	4.9	4.1 \pm 0.3

■ Dimensions and Operating Characteristics

◆ G309-150M00E39-□□□□B



OF Max. (gf)	TTP Max. (mm)	FP Max. (mm)	OP (mm)
150	2.3	4.9	4.1 \pm 0.3