

## G307B Series

### Sealed Triple Loop Subminiature Micro Switch



#### ■ Features

- ◆ Momentary structure, triple loop synchronization time  $\leq 50\text{ms}$ ;
- ◆ Small size, compact structure, high reliability, long life;
- ◆ Special terminal mounting method - SMT

#### ■ Application

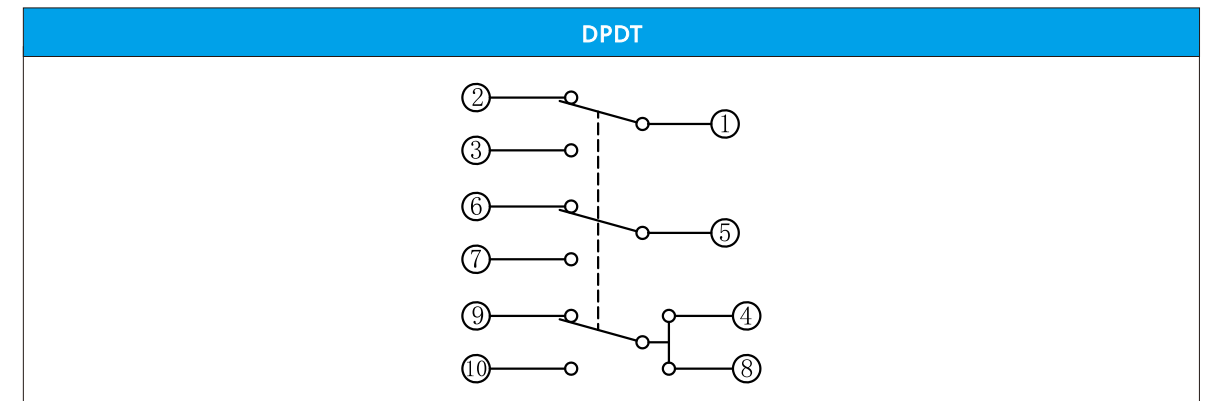
- ◆ Home Appliances
- ◆ Electronic Equipment
- ◆ Automatic Equipment
- ◆ Communication Equipment
- ◆ Auto Electronics
- ◆ Apparatus and Instruments

#### ■ Parameters

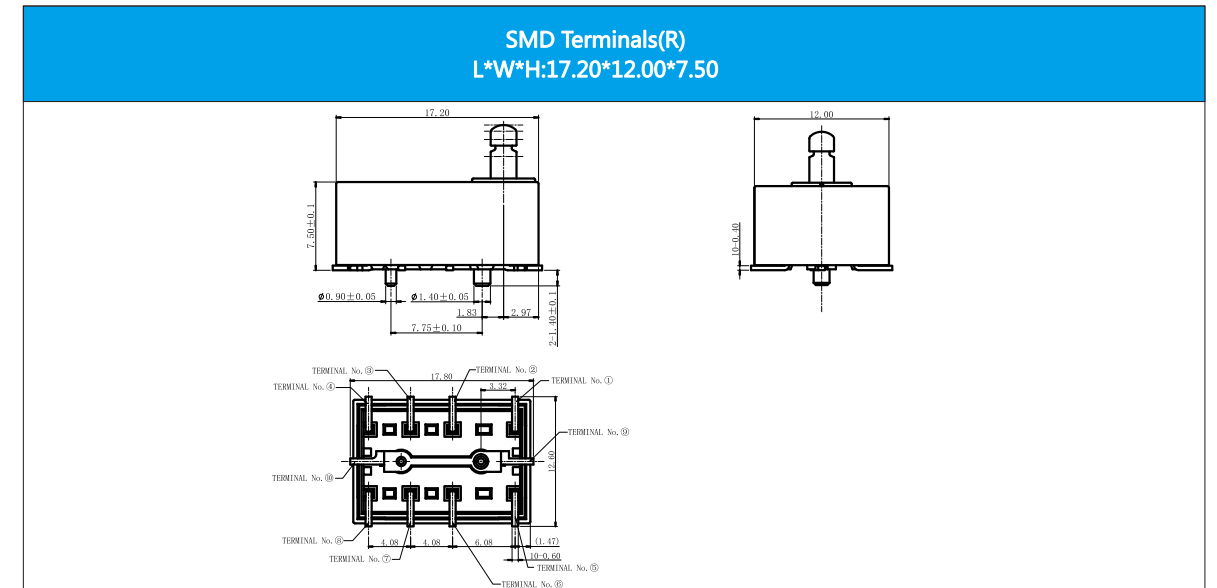
Operating		1~500mm/s
Operating Frequency		120 cycles/min
Insulation Resistance		$\geq 100\text{M}\Omega$ (at 500VDC)
Contact Resistance (Initial Value)	With terminals type	$\leq 75\text{m}\Omega$
	Between terminals	AC500V, 50/60Hz, 1min.
Voltage Resistance	Between terminals and uncharged metal parts	AC500V, 50/60Hz, 1min.
	No transformation action	10-55Hz Double amplitude 1.5mm
Service Life	Electrical	150,000 cycles (20 cycles/min) 50mA 18VDC 50 $\mu$ A 5VDC
	Mechanical	150,000 cycles (30 cycles/min)
Protection Level		IEC IP67 (Exclude terminals)
Operating Temperature		-40~+85°C 60%RH (No ice, no frost)
Operating Humidity		95%RH (+5~+35°C)

U	LOGO	Unionwell	Other	
A	Circuitry	DPDT	DPST-NC	DPST-NO
00	Lever Type	NO Lever pin plunger	Other	
P	Terminal Type	Straight PCB Terminals	SMT Terminals	Special Terminals
150	Max Operating Force at Pin Plunger	150 150gf Max	Other	
G307B	Switch Type	Switch Type		

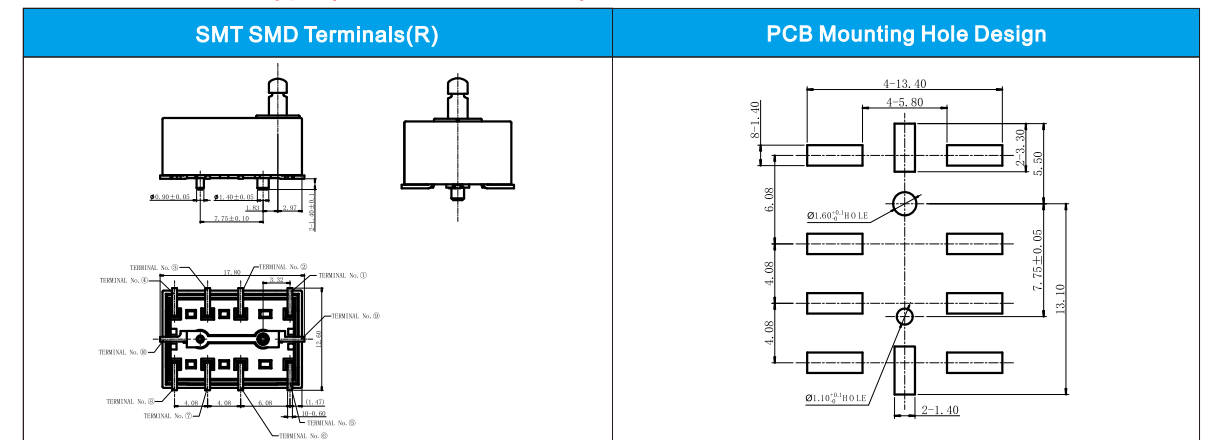
■ Circuit



■ Shape and Dimensions



■ Switch Terminal Type (can be customized)



## ■ Dimensions and Operating Characteristics

### ◆ G307B-150R00AU

