

G304D Series

2 Pin Long Travel Sealed Subminiature Micro Switch (Slide Structure)



■ Features

- ◆ Small compact size, 2 Pin switch, with lever
- ◆ Can install lock cover and operate at the various operating bodies(cams, etc.)
- ◆ The operating force does not depend on the operating travel structure
- ◆ High-reliability switch for tiny loads
- ◆ High-sealed switch, resistance to the environment(IP67)
- ◆ Mute structure with sliding contacts

■ Application

- ◆ Car
- ◆ Air-conditioner
- ◆ Communication
- ◆ Electric toothbrushes
- ◆ Toys

■ Parameters

Operating Speed		30~500mm/s
Operating Frequency		120 cycles/min.
Insulation Resistance		≥100MΩ (DC 500V)
Contact Resistance (Initial Value)	With terminals type	≤500mΩ
	With wire type	≤800mΩ (Standard wire length 300mm)
Voltage Resistance	Between terminals	AC500V, 50/60Hz, 1min.
	Between terminals and uncharged metal parts	AC1,500V, 50/60Hz, 1min.
Service Life	Electrical	300,000 cycles (30 cycles/min.) DC12V 0.1A 50μA 5VDC
	Mechanical	300,000 cycles (60 cycles/min.)
Protection Type		IEC IP67 (Except terminals)
Operating Temperature		-40~+85°C
Operating Humidity		95%RH (+5~+35°C)

G304D Series Micro Switch Ordering Instruction

G304D	150	A	B	39	A
Switch Type	Operating Force at Pin Plunger	Terminal Type	Circuitry	Posts Type	Posts Dimension
	150 150gf Max.	A Solder Terminal	B SPST-NC	39 No Post	N No Post
		B PCB Terminal	C SPST-NO	40 Left Post	A Φ2.6*2.0 Posts
		C Left Side PCB Terminal		41 Right Post	... Other
		D Right Side PCB Terminal		42 Two Sides Posts	
		... Other		... Other	

Remarks:

Product ordering rules except for the four digits of the special code can be omitted, other codes can not be omitted, see the above guidelines for details about whether there is a feature ordering description: For example: the maximum operating force of the switch is 150gf, NO switch with solder terminal, left post, no lever and no lead wire, Unionwell logo, it is G304D-150AC40A00N000U;

Description of wire length features:

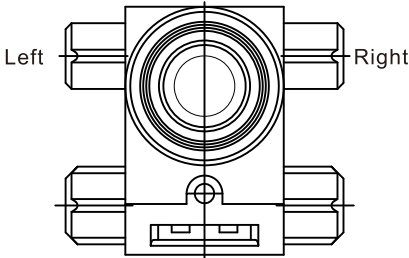
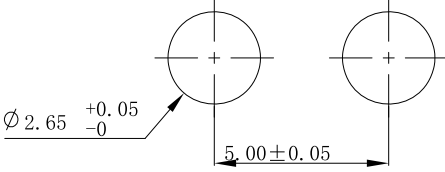
- 1.No letters and simply represent the wire length, such as 300 means the effective wire length is 300mm
- 2.With letters (only applicable to C type waterproof cover); the first number represents the wire length, and the last letter represents the built-in resistance combination, such as 300A, 300 means the wire length is 300mm, and the A resistance combination is used; Special code TXXX represents all product features except for all other non-standard designations.

Unionwell

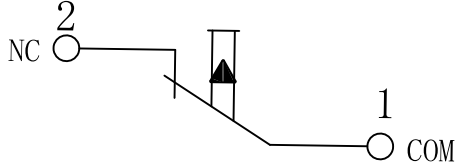
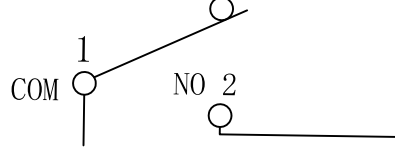
01		E		300	T001	U
Lever Type		Wire Leads Type		Wires Length	Custom Code	LOGO
00 No Lever Pin Plunger	06 06# Lever	N No Wires	J B Cover Wires Lead to Left	00 No Wires	General	U Unionwell
01 01# Lever	... Other	E A Cover Wires Lead to Bottom	K B Cover Wires Lead to Right	300 300mm Wires Length AVSS 0.3MM ² (Black Wire COM Terminal, White Wire NC/NO Terminal)	T0 01 Customized according to requirements, the code format is T+ serial number XXX, for example:T001	... Other
02 02# Lever		F A Cover Wires Lead to Left	L C Cover Wires Lead to Bottom	300A 300mm Wires Length AVSS 0.3MM ² (Black Wire COM Terminal, White Wire NC/NO Terminal) A:Build-in Resistance R1=1.5KΩ R2=1.8KΩ	... Other	
03 03# Lever		G A Cover Wires Lead to Right	M C Cover Wires Lead to Left	300B 300mm Wires Length AVSS 0.3MM ² (Black Wire COM Terminal, White Wire NC/NO Terminal) A:Build-in Resistance R1=2.0KΩ R2=1.5KΩ		
04 04# Lever		H B Cover Wires Lead to Bottom	P C Cover Wires Lead to Right	300C 300mm Wires Length AVSS 0.3MM ² (Black Wire COM Terminal, White Wire NC/NO Terminal) A:Build-in Resistance R1=2.0KΩ R2=0Ω		
05 05# Lever				... Other		

Unionwell

■ Posts Direction Identification and Mounting Hole Dimensions

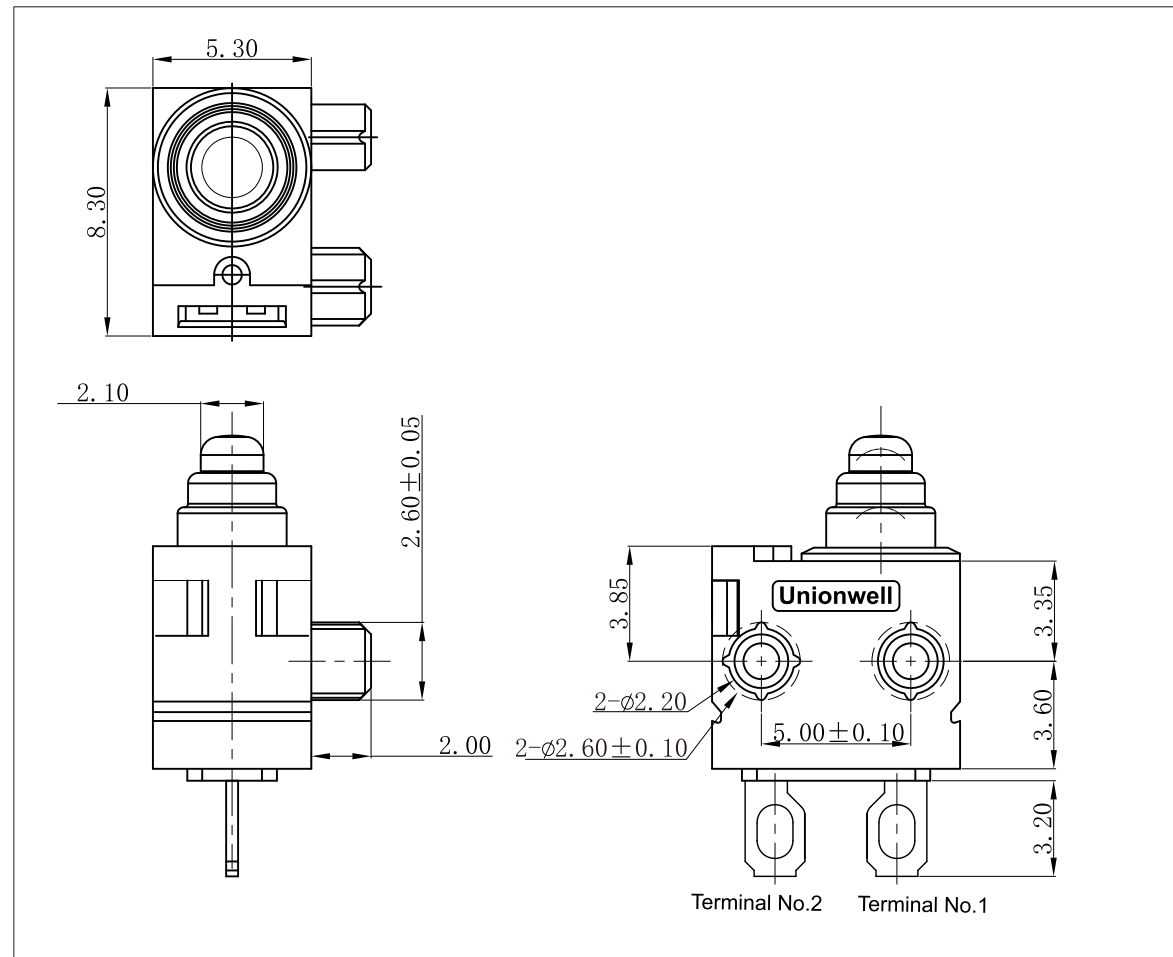
Posts Direction	Mounting Hole Dimensions
<p>Pin Plunger Position</p> 	

■ Circuitry

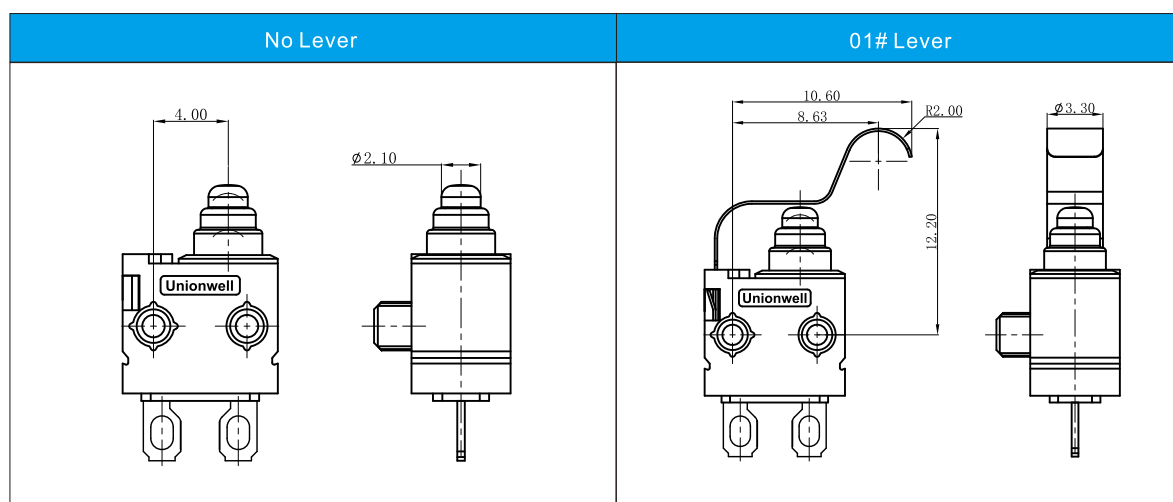
B:SPST-NC	C:SPST-NO
	

Unionwell

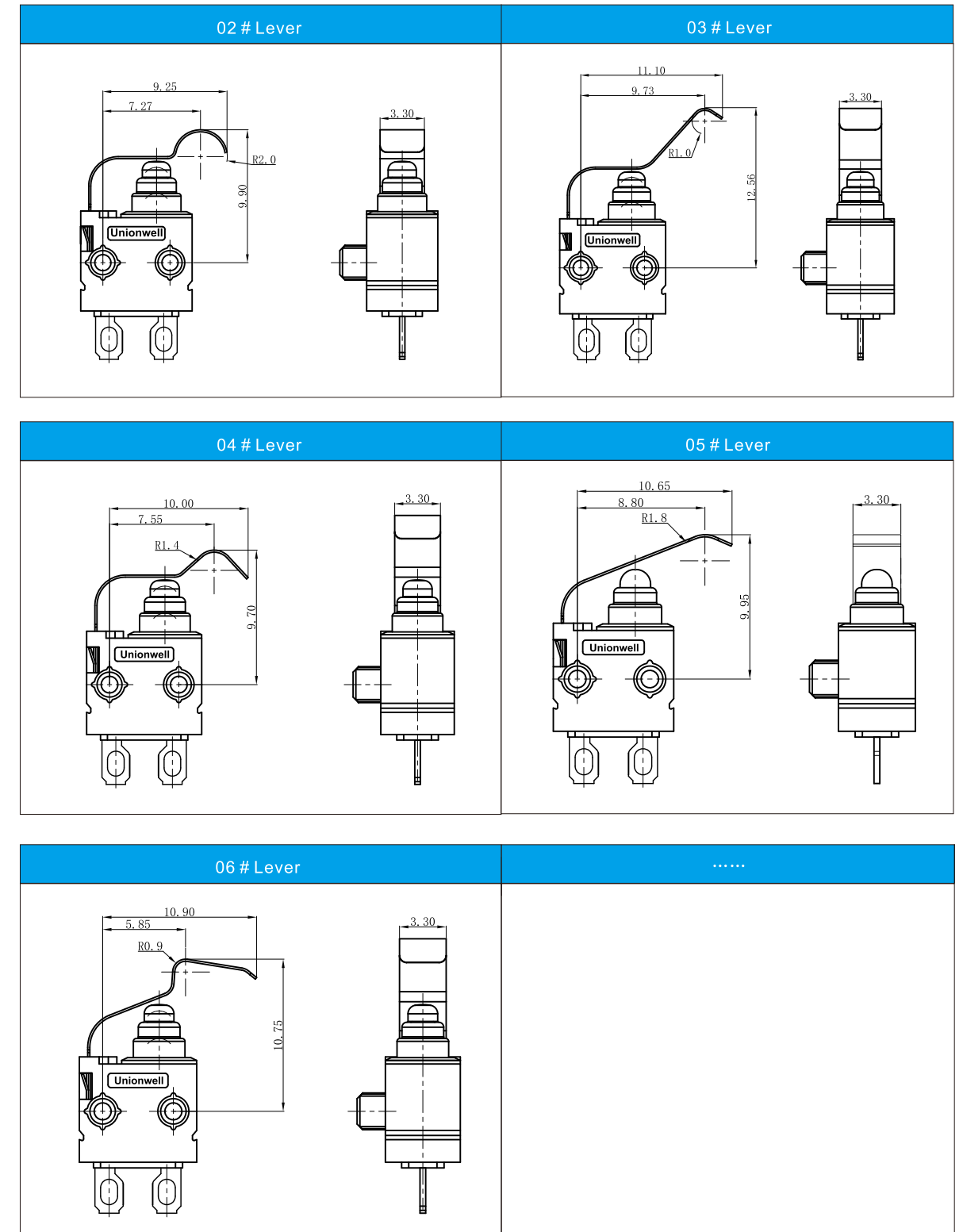
■ Dimensions (mm)



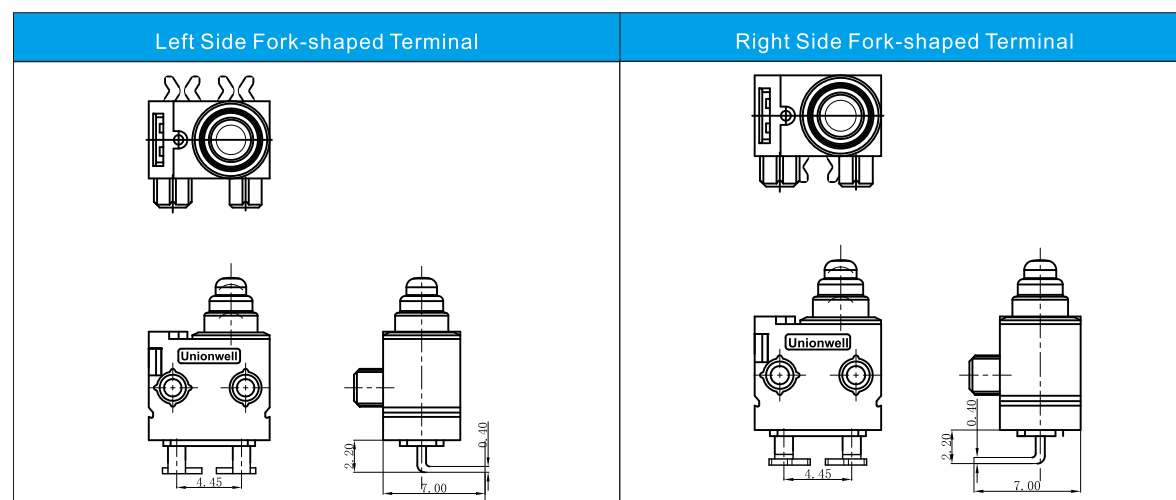
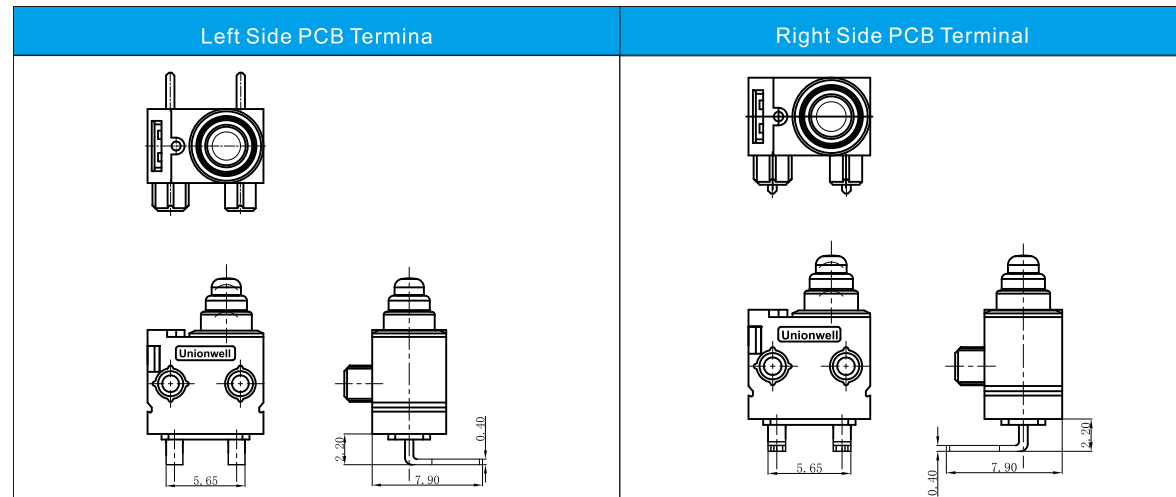
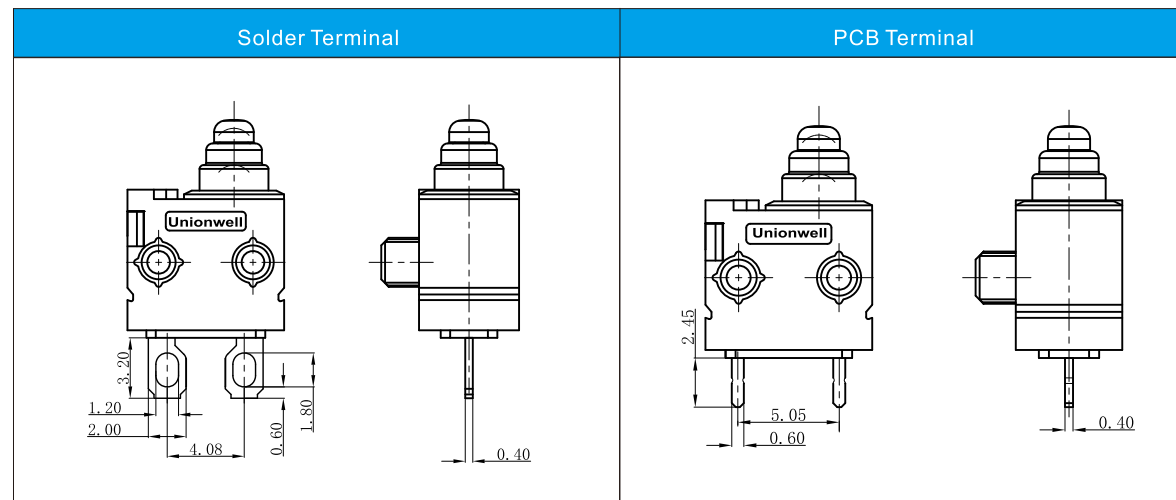
■ Lever Type



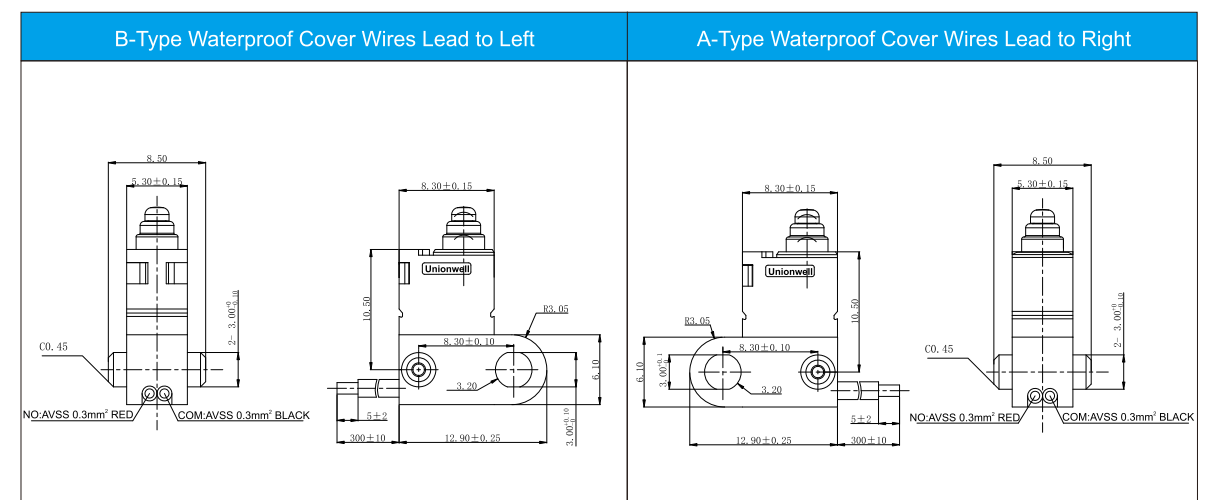
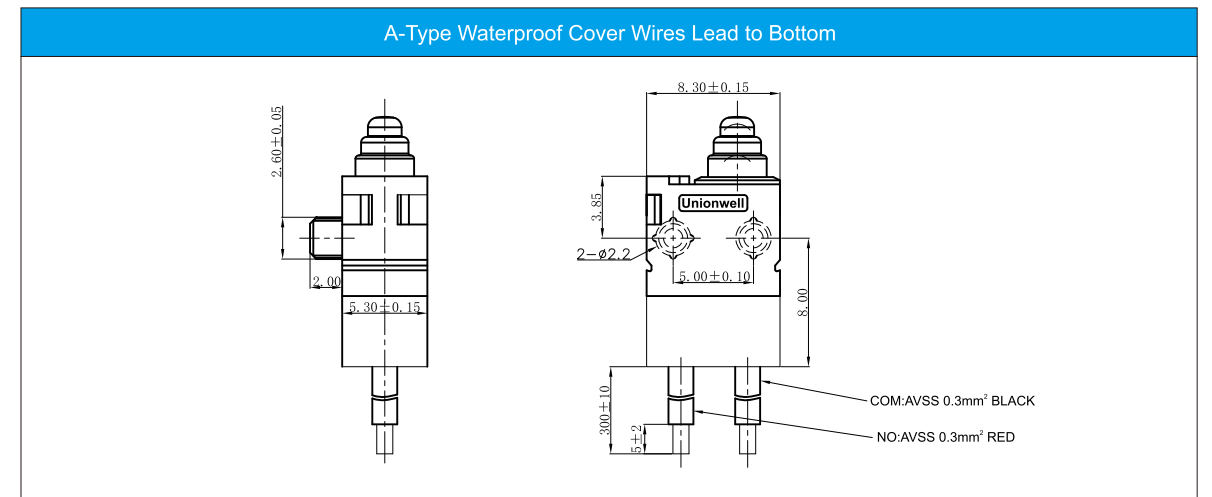
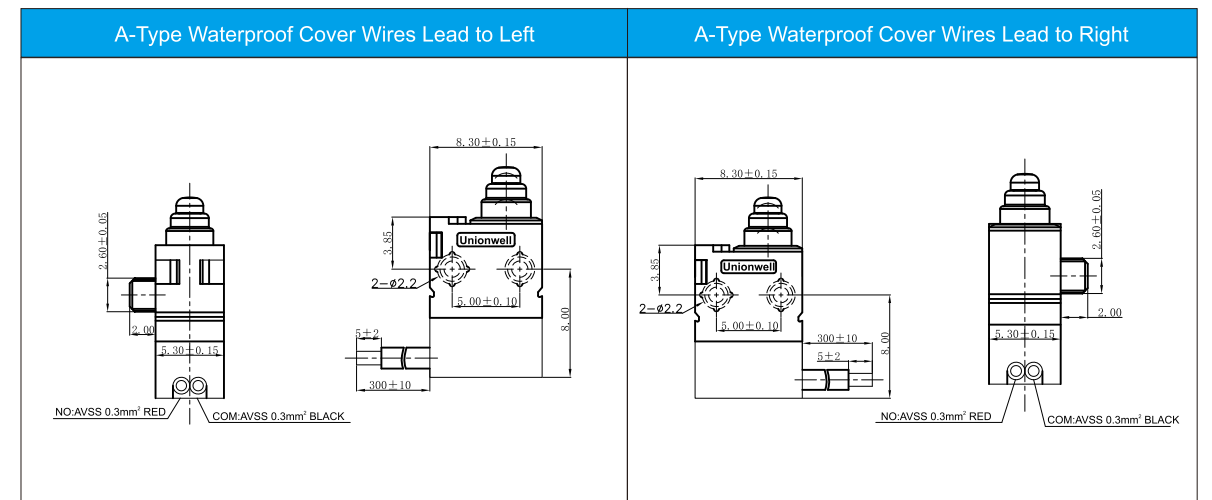
Unionwell

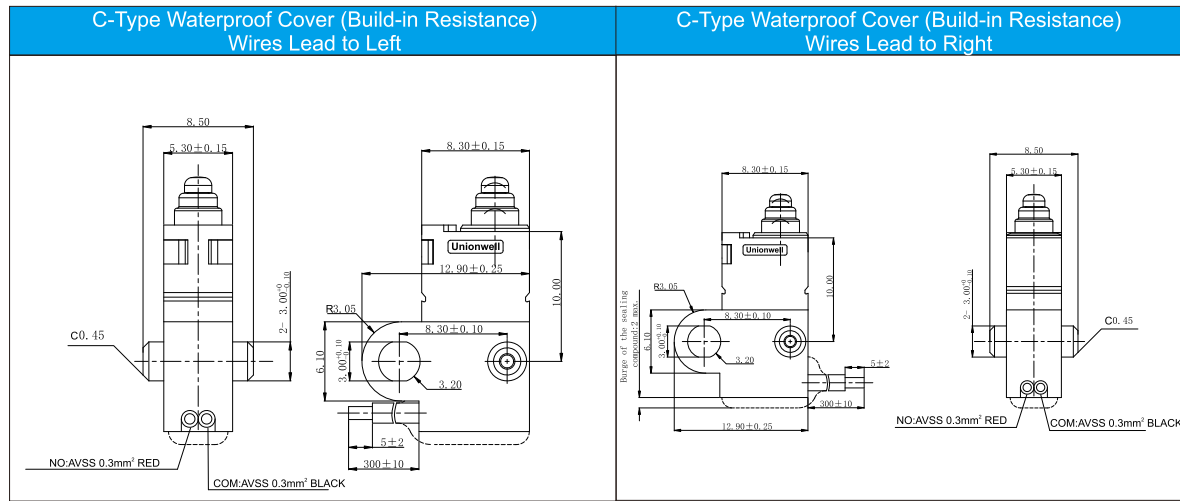
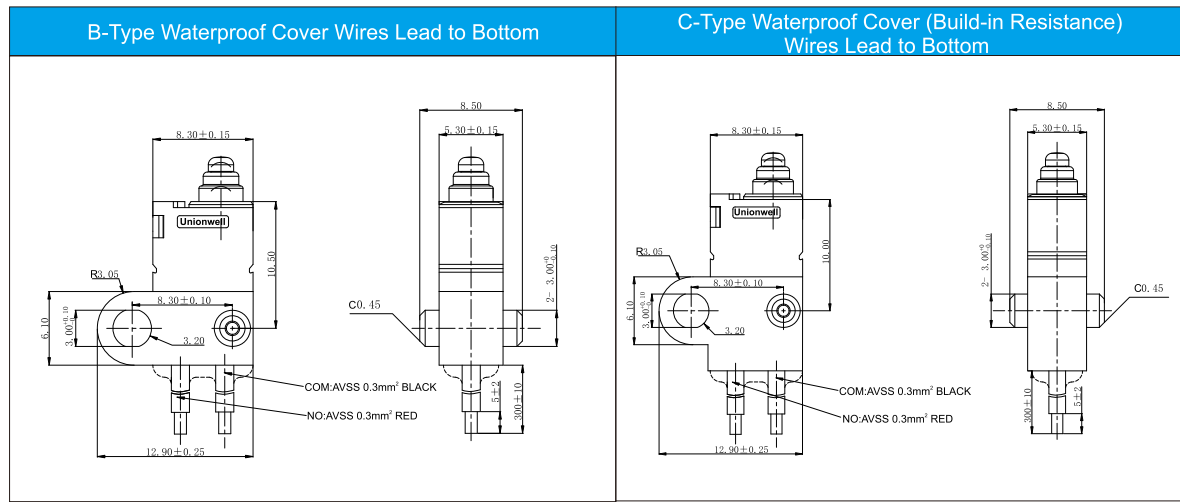


Terminal Type



Wires Lead Type





Operating Parameters

Features NO.	Features Type	Operating Parameters Diagram	Operating Parameters												
N	No Post		<table border="1"> <tr><td>P/N</td><td>G304D-150A□39N00N000U</td></tr> <tr><td>OF</td><td>150gf Max.</td></tr> <tr><td>FP</td><td>4.35mm Max.</td></tr> <tr><td>NC/NO(OP)</td><td>3.75±0.30mm</td></tr> <tr><td>NO/NO(RP)</td><td>3.80±0.30mm</td></tr> <tr><td>TTP</td><td>1.90mm Min.</td></tr> </table>	P/N	G304D-150A□39N00N000U	OF	150gf Max.	FP	4.35mm Max.	NC/NO(OP)	3.75±0.30mm	NO/NO(RP)	3.80±0.30mm	TTP	1.90mm Min.
P/N	G304D-150A□39N00N000U														
OF	150gf Max.														
FP	4.35mm Max.														
NC/NO(OP)	3.75±0.30mm														
NO/NO(RP)	3.80±0.30mm														
TTP	1.90mm Min.														
A	Φ2.6*2.0 Posts		<table border="1"> <tr><td>P/N</td><td>G304D-150A□41A00N000U</td></tr> <tr><td>OF</td><td>150gf Max.</td></tr> <tr><td>FP</td><td>7.70mm Max.</td></tr> <tr><td>NC/NO(OP)</td><td>7.10±0.30mm</td></tr> <tr><td>NO/NO(RP)</td><td>7.15±0.30mm</td></tr> <tr><td>TTP</td><td>5.15mm Min.</td></tr> </table>	P/N	G304D-150A□41A00N000U	OF	150gf Max.	FP	7.70mm Max.	NC/NO(OP)	7.10±0.30mm	NO/NO(RP)	7.15±0.30mm	TTP	5.15mm Min.
P/N	G304D-150A□41A00N000U														
OF	150gf Max.														
FP	7.70mm Max.														
NC/NO(OP)	7.10±0.30mm														
NO/NO(RP)	7.15±0.30mm														
TTP	5.15mm Min.														
F	A Cover Wires Leads to Bottom		<table border="1"> <tr><td>P/N</td><td>G304D-150A□41A00□□□U</td></tr> <tr><td>OF</td><td>150gf Max.</td></tr> <tr><td>FP</td><td>7.70mm Max.</td></tr> <tr><td>NC/NO(OP)</td><td>7.10±0.30mm</td></tr> <tr><td>NO/NO(RP)</td><td>7.15±0.30mm</td></tr> <tr><td>TTP</td><td>5.15mm Min.</td></tr> </table>	P/N	G304D-150A□41A00□□□U	OF	150gf Max.	FP	7.70mm Max.	NC/NO(OP)	7.10±0.30mm	NO/NO(RP)	7.15±0.30mm	TTP	5.15mm Min.
P/N	G304D-150A□41A00□□□U														
OF	150gf Max.														
FP	7.70mm Max.														
NC/NO(OP)	7.10±0.30mm														
NO/NO(RP)	7.15±0.30mm														
TTP	5.15mm Min.														
H	B Cover Wires Leads to Bottom		<table border="1"> <tr><td>P/N</td><td>G304D-150A□39N00□□□U</td></tr> <tr><td>OF</td><td>150gf Max.</td></tr> <tr><td>FP</td><td>14.45mm Max.</td></tr> <tr><td>NC/NO(OP)</td><td>13.75±0.35mm</td></tr> <tr><td>NO/NO(RP)</td><td>13.80±0.40mm</td></tr> <tr><td>TTP</td><td>11.75mm Min.</td></tr> </table> <p>Note: The position parameter of the switch with lever is the position parameter of switch with mounting post and lever +6.65mm.</p>	P/N	G304D-150A□39N00□□□U	OF	150gf Max.	FP	14.45mm Max.	NC/NO(OP)	13.75±0.35mm	NO/NO(RP)	13.80±0.40mm	TTP	11.75mm Min.
P/N	G304D-150A□39N00□□□U														
OF	150gf Max.														
FP	14.45mm Max.														
NC/NO(OP)	13.75±0.35mm														
NO/NO(RP)	13.80±0.40mm														
TTP	11.75mm Min.														

Features NO.	Features Type	Operating Parameters Diagram	Operating Parameters												
L	C Cover Wires Leads to Bottom		<table border="1"> <tr> <td>P/N</td> <td>G304D-150A□39N00■□□□U</td> </tr> <tr> <td>OF</td> <td>150gf Max.</td> </tr> <tr> <td>FP</td> <td>14.45mm Max.</td> </tr> <tr> <td>NC/NO(OP)</td> <td>13.75±0.35mm</td> </tr> <tr> <td>NO/NO(RP)</td> <td>13.80±0.40mm</td> </tr> <tr> <td>TTP</td> <td>11.75mm Min.</td> </tr> </table> <p>Note: The position parameter of the switch with lever is the position parameter of switch with mounting post and lever +6.65mm.</p>	P/N	G304D-150A□39N00■□□□U	OF	150gf Max.	FP	14.45mm Max.	NC/NO(OP)	13.75±0.35mm	NO/NO(RP)	13.80±0.40mm	TTP	11.75mm Min.
P/N	G304D-150A□39N00■□□□U														
OF	150gf Max.														
FP	14.45mm Max.														
NC/NO(OP)	13.75±0.35mm														
NO/NO(RP)	13.80±0.40mm														
TTP	11.75mm Min.														

Operating Parameters

Lever NO.	Lever Type	Lever Assembly Diagram	Operating Parameters												
01	1# Lever		<table border="1"> <tr> <td>P/N</td> <td>G304D-150A□41A01N000U</td> </tr> <tr> <td>OF</td> <td>150gf Max.</td> </tr> <tr> <td>FP</td> <td>13.40mm Max.</td> </tr> <tr> <td>NC/NO(OP)</td> <td>10.80±0.70mm</td> </tr> <tr> <td>NO/NO(RP)</td> <td>11.10±0.80mm</td> </tr> <tr> <td>TTP</td> <td>7.90mm Min.</td> </tr> </table>	P/N	G304D-150A□41A01N000U	OF	150gf Max.	FP	13.40mm Max.	NC/NO(OP)	10.80±0.70mm	NO/NO(RP)	11.10±0.80mm	TTP	7.90mm Min.
P/N	G304D-150A□41A01N000U														
OF	150gf Max.														
FP	13.40mm Max.														
NC/NO(OP)	10.80±0.70mm														
NO/NO(RP)	11.10±0.80mm														
TTP	7.90mm Min.														
02	2# Lever		<table border="1"> <tr> <td>P/N</td> <td>G304D-150A□41A02N000U</td> </tr> <tr> <td>OF</td> <td>150gf Max.</td> </tr> <tr> <td>FP</td> <td>10.70mm Max.</td> </tr> <tr> <td>NC/NO(OP)</td> <td>8.50±0.70mm</td> </tr> <tr> <td>NO/NO(RP)</td> <td>8.85±0.80mm</td> </tr> <tr> <td>TTP</td> <td>6.60mm Min.</td> </tr> </table>	P/N	G304D-150A□41A02N000U	OF	150gf Max.	FP	10.70mm Max.	NC/NO(OP)	8.50±0.70mm	NO/NO(RP)	8.85±0.80mm	TTP	6.60mm Min.
P/N	G304D-150A□41A02N000U														
OF	150gf Max.														
FP	10.70mm Max.														
NC/NO(OP)	8.50±0.70mm														
NO/NO(RP)	8.85±0.80mm														
TTP	6.60mm Min.														

Lever NO.	Lever Type	Lever Assembly Diagram	Operating Parameters												
03	3# Lever		<table border="1"> <tr> <td>P/N</td> <td>G304D-150A□41A03N000U</td> </tr> <tr> <td>OF</td> <td>150gf Max.</td> </tr> <tr> <td>FP</td> <td>12.50mm Max.</td> </tr> <tr> <td>NC/NO(OP)</td> <td>10.35±0.70mm</td> </tr> <tr> <td>NO/NO(RP)</td> <td>10.50±0.80mm</td> </tr> <tr> <td>TTP</td> <td>6.80mm Min.</td> </tr> </table>	P/N	G304D-150A□41A03N000U	OF	150gf Max.	FP	12.50mm Max.	NC/NO(OP)	10.35±0.70mm	NO/NO(RP)	10.50±0.80mm	TTP	6.80mm Min.
P/N	G304D-150A□41A03N000U														
OF	150gf Max.														
FP	12.50mm Max.														
NC/NO(OP)	10.35±0.70mm														
NO/NO(RP)	10.50±0.80mm														
TTP	6.80mm Min.														
04	4# Lever		<table border="1"> <tr> <td>P/N</td> <td>G304D-150A□41A04N000U</td> </tr> <tr> <td>OF</td> <td>150gf Max.</td> </tr> <tr> <td>FP</td> <td>10.20mm Max.</td> </tr> <tr> <td>NC/NO(OP)</td> <td>8.50±0.70mm</td> </tr> <tr> <td>NO/NO(RP)</td> <td>8.80±0.80mm</td> </tr> <tr> <td>TTP</td> <td>5.70mm Min.</td> </tr> </table>	P/N	G304D-150A□41A04N000U	OF	150gf Max.	FP	10.20mm Max.	NC/NO(OP)	8.50±0.70mm	NO/NO(RP)	8.80±0.80mm	TTP	5.70mm Min.
P/N	G304D-150A□41A04N000U														
OF	150gf Max.														
FP	10.20mm Max.														
NC/NO(OP)	8.50±0.70mm														
NO/NO(RP)	8.80±0.80mm														
TTP	5.70mm Min.														
05	5# Lever		<table border="1"> <tr> <td>P/N</td> <td>G304D-150A□41A05N000U</td> </tr> <tr> <td>OF</td> <td>150gf Max.</td> </tr> <tr> <td>FP</td> <td>10.70mm Max.</td> </tr> <tr> <td>NC/NO(OP)</td> <td>7.85±0.70mm</td> </tr> <tr> <td>NO/NO(RP)</td> <td>8.25±0.80mm</td> </tr> <tr> <td>TTP</td> <td>5.80mm Min.</td> </tr> </table>	P/N	G304D-150A□41A05N000U	OF	150gf Max.	FP	10.70mm Max.	NC/NO(OP)	7.85±0.70mm	NO/NO(RP)	8.25±0.80mm	TTP	5.80mm Min.
P/N	G304D-150A□41A05N000U														
OF	150gf Max.														
FP	10.70mm Max.														
NC/NO(OP)	7.85±0.70mm														
NO/NO(RP)	8.25±0.80mm														
TTP	5.80mm Min.														
06	6# Lever		<table border="1"> <tr> <td>P/N</td> <td>G304D-150A□41A06N000U</td> </tr> <tr> <td>OF</td> <td>150gf Max.</td> </tr> <tr> <td>FP</td> <td>11.70mm Max.</td> </tr> <tr> <td>NC/NO(OP)</td> <td>9.80±0.70mm</td> </tr> <tr> <td>NO/NO(RP)</td> <td>10.05±0.80mm</td> </tr> <tr> <td>TTP</td> <td>8.50mm Min.</td> </tr> </table>	P/N	G304D-150A□41A06N000U	OF	150gf Max.	FP	11.70mm Max.	NC/NO(OP)	9.80±0.70mm	NO/NO(RP)	10.05±0.80mm	TTP	8.50mm Min.
P/N	G304D-150A□41A06N000U														
OF	150gf Max.														
FP	11.70mm Max.														
NC/NO(OP)	9.80±0.70mm														
NO/NO(RP)	10.05±0.80mm														
TTP	8.50mm Min.														