

G305 Series

Waterproof Subminiature Micro Switch



Features

- ◆ Designed for water and dust tight (IP67)
- ◆ Small compact size
- ◆ Long life and high reliability
- ◆ Widely used in automotive electronics, home appliances and industrial control

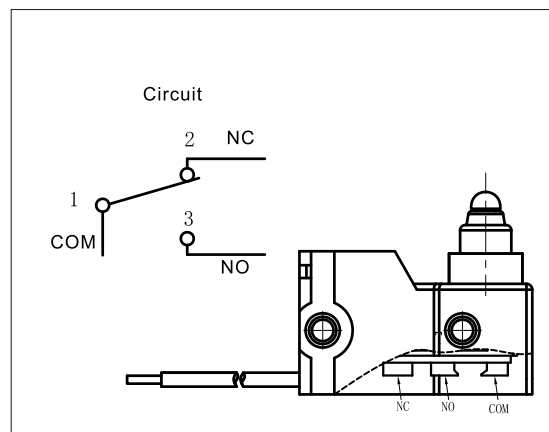
Application

- ◆ Car
- ◆ Air - Conditioner
- ◆ Communication
- ◆ Electric Toothbrush
- ◆ Toys
- ◆ Bicycle

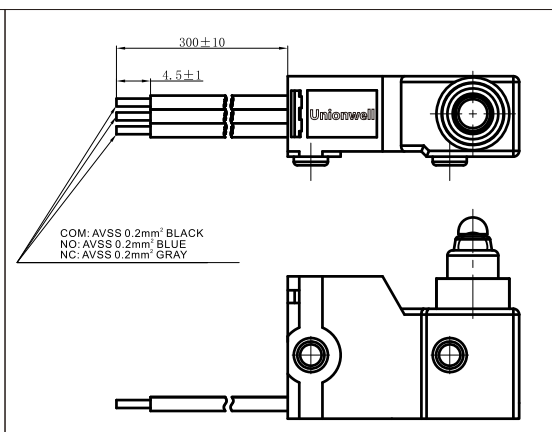
Parameters:

Rating	2A 24VDC 4A 12VDC 40T85 U10E4	
Operating Frequency	Electrical	0.1A-120 cycles/min; 4A-10~30 cycles/min
	Mechanical	120 cycles/min
Contact Resistance (Initial)	100mΩ Max	
Insulation Resistance (at 500VDC)	100MΩ Min	
Vibration Durability	10~55Hz, move 0.75mm (p-p)	
Dielectric Strength	500VAC (50~60Hz)	
Operating Temperature	-40°C~+85°C	
Operating Humidity	85% RH Max	
Service Life	Electrical	Min.10,000 cycles
	Mechanical	Min.500,000 cycles

Circuit



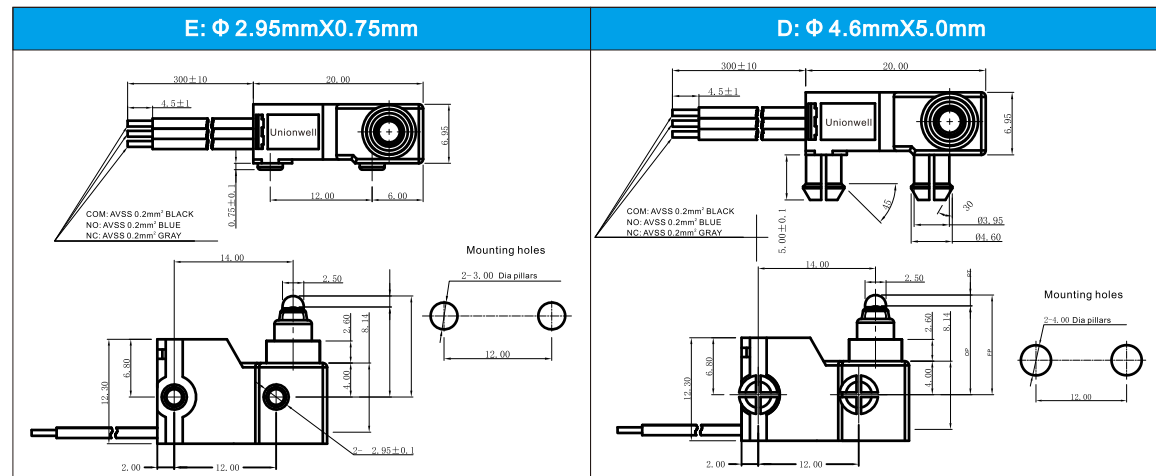
Switch Wire Type



G3	Switch Type	2A 24VDC 4A 12VDC 40T85 μ 10E4	
05	Electrical Rating	130# Spring	130
130	Operating Force at Plunger, Max	Molded lead wires on right side, far from pin plunger side	F
F	Terminal Type	00 No lever pin plunger	00
00	Lever Type	A SPDT	A
A	Circuitry	33 Left side posts	33
D	Posts Dimension	Cross type Φ 4.6mm x 5.0mm posts.	D
I	AWG Type (For wire type only)	Φ 2.95mm x 0.75mm posts.	E
F	AWG Number (For wire type only)	Other	...
280	Wires Length	280mm length	280
T001	Custom Code	300mm length standard lead wires	T001
U	LOGO	General	U
		Unionwell	U
		Other	...
		Customized according to requirements, the code format is T+ serial number XXX, for example: T001	T001
		Other	...

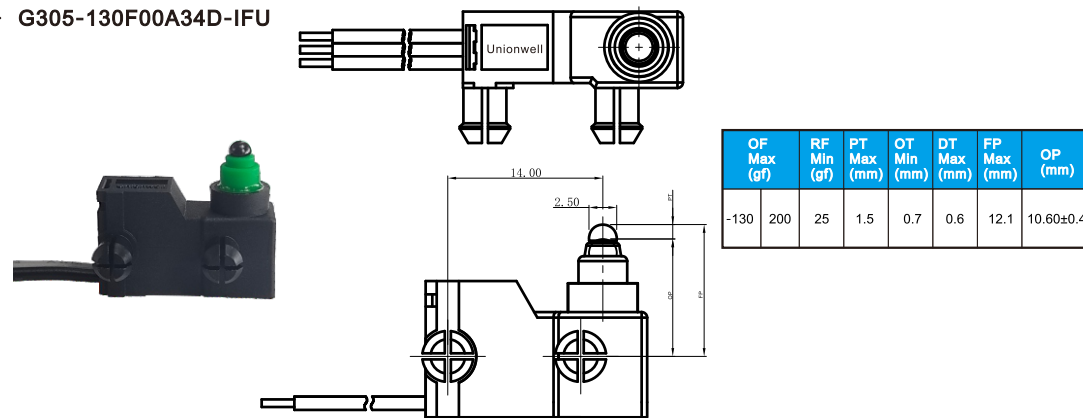
Unionwell

■ Dimensions and Operating Characteristics of Basic Shape



■ Switch Lever and Operating Characteristics

◆ G305-130F00A34D-IFU



◆ G305-130F13A34D-IFU

