

G16 Series

Waterproof Swing Rotary Switch



■ Features

- ◆ Water and dust proof design (IP67)
- ◆ Long life, high reliability
- ◆ Bidirectional conduction design
- ◆ Mini size, could be used in tight space

■ Application

- ◆ Car
- ◆ Industrial Control

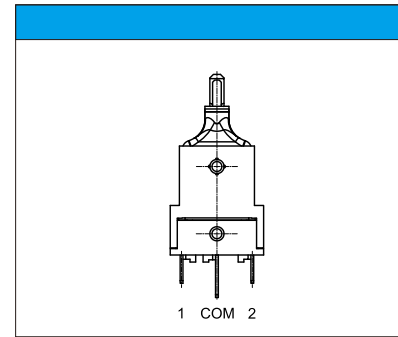
■ Parameters

Rating		0.1A 12VDC
Operating Frequency	Electrical	20 cycles/min.
	Mechanical	30 cycles/min.
Contact Resistance (Initial Value)		200mΩ Max.
Insulation Resistance		100MΩ Min.
Vibration Durability		10~55Hz, Amplitude 1.5mm
Shock Resistance		Acceleration 98m/s ² , Time 11ms
Voltage Resistance	Between terminals	500VAC 50~60Hz for 1 Min.
	Between terminals and housing	1,000VAC 50~60Hz for 1 Min.
Service Life	Electrical	100,000 cycles
	Mechanical	100,000 cycles
Operating Force		200gf Max.
Operating Temperature		-40°C~ +85°C
Operating Humidity		85% RH Max.

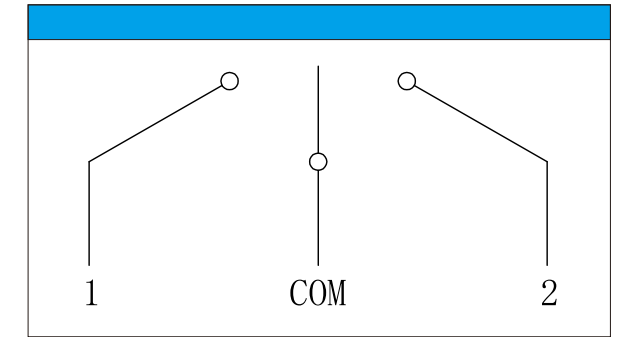
G16 Series Swing Rotary Switch Ordering Instruction

G16	Switch Type	G16 Series Swing Rotary Switch		
01	Electrical Rating	01 0.1A 12VDC		
200	Max Operating Force at Swing Arm	200 200gf Max		
A	Terminal Type	Vertical Type No-hole solder Terminals (3.0mm wide)		
00	Lever Type	00 Swing Arm		
A	Circuitry	A SPDT-NO		
00	Posts Type	00 Posts: $\Phi 2.0 \times 2.0\text{mm}$	01 Posts: $\Phi 2.4 \times 2.7\text{mm}$	
A	Posts Center Distance	A 9.5mm	B 12.0mm	C 12.5mm
T001	Custom Code	General	Customized according to requirements. The code format is T+XXX for example: T001	
U	LOGO	Unionwell	U	Other

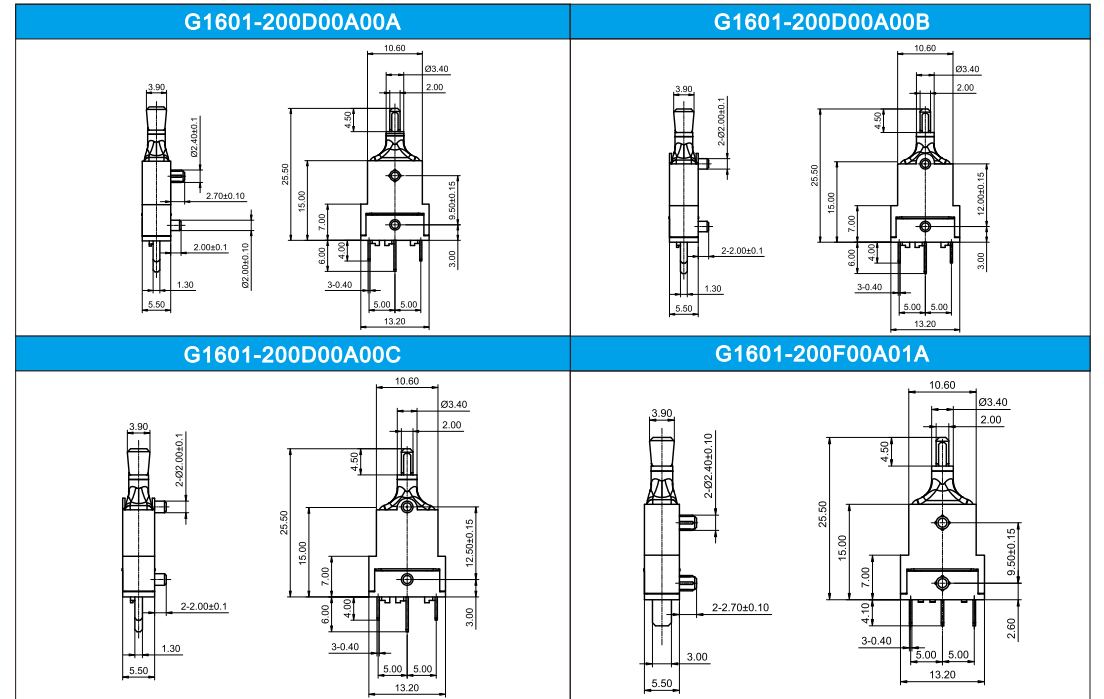
Shape



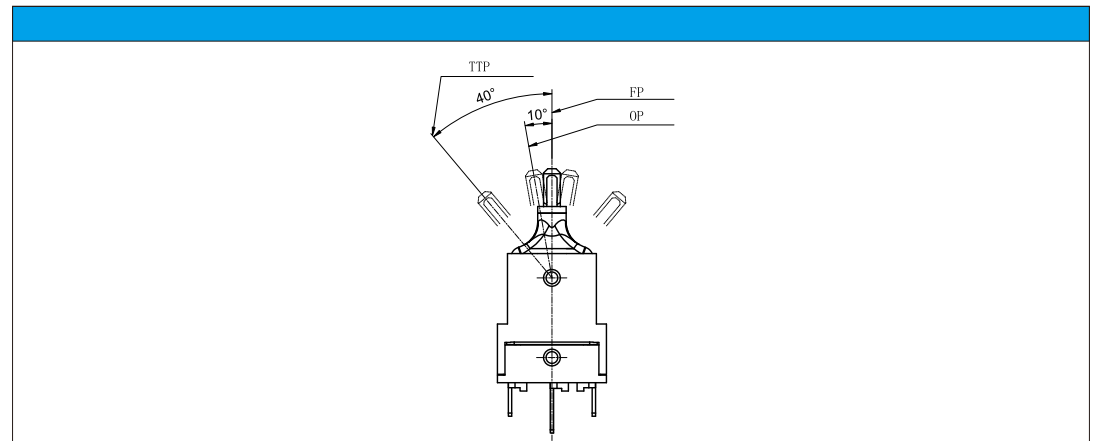
Circuit Configuration



Dimension



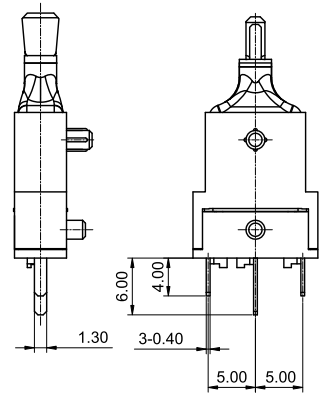
Parameters



Unionwell

■ Terminal Type

D13# Vertical Type Straight PCB Terminals



F Vertical Type No-hole solder Terminals

