

ProductID 308-FG-02 series

Bare Die (Flip chip form, Au Pad)

Typical Optical-Electrical Characteristics

($I_F=100\text{mA}$, $T_a=25^\circ\text{C}$)

| Item | Symbol | Unit | 308-FG-02-C | | |
|----------------------------|-----------------|------|-------------|-----|-----|
| | | | Min | Typ | Max |
| Peak Wavelength | λ_p | nm | 303 | 308 | 313 |
| Radiant Flux | P_o | mW | - | 24 | - |
| Full Width at Half Maximum | $\Delta\lambda$ | nm | - | 15 | - |
| Forward Voltage | V_F | V | - | 5.4 | - |

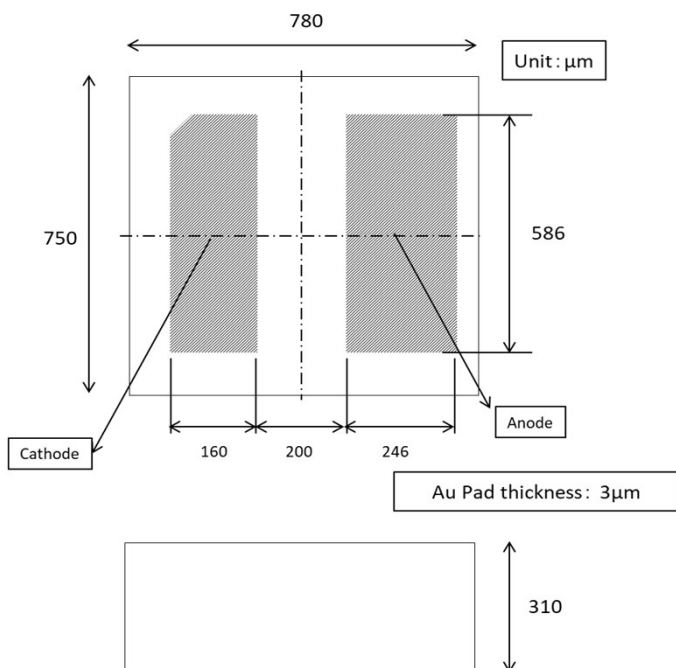
(*)Peak Wavelength Measurement tolerance is $\pm 3\text{nm}$.

(**)Radiant Flux Measurement tolerance is $\pm 10\%$.

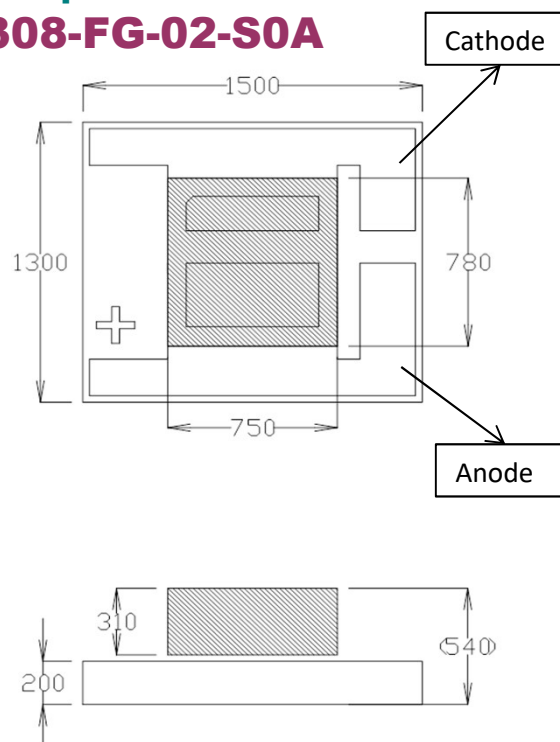
Specification and dimension are subject to change for improvement without notice.


Product ID, Physical dimensions and Sapmle photo

308-FG-02-C



308-FG-02-S0A



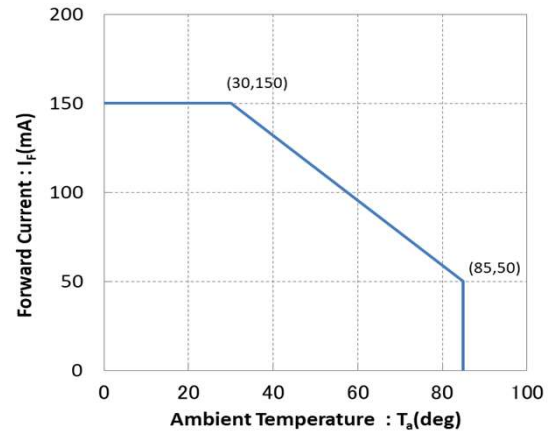
| | |
|---|--|
|  | WARNING |
| | <ul style="list-style-type: none"> • LEDs emit very strong UV radiation. • Do not look at the LED light with the naked eye or irradiate the skin. UV radiation can harm your eyes and skin. • To prevent UV radiation exposure, wear protective eyewear and protective equipment. • If LEDs are embedded in devices, please indicate warning labels against the UV light LED used. • Keep out of reach of children. |

ProductID 308-FG-02 series Bare Die (Flip chip form, Au Pad)

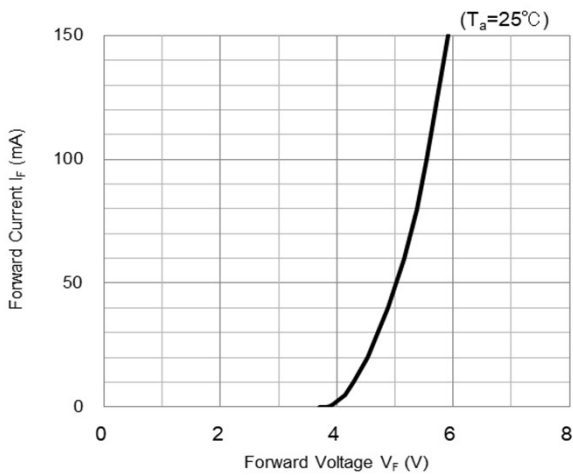
Absolute Maximum Ratings

| Item | Symbol | Unit | Value |
|-----------------------|-----------|------|-----------------------------|
| Forward Current | I_F | mA | 150 |
| Junction Temperature | T_J | °C | 90 |
| Operating Temperature | T_{OPR} | °C | -30 ~ +85 |
| Storage Temperature | T_{STR} | °C | -40 ~ +85 (No condensation) |

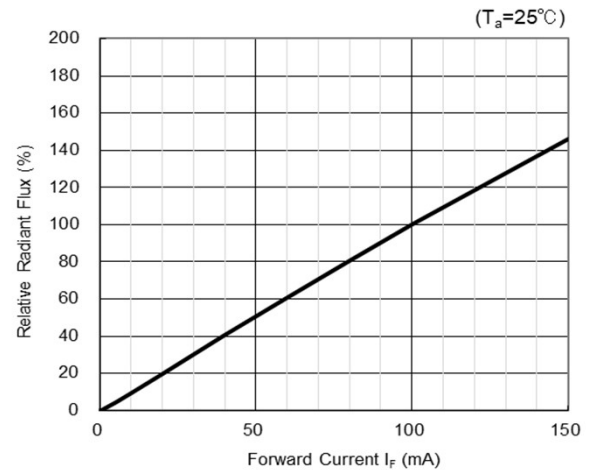
Derating Curve



Forward Voltage vs Forward Current



Forward Current vs Radiant Flux



Spectrum

