

上海长锦机电设备有限公司

Shanghai Sinolift Mechanical and Electrical Equipment Co.,Ltd



全国统一热线

0086-21-68014500

地址：上海浦东新区大川公路2471号

电话：021-68014500 0086-21-58003681

网址：www.sinolift.com www.sinoliftchina.com

手机：0086 138 1757 2420

Address: No. 2471 Dachuan Road, Nanhui Industry Park, Pudong New District, Shanghai, 201399,P.R.China

Tel: 0086-21-68014500 or 0086-21-58003681

Fax: 0086-21-68014262

Website: www.sinolift.com www.sinoliftchina.com

Skype: sinolift

Whatsapp & Mobile: 0086 138 1757 2420

 **SINOLIFT**
For material handling



Easy Lift, Easy Life!

手动/电动平台车系列 MANUAL/ELECTRIC TABLE LIFT



**OUR COMPANY
TRACTOR TRUCK BROCHURE DESIGN**

科技创新 引领未来

TECHNOLOGICAL INNOVATION LEADS THE FUTURE



企业简介

浙江新力特机械制造有限公司是上海长锦机电设备有限公司（新力特集团）的全资子公司。

我们的愿景：我们奋勇向前，通过建立理想且互利的合作伙伴关系，塑造制造业的未来。

新力特机械制造有限公司提供广泛多样的产品系列，这对于任何物料搬运操作而言都是必不可少的。我们的产品包括液压升降台、装卸设备、尾板、装卸平台、升降平台和高空作业升降设备。我们所有的产品均采用顶级材料精心制造，确保了无与伦比的可靠性和长期性能。无论贵公司是在搬运重型材料还是轻型部件，新力特都致力于根据您的特定需求，提供定制且有效的物料搬运解决方案。

新力特是一家专注于物流升降平台和物流搬运设备研发、制造与销售的国家高新技术企业。公司拥有一支具有前瞻性和进取精神的管理团队、以客户为中心的销售团队、创新且以研发为导向的技术团队，以及高效稳定的生产和检验团队。此外，我们的产品已成功通过ISO9001和官方TUV CE认证，并获得了多项发明专利以及十多项其他类型的专利。每件产品都严格按照JB/T 9229.1(2/3) - 1999标准制造。高品质产品是我们企业发展的基石。在严格把控质量的同时，我们从国内顶尖企业采购每一个零部件。此外，根据客户要求，我们也可以使用指定品牌的零部件。只有不断提升产品质量，我们才能充分满足客户需求，推动企业的可持续发展。

SINOLIFT



Zhejiang Sinolift Machinery Manufacture Co., Ltd. is a wholly - owned subsidiary of Shanghai Sinolift Mechanical & Electrical Equipment Co., Ltd. (Sinolift Group).

Our Vision: We forge ahead to shape the future of the manufacturing industry by establishing ideal and mutually - beneficial partnerships.

Sinolift Machinery Manufacture Co., Ltd. presents an extensive and diverse product portfolio, which is indispensable for any material - handling operation. Our product range encompasses Hydraulic Table Lifts, Dock Equipment, Tail - lifts, Dock Levelers, Lift Platforms, and Aerial Working Lifts. Each product is meticulously crafted using top - tier materials, ensuring unparalleled dependability and long - term performance. Whether your company is dealing with heavy - duty materials or lightweight components, Sinolift is committed to providing a customized and effective material - handling solution tailored to your specific requirements. Sinolift stands as a national high - tech enterprise, dedicated to the research, development, manufacturing, and sales of logistics lifting platforms and logistics handling equipment. The company prides itself on having a forward - thinking and enterprising management team, a customer - centric sales team, an innovative and research - driven technical team, and an efficient and stable production and inspection team. Moreover, our products have successfully passed the ISO9001 and official TUV CE certifications, and we have secured a number of invention patents along with over ten other types of patents. Every product is manufactured in strict accordance with the JB/T 9229.1(2/3) - 1999 standard. High - quality products are the cornerstone of our enterprise' s development. While maintaining strict quality control, we source each component from top - notch domestic enterprises. Additionally, upon customer request, we can also utilize parts from appointed brands. Only by continuously enhancing product quality can we fully meet customer needs and drive the sustainable development of the enterprise.



激光管形切割/Laser Tube Cutting



激光板材切割/Laser Cutting



标准喷塑流水线/Standard Assembly Line



非标喷塑流水线/Non Standard Assembly Line



机械手臂焊接/Mechanical Arm Welding



激光焊接/Laser Welding



冲床/Punching Machine



油压机/Press Machine



快速分拣货架/Sorting shelves



样品厅/Sample Room



会议室/Meeting Room



工作团队/Team



单剪、双剪小台面电动升降平台 [H Z Series]

Mini Lift Table

- ◆ 品牌高质量泵站，货物提升平稳有力
- ◆ 台面下方四周安全档条装置，当台面下降遇到障碍物时立即停止，确保安全
- ◆ 采用防夹剪叉设计，防止夹伤
- ◆ 带防爆阀和过载保护功能，保证安全、可靠
- ◆ 配有安全楔形块，方便维修
- ◆ 微型台面，适用于特殊尺寸货物
- ◆ 符合 EN1570 和 ANSI/ASME 安全标准

- Small platform for special size material.
- High quality power unit for stable and safe lifting.
- Upper platform lifted with aluminum safety bar preventing descent on contact with obstructions.
- Equipped with safety system and overload protection system to ensure your safe operation.
- Meet EN1570 norm and ANSI/ASME safety standard.



HZ500

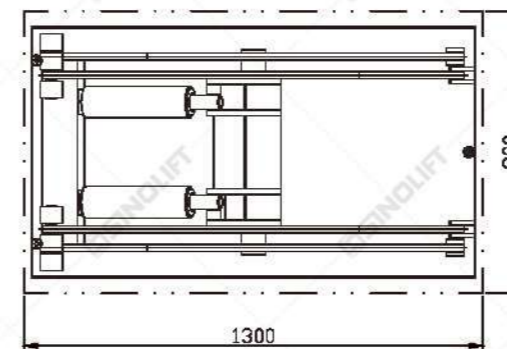


HZ1001

型号 Model		HZ500	HZ1001
额定载重 Capacity	(kg)	500	1000
台面尺寸 Platform Size	(mm)	916×610	916×610
底座尺寸 Base Frame Size	(mm)	700×450	906×585
台面最低高度 Lowered Height	(mm)	162	180
台面最高高度 Raised Height	(mm)	950	770
起升时间 Lift Time	(s)	17-22	15-20
泵站参数 Power Pack		380V/50HZ, AC 0.75Kw	380V/50HZ, AC 1.1Kw
净重 Net Weight	(kg)	98	115

标准型电动升降平台 [HIW Series]

Standard Electric Lift Table



HIW200

- ◆ 钢板剪叉设计，平台高度更低，结构刚性更强，使用更安全、可靠
- ◆ 品牌高质量泵站，货物提升平稳有力
- ◆ 台面下方四周安全档条装置，当台面下降遇到障碍物时立即停止，确保安全
- ◆ 带防爆阀和过载保护功能，更安全、可靠
- ◆ 薄型货叉设计，可在地面或地坑中使用
- ◆ 符合 EN1570 和 ANSI/ASME 安全标准

- High quality power unit for stable and safe lifting.
- These models can be used in above-floor or in-floor pit applications.
- Equipped with safety system and overload protection system to ensure your safe operation.
- Meet EN1570 norm and ANSI/ASME safety standard.



型号 Model		HIW50(1.0EU)	HIW100(2.0EU)	HIW200(4.0EU)	HIW300(3.0EU)
额定载重 Capacity	(kg)	500	1000	2000	3000
台面尺寸 Platform Size	(mm)	1300×800	1300×800	1300×800	1300×800
台面最低高度 Lowered Height	(mm)	190	190	190	220
台面最高高度 Raised Height	(mm)	1010	1010	1010	1020
起升时间 Lift Time	(s)	15	25	40	26
泵站参数 Power Pack		380V/50HZ 0.75Kw			380V/50HZ 1.5Kw
净重 Net Weight	(kg)	160	220	280	320



标准型电动升降平台 [HW Series]
Standard Electric Lift Table



HW1001



HW2001-HW4001



- ◆ 重型设计, 可在地面或地坑中适用
- ◆ 品牌高质量泵站, 货物提升平稳有力
- ◆ 台面下方四周安全档条装置, 当台面下降遇到障碍物时立即停止, 确保安全
- ◆ 采用防夹剪叉设计, 防止夹伤, 带过载保护功能, 更安全、可靠
- ◆ 液压系统配备有防爆阀, 当油管爆裂时, 可防止平台急速下降
- ◆ 可拆卸吊环, 方便平台运输和安装
- ◆ 符合 EN1570 和 ANSI/ASME 安全标准

- Heavy duty design and can be used in above-floor or in-floor pit applications.
- High quality power unit for stable and safe lifting.
- Upper platform lifted with aluminum safety bar preventing descent on contact with obstructions.
- Safety clearance between scissors to prevent trapping and equipped with overload protection system to ensure your safe operation.
- Removable lifting eye to facilitate handling and lift table installation.
- Meet EN1570 norm and ANSI/ASME safety standard.

Model	Capacity	Lowered/Raised Height	Platform Size	Base Size	Lift Time	Power Pack	N.W
HW1001	1000	205/990	820×1300	640×1240	20-25	380V/50HZ 1.1Kw	160
HW1002	1000	205/990	1000×1600	640×1240	20-25	380V/50HZ 1.1Kw	186
HW1003	1000	240/1300	850×1700	640×1580	30-35	380V/50HZ 1.1Kw	200
HW1004	1000	240/1300	1000×1700	640×1580	30-35	380V/50HZ 1.1Kw	210
HW1005	1000	240/1300	850×2000	640×1580	30-35	380V/50HZ 1.1Kw	212
HW1006	1000	240/1300	1000×2000	640×1580	30-35	380V/50HZ 1.1Kw	223
HW2001	2000	230/1000	850×1300	785×1220	20-25	380V/50HZ AC 2.2Kw	235
HW2002	2000	230/1000	1000×1600	785×1220	20-25	380V/50HZ AC 2.2Kw	268
HW2003	2000	250/1300	850×1700	785×1600	25-35	380V/50HZ AC 2.2Kw	289
HW2004	2000	250/1300	1000×1700	785×1600	25-35	380V/50HZ AC 2.2Kw	300
HW2005	2000	250/1300	850×2000	785×1600	25-35	380V/50HZ AC 2.2Kw	300
HW2006	2000	250/1300	1000×2000	785×1600	25-35	380V/50HZ AC 2.2Kw	315
HW4001	4000	240/1050	1200×1700	900×1600	30-40	380V/50HZ AC 2.2Kw	375
HW4002	4000	240/1050	1200×2000	900×1600	30-40	380V/50HZ AC 2.2Kw	405
HW4003	4000	300/1400	1000×2000	900×2000	45-50	380V/50HZ AC 2.2Kw	470
HW4004	4000	300/1400	1200×2000	900×2000	45-50	380V/50HZ AC 2.2Kw	490
HW4005	4000	300/1400	1000×2200	900×2000	45-50	380V/50HZ AC 2.2Kw	480
HW4006	4000	300/1400	1200×2200	900×2000	45-50	380V/50HZ AC 2.2Kw	505
HW4007	4000	350/1300	1700×1500	1620×1400	35-45	380V/50HZ AC 2.2Kw	570
HW4008	4000	350/1300	2200×1800	1620×1400	35-45	380V/50HZ AC 2.2Kw	655

双剪固定电动升降平台 [HD Series] Double Scissor Lift Table
三剪固定电动升降平台 [HT Series] Triple Scissor Lift Table



HD Series



HT Series

- ◆ 重型设计, 品牌高质量泵站, 货物提升平稳有力
- ◆ 台面下方四周安全档条装置, 当台面下降遇到障碍物时立即停止, 确保安全
- ◆ 采用防夹剪叉设计, 防止夹伤, 带过载保护功能, 更安全、可靠
- ◆ 液压系统配备有防爆阀, 当油管爆裂时, 可防止平台急速下降
- ◆ 可拆卸吊环, 方便平台运输和安装
- ◆ 高提升作业, 广泛适用于仓储、物流、制造、维修等场合
- ◆ 符合 EN1570 和 ANSI/ASME 安全标准

- Heavy duty design and can be used in above-floor or in-floor pit applications.
- High quality power unit for stable and safe lifting.
- Upper platform lifted with aluminum safety bar preventing descent on contact with obstructions.
- Safety clearance between scissors to prevent trapping and equipped with overload protection system to ensure your safe operation.
- Removable lifting eye to facilitate handling and lift table installation
- The products are widely used in warehousing operation, logistics base, manufacturing and maintenance industries
- Meet EN1570 norm and ANSI/ASME safety standard.

型号 Model	HD1000	HD2000	HD4000	HT1000	HT2000
额定载重 Capacity (kg)	1000	2000	4000	1000	2000
台面尺寸 Platform Size (mm)	1300×820	1300×850	1700×1200	1700×1000	1700×1000
底座尺寸 Base Frame Size (mm)	1240×640	1220×785	1600×900	1600×1000	1606×1010
台面最低高度 Lowered Height (mm)	305	360	400	470	560
台面最高高度 Raised Height (mm)	1780	1780	2050	3000	3000
起升时间 Lift Time (s)	35-45	35-45	55-65	35-45	50-60
泵站参数 Power Pack	380V/50HZ AC 2.2Kw				
净重 Net Weight (kg)	210	295	520	450	750



大台面电动升降平台 [HW Series] Large Lift Table

- ◆ 品牌高质量泵站，货物提升平稳有力
- ◆ 水平双剪叉设计，平台结构刚性更强，使用更安全
- ◆ 台面下方四周安全档条装置，当台面下降遇到障碍物时立即停止，确保安全
- ◆ 采用防夹剪叉设计，防止夹伤，带过载保护功能，更安全、可靠，液压系统配备有防爆阀，当油管爆裂时，可防止平台急速下降
- ◆ 可拆卸吊环，方便平台运输和安装
- ◆ 符合 EN1570 和 ANSI/ASME 安全标准
- Large platform for special size material.
- High quality power unit for stable and safe lifting.
- Meet EN1570 norm and ANSI/ASME safety standard.



水平单剪叉

型号 Model	HW500L	HW501	HW502
额定载重 Capacity (kg)	500	500	500
台面尺寸 Platform Size (mm)	2000×800 (standard)	1300×600	1300×800
底座尺寸 Base Frame Size (mm)	1615×680	1210×585	1210×585
台面最低高度 Lowered Height (mm)	200	180	180
台面最高高度 Raised Height (mm)	1000	1000	1000
起升时间 Lift Time (s)	16-25	10-15	10-15
泵站参数 Power Pack	380V/50HZ AC 1.1Kw	380V/50HZ AC 0.75Kw	380V/50HZ AC 0.75Kw
净重 Net Weight (kg)	193	121	131

大台面电动升降平台 [HW · D Series] Large Lift Table



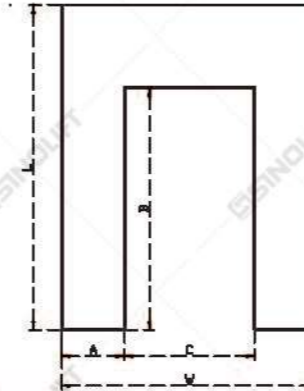
水平双剪叉

型号 Model	HW2000D	HW4000D
额定载重 Capacity (kg)	2000	4000
台面尺寸 Platform Size (mm)	2500×820	2500×850
底座尺寸 Base Frame Size (mm)	2460×640	2450×785
台面最低高度 Lowered Height (mm)	205	230
台面最高高度 Raised Height (mm)	1000	1000
起升时间 Lift Time (s)	36-46	26-36
泵站参数 Power Pack	380V/50HZ AC 1.1Kw	380V/50HZ AC 2.2Kw
净重 Net Weight (kg)	265	360

U 型超低电动升降平台 [HU Series] "U" Low Lift Table

- ◆ 品牌高质量泵站，货物提升平稳有力
- ◆ 台面下方四周安全档条装置，当台面下降遇到障碍物时立即停止，确保安全
- ◆ 采用防夹剪叉设计，防止夹伤，带过载保护功能，更安全、可靠，液压系统配备有防爆阀，当油管爆裂时，可防止平台急速下降
- ◆ U 型超低位设计，特别适用于托盘的搬运，便于与搬运车配合使用
- ◆ 可拆卸吊环，方便平台运输和安装
- ◆ 符合 EN1570 和 ANSI/ASME 安全标准

- High quality power unit for stable and safe lifting.
- U shaped table are specially for handling pallets, no need for a pit or load ramps.
- Control box with UP and DOWN buttons and emergency stop.
- Upper platform lifted with aluminum safety bar preventing descent on contact with obstructions.
- Safety clearance between scissors to prevent trapping and equipped with overload protection system to ensure your safe operation.
- Removable lifting eye to facilitate handling and lift table installation.
- Meet EN1570 norm and ANSI/ASME safety standard.



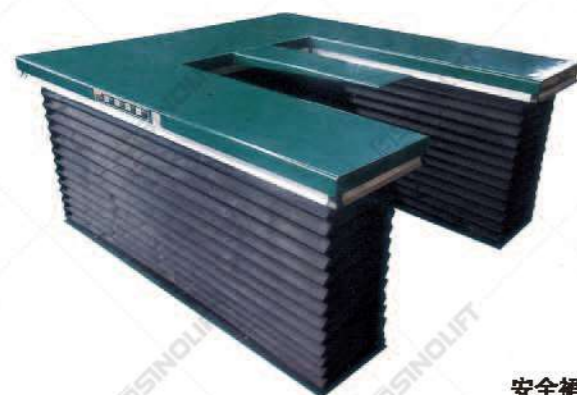
型号 Model	HU600	HU1000	HU1500	HU2000
额定载重 Capacity (kg)	600	1000	1500	2000
台面尺寸 Platform Size LxW (mm)	1450×985	1450×1140	1600×1180	1600×1180
尺寸 A (mm)	200	280	300	300
尺寸 B (mm)	1080	1080	1194	1194
尺寸 C (mm)	585	580	580	580
台面最低高度 Lowered Height (mm)	85	85	105	105
台面最高高度 Raised Height (mm)	860	860	860	860
起升时间 Lift Time (s)	25-35	25-35	30-40	30-40
泵站参数 Power Pack	380V/50HZ AC 0.75Kw	380V1.5Kw	380V2.2Kw	
净重 Net Weight (kg)	207	280	380	415



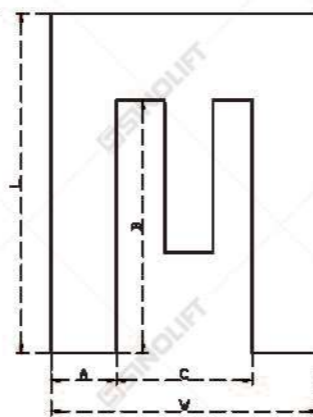
E 型超低电动平台 [HE Series] "E" Low Lift Table

- ◆ 品牌高质量泵站，货物提升平稳有力
- ◆ 台面下方四周安全档条装置，当台面下降遇到障碍物时立即停止，确保安全
- ◆ 采用防夹剪叉设计，防止夹伤，带过载保护功能，更安全、可靠，液压系统配备有防爆阀，当油管爆裂时，可防止平台急速下降
- ◆ E 型设计，方便托盘快速导入，提高作业效率
- ◆ 可拆卸吊环，方便平台运输和安装
- ◆ 符合 EN1570 和 ANSI/ASME 安全标准

- High quality power unit for stable and safe lifting.
- E shaped table are specially for handling pallets, no need for a pit or load ramps.
- Meet EN1570 norm and ANSI/ASME safety standard.



安全裙罩



型号 Model	HE1000	HE1500	HE2000
额定载重 Capacity (kg)	1000	1500	2000
台面尺寸 Platform Size (mm)	1450×1140	1600×1180	1600×1180
尺寸 A	280	300	300
尺寸 B	1080	1194	1194
尺寸 C	580	580	580
台面最低高度 Lowered Height (mm)	85	105	105
台面最高高度 Raised Height (mm)	860	860	860
起升时间 Lift Time (s)	25-35	30-40	30-40
泵站参数 Power Pack	380V/50HZ AC 0.75Kw	380V/50HZ AC 1.5Kw	380V/50HZ AC 2.2Kw
净重 Net Weight (kg)	285	390	420

超低型电动升降平台 [HY Series] Low Profile Lift Table

- ◆ 品牌高质量泵站，货物提升平稳有力
- ◆ 重型设计，大台面
- ◆ 台面下方四周安全档条装置，当台面下降遇到障碍物时立即停止，确保安全
- ◆ 采用防夹剪叉设计，防止夹伤，带过载保护功能，更安全、可靠，液压系统配备有防爆阀，当油管爆裂时，可防止平台急速下降
- ◆ 独特的低位设计与异坡板，便于与搬运车配合使用
- ◆ 符合 EN1570 和 ANSI/ASME 安全标准

- High quality power unit for stable and safe lifting.
- These tables achieve a low closed height, eliminating the need for a pit installation.
- Control box with UP and DOWN buttons and emergency stop.
- Upper platform lifted with aluminum safety bar preventing descent on contact with obstructions.
- Safety clearance between scissors to prevent trapping and equipped with overload protection system to ensure your safe operation.
- Removable lifting eye to facilitate handling and lift table installation.
- Meet EN1570 norm and ANSI/ASME safety standard.



型号 Model	额定 Capacity	台面最低/最高 Lowered / Raised Height	台面尺寸 Platform Size	底板尺寸 Base Size	起升时间 Lift Time	泵站参数 Power Pack	净重 N.W
HY1001	1000	85/860	1450×1140	1325×1074	25	380V/50HZ AC 0.75Kw	357
HY1002	1000	85/860	1600×1140	1325×1074	25	380V/50HZ AC 0.75Kw	364
HY1003	1000	85/860	1450×800	1325×734	25	380V/50HZ AC 0.75Kw	326
HY1004	1000	85/860	1600×800	1325×734	25	380V/50HZ AC 0.75Kw	332
HY1005	1000	85/860	1600×1000	1325×734	25	380V/50HZ AC 0.75Kw	352
HY1501	1500	105/870	1600×800	1325×734	30	380V/50HZ AC 1.5Kw	302
HY1502	1500	105/870	1600×1000	1325×734	30	380V/50HZ AC 1.5Kw	401
HY1503	1500	105/870	1600×1200	1325×734	30	380V/50HZ AC 1.5Kw	415
HY2001	2000	105/870	1600×1200	1427×1114	35	380V/50HZ AC 2.2Kw	419
HY2002	2000	105/870	1600×1000	1427×734	35	380V/50HZ AC 2.2Kw	405



超低型电动卸货平台 [HL Series]
Zero Level Lift Table

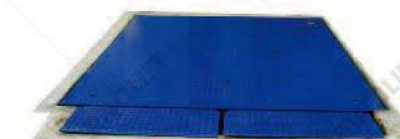


- ◆ 品牌高质量泵站，货物提升平稳有力
- ◆ 重载超低凹型台面设计，前后带有斜坡，方便货物进出
- ◆ 采用防夹剪叉设计，防止夹伤，带过载保护功能，更安全、可靠，液压系统配备有防爆阀，当油管爆裂时，可防止平台急速下降
- ◆ 适用于包装生产流水线，物流仓库等场地

- Closed height only 10mm, no ramp needed for pallet.
- Mechanical safety checks for maintenance.
- These tables achieve a super low closed height, eliminating the need for a pit installation.
- Upper platform fitted with safety perimeter to prevent descent on contact with obstructions.
- Control box with UP and DOWN buttons and emergency stop.
- External power pack equipped with a relief valve against overloading and a compensated flow valve for controlling lowering speed.
- Hose burst safety valve to stop the lift table lowering in case of hose breakage.
- Removable lifting hooks to facilitate handling and installation of the lift table.
- Meet EN1570 norm and ANSI/ASME safety standard.

型号 Model	HL500	HL750	HL1000	HL1500
额定载重 Capacity (kg)	500	750	1000	2000
台面尺寸 Platform Size (mm)	1270×1100	1270×1100	1270×1100	1270×1100
台面最低高度 Lowered Height (mm)	25	25	35	35
台面最高高度 Raised Height (mm)	800	800	800	800
起升时间 Lift Time (s)	25-30	25-30	25-30	25-30
泵站参数 Power Pack	380V/50HZ AC 0.75Kw			380V/50HZ AC 1.5Kw
净重 Net Weight (kg)	315	355	395	470

卡车专用电动升降平台 [TL5000]
Dock Lift



- ◆ 重载设计，品牌高质量泵站，货物提升平稳有力
- ◆ 适用仓库码头等工作场合
- ◆ 符合 EN1570 和 ANSI/ASME 安全标准
- Level transfer from any dock height to any truck bed height.
- Level can go all the way down to grade level.
- Meet EN1570 norm and ANSI/ASME safety standard.

型号 Model	TL5000	
额定载重 Capacity (kg)	(kg)	5000
台面尺寸 Platform Size (mm)	(mm)	3000×2000
底座尺寸 Base Frame Size (mm)	(mm)	2975×1690
台面最低高度 Lowered Height (mm)	(mm)	600
台面最高高度 Raised Height (mm)	(mm)	2630
起升时间 Lift Time (s)	(s)	70-80
泵站参数 Power Pack		380V/50HZ AC 3Kw
净重 Net Weight (kg)	(kg)	1750

卡车专用电动升降平台 [HY2500] Loading Table

- ◆ 重载设计，品牌高质量泵站，货物提升平稳有力
- ◆ 适用仓库码头等工作场合
- ◆ 符合 EN1570 和 ANSI/ASME 安全标准
- Heavy duty design.
- For loading and unloading goods between ground and containers or trucks.
- Meet EN1570 norm and ANSI/ASME safety standard.

型号 Model	HY2500	
额定载重 Capacity (kg)	(kg)	2500
台面尺寸 Platform Size (mm)	(mm)	2600×2000
底座尺寸 Base Frame Size (mm)	(mm)	2510×1900
台面最低高度 Lowered Height (mm)	(mm)	130
台面最高高度 Raised Height (mm)	(mm)	1700
起升时间 Lift Time (s)	(s)	60-70
泵站参数 Power Pack		380V/50HZ AC 2.2Kw
净重 Net Weight (kg)	(kg)	1700





弹簧式旋转圆平台 [SP2000]

Spring Actuated Level Loader

- ◆ 人机工程学设计, 堆垛操作, 省力、高效
- ◆ 弹簧组合变换使用, 适用于不同载重堆垛操作
- ◆ 结构刚性强, 使用安全、可靠
- ◆ 底座设计方便叉脚和托盘车快速搬运
- ◆ 可非标定制设计

- Ergonomics design for effective and effortless work.
- Different spring combinations apply to different load capacity.
- Strong structure for safe operation.
- Holes on the base frame are designed for easily moving and lifting.



封闭式旋转台面
Standard closed platform



开放式旋转台面
Standard open platform



封闭式不锈钢旋转台面
Stainless steel platform



型号 Model	SP500	SP1000	SP2000
额定载重 Capacity (kg)	500	1000	2000
台面尺寸 Platform Size (mm)	Φ1110	Φ1110	Φ1110
底座尺寸 Base Frame Size (mm)	915X934	915X934	915X934
台面最低高度 Lowered Height (mm)	240	240	240
台面最高高度 Raised Height (mm)	705	705	705

电动升降旋转圆平台[ESP1000/ESP2000]

Electric Circular Rotating Lift Table

- ◆ 人机工程学设计, 堆垛操作, 省力、高效
- ◆ 圆形 360° 旋转平台, 使操作更加轻便
- ◆ 高质量泵站和防爆阀设计, 使平台操作更安全可靠
- ◆ 底座设计使平台可快速搬运
- ◆ 脚踏开关和多种控制方式, 操作方便灵活, 适应特需使用

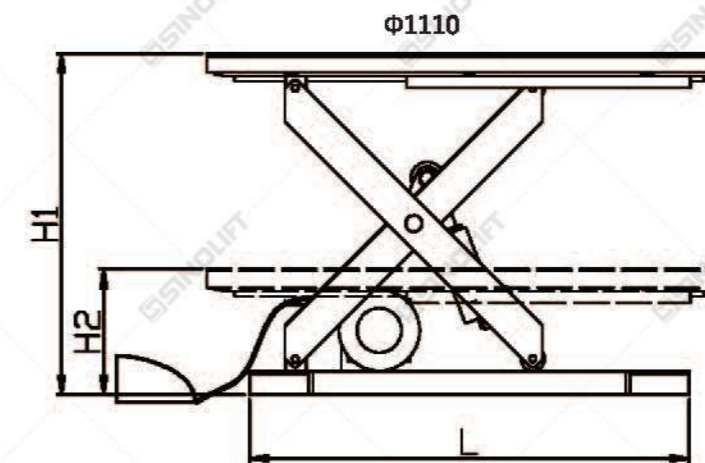
- Ergonomics design for effective and effortless work.
- Circular rotating table for easier operation.
- Equipped with high quality power unit and anti-explosion valve.
- Holes on the base frame are designed for easily moving and lifting.



ESP1000



ESP2000



型号 Model	ESP1000	ESP1000A	ESP2000
额定载重 Capacity (kg)	1000	1000	2000
台面尺寸 Platform Size (mm)	Φ1110	Φ1110	Φ1110
底座尺寸 Base Frame Size (mm)	920X930	920X930	920X930
台面最低高度 H2 Lowered Height (mm)	300	130	300
台面最高高度 H1 Raised Height (mm)	710	390	710
泵站参数 Power Pack	380V/50HZ AC 0.75Kw	380V/50HZ AC 1.1Kw	380V/50HZ AC 2.2Kw
净重 (kg)	163	215	175



非标定制电动升降平台
Non-standard Lift Table



弹簧平台+安全裙罩
SP2000 with dust cover



方台面弹簧平台+安全裙罩
SP2000 with dust cover and square shaped platform



电动升降圆平台+安全裙罩
ESP1000/ESP2000 with dust cover



电动升降平台 HW(HIW) 系列 +安全裙罩
HW Series with dust cover



移动式电动升降平台
Mobile electric lift table



电动旋转工作平台
Electric rotating table



移动电动升降平台
Mobile electric lift table



镀锌滚筒电动平台
Galvanized roller lift table



侧向双剪电动平台
Side direction double scissor lift table



旋转平台
Rotating table



不锈钢电动平台(304)
Stainless steel electric lift table



不锈钢双剪电动平台(304)
Stainless steel double scissor electric lift table



自行车式电动平台车 (双剪)
Self-Propelled Lift Table
载重 Cap.:500-800kg
升高 Lifting height:460-1850mm



自行车式电动平台车 (单剪)
Self-Propelled Lift Table
载重 Cap.:500-800kg
升高 Lifting height:460-1050mm



滚筒附件平台车
Roller Platform Lift Table Truck



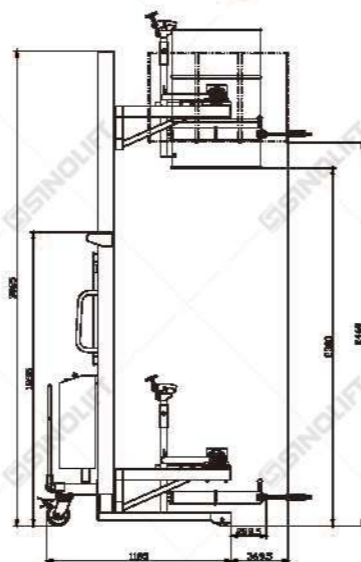
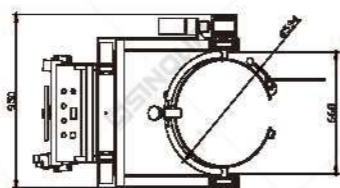
电动平台车
Electric Lift Table Truck



双门架式电动油桶翻转车

DA45ED (Double -mast Electric Drum Tilter)

- ◆ 高强度 C 型钢双门架结构，安全，稳固
- ◆ 高品质泵站，免维护电池，外置式充电器，可靠、耐用
- ◆ 抱箍式和叼扣式一体，适合钢制油桶和塑料油桶
- Strong rigidity, safety and reliable.
- High quality power unit, free maintenance battery and build-out charger with strong power and durability.
- Combination of eagle-grip and anchor ear structure which is suitable for both plastic and steel drums.
- Easy operation and save labor.



型号 Model	DA45 ED
载重 Capacity (kg)	450
提升高度 Lifting Height (mm)	2300
提升速度 Lifting Speed (mm/s)	62 mm/s
电池 Battery (Ah/v)	100 Ah/12V
泵站 Power Unit (Kw)	1.5
支腿内宽 Leg Inner Width (mm)	680
轮子 Wheels (mm)	Φ80(Φ150)
外型尺寸 Overall Size (mm)	1200×960×1885
净重 Net Weight (kg)	309

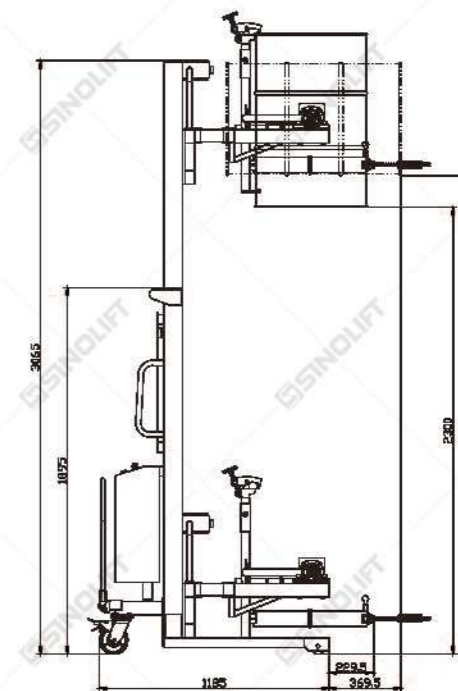
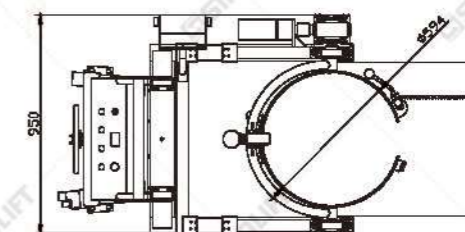
双门架电动称重油桶翻转车

DA45EDS (Double-mast Electric Drum Tilter with Scale)

- ◆ 高强度 C 型钢双门架结构，安全，稳固
- ◆ 高品质泵站，免维护电池，外置式充电器，可靠、耐用
- ◆ 抱箍式和叼扣式一体，适合钢制油桶和塑料油桶
- ◆ 高品质显示仪表，有去皮、置零等称重功能，打印功能可选，精度千分之三
- Strong rigidity, safety and reliable.
- High quality power unit, free maintenance battery and build-out charger with strong power and durability.
- Combination of eagle-grip and anchor ear structure which is suitable for both plastic and steel drums.
- Easy operation and save labor.



显示仪



型号 Model	DA45EDS
载重 Capacity (kg)	450
提升高度 Lifting Height (mm)	2300
提升速度 Lifting Speed (mm/s)	62 mm/s
电池 Battery (Ah/v)	100 Ah/12V
泵站 Power Unit (Kw)	1.5
支腿内宽 Leg Inner Width (mm)	680
轮子 Wheels (mm)	Φ80(Φ150)
外型尺寸 Overall Size (mm)	1200×960×1885
净重 Net Weight (kg)	320

多功能油桶翻转车

DA45M(Multi-function Drum Tilter)

DA45MS (Multi-function Drum Tilter with Scale)

- ◆ 高强度c型钢双门架结构, 安全, 稳固
- ◆ 抱箍式和网扣式一体, 适合钢制油桶和塑料油桶
- ◆ 可增加称重功能, 精度可达千分之三
- Strong rigidity, safety and reliable.
- Combination of eagle-grip and anchor ear structure which is suitable for both plastic and steel drums.
- Easy operation and save labor.
- Optional weighing function could be added to control pouring and measure capabilities & Weighing accuracy range: ± 3%.



DA45MS(称重)



DA45M



DA45M



DA45M

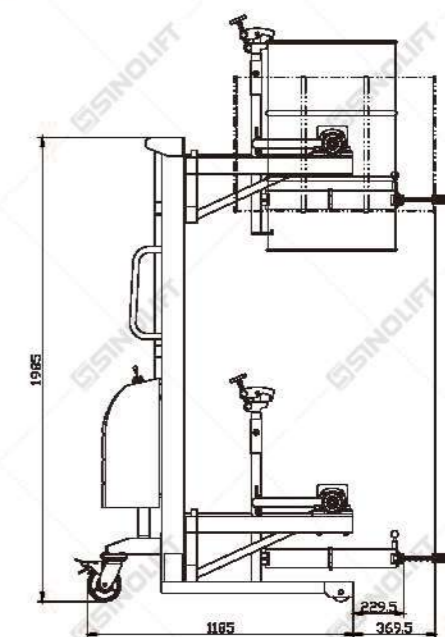
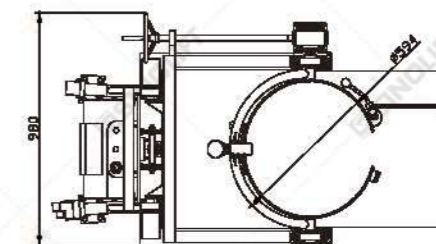
型号 Model		DA45M	DA45MS
载重 Capacity	(kg)	450	450
提升高度 Lifting Height	(mm)	1500	1500
支腿内宽 Leg Inner Width	(mm)	680	680
轮子 Wheels	(mm)	Φ 150/ Φ 150	Φ 150/ Φ 150
外型尺寸 Overall Size	(mm)	1230×980×2000	1230×980×2000
净重 Net Weight	(kg)	182	194

半电动油桶翻转车

DA52EM(Semi-electric Drum Tilter)

型号 Model		DA52EM
载重 Capacity	(kg)	520
提升高度 Lifting Height	(mm)	1500
提升速度 Lifting Speed	(mm/s)	50 mm/s
电池 Battery	(Ah/V)	80 Ah/12V
泵站 Power Unit	(Kw)	1.2
支腿内宽 Leg Inner Width	(mm)	680
轮子 Wheels	(mm)	Φ80(Φ150)
外型尺寸 Overall Size	(mm)	1200×960×1985
净重 Net Weight	(kg)	212

- ◆ 高强度c型钢双门架结构, 安全, 稳固
- ◆ 高品质泵站, 免维护电池, 内置式充电器, 可靠, 耐用
- ◆ 抱箍式和网扣式一体, 适合钢制油桶和塑料油桶
- Strong rigidity, safety and reliable.
- High quality power unit, free maintenance battery and build-in charger with strong power and durability.
- Combination of eagle-grip and anchor ear structure which is suitable for both plastic and steel drums.
- Easy operation and save labor.





半电动称重 油桶翻转车

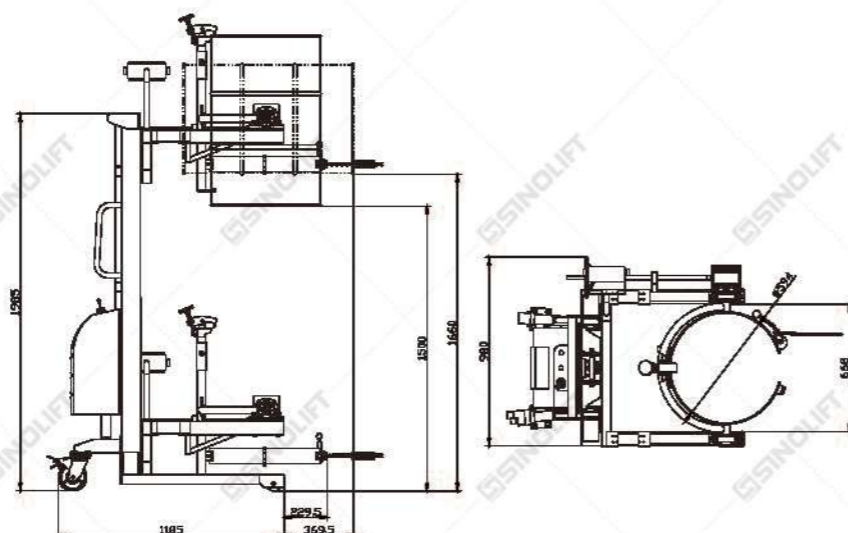
DA52EMS(Semi -electric Drum Tilter with Scale)

- ◆ 高强度 C 型钢双门架结构, 安全, 稳固
- ◆ 高品质泵站, 免维护电池, 内置式充电器, 可靠、耐用
- ◆ 抱箍式和呲扣式一体, 适合钢制油桶和塑料油桶
- ◆ 高品质显示仪表, 有去皮、置零等功能, 打印功能可选, 精度千分之三
- Strong rigidity, safety and reliable.
- High quality power unit, free maintenance battery and build-in charger with strong power and durability.
- Combination of eagle-grip and anchor ear structure which is suitable for both plastic and steel drums.
- Optional weighing function to control pouring and measure capabilities & Weighing accuracy range: ± 3%.
- Easy operation and save labor.

型号 Model		DA52EMS
载重 Capacity	(kg)	520
提升高度 Lifting Height	(mm)	1500
提升速度 Lifting Speed	(mm/s)	50mm/s
电池 Battery	(Ah/v)	80Ah/12V
泵站 Power Unit	(Kw)	1.2
支腿内宽 Leg Inner Width	(mm)	680
轮子 Wheels	(mm)	Φ80(Φ150)
外型尺寸 Overall Size	(mm)	1200×960×1985
净重 Net Weight	(kg)	212



DA52EMS (称重)



双电动 油桶翻转车

DA52E(Electric Drum Tilter)

DA52ES(Electric Drum Tilter with Scale)

- ◆ 高强度 C 型钢双门架结构, 安全, 稳固
- ◆ 高品质泵站, 免维护电池, 内置式充电器, 可靠、耐用
- ◆ 抱箍式和呲扣式一体, 适合钢制油桶和塑料油桶
- ◆ 电动提升、电动翻转, 高效省力
- ◆ 可增加称重功能, 精度达千分之三
- Strong rigidity, safety and reliable.
- High quality power unit, free maintenance battery and build-in charger with strong power and durability.
- Combination of eagle-grip and anchor ear structure which is suitable for both plastic and steel drums.
- Optional weighing function could be added to control pouring and measure capabilities & Weighing accuracy range: ± 3%.
- Easy operation , efficient and save labor.



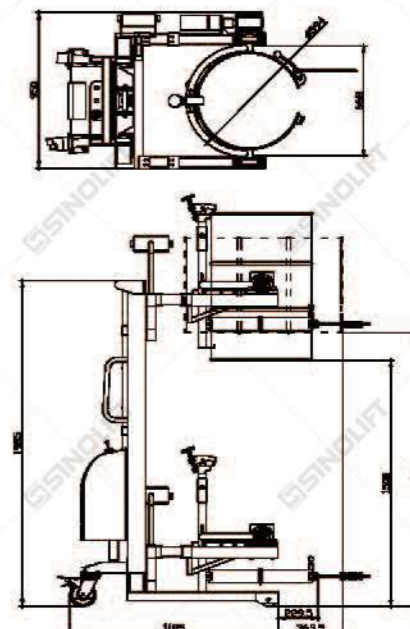
DA52E



DA52E



DA52ES (称重)



型号 Model		DA52E	DA52ES
载重 Capacity	(kg)	520	520
提升高度 Lifting Height	(mm)	1500	1500
提升速度 Lifting Speed	(mm/s)	50mm/s	50mm/s
电池 Battery	(Ah/v)	80Ah/12V	80Ah/12V
泵站 Power Unit	(Kw)	1.2	1.2
支腿内宽 Leg Inner Width	(mm)	680	680
轮子 Wheels	(mm)	Φ80(Φ150)	Φ80(Φ150)
外型尺寸 Overall Size	(mm)	1200×960×1985	1200×960×1985
净重 Net Weight	(kg)	211	222



卷膜搬运车

Hydraulic Roll and Reel Work Positioner Lifter (Rubber Roller)

- ◆ 专为提升、搬运圆柱形卷膜设计
- ◆ 性能优异，操作简便、安全
- ◆ 多种胶辊变化和附件选配，适用于印刷、软包、医药、电子、化工等行业

- Design for the transportation of cylindrical objects.
- Excellent performance and easy operation.
- Different roller making it widely apply to printing, packing, medical industries.



前轮万向 (可侧移)



镀锌/不锈钢滚筒



前轮固定

型号 Model	前轮固定 Fixed Front Wheel	PFG4085	PFG4120	PFG4150
	前轮万向 Universal Front Wheel	PFG4085(W)	PFG4120(W)	PFG4150(W)
额定载重 Capacity	(kg)	400	400	400
最高高度 Max Height	(mm)	870	1200	1500
最低高度 Min Height	(mm)	180/220	180/220	180/220
支腿高度 (固定轮) Leg Height(Fixed wheel)	(mm)	80	80	80
支腿高度 (万向轮) Leg Height(Universal wheel)	(mm)	120	120	120
胶辊尺寸 Roller Size	(mm)	Φ76×550	Φ76×550	Φ76×550
胶辊长度 Roller Length	(mm)	550~(800)	550~(800)	550~(800)
胶辊中心距 Roller Center Length	(mm)	180(240)	180(240)	180(240)
外型尺寸 Overall Size	(mm)	780×630×1070	780×630×1420	780×630×1720
前轮直径 Front Wheel Diameter	(mm)	Φ75	Φ75	Φ75
后轮直径 Back Wheel Diameter	(mm)	Φ125/Φ150	Φ125/Φ150	Φ125/Φ150
净重 Net Weight	(kg)	72	78	85
适合卷膜尺寸 Φ×L	(mm)	Φ300-Φ600 × 1200		

电动卷膜搬运车

Electric Roll and Reel Work Positioner Lifter (Rubber Roller)

- ◆ 专为提升、搬运圆柱形物料、工件设计，性能优异，操作简便、安全
- ◆ 高品质电动泵站，内置免维护电池，提升高效、省力
- ◆ 多种胶辊变化和附件选配，适用于印刷、软包、医药、电子、化工等行业

- Design for the transportation of cylindrical objects.
- Excellent performance and easy operation.
- High quality power unit, free maintenance battery and build-in charger with strong power and durability.
- Different roller choice making it widely apply to printing, packing, medical industries.



型号 Model	前轮固定 Fixed Front Wheel	PFG4085E	PFG4120E	PFG4150E
	前轮万向 Universal Front Wheel	PFG4085WE	PFG4120WE	PFG4150WE
额定载重 Capacity	(kg)	400	400	400
最高高度 Max Height	(mm)	870	1200	1500
最低高度 Min Height	(mm)	180/220	180/220	180/220
支腿高度 (固定轮) Leg Height(Fixed wheel)	(mm)	80	80	80
支腿高度 (万向轮) Leg Height(Universal wheel)(mm)	(mm)	120	120	120
胶辊直径 Roller Size	(mm)	Φ76	Φ76	Φ76
胶辊长度 Roller Length	(mm)	550~(800)	550~(800)	550~(800)
胶辊中心距 Roller Center Length	(mm)	180(240)	180(240)	180(240)
外型尺寸 Overall Size	(mm)	780×630×1070	780×630×1420	780×630×1720
前轮直径 Front Wheel Diameter	(mm)	Φ75	Φ75	Φ75
后轮直径 Back Wheel Diameter	(mm)	Φ125	Φ125	Φ125
泵站功率 Power Pack	(v/w)	12V/800W	12V/800W	12V/800W
电池 Battery	(Ah)	12V/60Ah	12V/60Ah	12V/60Ah
净重 Net Weight	(kg)	72	78	85
适合卷膜尺寸 Φ×L	(mm)	Φ300-Φ600 × 1200		



400/600 公斤卷膜搬运车系列
400/600 KG Roll and Reel Work Positioner Lifter Series

- ◆ 专为提升、搬运圆柱形物料设计
- ◆ 高强度 C 型钢双门架结构，安全，稳固
- ◆ 高载重油缸，提升稳定，轻便
- ◆ 高品质泵站，免维护电池，可靠、耐用
- ◆ 可根据客户要求定制
- ◆ 多种胶辊变化和附件选配，适用于印刷、软包、医药、电子、化工等行业

- Design for the transportation of cylindrical objects.
- Strong rigidity, safety and reliable.
- High quality power unit, free maintenance battery and build-in charger with strong power and durability.
- Different optional platform making it widely apply to printing, packing, medical industries.
- Could be custom-made.



PFG6150 手动型



PFG6150E 电动型

型号 Model		PFG4150/PFG6150	PFG4150E/PFG6150E
额定载重 Capacity	(kg)	400 / 600	400 / 600
最高高度 Max Height	(mm)	850/1200/1500	850/1200/1500
最低高度 Min Height	(mm)	150	150
支腿高度 (固定轮) Leg Height(Fixed wheel)	(mm)	90	90
支腿高度 (万向轮) Leg Height(Universal wheel)(mm)		150	150
适合卷膜尺寸 Roll Size	(mm)	Φ300~Φ800×1600	Φ300~Φ800×1600
泵站 Power Pack	(V/Kw)		12V 0.8Kw / 12V 1.2Kw
电池 Battery	(Ah)		12V 60Ah / 12V 80Ah
前轮直径 Front Wheel Diameter	(mm)	Φ80 (Φ100 万向)	Φ80 (Φ100 万向)
后轮直径 Back Wheel Diameter	(mm)	Φ150	Φ150

800/1000公斤 卷膜搬运车
800/1000KG Roll and Reel Work Positioner Lifter Series

- ◆ 专为提升、搬运圆柱形物料设计
- ◆ 高强度 C 型钢双门架结构，安全，稳固
- ◆ 高载重油缸，提升稳定，轻便
- ◆ 高品质泵站，免维护电池，可靠、耐用
- ◆ 可根据客户要求定制
- ◆ 多种胶辊变化和附件选配，适用于印刷、软包、医药、电子、化工等行业

- Design for the transportation of cylindrical objects.
- Strong rigidity, safety and reliable.
- High quality power unit, free maintenance battery and build-in charger with strong power and durability.
- Could be custom-made.



CTY1000-M700



CTD1000-M700



PFG 1085(镀锌滚筒)



PFG 1085



PFG 1085E

型号 Model		PFG1085	PFG1085E	CTY1000-M700	CTD1000-M700
额定载重 Capacity	(kg)	1000	1000	1000	1000
最高高度 Max Height	(mm)	865 (1040)	865 (1040)	865	865
最低高度 Min Height	(mm)	150 (240)	150 (240)	150	150
适合卷膜尺寸 Roll Size	(mm)	Φ800×1600	Φ800×1600	Φ800×1600	Φ800×1600
泵站 Power Pack	(V/Kw)		12V 1.5Kw		12V 1.5Kw
电池 Battery	(Ah)		100 Ah		100 Ah
前轮直径 Front Wheel Diameter	(mm)	Φ80 (Φ100 万向)	Φ80 (Φ100 万向)	Φ80	Φ80
后轮直径 Back Wheel Diameter	(mm)	Φ150	Φ150	Φ150	Φ150
适合卷膜尺寸 Φ×L	(mm)	Φ800-Φ1000 × 1600			



非标圆形物料搬运车系列(适合300KG/Φ300-Φ600/1200)
Custom-made Roll and Reel Work Positioner Lifter

非标卷膜搬运车系列
Custom-made Roll and Reel Work Positioner Lifter



可伸缩旋转圆托盘



平衡重式可旋转圆托盘



平衡重式双杆叉车



U型槽托架



V型专用托盘



链条吊钩



可旋转圆弧托盘



专用吊带



圆弧托盘



不锈钢专用托盘



可调超宽货叉



单柱式滚轮单杆叉



专用防护圆托盘



超长棒料专用托盘



涨紧式旋转器



高级滚轮单轴



三角型专用货叉



单叉杆



全电动平台车

- 直流驱动电机，技术成熟
- 具有坡道制动、坡道控速等功能

DC drive motor, mature technology
With ramp brake, ramp speed control and other functions



操控手柄 / Joystick



指示面板 / Indicator panel



- 可定制防尘罩/转盘/不锈钢/辊筒/倾斜平台/镀锌/多剪叉等。
Dust Cover, Rotary Round Table, Stainless Table, Roller Table, Tilting Table, Galvanized Table, More Scissors For Your Option.

产品参数 Specification

型号/Model		EMT1000S	EMT1500	EMT2000
驾驶方式 / Driving Mode		步行/Walk	步行/Walk	步行/Walk
额定载重量 / Load Capacity	kg	1000	1500	2000
最低高度 / Min. Height	mm	460	400	450
最高高度 / Max. Height	mm	1500	1000	1000
工作台尺寸 / Table Dimension	mm	1000*600*60	1200*800*80	1500*1000*80
电瓶电压 / Voltage	V	24	24	24
电瓶容量 / Battery	Ah	60	80	80
起升电机 / Lifting Motor	W	800	1600	1600
驱动电机 / Power	V/W	DC 24V/750W	AC 24V/1500W	AC 24V/1500W
驱动轮直径 / Dia. of the Wheel	mm	Φ210	Φ250	Φ250

全电动平台车

- 电动行走，电动升降，省力便捷
- 节省劳动力，提高工作效率
- 结构坚固，高质量液压缸，使用寿命长

Electric walking, electric lifting, labor-saving and convenient.
Save labor and improve work efficiency.
Sturdy structure, high quality hydraulic cylinder, long service life.



电动机 / Electric motor



操控手柄 / Joystick

转弯半径小
Smaller
Turning Radius

装柜体积小
Smaller
Packing Size for
Shipment



- 可定制防尘罩/转盘/不锈钢/辊筒/倾斜平台/镀锌/多剪叉等。
Dust Cover, Rotary Round Table, Stainless Table, Roller Table, Tilting Table, Galvanized Table, More Scissors For Your Option.

产品参数 Specification

型号/Model		EMP1000S	EMP1500	EMP2000
驾驶方式 / Driving Mode		步行/Walk	步行/Walk	步行/Walk
额定载重量 / Load Capacity	kg	1000	1500	2000
最低高度 / Min. Height	mm	460	400	450
最高高度 / Max. Height	mm	1500	1000	1000
工作台尺寸 / Table Dimension	mm	1000*600*60	1200*800*80	1500*1000*80
电瓶电压 / Voltage	V	24	24	24
电瓶容量 / Battery	Ah	60	80	80
起升电机 / Lifting Motor	W	800	1600	1600
驱动电机 / Power	V/W	DC 24V/750W	AC 24V/1500W	AC 24V/1500W
驱动轮直径 / Dia. of the Wheel	mm	Φ210	Φ250	Φ250



全电动平台车

- 两轮差速驱动，转向灵活
- 大容量免维护蓄电池

Two-wheel differential drive, flexible steering
Large-capacity maintenance-free battery



EPT400S



EPT400

- 可定制防尘罩/转盘/不锈钢/辊筒/倾斜平台/镀锌/多剪叉等。
Dust Cover, Rotary Round Table, Stainless Table, Roller Table, Tilting Table, Galvanized Table, More Scissors For Your Option.



操控手柄 / Joystick



指示面板 / Indicator panel

产品参数 Specification

型号/Model		EPT400S	EPT400
驾驶方式 / Driving Mode		步行/Walk	步行/Walk
额定载重量 / Load Capacity	kg	400	400
最低高度 / Min. Height	mm	460	390
最高高度 / Max. Height	mm	1500	950
工作台尺寸 / Table Dimension	mm	1100*600	1100*600
电瓶电压 / Voltage	V	24	24
电瓶容量 / Battery	Ah	60	60
起升电机 / Lifting Motor	W	800	800
驱动电机 / Power	V/W	24V/400W	24V/400W
驱动轮直径 / Dia. of the Wheel	mm	Φ200	Φ200

越野电动平台车

- 适用于野外及路面不平的场地
- 电动行走和升降，省时省力，提高工作效率

Suitable for the field and uneven sites
Electric walking and lifting, saving time and effort, improving work efficiency.



- 可定制防尘罩/转盘/不锈钢/辊筒/倾斜平台/镀锌/多剪叉等。
Dust Cover, Rotary Round Table, Stainless Table, Roller Table, Tilting Table, Galvanized Table, More Scissors For Your Option.



万向轮 / Universal wheel



升降按键 / Joystick

产品参数 Specification

型号/Model		EMTR150	EMTR250
额定载重量 / Load Capacity	kg	1500	2500
最低高度 / Min. Height	mm	500	550
最高高度 / Max. Height	mm	1200	2000
平台尺寸 / Table Dimension	mm	3200*1200	3200*1200
平台侧移距离 / Table Side Movement	mm	300	300
起升电机 / Lifting Motor	W	1600	2000
蓄电池 / Storage Battery	V/Ah	48/80	48/80
驱动电机 / Power	V/W	24V/1200W	24V/1200W
驱动轮直径 / Dia. of the Wheel	mm	Φ300	Φ300



电动推杆平台车

- 无漏油，无液压提升
- 最大启动频率为每分钟10次
- 内置充电器，结构紧凑，节省空间
- 配有4个旋转静音脚轮，低噪音操作

No oil leaks. No hydraulic lift.
Built-in charger. Compact, space-saving.
Maximum starting frequency 10 times per minute.
Built-in charger. Compact, space-saving.
With 4 swivel mute casters, Quiet operation.



LAS
• 双剪叉
Double Scissor



LA
• 单剪叉
Single Scissor



型号/Model		LA250	LAS100	LAS150
额定载重 / Capacity	kg	250	100	150
台面尺寸 / Table Size	mm	800*500/910*610	800*500/910*610	800*500/910*610
台面最小/最大高度 / Min./Max. Table Height	mm	355/830	410/1280	410/1280
蓄电池 / Battery		24DC-12Ah	24DC-12Ah	24DC-12Ah
提升时间(空载) / Lifting Time without Load	s	30-34	28-32	36-40
下降时间(空载) / Lowering Time without load	s	30-34	24-28	34-38
提升时间(满载) / Lifting Time with Rates Load	s	45-49	36-40	57-61
下降时间(满载) / Lowering Time with Rates Load	s	30-34	24-28	34-38
最大工作电流 / Max. Working Current		5.5A	6A	8A
充电器 / Charger		24V-DC-2A	24V-DC-2A	24V-DC-2A
整车尺寸 / Overall Dimension	mm	890*500*992/1000*610*992	890*500*992/1000*610*992	890*500*992/1000*610*992
自重 / Net Weight	kg	64/67	79/82	80/83

自起升平台车

- 自起升降平台体积小，灵活性高
- 装卸方便，提高工作效率
- 可根据需求定制

Self lifting table has small size, high flexibility.
Convenient loading and unloading, maximizes the work efficiency.
Can customize.



产品参数 Specification

型号/Model		DP-I
额定载重量 / Load Capacity	kg	200
最低高度 / Min. Height	mm	210
最高高度 / Max. Height	mm	1050
装载高度 / Loading Height	mm	850
平台尺寸 / Table Dimension	mm	1250*700
平台移动距离 / Table Movement Distance	mm	1250
起升电机 / Lifting Motor	Kw/V	0.4/48



半电动平台车

- 可定制防尘罩/转盘/不锈钢/辊筒/倾斜平台/镀锌/多剪叉等。
Dust Cover, Rotary Round Table, Stainless Table, Roller Table, Tilting Table, Galvanized Table, More Scissors For Your Option.



DP



DPS

产品参数 Specification

型号/Model		DP300/DPS350	DP500/DPS500	DP800/DPS800	DP1000/DPS1000
额定载重量 / Load Capacity	kg	300/350	500	800	1000
最低高度 / Min. Height	mm	280/360	280/360	380/450	380/500
最高高度 / Max. Height	mm	900/1500	900/1500	1000/1700	1000/1700
工作台尺寸 / Table Dimension	mm	950*500*55/905*500*55	950*500*55/905*500*55	1200*610*80	1200*610*80
轮子直径 / Dia.of the wheel	mm	Φ125	Φ125	Φ150	Φ150
电压 / Voltage	V	12	12	12	12
功率 / Power	Kw	0.8	0.8	0.8	0.8/1.1
蓄电池 / Storage Battery	Ah	60	60	80	80
充电器输入电压 / Charger Input Voltage	V	220 (110)	220 (110)	220 (110)	220 (110)
自重 / Net Weight	kg	110/140	110/160	150/290	150/290



ETA



ETAS

产品参数 Specification

型号/Model		ETA30	ETA50	ETAS30	ETAS50
额定载重量/Load Capacity	kg	300	500	300	500
最低高度/Min. Height	mm	450	450	500	500
最高高度/Max. Height	mm	950	950	1600	1600
工作台尺寸/Table Dimension	mm	1010*520*55	1010*520*55	1010*520*55	1010*520*55
轮子直径/Dia.of the wheel	mm	Φ125	Φ125	Φ125	Φ125
电压/Voltage	V	12	12	12	12
功率/Power	Kw	0.8	0.8	0.8	0.8
蓄电池/Storage Battery	Ah	60	60	60	60
充电器输入电压/Charger Input Voltage	V	220/110	220/110	220/110	220/110

刚性链升降平台

最大可定制100吨
Up to 100 tons can be customized

- 最高使用寿命可达200万次升降
- 重复定位精度可达1mm
- 柔性传动链技术，更高的传动效率，更少的动力要求
- 无需定期润滑，无油液污染
- 零件少，维修快捷，低噪音运行
- 平台尺寸、载重、行程、最低高度可根据要求定制

Max. service life of 2 million times lifting.
Repetitive stop accuracy up to 1mm.
Flexible drive chain technology with higher efficiency and less power requirements.
No need for regular lubrication, no oil pollution.
Fewer parts, fast maintenance. Low noise operation.
Table dimension, load capacity, travel and min. height can be customized as per request.



- 可定制防尘罩/转盘/不锈钢/辊筒/倾斜平台/镀锌/多剪叉等。
Dust Cover, Rotary Round Table, Stainless Table, Roller Table, Tilting Table, Galvanized Table, More Scissors For Your Option.

产品参数 Specification

型号/Model		DGC
最大载重量 / Load Capacity	kg	10000
最低高度 / Min. Height	mm	350
最大行程 / Max. Height	mm	10000
平台尺寸 / Table Dimension	mm	可定制/Customized
升降速度 / Lifting Speed	mm/s	0-300
产品材质 / Product Material		锰钢/Mn steel



手动平台车

型号/Model		PT150Z	PT300Z	PT500Z
额定载重量 / Load Capacity	kg	150	300	500
最低高度 / Min. Height	mm	210	280	280
最高高度 / Max. Height	mm	720	900	900
工作台尺寸 / Table Dimension	mm	700*450*35	815*500*50	815*500*50
轮子直径 / Dia.of the wheel	mm	Φ100	Φ125	Φ125
自重 / Net Weight	kg	42	74	77
外包装尺寸 / Packing Dimensions	mm	820*470*230	900*510*310	900*510*310
20尺集装箱装箱数 / TEU QTY	PCS	192	144	144

备注：整体泵，单剪叉，可折叠手柄平台车。
Note: Unit Pump, Single Scissor, Folded Handle Lift Tables.



● 可定制防尘罩/转盘/不锈钢/辊筒/倾斜平台/镀锌/多剪叉等。
Dust Cover, Rotary Round Table, Stainless Table, Roller Table, Tilting Table, Galvanized Table, More Scissors For Your Option.

型号/Model		PT150A	PT300A	PT500A
额定载重量 / Load Capacity	kg	150	300	500
最低高度 / Min. Height	mm	210	280	280
最高高度 / Max. Height	mm	720	900	900
工作台尺寸 / Table Dimension	mm	700*450*35	815*500*50	815*500*50
轮子直径 / Dia.of the wheel	mm	Φ100	Φ125	Φ125
自重 / Net Weight	kg	40	70	74
外包装尺寸 / Packing Dimensions	mm	820*470*230	900*510*310	900*510*310
20尺集装箱装箱数 / TEU QTY	PCS	192	144	144

备注：整体泵，单剪叉平台车。
Note: Unit Pump, Single Scissor Lift Tables.



● 可定制防尘罩/转盘/不锈钢/辊筒/倾斜平台/镀锌/多剪叉等。
Dust Cover, Rotary Round Table, Stainless Table, Roller Table, Tilting Table, Galvanized Table, More Scissors For Your Option.

手动平台车

● 可定制防尘罩/转盘/不锈钢/辊筒/倾斜平台/镀锌/多剪叉等。
Dust Cover, Rotary Round Table, Stainless Table, Roller Table, Tilting Table, Galvanized Table, More Scissors For Your Option.

型号/Model		PT300B	PT500B
额定载重量 / Load Capacity	kg	300	500
最低高度 / Min. Height	mm	280	280
最高高度 / Max. Height	mm	900	900
工作台尺寸 / Table Dimension	mm	815*500*50	815*500*50
轮子直径 / Dia.of the wheel	mm	Φ125	Φ125
自重 / Net Weight	kg	72	77
外包装尺寸 / Packing Dimensions	mm	900*510*310	900*510*310
20尺集装箱装箱数 / TEU QTY	PCS	144	144

备注：整体泵，单剪叉平台车。
Note: Unit Pump, Single Scissor Lift Tables.



型号/Model		PT800A	PT1000A
额定载重量 / Load Capacity	kg	800	1000
最低高度 / Min. Height	mm	415	415
最高高度 / Max. Height	mm	1000	1000
工作台尺寸 / Table Dimension	mm	1016*510*60	1016*510*60
轮子直径 / Dia.of the wheel	mm	Φ150	Φ150
自重 / Net Weight	kg	104	104
外包装尺寸 / Packing Dimensions	mm	1160*610*425	1160*610*425
20尺集装箱装箱数 / TEU QTY	PCS	80	80

备注：整体泵，单剪叉平台车。
Note: Unit Pump, Single Scissor Lift Tables.



型号/Model		PT800B	PT1000B
额定载重量 / Load Capacity	kg	800	1000
最低高度 / Min. Height	mm	415	415
最高高度 / Max. Height	mm	1000	1000
工作台尺寸 / Table Dimension	mm	1016*510*60	1016*510*60
轮子直径 / Dia.of the wheel	mm	Φ150	Φ150
自重 / Net Weight	kg	104	104
外包装尺寸 / Packing Dimensions	mm	1140*570*425	1140*570*425
20尺集装箱装箱数 / TEU QTY	PCS	80	80

备注：整体泵，单剪叉平台车。
Note: Unit Pump, Single Scissor Lift Tables.





手动平台车

- 可定制防尘罩/转盘/不锈钢/辊筒/倾斜平台/镀锌/多剪刀等。
Dust Cover, Rotary Round Table, Stainless Table, Roller Table, Tilting Table, Galvanized Table, More Scissors For Your Option.

型号/Model		PTD500
额定载重量 / Load Capacity	kg	500
最低高度 / Min. Height	mm	280
最高高度 / Max. Height	mm	900
工作台尺寸 / Table Dimension	mm	1600*800*50
轮子直径 / Dia.of the wheel	mm	Φ125
自重 / Net Weight	kg	170
外包装尺寸 / Packing Dimensions	mm	1680*800*300

备注：整体泵，单剪叉平台车。
Note: Unit Pump, Single Scissor Lift Tables.



型号/Model		PTD1000	PTD1500	PTD2000
额定载重量 / Load Capacity	kg	1000	1500	2000
最低高度 / Min. Height	mm	380	380	380
最高高度 / Max. Height	mm	1000	1000	1000
工作台尺寸 / Table Dimension	mm	1200*610*80	1200*610*80	1200*610*80
轮子直径 / Dia.of the wheel	mm	Φ150	Φ150	Φ150
自重 / Net Weight	kg	161	177	177
外包装尺寸 / Packing Dimensions	mm	1370*620*390	1370*620*390	1370*620*390
20尺集装箱装箱数 / TEU QTY	PCS	65	65	65

备注：分体泵，双油缸，脚踏泄压，单剪式平台车。
Note: Split Pump, Double Cylinder, Single Scissor Lift Tables.



型号/Model		PTS150	PTS350A	PTS350AA	PTDS350A
额定载重量 / Load Capacity	kg	150	350	350	350
最低高度 / Min. Height	mm	302	360	360	360
最高高度 / Max. Height	mm	1260	1300	1500	1580
工作台尺寸 / Table Dimension	mm	700*450*35	905*500*50	905*500*50	900*700*50
轮子直径 / Dia.of the wheel	mm	Φ100	Φ125	Φ125	Φ125
自重 / Net Weight	kg	51	99	99	108
外包装尺寸 / Packing Dimensions	mm	820*470*325	1010*520*380	1010*520*380	1010*720*380
20尺集装箱装箱数 / TEU QTY	PCS	144	100	100	70

备注：整体泵，双剪叉平台车。
Note: Unit Pump, Double Scissor Lift Tables.



手动平台车

- 可定制防尘罩/转盘/不锈钢/辊筒/倾斜平台/镀锌/多剪刀等。
Dust Cover, Rotary Round Table, Stainless Table, Roller Table, Tilting Table, Galvanized Table, More Scissors For Your Option.

型号/Model		PTH500
额定载重量 / Load Capacity	kg	500
最低高度 / Min. Height	mm	500
最高高度 / Max. Height	mm	2000
工作台尺寸 / Table Dimension	mm	905*500*50
轮子直径 / Dia.of the wheel	mm	Φ125
自重 / Net Weight	kg	130

备注：分体泵，三剪式平台车。
Note: Split Pump, Three Scissor Lift Tables.



型号/Model		PTS500	PTS800
额定载重量 / Load Capacity	kg	500	800
最低高度 / Min. Height	mm	360	450
最高高度 / Max. Height	mm	1500	1500
工作台尺寸 / Table Dimension	mm	905*500*50	1200*610*60
轮子直径 / Dia.of the wheel	mm	Φ125	Φ125
自重 / Net Weight	kg	107	142
外包装尺寸 / Packing Dimensions	mm	1070*520*360	1380*610*460
20尺集装箱装箱数 / TEU QTY	PCS	132	60

备注：分体泵，单油缸，脚踏泄压，双剪式平台车。
Note: Split Pump, Double Cylinder, Double Scissor Lift Tables.

型号/Model		PTS350B
额定载重量 / Load Capacity	kg	350
最低高度 / Min. Height	mm	360
最高高度 / Max. Height	mm	1300
工作台尺寸 / Table Dimension	mm	905*500*50
轮子直径 / Dia.of the wheel	mm	Φ125
自重 / Net Weight	kg	100
外包装尺寸 / Packing Dimensions	mm	1010*520*380
20尺集装箱装箱数 / TEU QTY	PCS	100

备注：整体泵，双剪叉平台车。
Note: Unit Pump, Double Scissor Lift Tables.





手动平台车

- 可定制防尘罩/转盘/不锈钢/辊筒/倾斜平台/镀锌/多剪叉等。
Dust Cover, Rotary Round Table, Stainless Table, Roller Table, Tilting Table, Galvanized Table, More Scissors For Your Option.



型号/Model		PTS1000	PTS1500
额定载重量 / Load Capacity	kg	1000	1500
最低高度 / Min. Height	mm	500	500
最高高度 / Max. Height	mm	1700	1700
工作台尺寸 / Table Dimension	mm	1200*610*80	1200*610*80
轮子直径 / Dia.of the wheel	mm	Φ150	Φ150
自重 / Net Weight	kg	240	290
外包装尺寸 / Packing Dimensions	mm	1370*610*500	1370*610*500
20尺集装箱装箱数 / TEU QTY	PCS	52	52

备注：分体系，双油缸，脚踏泄压，双剪式平台车。
Note: Split Pump, Double Cylinder, Double Scissor Lift Tables.

Screw Lift Table 丝杆车



型号/Model		SG300	SG500
额定载重量 / Load Capacity	kg	300	500
最低高度 / Min. Height	mm	440	550
最高高度 / Max. Height	mm	1000	1000
工作台尺寸 / Table Dimension	mm	950*600	950*600
自重 / Net Weight	kg	60	70
外包装尺寸 / Packing Dimensions	mm	1000*620*450	1000*620*560

型号/Model		SG1001
额定载重量 / Load Capacity	kg	1000
最低高度 / Min. Height	mm	610
最高高度 / Max. Height	mm	1070
工作台尺寸 / Table Dimension	mm	915*610
自重 / Net Weight	kg	106
外包装尺寸 / Packing Dimensions	mm	950*630*570

非标定制平台系列

- 可定制防尘罩/转盘/不锈钢/辊筒/倾斜平台/镀锌/多剪叉等。
Dust Cover, Rotary Round Table, Stainless Table, Roller Table, Tilting Table, Galvanized Table, More Scissors For Your Option.



辊筒平台

型号/Model		GTS350A
额定载重量 / Load Capacity	kg	350
最低高度 / Min. Height	mm	420
最高高度 / Max. Height	mm	1300
工作台尺寸 / Table Dimension	mm	905*500*100
轮子直径 / Dia.of the wheel	mm	Φ125
自重 / Net Weight	kg	106
外包装尺寸 / Packing Dimensions	mm	1010*520*430
辊筒直径 / Roller Diameter	mm	Φ50
轴径 / Shaft	mm	12
辊筒数量 / Number of Roller	/	9
20尺集装箱装箱数 / Load in 20'Container	PCS	120

斜顶平台

型号/Model		PTX300
额定载重量 / Load Capacity	kg	300
最低高度 / Min. Height	mm	350
最高高度 / Max. Height	mm	800
工作台尺寸 / Table Dimension	mm	900*600
轮子直径 / Dia.of the wheel	mm	Φ125
自重 / Net Weight	kg	90

备注：整体泵，单剪叉平台车。
Note: Unit Pump, Single Scissor Lift Tables.



电子秤平台

型号/Model		HL50C
额定载重量 / Load Capacity	kg	500
最低高度 / Min. Height	mm	400
最高高度 / Max. Height	mm	1000
工作台尺寸 / Table Dimension	mm	815*500
轮子直径 / Dia.of the wheel	mm	Φ125
自重 / Net Weight	kg	105
20尺集装箱装箱数 / Load in 20'Container	PCS	144
称重精度 / Weight Precision		5‰

选配：手动丝杆电子秤平台
Option: Screw Scale Lift Table



电动丝杆车



产品参数 Specification

型号/Model		DSG
额定载重量 / Load Capacity	kg	4000
最低高度 / Min. Height	mm	430
最高高度 / Max. Height	mm	600
平台尺寸 / Table Dimension	mm	1400*1400
升降速度 / Lifting Speed	mm/min	150
行走速度 / Travel Speed	mm/min	3000
丝杆尺寸 / Screw Dimensions	mm	Φ40/7
伺服电机 / Servo Motor	Kw	2
行走电机 / Travel Motor	Kw/V	0.55/380

手动平台车BS系列

- 重型设计
- 轮子有保护框，防止压伤脚背
- 采用防夹剪叉设计，防止夹伤；带有过载保护功能，更可靠，更安全
- 适用于维修、生产、包装流水线等工作场合。
- 符合欧洲 EN 1757-2、美国 ANSI/ASME 安全标准。

Heavy - duty design
 The wheels are equipped with protective frames to prevent foot injuries from being crushed.
 Adopts an anti - pinch scissor - fork design to prevent pinching injuries; equipped with an overload protection function for greater reliability and safety.
 Suitable for workplaces such as maintenance, production, and packaging assembly lines.
 Complies with European EN 1757 - 2 and American ANSI/ASME safety standards.



产品参数 Specification

型号/Model	额定载重量(kg) Load Capacity	最低高度(mm) Min. Height	最高高度(mm) Max. Height	工作台尺寸(mm) Table Dimensions	轮子直径 (mm) Wheel Size	自重(kg) Net Weight
BS15	150	260	755	700*450	100	41
BS25	250	330	910	830*500	125	78
BS50	500	435	1000	1010*520	150	118
BS75	750	440	1000	1010*520	150	120
BS100	1000	445	950	1010*520	150	137
BS15D	150	435	1430	830*500	125	90
BS30D	300	435	1585	1010*520	150	150
BS50D	500	445	1585	1010*520	150	168
BS80D	800	470	1410	1010*520	150	165



手动平台车BS系列大平台

- 手动液压操作（脚踏泵提升/手柄下降）
- 手动操作，下降速度完全可控
- 可在任何高度安全使用
- 标配两个全制动刹车装置，以防止装卸货物时平台移动
- 配备过载阀
- 耐磨且无痕的聚氨酯轮胎可防止对地面造成损坏
- 配有螺纹防护装置的旋转轮
- 环氧粉末涂层表面处理，以保证耐用性
- 提供符合欧盟标准EN 1570的测试证书

Manual hydraulic operation (foot pump to lift / hand lever to lower)
 Hand operated, fully controllable lowering speed
 Can be used safely at any height
 Fitted with two total stop brakes as standard to prevent the table from moving when loading and unloading
 Fitted with an overload valve
 Hard wearing and non-marking polyurethane tyres prevent damage to floors
 Swivel wheels fitted with thread guards
 Epoxy powder coated finish for durability
 Issued with a test certificate in conformance with EU standards EN 1570



产品参数 Specification

型号/Model	额定载重量(kg) Load Capacity	最低高度(mm) Min. Height	最高高度(mm) Max. Height	工作台尺寸(mm) Table Dimensions	自重(kg) Net Weight
BS50LA	500	400	1100	1525×620	175
BS50LB	500	370	1190	1200×800	160
BS100L	1000	425	1225	1200×800	163

手动不锈钢平台车BS系列

- 结构坚固但重量轻。
- 100%由304不锈钢制成。
- 两个刹车装置提高安全性。
- 不锈钢结构非常适合制药、食品、饮料等行业。
- 剪叉之间有安全间隙，以防夹陷。
- 带保护框和刹车的旋转轮可防止脚部受伤。
- 内置溢流阀，实现过载保护。

Robust structure yet light weight.
 100% Made of stainless #304.
 Two brakes increase safety.
 Stainless structure ideal for pharmaceutical, food, beverage etc.
 Safety clearance between scissors to prevent from trapping.
 Swivel wheel with protection frame and brake to prevent foot from injury.
 Built-in relief valve to fulfill overload protection.



产品参数 Specification

型号/Model	额定载重量(kg) Load Capacity	最低高度(mm) Min. Height	最高高度(mm) Max. Height	工作台尺寸(mm) Table Dimensions	自重(kg) Net Weight
BS10S	100	265	755	700x450	40
BS20S	200	330	910	830x500	78
BS30S	300	330	910	830x500	80
BS50S	500	435	1000	1010x520	118
BS75S	750	442	1000	1010x520	137



ES系列电动平台车

- 采用高品质泵站，起升平稳有力
- 采用免维护启动电池，内置充电器，带电量显示表，低电压报警灯
- 采用防夹剪叉设计，防止夹伤，带有过载保护，更安全可靠
- 上升和下降过程均匀、平稳；
- 结构紧凑，外观简洁，维护使用灵活、方便；
- 符合欧洲检测保护标准，包括EN1570: 2019标准；

Adopt high - quality pumping stations for smooth and powerful lifting.

Use maintenance - free starting batteries with built - in chargers, battery level indicators, and low - voltage warning lights.

Employ an anti - pinch scissor - fork design to prevent pinching injuries, and be equipped with overload protection for greater safety and reliability.

The ascending and descending processes are uniform and smooth;

The structure is compact, the appearance is simple, and the maintenance and use are flexible and convenient;

Comply with European inspection and protection standards, including the EN1570:2019 standard;



ES30(单剪叉)

ES30D(双剪叉)

产品参数 Specification

型号/Model	额定载重量(kg) Load Capacity	最低高度(mm) Min. Height	最高高度(mm) Max. Height	工作台尺寸(mm) Table Dimensions	自重(kg) Net Weight
ES30	300	450	950	1010*520	140
ES50	500	450	950	1010*520	148
ES75	750	450	950	1010*520	154
ES100	1000	480	950	1010*520	169
ES30D	300	495	1600	1010*520	183
ES50D	500	495	1618	1010*520	198
ES80D	800	510	1440	1010*520	215

ES-L ES-LD电动大平台

- 结构坚固但重量轻。
- 100%由304不锈钢制成。
- 两个刹车装置提高安全性。
- 不锈钢结构非常适合制药、食品、饮料等行业。
- 剪叉之间有安全间隙，以防夹陷。
- 带保护框和刹车的旋转轮可防止脚部受伤。
- 内置溢流阀，实现过载保护。

Robust structure yet light weight.

100% Made of stainless #304.

Two brakes increase safety.

Stainless structure ideal for pharmaceutical, food, beverage etc.

Safety clearance between scissors to prevent from trapping.

Swivel wheel with protection frame and brake to prevent foot from injury.

Built-in relief valve to fulfill overload protection.



ES100L(单剪叉)

ES100LD(双剪叉)

产品参数 Specification

型号/Model	额定载重量(kg) Load Capacity	最低高度(mm) Min. Height	最高高度(mm) Max. Height	工作台尺寸(mm) Table Dimensions	自重(kg) Net Weight	起升电机 (w) Power Pack	电池 (V/Ah) Battery
ES50LA	500	440	1150	1525*620	215	700	12/75
ES50LB	500	430	1220	1200*800	220	700	12/75
ES100L	1000	430	1220	1200*800	225	700	12/75
ES50LD	500	520	2000	1200*800	266	800	12/75
ES100LD	1000	520	2000	1200*800	286	1600	12/75



剪叉式电动升降自行走平台车

- 载重: 500kg与800kg
- 提升高度: 单剪叉: 1000mm, 双剪叉: 1850mm.
- 自行式且电动提升
- 柯蒂斯控制器和霍尔加速器。
- 符合EN1570标准以及美国国家标准学会/美国机械工程师协会 (ANSI/ASME) 安全标准。
- 可选配转向手柄, 使移动更加轻松。

Capacity:500Kg,800Kg.
Lifting Height:Single scissor:1000mm, Double scissor :1850mm.
Self-propelled & electric lifting.
Curtis controller & HALL accelerator.
Meet EN1570 norm and ANSI/ASME safety standards.
Optional steering handle makes the moving more easier.



ESM活动手柄



ESF固定手柄

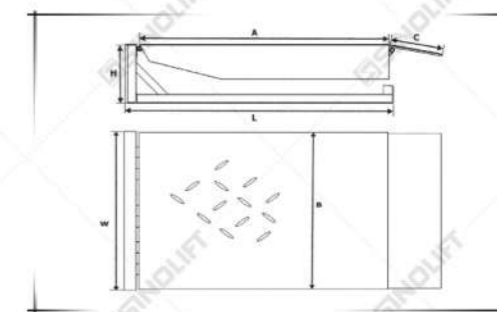
产品参数 Specification

型号/Model	额定载重量(kg) Load Capacity	最低高度(mm) Min. Height	最高高度(mm) Max. Height	工作台尺寸(mm) Table Dimensions	自重(kg) Net Weight	满电升降次数 Lifting Cycle	轮子直径(mm) Wheel Dia.
ESF50	500	460	1000	1020*610	214	55	200
ESF50D	500	460	1720	1020*610	220	40	200
ESM50	500	460	1000	1020*610	220	55	200
ESM50D	500	470	1720	1020*610	235	40	200
ESM80	800	460	1075	1020*610	240	45	200
ESM91D	910	520	1850	1020*610	250	40	200

DKL-ME机械式登车桥

机械式登车桥通过简单的链条拉伸带动弹簧机构, 完成台面操作, 可用在无需电源及无需防爆要求的货场。

- 全机械, 单手拉链操作。
 - 加强性角边
 - 重型桥面 (6-8箱形梁) .
 - 防滑螺纹板甲板和角边
 - 全宽铰链管和一体式铰链销
 - 正夹持装置, 工作时允许上下浮动。
 - 重型可调升降弹簧, 直接加长弹簧。
- 可选配置:
- 超重载荷可用。
 - 自定义尺寸
 - 保险杠
 - 全范围防护罩



The mechanical loading dock leveler drives the spring mechanism through simple chain stretching to complete the platform operation, and can be used in freight yards where there is no need for power supply and no explosion - proof requirements.

Standard Functions:

- All - mechanical, single - hand zipper operation.
- Reinforced corner edges.
- Heavy - duty bridge deck (6 - 8 box - shaped beams).
- Anti - slip threaded plate deck and corner edges.
- Full - width hinge tube and integrated hinge pin.
- Positive clamping device, allowing up - and - down floating during operation.
- Heavy - duty adjustable lifting springs, directly elongated springs.

Optional Configurations:

- Available for overweight loads.
- Customized dimensions.
- Bumpers.
- Full - range protective covers.



DKL-ME机械式登车桥

产品参数 Specification

型号/Model		DKL-12ME-1820 DKL-14ME-1820 DKL-16ME-1820	DKL-12ME-2020 DKL-14ME-2020 DKL-16ME-2020	DKL-12ME-2025 DKL-14ME-2025 DKL-16ME-2025
载重/Capacity		kg	12000	12000kg
		kg	14000	14000kg
		kg	16000	16000kg
平台尺寸Platform Size	B*A	mm	1800*2000	2000*2000mm
唇板尺寸Lip Board Size		mm	450	450mm
行程Travel	向上Up	mm	300	300mm
	向下Down	mm	300	300mm
坑位尺寸Pit Dimension	L	mm	2150	2150mm
	W+1/2"	mm	1860	2060mm
	H	mm	485/600	485/600



DKL-HE电动液压登车桥

- 液压系统采用意大利产品，性能卓越，质量有保证。
- 独特的“流线型”开放式铰链接头设计，与管状接头相比，焊接位置增加了270%，使用寿命更长，维护更方便。
- 独特设计的“H”型钢框架能够均匀承受压力，减少扭转，比其他槽钢及结构更坚固耐用。
- 在维护和清洁过程中，使用撑杆支撑装卸平台，更加安全可靠。
- 支撑腿底座前端采用开放式设计，便于快速清理底座杂物。

The hydraulic system adopts Italian products and has excellent performances and quality assurance.
 The unique “streamline” open hinge joint design increases 270% of welding position than tubular joint and has longer service life and convenient maintenance.
 The uniquely designed “H” type steel frame can equally bear pressure, reduces the torsion and is more firm and durable than other channel steel and structures.
 It is more safe and reliable when using the brace rod to support the leveler during maintenance and cleaning.
 The front end of the supporting leg base adopts open design, so the base is convenient and rapid to clean the sundries.



DKL-HE电动液压登车桥

产品参数 Specification

型号/Model			DKL-12HE-1820 DKL-14HE-1820 DKL-16HE-1820	DKL-12HE-2020 DKL-14HE-2020 DKL-16HE-2020	DKL-12HE-2025 DKL-14HE-2025 DKL-16HE-2025
载重/Capacity		kg	12000	12000	12000
		kg	14000	14000	14000
		kg	16000	16000	16000
平台尺寸Platform Size	B*A	mm	1800*2000	2000*2000	2000*2500
唇板尺寸Lip Board Size		mm	450	450	450
行程Travel	向上Up	mm	300	300	300
	向下Down	mm	300	300	300
坑位尺寸Pit Dimension	L	mm	2150	2150	2650
	W+1/2"	mm	1860	2060	2060
	H	mm	485/600	485/600	485/600
动力单元Power Pack		kw	HYDR-APP 0.75kw		

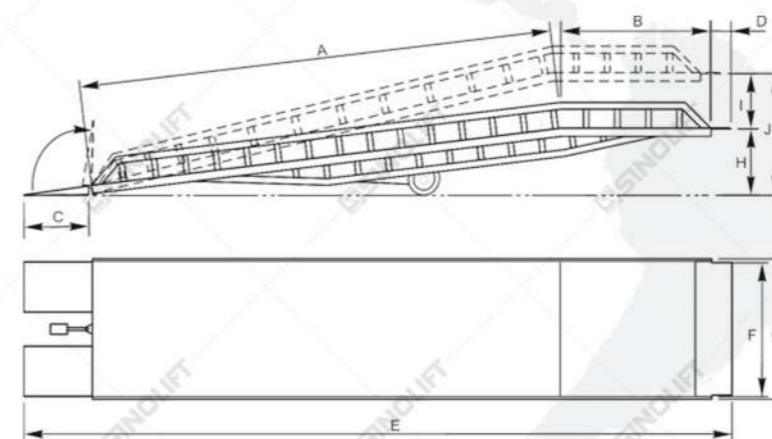
DCQY移动登车桥

由手动液压泵控制，无需其他动力。

- 经久耐用，几乎无需维修。
- 移动方便。
- 适用于没有装卸场地的场合。
- 借助登车桥，叉车可轻松驶入装卸区域进行货物装卸。

Controlled by hand hydraulic pump, other power are not required

- Durable and almost no need for repair.
- Convenient to move.
- Apply to the occasion which has no loading site.
- Thanks to dock ramp, forklift can easily go into the dock for loading and unloading goods.



DCQY移动登车桥

产品参数 Specification

型号/Model	载重Capacity	平台尺寸Platform Size						工作高度Work Height		
		A	B	C	D	F	G	H	I	J
	kg	m	m	m	m	m	m	m	m	m
DCQY6-0.8	6000	7	2.2	1	0.3	2	2.08	1	0.8	1.8
DCQY8-0.8	8000	7	2.2	1	0.3	2	2.08	1	0.8	1.8
DCQY10-0.8	10000	7.5	2.4	1	0.3	2	2.08	1	0.8	1.8



剪叉式升降平台

FSJY-YZ

- 全电动 Full-Electric
- 液压驱动 Hydraulic Drive



型号/Model		FSJY3-YZ	FSJY3.9-YZ	FSJY4.8-YZ
平台额定载荷 / Lift Rated Capacity	kg	300	300	300
最大工作高度 / Maximum Working Height	mm	5000	5900	6800
最大平台高度 / Maximum Platform Height	mm	3000	3900	4800
整机长度(带踏板) / Overall Length (with Ladder)	mm	1340/1250	1340/1250	1340/1250
整机宽度 / Overall Width	mm	760	760	760
整机高度 / Overall Height	mm	1830	1930	1990
工作平台尺寸 / Platform Size	mm	1170*600	1170*600	1170*600
最小离地高度 / Ground Clearance	mm	60	60	60
轴距 / Wheel Base	mm	1010	1010	1010
最小转弯半径 / Min. Turn Radius	mm	1400	1400	1400
驱动电机 / Driving Motor	V/kw	2*24/0.4	2*24/0.4	2*24/0.4
起升电机 / Lifting Motor	V/kw	24/1.2	24/1.2	24/1.2
机器行使速度(降下) / Running Speed (Stowed)	km/h	4	4	4
机器行使速度(升起) / Running Speed (Elevated)	km/h	0.8	0.8	0.8
上升/下降速度 / Rising/Falling Speed	sec	20/30	20/30	20/30
蓄电池 / Battery	V/Ah	2*12/80	2*12/80	2*12/80
充电器 / Charger	V/A	24/10	24/10	24/10
最大爬坡能力 / Max. Climbing Ability	%	10-15	10-15	10-15
工作最大允许角度 / Max. Working Allowable Angle	/	2°	2°	2°
驱动轮 / Driving Wheel	mm	Φ230*80	Φ230*80	Φ230*80
从动轮 / Front Wheel	mm	Φ230*80	Φ230*80	Φ230*80
整机重量 / Net Weight	kg	650	700	930

剪叉式升降平台



FSJY3/3.9/4.8

- 全电动 Full-Electric
- 电驱动 Electric Drive

型号/Model		FSJY3	FSJY3.9	FSJY4.8
平台额定载荷/Lift Rated Capacity	kg	300	300	300
最大工作高度/Max. Working Height	mm	5000	5900	6800
最大平台高度/Max Platform Height	mm	3000	3900	4800
整机长度/Overall Length	mm	1300	1300	1300
整机宽度/Overall Width	mm	760	760	760
整机高度/Overall Height	mm	1830	1930	1990
工作平台尺寸/Platform Size	mm	1170*600		
最小离地高度/Ground Clearance	mm	60		
轴距/Wheel Base	mm	990		
最小转弯半径/Min. Turn Radius	mm	1200		
驱动电机/Driving Motor	V/kw	2*24/0.4		
起升电机/Lifting Motor	V/kw	24/0.8		
机器行使速度(降下) Running Speed(Stowed)	km/h	4		
机器行使速度(升起) Running Speed(Elevated)	km/h	0.8		
上升/下降速度/Rising/falling Speed	sec	20/30		
蓄电池/Battery	V/Ah	2*12/80		
充电器/Charger	V/A	24/10		
最大爬坡能力/Max. Climbing Ability	%	10-15		
工作最大允许角度 Max. Working Allowable Angle	/	2°		
驱动轮/Driving Wheel	mm	Φ230*80		
从动轮/Front Wheel	mm	Φ150*60		
整机重量/Overall Net Weight	kg	490	600	760

FSJY6/8

- 全电动 Full-Electric
- 电驱动 Electric Drive

型号/Model		FSJY6	FSJY8
平台额定载荷/Lift Rated Capacity	kg	300	300
平台最大高度/Max. Platform Height	mm	6000	8000
机器最大高度/Max. Machine Height	mm	7100	9100
平台最低高度/Min. Platform Height	mm	1080	1200
底座离地距离/Ground Clearance	mm	20	20
平台延伸部分载重/Platform Extend Capacity	kg	100	100
工作平台尺寸/Platform Size	mm	1880*900	
平台延伸长度/Platform Extend Length	mm	900	
最高驾驶速度(平台降下) Max. Drive Speed (Platform Stowed)	km/h	3-4	
最高驾驶速度(平台升起) Max. Drive Speed (Platform Elevated)	km/h	0.6-1	
最小转弯半径/Min. Turning Radius	mm	2000	
最大爬坡能力/Max. Climbing Capacity	%	10-15	
驱动轮尺寸/Driving Wheel Size	mm	Φ305*100	
定向轮尺寸/Directional wheel size	mm	Φ305*100	
驱动电机/Driving Motor	V/kw	2*24/0.5	
举升电机/Lifting Motor	V/kw	24/2.2	
蓄电池/Battery	V/Ah	2*12/150	
充电器/Charger	V/A	24/15	
整机长度/Overall Length	mm	2050	
整机宽度/Overall Width	mm	900	
整机高度/Overall Height	mm	2150	2270
整机重量/Overall Net Weight	kg	1500	1700



非标定制平台系列

- 可定制防尘罩/转盘/不锈钢/辊筒/倾斜平台/镀锌/多剪刀叉等。
Dust Cover, Rotary Round Table, Stainless Table, Roller Table, Tilting Table, Galvanized Table, More Scissors For Your Option.



圆形旋转平台

型号/Model	SJGZ0.25-0.65	
额定载重量 / Load Capacity	kg	250
圆形台面 / Table Dimension	mm	Φ1000
最低高度 / Min. Height	mm	350
最高高度 / Max. Height	mm	1000
电压 / Voltage	V	12
旋转功率 / Rotational Power	Kw	0.12
升降功率 / Lifting Power	Kw	0.75
充电器输入电压 / Charger Input Voltage	V	220/110



移动直流

型号/Model	SJY0.5-2.35	
额定载重量 / Load Capacity	kg	500
最低高度 / Min. Height	mm	650
最高高度 / Max. Height	mm	3000
工作台尺寸 / Table Dimension	mm	1800*1000
电机 / Power	Kw	1.6Kw/12V
蓄电池 / Storage Battery	Ah	150Ah/12V
轮子直径 / Dia.of the wheel	mm	6寸PU轮, 2定带边刹



固定电动平台双排单叉

型号/Model	额定载重量(kg) Load Capacity	最低高度(mm) Lowest Height	最高高度(mm) Max. Height	工作台尺寸(mm) Table Dimensions	电压(V) Voltage
DGD1000	1000	250	1250	3500*1000	380/220V
DGD2000	2000	250	1250	3500*1000	380/220V
DGD3000	3000	250	1250	3500*1000	380/220V
DGD5000	5000	300	1250	3500*1000	380/220V

非标定制平台系列

- 可定制防尘罩/转盘/不锈钢/辊筒/倾斜平台/镀锌/多剪刀叉等。
- 可定制仿峡谷燃烧试验倾斜平台、气密性试验水池升降平台、地沟盖板平台、深冷设备装配平台、物流公司仓储对接平台、军工配套设备、耐火砖浇筑流水线配套设备。多种设备涉及到新能源, 军工, 通信, 食品, 医药等。

Dust Cover, Rotary Round Table, Stainless Table, Roller Table, Tilting Table, Galvanized Table, More Scissors For Your Option.
Customizable inclined platform for simulating canyon combustion test, lifting platform for airtightness test pool, trench cover platform, cryogenic equipment assembly platform, logistics company warehousing docking platform, military supporting equipment, and refractory brick pouring assembly line supporting equipment. Various devices are involved in new energy, military industry, communication, food, medicine, etc.

