

公司简介



浙江方大合金科技有限公司，作为中国五金行业龙头企业方大控股有限公司的控股子公司，成立于2012年，是一家致力于生产适用于多个行业用硬质合金产品，集设计，开发，生产销售于一体的生产企业。特别是硬质合金电锤钻头，木工刀具，锯齿片，开孔器，矿山用钎片，球齿，棒材，板材，旋转锉，非标等复杂产品，在国内外享有盛誉。产品远销欧美，中东，东南亚，非洲等国家和地区，深受广大客户的欢迎和信赖。

依托母公司积聚的实力，我司装备了整套生产高档硬质合金所必需的生产，研发，检测设备。检测设备齐全，检验方法科学，管理先进。同时本公司技术力量雄厚，拥有一批经验丰富的生产技术骨干，还聘请了行业内经验丰富的粉料，模具，压制，烧结等高级工程师和教授级高工，他们在各自的领域都有着几十年的技术生产管理经验，为我司生产，研发高质量以及稳定质量的硬质合金产品打下了坚实的基础。目前公司已拥有五项专利，具有年产600吨各种类型的硬质合金制品的能力。

公司本着“以客户为中心，为用户提供全方位服务”为原则，提供各种以客户要求为中心设计生产的产品。同时，根据我司所具备的开发经验，为客户打造相关领域的产品。

Company Overview



Fangda Cemented Carbide Technology Co., Ltd(FDCC), a wholly owned subsidiary of Fangda Holding Co., Ltd-leading company in the field of hardware in china was set up in 2001.It specializes in manufacturing, designing, R&D, producing and selling tungsten carbide products. Its tungsten carbide tips for wood-cutting tools, saw tips, tips for hollow saw, tips for hammer drill bit , tips for coal mining tools, buttons for DTH button bit, rods, strips, rotary bur heads, irregular & - complicated products, ect enjoy a good reputation in china. The products are sold to countries and areas in Europe and America, Middle East, Eastern-South Asia, Africa, etc and are warmly welcomed and trusted by the customers.

Aiming at customers' needs and provide perfect service for customers as its policy. FDCC offers the service to manufacture different kinds of tungsten carbide products according to the customers' requirements. Also, with its rich experience, the company also serves to design and manufacture specialized products for customers. FDCC warmly welcome customers domestically and abroad.

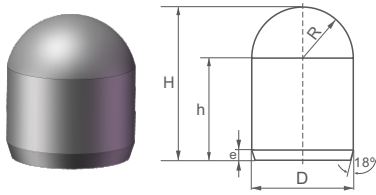
硬质合金牌号\性能\应用 Carbide Grade\Property\Application

国标牌号 GB Grade	ISO牌号 ISO Grade	硬度 HRA≥	密度 (g/cm³)≥	抗弯强度 (N/mm²)≥	应用Application
FD05E	-	87.8	14.95	2500	特粗晶粒合金，适用于水泥路修复铣刨齿。 Extra coarse grain size, suitable for milling and shaping teeth in cement road repair.
FD10E	-	87.6	14.90	2700	特粗晶粒合金，适用于沥青路修复铣刨齿。 Extra coarse grain size, suitable for milling teeth in asphalt road repair.
FD05A	G05	90.5	14.93	3000	适用于球齿、潜孔钻头球齿。 Suitable for making button bit, DTH button bit.
FD15	G15	88.9	14.71	2870	适用于球齿、潜孔钻头球齿。 Suitable for making button bit, DTH button bit.
FD40E	G40	85.8	14.30	2800	特粗晶粒合金，适用于截煤齿。 Extra coarse grain size, suitable for making coal mining teeth.
YG8	G10	90.3	14.73	2950	适用于地质勘探，煤炭采掘。钻进煤层无矽化面页岩钾盐。岩盐及其它均质岩石。亦适用于中硬砂岩，灰岩及软硬交替的岩石。也适用于建工钻头。 Suitable for geological exploration and coal mining. Drilling into coal seams without silicified shale potassium salts. Rock salt and other homogeneous rocks. It is also suitable for medium hard sandstone, limestone, and rocks with alternating softness and hardness. Also applicable to construction drill bits.

硬质合金牌号\性能\应用 Carbide Grade\Property\Application

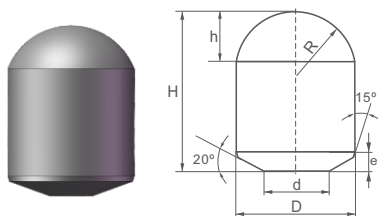
国标牌号 GB Grade	ISO牌号 ISO Grade	硬度 HRA≥	密度 (g/cm ³)≥	抗弯强度 (N/mm ²)≥	应用Application
YG95	-	87.9	14.58	2650	适用于冲击回转钻头的钎片及、球齿、钻凿中硬及坚硬层。也适用于建工钻头。 Suitable for impact rotary drill bits, including - drill bits, buttons, and drilling hard and hard layers. Also applicable to construction drill bit.
YG11C	-	87.2	14.40	2730	适用于冲击回转钻头的钎片及矿用牙轮钻、球齿、钻凿坚硬层。也适用于建工钻头。 Suitable for drill bits with impact and rotation, as well as mining cone drills, ball teeth, and drilling hard and hard layers. Also applicable to construction drill bits.
YG13C	G30	86.7	14.18	2850	适用于制造石油牙轮钻及截煤齿。 Suitable for making tri-cone bits and coal mining teeth.
YG16C	-	85.8	13.85	2950	适用于制造石油牙轮钻及金刚石复合片基托。 Suitable for manufacturing oil-field tri-cone bit and diamond composite disc bases.

潜孔钻、球齿钻头用硬质合金
Carbide Buttons for DTH drill bit and button bit



球型齿
Spherical Button

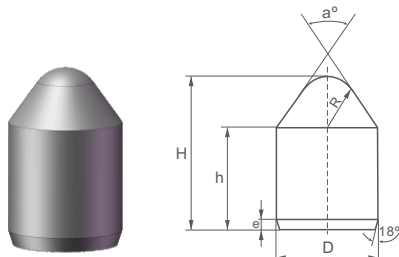
型号 Type	Dimension(mm)				
	D	H	h	R	e
FQ0810	8.0	10.0	7.1	4.2	1.5
FQ0812	8.0	12.0	9.1	4.2	1.5
FQ1010	10.0	10.0	6.5	5.2	1.5
FQ1012	10.0	12.0	8.2	5.2	1.5
FQ1014	10.0	14.0	10.2	6.2	1.5
FQ1214	12.0	14.0	9.4	6.2	1.5
FQ1216	12.0	16.0	11.4	6.2	1.5
FQ1218	12.0	18.0	13.4	6.2	1.5
FQ1313	13.0	13.0	8.4	6.7	1.5
FQ1315	13.0	13.0	10.4	6.7	2.0
FQ1416	14.0	16.0	10.5	7.2	2.0
FQ1417	14.0	17.0	11.1	7.6	2.0
FQ1420	14.0	20.0	14.5	7.2	2.0
FQ1422	14.0	22.0	16.5	7.2	2.0
FQ1517	15.0	17.0	11.1	7.6	2.0
FQ1618	16.0	18.0	11.6	8.2	2.0
FQ1623	16.0	23.0	16.6	8.2	2.0
FQ1625	16.0	25.0	18.6	8.2	2.0
FQ1825	18.0	25.0	17.7	9.2	2.0
FQ1827	18.0	27.0	19.7	9.2	2.0



球型齿
Spherical Button

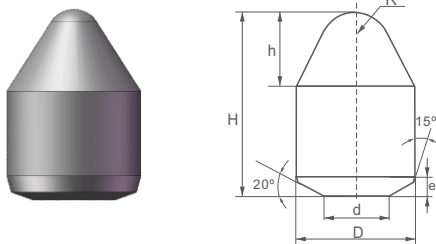
型号 Type	Dimension(mm)				
	D	H	h	R	e
FQ2081	8.0	10.8	2.6	4.4	1.5
FQ2091	9.0	13.0	3.4	4.7	1.8
FQ2010	10.0	13.5	3.4	5.4	1.9
FQ2011	11.1	15.5	4.5	5.7	2.1
FQ2012	12.0	16.0	4.7	6.2	2.3
FQ2013	13.0	19.0	5.1	6.7	2.4
FQ2014	14.0	20.0	5.9	7.2	2.7
FQ2015	15.9	22.2	5.7	8.4	2.6
FQ2016	16.1	23.0	6.7	8.2	3.0
FQ2018	18.1	23.0	7.5	9.2	3.3
FQ2019	19.0	25.5	8.0	9.7	3.6
FQ2020	20.0	29.0	8.2	10.3	3.7

* Customization is available to customers' requirement.



锥型齿
Conical Button

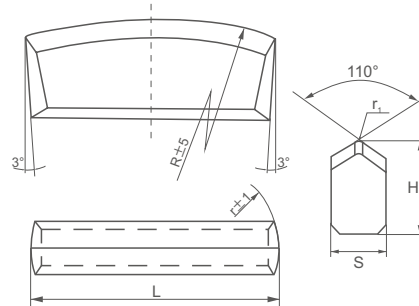
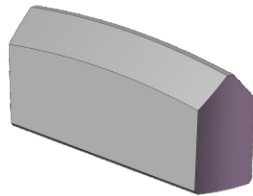
型号 Type	Dimension(mm)				
	D	H	h	e	a°
FZ0810	8.0	10.0	6.5	1.5	35
FZ0812	8.0	12.0	8.5	1.5	35
FZ1011	10.0	11.0	7.1	1.5	35
FZ1013	10.0	13.0	9.1	1.5	35
FZ1015	10.0	15.0	9.9	1.5	35
FZ1215	12.0	15.0	10.2	1.5	35
FZ1218	12.0	18.0	13.0	1.5	35
FZ1416	14.0	16.0	9.5	1.5	35
FZ1418	14.0	18.0	12.5	1.5	35
FZ1420	14.0	20.0	13.7	1.5	35
FZ1422	14.0	22.0	15.7	1.5	35
FZ1625	16.0	25.0	17.3	2.0	35



锥型齿
Conical Button

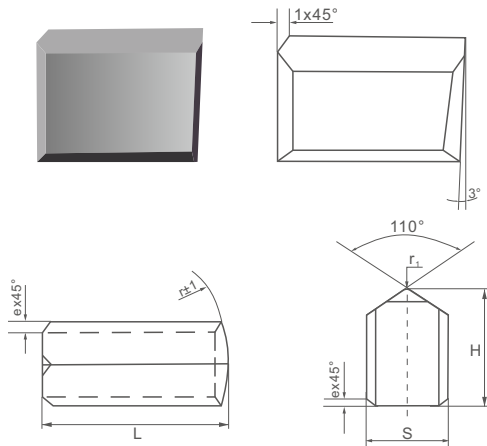
型号 Type	Dimension(mm)				
	D	H	h	R	e
FZ2071	7.0	10.6	3.5	2.5	1.3
FZ2081	8.0	11.5	4.0	3.0	1.5
FZ2091	9.0	12.6	4.5	3.0	1.6
FZ2010	10.0	14.2	6.1	2.0	1.8
FZ2011	11.0	17.9	6.5	2.5	2.1
FZ2013	13.0	19.9	8.0	4.0	1.9
FZ2015	15.0	22.0	9.0	5.0	2.5
FZ2020	20.7	28.2	10.9	7.9	3.3
FZ2023	23.9	42.7	18.4	7.0	4.0
FZ2028	28.6	44.4	22.2	7.6	4.0

* Customization is available to customers' requirement.

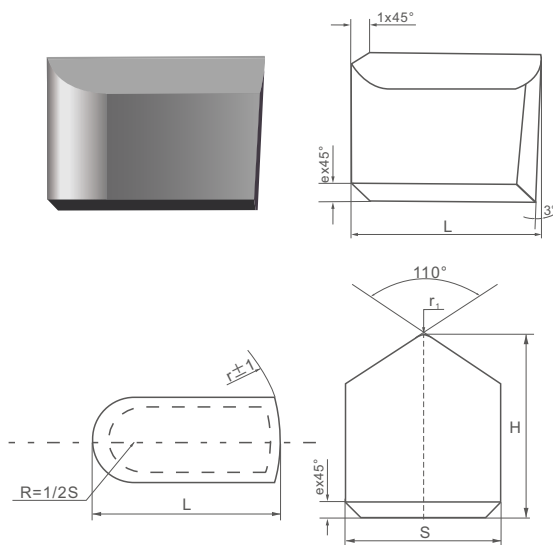
潜孔钻、球齿钻头用硬质合金
Carbide Buttons for DTH drill bit and button bit


型号 Type	Dimension(mm)						R	r	r ₁
	L		H		S				
	Dim.	TOL.	Dim.	TOL.	Dim.	TOL.			
FKO020	20.0	±0.3	15.0	±0.3	7.0	±0.2	180	12	0.5~1
FKO022	22.0	±0.3	15.0	±0.3	7.0	±0.2	180	12	0.5~1
FKO024	24.0	±0.3	15.0	±0.3	7.0	±0.2	180	12	0.5~1
FKO024B	24.0	±0.3	14.0	±0.3	7.0	±0.2	180	13	0.5~1
FKO026	26.0	±0.3	12.0	±0.3	8.0	±0.2	50	13	0.5~1
FKO026B	26.0	±0.3	15.0	±0.3	8.0	±0.2	50	13	0.5~1
FKO026D	26.0	±0.3	18.0	±0.3	8.0	±0.2	180	13	0.5~1
FKO028	28.0	±0.3	12.0	±0.3	6.0	±0.2	80	14	0.5~1
FKO028B	28.0	±0.3	15.0	±0.3	8.0	±0.2	80	14	0.5~1
FKO028D	28.0	±0.3	18.0	±0.3	8.0	±0.2	180	14	0.5~1
FKO30	30.0	±0.4	13.0	±0.3	8.0	±0.2	80	15	0.5~1
FKO30B	30.0	±0.4	15.0	±0.3	8.0	±0.2	80	15	0.5~1
FKO30D	30.0	±0.4	18.0	±0.3	8.0	±0.2	180	15	0.5~1
FKO032	32.0	±0.4	14.5	±0.3	9.0	±0.2	180	16	0.5~1
FKO032B	32.0	±0.4	13.0	±0.3	7.5	±0.2	180	16	0.5~1
FKO033	33.0	±0.4	18.0	±0.3	9.2	±0.2	180	16	0.5~1
FKO034	34.0	±0.4	18.0	±0.3	10.0	±0.2	180	17	0.5~1
FKO034B	34.0	±0.4	15.0	±0.3	9.0	±0.2	180	17	0.5~1
FKO036	36.0	±0.4	18.0	±0.3	10.0	±0.2	180	18	0.5~1
FKO036B	36.0	±0.4	15.0	±0.3	9.0	±0.2	180	18	0.5~1
FKO038	38.0	±0.4	18.0	±0.3	10.0	±0.2	180	19	0.5~1
FKO038B	38.0	±0.4	15.0	±0.3	9.0	±0.2	180	19	0.5~1
FKO040	40.0	±0.4	18.0	±0.3	10.0	±0.2	180	20	0.5~1
FKO040B	40.0	±0.4	15.0	±0.3	10.0	±0.2	180	20	0.5~1
FKO042	42.0	±0.5	18.0	±0.3	10.0	±0.2	180	21	0.5~1
FKO042B	42.0	±0.5	15.0	±0.3	10.0	±0.2	180	21	0.5~1
FKO044	44.0	±0.5	18.0	±0.3	10.0	±0.2	180	22	0.5~1
FKO044B	44.0	±0.5	15.0	±0.3	10.0	±0.2	180	22	0.5~1
FKO046	46.0	±0.5	15.0	±0.3	10.0	±0.2	160	23	0.5~1
FKO046B	46.0	±0.5	18.0	±0.3	10.0	±0.2	180	23	0.5~1
FKO049	49.0	±0.5	15.0	±0.3	10.0	±0.2	160	25	0.5~1
FKO049B	49.0	±0.5	18.0	±0.3	10.0	±0.2	180	25	0.5~1

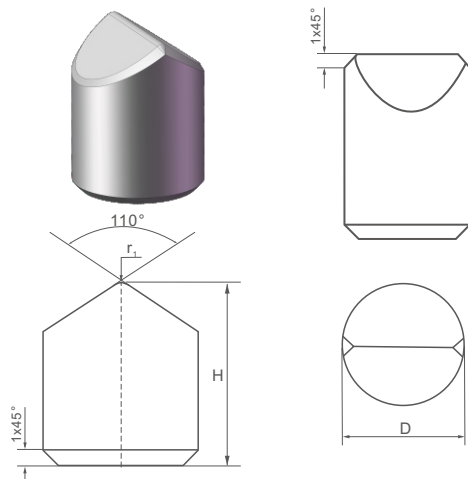
* Customization is available to customers' requirement.



型号 Type	Dimension(mm)					
	L	H	s	r	r _i	e
FK2012	12.0	12.0	8.0	16.0	0.5~1.0	1.0
FK2013	13.0	12.0	8.0	16.0	0.5~1.0	1.0
FK2014	14.0	12.0	8.0	17.0	0.5~1.0	1.0
FK2015	15.0	12.0	8.0	20.0	0.5~1.0	1.0
FK2017	17.0	14.0	8.0	20.0	0.5~1.0	1.0
FK2019	19.0	14.0	8.0	22.0	0.5~1.0	1.0
FK2020	20.0	16.0	10.0	23.0	0.5~1.0	1.5
FK2020A	20.0	18.0	10.0	23.0	0.5~1.0	1.5
FK2022	22.0	16.0	10.0	25.0	0.5~1.0	1.5
FK2024	24.0	16.0	10.0	27.0	0.5~1.0	1.5
FK2026	26.0	16.0	10.0	29.0	0.5~1.0	1.5
FK2028	28.0	16.0	10.0	31.0	0.5~1.0	1.5



型号 Type	Dimension(mm)					
	L	H	s	r	r _i	e
FK2114	14.0	12.0	8.0	20.0	0.5~1.0	1.0
FK2116	16.0	12.0	8.0	22.0	0.5~1.0	1.0
FK2118	18.0	14.0	10.0	22.5	0.5~1.0	1.0
FK2120	20.0	16.0	10.0	28.5	0.5~1.0	1.0
FK2126	26.0	16.0	10.0	35.0	0.5~1.0	1.5
FK2126A	26.0	18.0	10.0	35.0	0.5~1.0	1.5
FK2128	28.0	16.0	10.0	35.0	0.5~1.0	1.5
FK2128A	28.0	18.0	10.0	35.0	0.5~1.0	1.5
FK2130	30.0	16.0	12.0	38.0	0.5~1.0	1.5
FK2130A	30.0	18.0	12.0	38.0	0.5~1.0	1.5



型号 Type	Dimension(mm)		
	D	H	r
FK3008	8.0	14.0	0.5~1.0
FK3010	10.0	16.0	0.5~1.0
FK3012	12.0	16.0	0.5~1.0
FK3014	14.0	18.0	0.5~1.0
FK3016	16.0	20.0	0.5~1.0
FK3016A	16.0	22.0	0.5~1.0
FK3018	18.0	20.0	0.5~1.0

* Customization is available to customers' requirement.