

UP

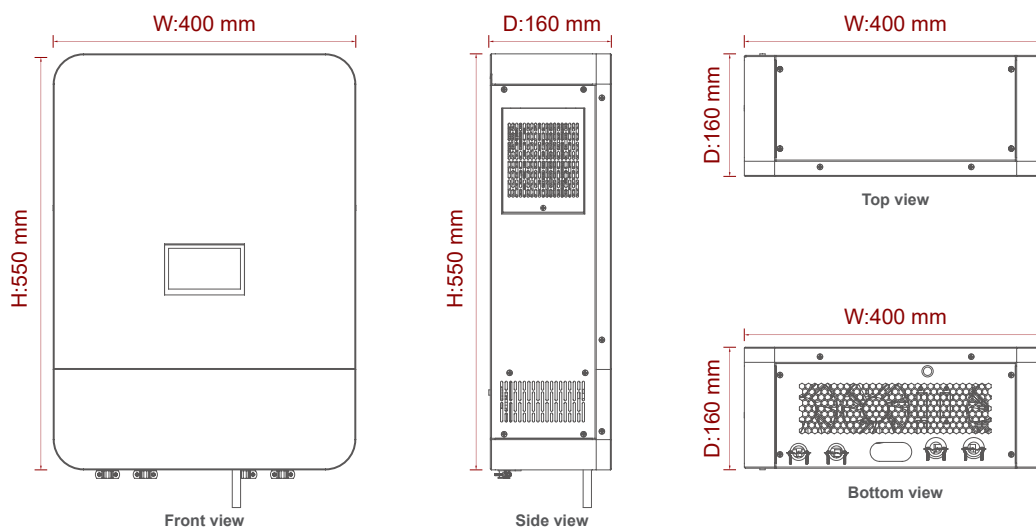
On/Off Grid Bi-Directional Inverter



• Features

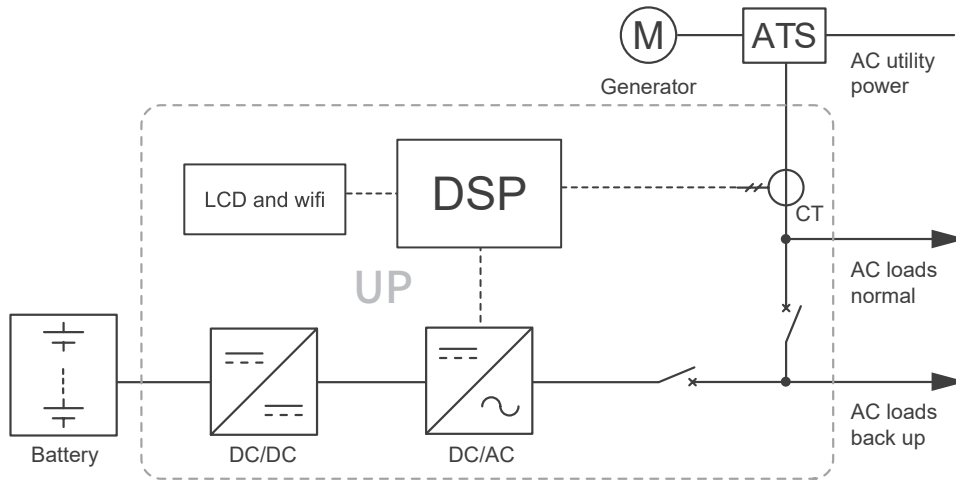
- 5KW / 6KW 48Vdc 230Vac.
- Grid-battery hybrid power supply.
- Anti-backflow protection.
- 120A charging current.
- MODBUS/RS485/CAN communication.
- Peak shaving function.

• Product Dimensions

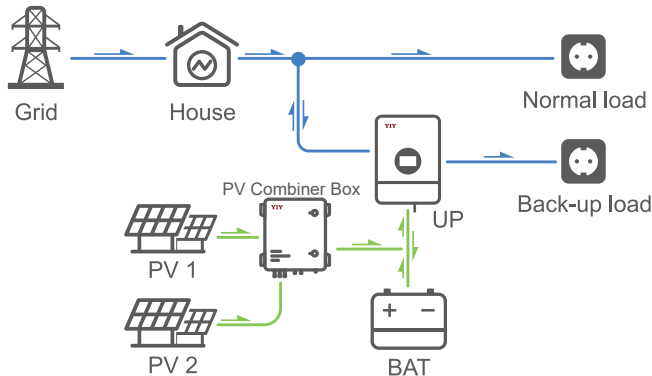




• Technology Topology



• Application



Basic Application :

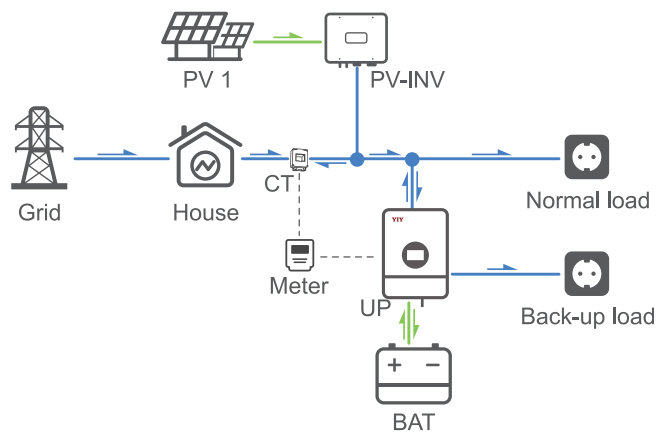
Applicable to scenarios with significant price differentials between peak and off-peak electricity rates, and stable peak and off-peak pricing periods. It operates automatically, saving customers on electricity costs and continuing to power critical loads in the event of a grid outage.

- Peak & Valley Reduction
- Back-up Power
- Load Balancing

AC Coupled Energy Storage System :

Suitable for existing solar PV systems, meeting the demand for energy storage configuration, maximizing the utilization of solar energy resources, and continuing to power critical loads in the event of a grid outage.

- Energy Self-Sufficiency
- Peak & Valley Reduction
- Back-up Power
- Load Balancing



• Technical Parameter

UP Series On/Off Grid Bi-Directional Inverter		
Model	UP 5048E	UP 6048E
Battery		
Battery Type	Lead-acid or Lithium-ion	
Battery Voltage Range	40-60V	
Max. Charge/Discharge Current	100A	
Charging Curve	3 Stages	
Charging Voltage	Depends on battery type (Schedule 1)	
Output AC (Back Up)		
Rated Output Power	5000W	6000W
Max. AC Output Power	5500W	6600W
Back Up Switch Time	<8ms	
Rated Output Voltage	230V (Single Phase)	
Rated Frequency	50Hz	
Rated Output Current	22.7A	27.3A
Input Voltage Waveform	Sine Wave	
THDv (@linear load)	2%	
No Load Loss	<50W	
Output AC(Grid side)		
Rated Output Power	5000W	6000W
Max. AC Output Power	5500W	6600W
Rated Grid Voltage	230V(177-267V/90-267V) (Single Phase)	
Rated Grid Frequency	50Hz/60Hz (47Hz-55Hz/57Hz-65Hz)	
Rated Output Current	22.7A	27.3A
Power Factor	>0.95	
THDi	<5%	
Efficiency		
Max. Efficiency	95%	
Protection		
Anti Islanding Protection	Integrated	
PV String Input Reverse Polarity Protection	Integrated	
Insulation Resistor Detection	Integrated	
Output Over Current Protection	Integrated	
Output Over Voltage Protection	Integrated	
Overtemperature Protection	Integrated	
Surge Protection	Integrated	
General Data		
Display	LED+LCD	
Communication	RS485/CAN	
Dimensions (W*D*H)	400*160*550mm	
Weight	/	
Installation Style	Wall Mounted	
Topology	Transformer Isolation	
Operating Temperature Range	-20~60°C (Derating treatment is required if the radiator is above 80°C)	
Humidity	0%~95% Relative Humidity (No Condensation)	
Cooling	Intelligent air cooling	
Protection Degree	IP20	
Max. Operation Altitude	2000m(>2000m Derating)	
Warranty	1 Year	

*Schedule 1: Battery Type And Charging Voltage		
Battery Type	Boost/Vdc	Float/Vdc
Gel USA	56Vdc	54.8Vdc
AGM 1	56.4Vdc	53.6Vdc
LiFePO4_LF14	57.6Vdc	54.4Vdc
MnNiCo_N14	54.8Vdc	54.8Vdc
Custom	Set the information according to the specification of the battery	