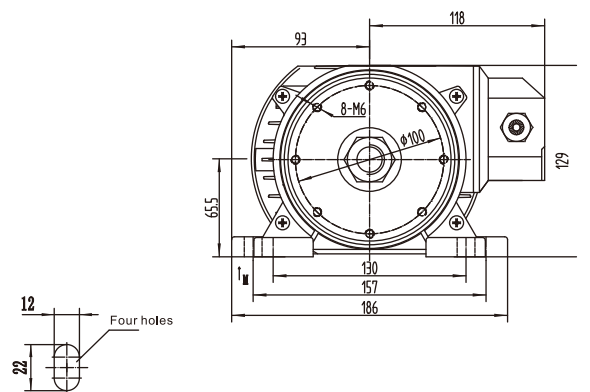
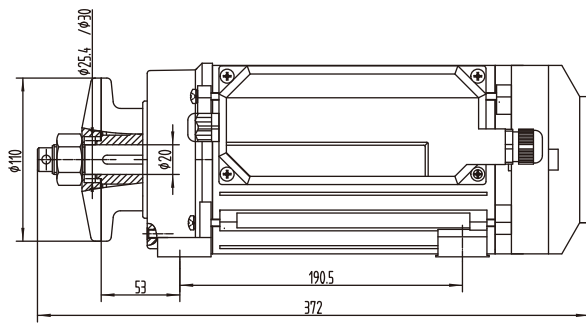
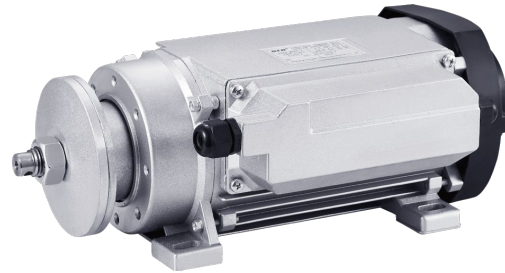
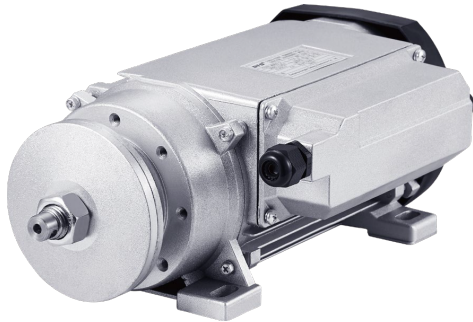


MR63 series

Cutting machine electric motor



Single phase cutting machine electric motor

Model	Rated power		Rated voltage (V)	Rated current (A)	Frequency (Hz)	Speed (r/min)	Eff ($\eta\%$)	Power Factor (Cos Φ)	IS	TS	Tmax
	(kW)	(HP)							IN	TN	TN
MR63-2	2.2	3	220	12.5	50	2800	79	0.95	4.5	0.44	1.7

Three phase cutting machine electric motor

Model	Rated power		Rated voltage (V)	Rated current (A)	Frequency (Hz)	Speed (r/min)	Eff ($\eta\%$)	Power Factor (Cos Φ)	IS	TS	Tmax
	(kW)	(HP)							IN	TN	TN
MR631-2	2.2	3	380	5.9	50	2800	74	0.85	7.8	2.2	2.3
MR632-2	3	4	380	7.2	50	2800	74.5	0.85	7.8	2.2	2.3