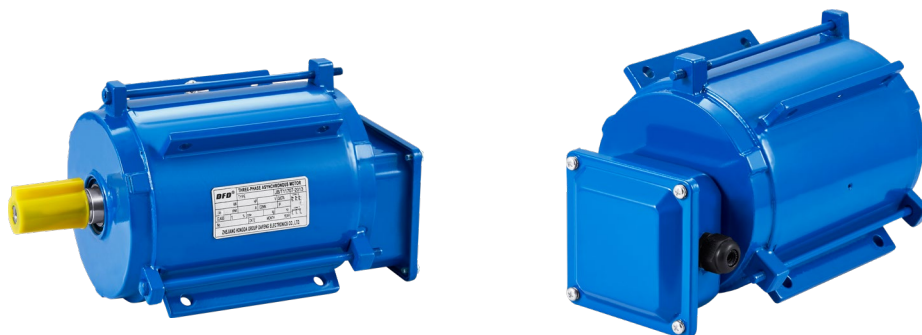


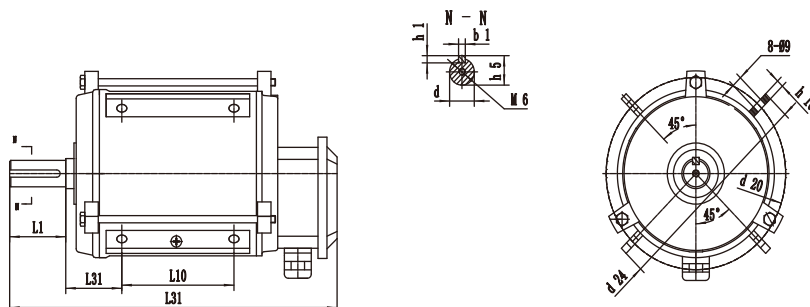
АИРП series

Russian single & three phase poultry farm motor



Product Specifications

Model	Rated power		Rated voltage (V)	Rated current (A)	Frequency (Hz)	Speed (r/min)	Eff (η%)	Power Factor (CosΦ)	IS	TS	Tmax
	(kW)	(HP)							IN	TN	TN
АИРП80А6	0.37	0.5	220/380	1.25	50	890	64	0.75	4.5	1.9	2
АИРП80В6	0.55	0.75	220/380	1.63	50	890	65	0.77	4.5	1.9	2
АИРП80С6	0.75	1	220/380	2.1	50	890	64	0.75	4.5	1.9	2
АИРП80В8	0.37	0.5	220/380	1.5	50	660	62	0.68	4	1.8	1.9
АИРП80С8	0.55	0.75	220/380	2.2	50	660	63	0.68	4	1.8	1.9
АИРПЕ80А6	0.37	0.5	220	2.5	50	890	68	0.96	5.5	1.7	1.7
АИРПЕ80В6	0.55	0.75	220	3.6	50	890	69	0.96	5.5	1.7	1.7
АИРПЕ80С6	0.75	1	220	4.7	50	890	72	0.96	5.5	1.7	1.7
АИРПЕ80D6	1.1	1.5	220	6.3	50	890	72	0.96	5.5	1.7	1.7



Model	Rated power		L1	L10	L30	L31	b1	h1	h5	h10	d1	d20	d24	d25
	(kW)	(HP)												
АИРП80А6	0.37	0.5	50	100	290	50	6	6	24.5	6	22	160	182	140
АИРП80В6	0.55	0.75	50	100	290	50	6	6	24.5	6	22	160	182	140
АИРП80С6	0.75	1	50	100	290	50	6	6	24.5	6	22	160	182	140
АИРП80В8	0.37	0.5	50	100	290	50	6	6	24.5	6	22	160	182	140
АИРП80С8	0.55	0.75	50	100	360	50	6	6	24.5	6	22	190	182	140
АИРПЕ80А6	0.37	0.5	50	100	300	50	6	6	24.5	6	22	160	182	140
АИРПЕ80В6	0.55	0.75	50	100	335	50	6	6	24.5	6	22	175	196	155
АИРПЕ80С6	0.75	1	50	100	335	50	6	6	24.5	6	22	175	196	155
АИРПЕ80D6	1.1	1.5	50	100	335	50	6	6	24.5	6	22	175	196	155