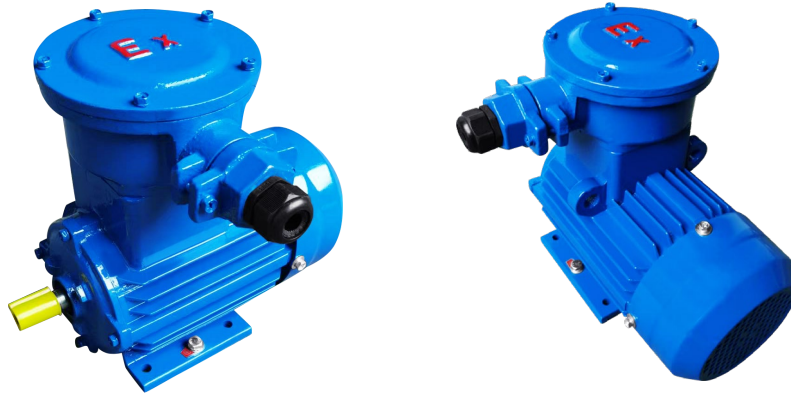


YBX3 series

Explosion-proof motor

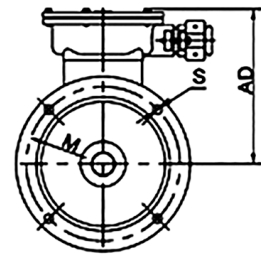
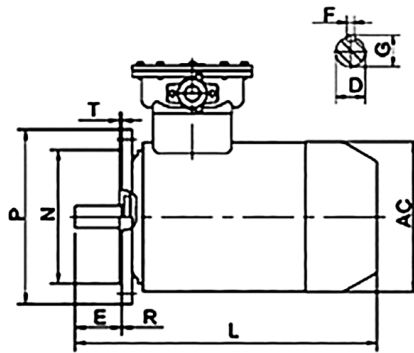
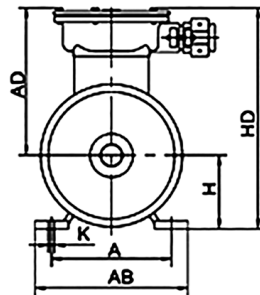
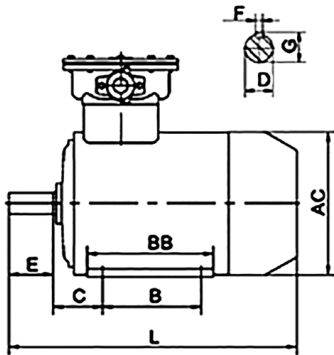


Product Specifications

Model	Rated power		Full Load(50Hz)						Rated Torque (Tn)	Tst/Tn	Tmax/Tn	Ist/In
			Input Current (A)			Eff	Power Factor	Speed				
	(kW)	(HP)	220V	380V	660V	$\eta\%$	Cos Φ	rpm	N.m			
YB3-80M1-2	0.75	1	2.98	1.72	/	80.7	0.82	2845	2.52	2.3	2.3	7.0
YB3-80M2-2	1.1	1.5	4.20	2.43	/	82.7	0.83	2845	3.69	2.2	2.3	7.0
YB3-90S-2	1.5	2	5.57	3.22	/	84.2	0.84	2855	5.02	2.2	2.3	7.6
YB3-90L-2	2.2	3	7.92	4.58	/	85.9	0.85	2855	7.36	2.2	2.3	7.6
YB3-100L-2	3	4	10.47	6.02	/	87.1	0.87	2885	9.93	2.2	2.3	7.8
YB3-112M-2	4	5.5	/	7.84	4.51	88.1	0.88	2890	13.22	2.2	2.3	7.9
YB3-132S1-2	5.5	7.5	/	10.6	6.13	89.2	0.88	2910	18.05	2.0	2.3	7.9
YB3-132S2-2	7.5	10	/	14.4	8.27	90.1	0.88	2910	24.61	2.0	2.3	7.9
YB3-160M1-2	11	15	/	20.6	11.86	91.2	0.89	2935	35.79	2.0	2.3	8.0
YB3-160M2-2	15	20	/	27.9	16.04	91.9	0.89	2935	48.8	2.0	2.3	8.0
YB3-160L-2	18.5	25	/	34.2	19.68	92.4	0.89	2935	60.19	2.0	2.3	8.0
YB3-80M1-4	0.55	0.75	3.18	1.84	/	77.2	0.75	1400	3.75	2.3	2.3	6.6
YB3-80M2-4	0.75	1	3.18	1.84	/	82.5	0.75	1400	5.12	2.3	2.3	6.6
YB3-90S-4	1.1	1.5	4.52	2.61	/	84.1	0.76	1410	7.45	2.3	2.3	6.8
YB3-90L-4	1.5	2	6.00	3.47	/	85.3	0.77	1410	10.16	2.3	2.3	6.8
YB3-100L1-4	2.2	3	8.23	4.76	/	86.7	0.81	1430	14.69	2.3	2.3	7.6
YB3-100L2-4	3	4	10.96	6.34	/	87.7	0.82	1430	20.03	2.3	2.3	7.6
YB3-112M-4	4	5.5	/	8.37	4.82	88.6	0.82	1445	26.43	2.2	2.3	7.6
YB3-132S-4	5.5	7.5	/	11.2	6.47	89.6	0.83	1445	36.35	2.0	2.3	7.5
YB3-132M-4	7.5	10	/	15.0	8.64	90.4	0.84	1445	49.56	2.0	2.3	7.5
YB3-160M-4	11	15	/	21.5	12.39	91.4	0.85	1465	71.70	2.2	2.3	7.7
YB3-160L-4	15	20	/	28.8	16.57	92.1	0.86	1465	97.77	2.2	2.3	7.7
YB3-90S-6	0.75	1	3.51	2.03	/	78.9	0.71	920	7.78	2.0	2.1	6.0
YB3-90L-6	1.1	1.5	4.90	2.83	/	81.0	0.73	920	11.42	2.0	2.1	6.0
YB3-100L-6	1.5	2	6.54	3.78	/	82.5	0.73	935	15.32	2.0	2.1	6.5
YB3-112M-6	2.2	3	9.27	5.36	/	84.3	0.74	945	22.23	2.0	2.1	6.5
YB3-132S-6	3	4	12.46	7.20	/	85.6	0.74	965	29.69	2.0	2.1	6.8
YB3-132M1-6	4	5.5	/	9.46	5.45	86.8	0.74	965	39.58	2.0	2.1	6.8
YB3-132M2-6	5.5	7.5	/	12.7	7.29	88.0	0.75	965	54.42	2.0	2.1	6.8
YB3-160M-6	7.5	10	/	16.2	9.32	89.1	0.79	975	73.45	2.0	2.1	7.0
YB3-160L-6	11	15	/	23.1	13.32	90.3	0.80	975	107.7	2.0	2.1	7.0

YBX3 series

Explosion-proof motor



Frame size	A	B	C	D	E	F	G	H	K	M	N	P	S	T	AB	AC	BB	HD	L
80M	125	100	50	19	40	6	15.5	80	10	165	130	200	12	3.5	162	168	132	295	325
90S	140		56	24	50	8	20	90							215	180	250	178	186
90L	160	125	63	28	60		24	100	12	15	4	200	15	4	200	210	178	342	445
100L		140				70											112	215	180
112M	190	140	70	28	60	24	100	112	12	15	4	200	15	4	200	210	192	405	488
132S	216																89	38	80
132M	254	178	108	42	110	12	37	160	15	300	250	350	19	5	326	318	260	475	645
160M		210															302	685	
160L	254	254	108	42	110	12	37	160	15	300	250	350	19	5	326	318	302	475	685