

本目录各项产品因印刷及摄影之故,与实物可能有所差异,请事先了解。  
本目录所有产品,以实物为准,如有更改,恕不另行通知。  
本目录版权所有,翻版必究

Please be aware that all colors of the articles listed in the catalogue may differ from that of the real objects due to photography and printing process.  
All articles listed in the catalogue are subject to the objects, should any change, correction and alteration on them be occurred, please be noted that it should not be our obligation to inform you of it.  
All rights reserved, no copy allowed.

**KESSY** Construction Hardware Specialist  
科希·建筑五金



## 佛山市科希五金制品有限公司

FOSHAN KESSY HARDWARE CO.,LTD

Add: No.10 Yinshi Rd., Shishan Town Nanhai District, Foshan city, Guangdong Province, China

Tel: +86-577-67157119

Fax: +86-577-66967163

Email: info@kessy.hk

Web: www.kessyhardware.com



科希创造艺术品  
KESSY MAKE ARTWORK



# KESSY

Construction Hardware Specialist

## 公司简介

### ABOUT KESSY

科希五金是一家致力于建筑五金研发，制造和销售的专业性企业。公司全面通过和推行 ISO9001, ISO14001 认证体系管理标准，拥有门窗五金、家具五金以及相关定制五金配件系统生产基地。

秉承“诚信”和“专业”的经营理念，惟其诚信才能立足，惟其专业才能竞争，科希采用国际先进生产工艺、一流的管理团队、完善的质检体系，确保所有产品质量和性能都达到国际先进水平。

科希一直努力践行着“科希创造艺术品”的企业使命，以技术创新为己任，通过不断的提升和持续的进步，塑造行业标杆，创建世界品牌。

KESSY Hardware, an innovative and professional company engaged in research, development, manufacture, and marketing of architectural hardware. KESSY has been fully qualified for implementation of ISO9001, ISO14001, with the system factory for door & window hardware, furniture hardware, and related custom made hardware.

Adhering to the "integrity" and "professional" business philosophy, KESSY adopt advanced integrated manufacturing process together with discipline and stringent QC processes, now able to control every stage of production and ensure consistently high quality.

KESSY MAKE ARTWORK, fulfilling this company mission, KESSY take the technical innovation as the responsibility, through unceasing enhancement and the continuous progress, strive to become the leader of architectural hardware industry and famous all over the world.

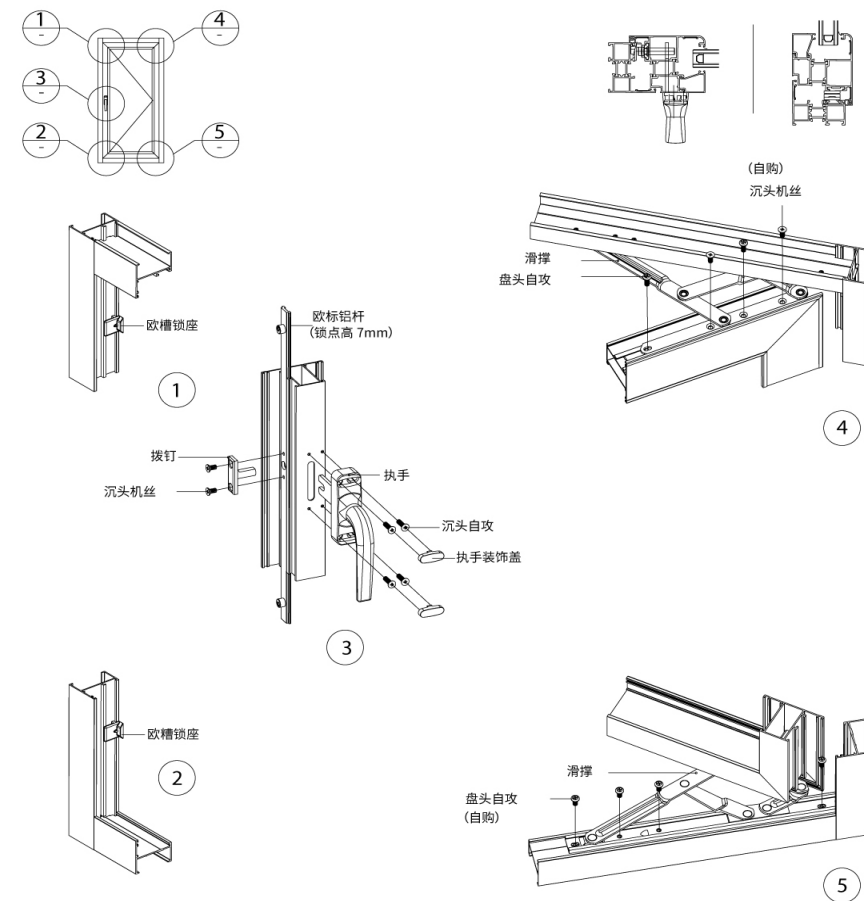
# DOOR AND WINDOW SYSTEM SERIES

## 门窗系统系列



### 外平开窗安装示意图

### Installation diagram of casement window



#### 欧标外平开窗五金系统特性:

- 1、本产品适用于隔热与非隔热的欧标 20 槽口铝型材。
- 2、不需要破坏外部胶条，窗户的密封性更好。
- 3、可以控制窗户的最大开启角度。
- 4、平开滑撑结构严谨，开启力小，采用优质的不锈钢 304 材质，耐用性更强。
- 5、执手外观一般可根据客户的需求来选择，但具体需结合与铝型材的配套。
- 6、五金件、胶条与型材等完美的结合，使窗户的各个性能更好。

#### The characteristics of the hardware system of the external window of the European standard:

- 1.This product is suitable for heat insulation and heat insulation of the non European standard 20 slot aluminum profile.
- 2.Do not need to break the external glue, the window of the better sealing.
- 3.Can control the maximum angle of opening the window.
- 4.Flat open sliding support structure is rigorous, open the force is small, the use of high-quality stainless steel 304 material, more durable.
- 5.Handle the general appearance according to the needs of customers to choose, but the specific combination of aluminum section and supporting.
- 6.metal parts, rubber and plastic materials, such as the perfect combination, so that the performance of the window better.

窗执手系列  
WINDOW HANDLE SERIES



CZS-01



CZS-02



CZS-02NY



CZS-03



CZS-04



CZS-05



CZS-06



CZS-08



CZS-10



CZS-12



CZS-13



CZS-14

窗执手系列  
WINDOW HANDLE SERIES



CZS-15



CZS-18



CZS-22



CZS-23



CZS-24



CZS-25



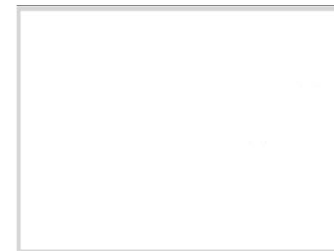
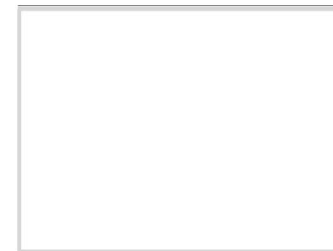
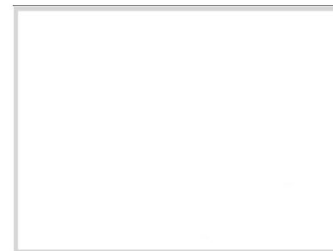
CZS-27



CZS-28



CZS-30



门执手系列  
 DOOR HANDLE SERIES



MZS-01



MZS-03



MZS-04



MZS-05



MZS-06



MZS-07



MZS-08



MZS-09



MZS-11



MZS-12

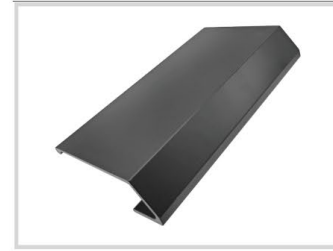


MZS-13



MZS-14

门执手系列  
 DOOR HANDLE SERIES



MZS-15



MZS-16



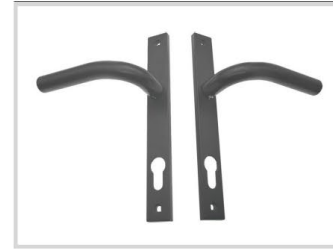
MZS-20



MZS-21



MZS-22



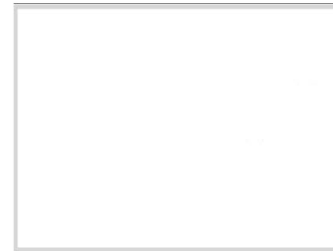
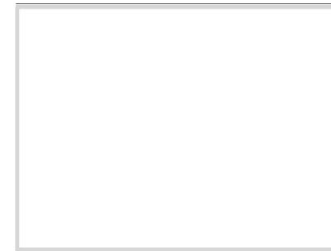
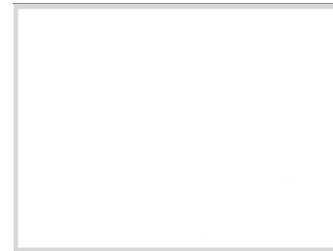
MZS-23



MZS-25



MZS-26



推拉锁系列  
SLIDING LOCK SERIES



CS-01



CS-02



CS-06



CS-08



CS-09



CS-10



CS-11



CS-12



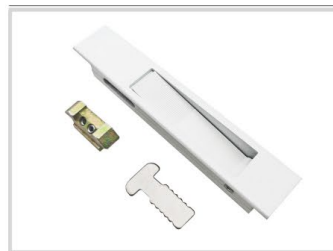
CS-13



CS-14



CS-15



CS-16

推拉锁系列

SLIDING LOCK SERIES



CS-17



CS-18



CS-19



CS-20



CS-21



CS-22



CS-23



CS-24



CS-25



CS-26



TLS190



TLS95

推拉锁系列  
SLIDING LOCK SERIES



**TLS201** Deluxe single joint without key



**TLS202** Deluxe single joint with key



**TLS203** Deluxe double joint without key



**TLS204** Deluxe double joint with key

合页系列  
HINGE SERIES



**BH-01**



**BH-02**



**BH-03**



**BH-04**



**FH-01**



**FH-01SS**



**FH-02**



**FH-03**



**FH-04**



**HY-03**



**HY-04**



**HY-05**

合页系列  
HINGE SERIES



HY-06



HY-08



HY-09



HY-10



HY-11



HY-12



HY-13



HY-14



HY-15



HY-16



HY-17



HY-18SS

滑轮系列  
ROLLER SERIES



W-01



W-02



W-03



W-04



W-05



W-06



W-07



W-08



W-09



W-10



W-11



W-12

滑轮系列  
 ROLLER SERIES



W-13



W-14



W-15



W-16



W-17



W-17D



W-18SS



W-18YP



W-19SS



W-19YP



W-20NY



W-20BA

滑轮系列  
 ROLLER SERIES



W-21



W-21D



W-22



W-22D



W-23



W-23D



W-24



W-25



W-26



W-27



W-28



W-29

**滑轮系列**  
**ROLLER SERIES**



**W-29D**



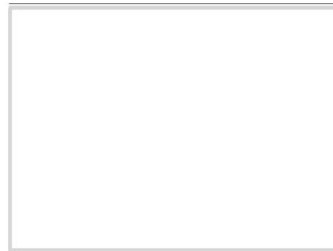
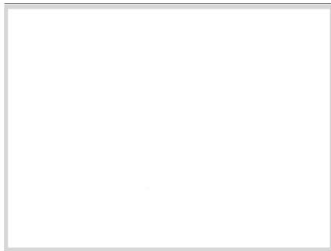
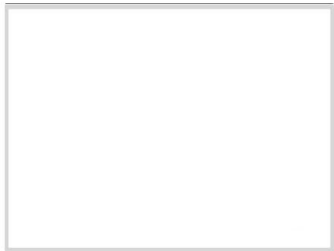
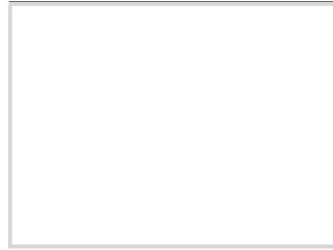
**W-30**



**W-31**



**W-31D**



**插销系列**

**FLUSH BOLT SERIES**



**CX-01**



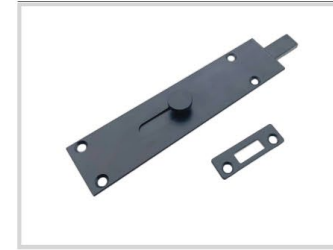
**CX-02**



**CX-03**



**CX-04**



**CX-05**



**CX-06**



**CX-07**



**CX-08**



**CX-09**



**CX-10**



**CX-11**



**CX-12**

锁体、锁芯系列

MORTISE LOCK SERIES



KC85A



KC85B



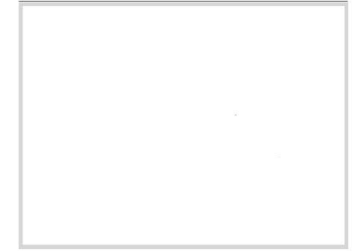
KC85C



SX70A



SX90



KC85D



KC153U



KC155U



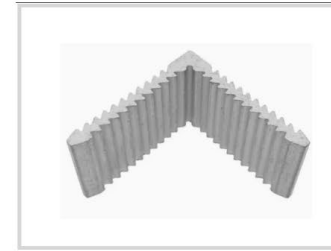
KC41054



KC41055



SX60A



JM01



JM02



JM03



SX60AS



SX40A



SX70ADS



JM04



JM05



NA33

角码系列

CORNER CLIT SERIES

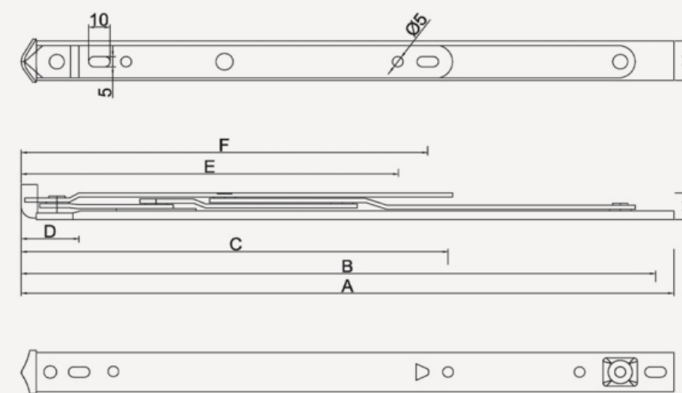
# FRICTION STAY SERIES 窗撑系列



## 19 ROUND GROOVE STAINLESS STEEL FRICTION STAY 19圆槽不锈钢窗撑



### 技术参数 TECHNICAL PARAMETERS



1. 采用优质不锈钢制造
2. 符合中国 JG/T127-2007 《建筑门窗五金-滑撑》标准
3. 产品随着技术的改进, 相关参数会有所变化, 具体尺寸以实物为准

1. Made by high quality stainless steel
2. Meet the standard of China JG/T127-2007 "Construction Door & Window - Friction stay"
3. KESSY reserve the right to interpret and change the specifications and illustrates details without prior notification

### 规格 SPECIFICATION

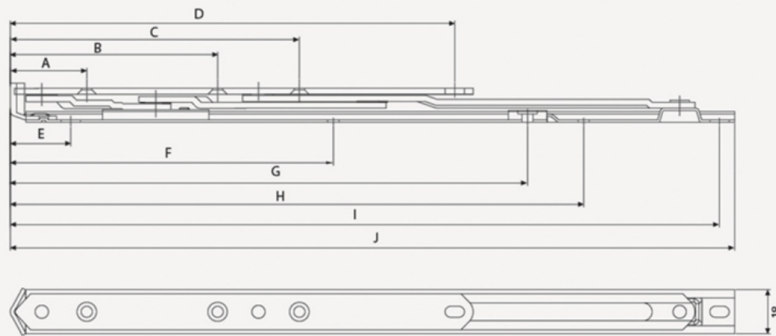
规格 SPECIFICATION	A	B	C	D	E	F	G	窗最重(kg) Bearing Capacity	开启角度 Open Angle	规格 SPECIFICATION	A	B	C	D	E	F	G	窗最重(kg) Bearing Capacity	开启角度 Open Angle
8"X2.0	203	194	143	33	135	146	13	9	65°-2°	16"X2.0	402	395	280	38	230	242	13	23	90°-2°
8"X2.5	203	194	143	33	135	146	13	10	65°-2°	16"X2.5	402	395	280	38	230	242	14.5	24	90°-2°
8"X3.0	203	194	143	33	135	146	13	12	65°-2°	16"X3.0	402	395	280	38	230	242	16	25	90°-2°
10"X2.0	254	245	214	36	172	184	13	13	90°-2°	18"X2.0	457	450	248	38	247	258.5	13	26	90°-2°
10"X2.5	254	245	214	36	172	184	14.5	14	90°-2°	18"X2.5	457	450	248	38	247	258.5	14.5	27	90°-2°
10"X3.0	254	245	214	36	172	184	16	16	90°-2°	18"X3.0	457	450	248	38	247	258.5	16	28	90°-2°
12"X2.0	304	295	192	36	176	190	13	17	90°-2°	20"X2.0	508	501	245	38	178	282.5	13	29	55°-2°
12"X2.5	304	295	192	36	176	190	14.5	18	90°-2°	20"X2.5	508	501	245	38	178	282.5	14.5	30	55°-2°
12"X3.0	304	295	192	36	176	190	16	19	90°-2°	20"X3.0	508	501	245	38	178	282.5	16	31	55°-2°
14"X2.0	355	341	244	31.5	218	230	13	20	90°-2°	24"X2.0	609	602	270	38	247	351	13	32	50°-2°
14"X2.5	355	341	244	31.5	218	230	14.5	21	90°-2°	24"X2.5	609	602	270	38	247	351	14.5	33	50°-2°
14"X3.0	355	341	244	31.5	218	230	16	22	90°-2°	24"X3.0	609	602	270	38	247	351	16	34	50°-2°

## 18 SQUARE GROOVE HEAVY-DUTY STAINLESS STEEL FRICTION STAY

18方槽重型不锈钢窗撑



### 技术参数 TECHNICAL PARAMETERS



1. 采用优质不锈钢制造
2. 符合中国 JG/T127-2007 《建筑门窗五金-滑撑》标准
3. 产品随着技术的改进，相关参数会有所变化，具体尺寸以实物为准

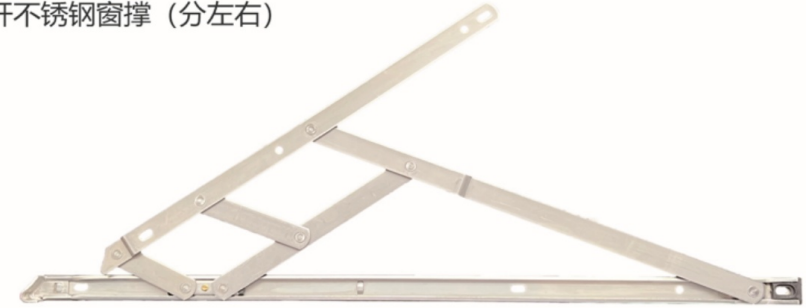
1. Made by high quality stainless steel
2. Meet the standard of China JG/T127-2007 "Construction Door & Window - Friction stay"
3. KESSY reserve the right to interpret and change the specifications and illustrates details without prior notification

### 规格 SPECIFICATION

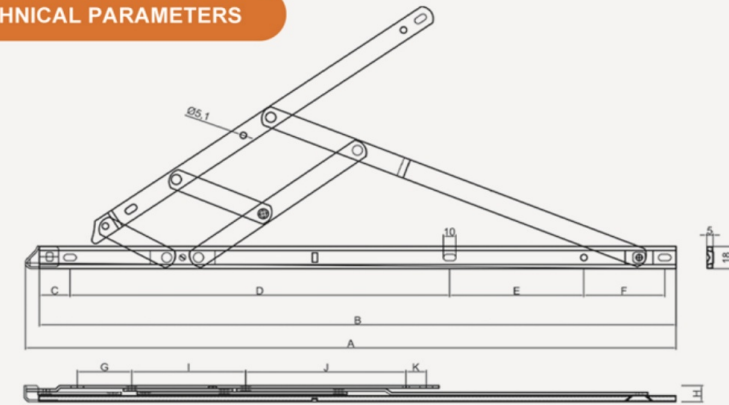
规格 SPECIFICATION	A	B	C	D	E	F	G	H	I	J	K	L	开启角度 Open Angle	窗最重(kg) Bearing Capacity	窗最高(mm) Max Sash Height	窗最宽(mm) Max Sash Width
FC18-8"	210	32	—	—	153	202	42.5	16.5	—	—	169	155.5	65°-2°	13	1500	400
FC18-10"	261	32	—	—	194	253	42.5	16.5	60.5	—	191.1	177.6	90°-2°	16	1500	500
FC18-12"	304	32	43.5	217	245.5	296	42.5	16.5	60.5	—	210	196.5	90°-2°	19	1500	600
FC18-14"	355	32	43.5	256	287.5	347	42.5	16.5	60.5	—	243	229.5	90°-2°	21	1500	700
FC18-16"	404	32	43.5	261	292	396	42.5	16.5	60.5	—	243	229.5	90°-2°	24	1500	800
FC18-18"	458	32	43.5	320	349	450	42.5	16.5	—	149	285.5	272	85°-2°	27	1500	900
FC18-20"	505	32	43.5	280	309	497	42.5	16.5	60.5	162.5	302	289.5	65°-2°	30	1600	1000
FC18-22"	557	32	43.5	259	288	549	42.5	16.5	60.5	196.5	320	303.5	55°-2°	33	1600	1100
FC18-24"	612	32	43.5	291	320	604	42.5	16.5	60.5	196.5	355.5	339	65°-2°	36	1800	1200

## 18 SQUARE GROOVE SINGLE ACTION STAINLESS STEEL FRICTION STAY (LEFT AND RIGHT)

18方槽单开不锈钢窗撑 (分左右)



### 技术参数 TECHNICAL PARAMETERS



1. 采用优质不锈钢制造
2. 符合中国 JG/T127-2007 《建筑门窗五金-滑撑》标准
3. 产品随着技术的改进，相关参数会有所变化，具体尺寸以实物为准

1. Made by high quality stainless steel
2. Meet the standard of China JG/T127-2007 "Construction Door & Window - Friction stay"
3. KESSY reserve the right to interpret and change the specifications and illustrates details without prior notification

### 规格 SPECIFICATION

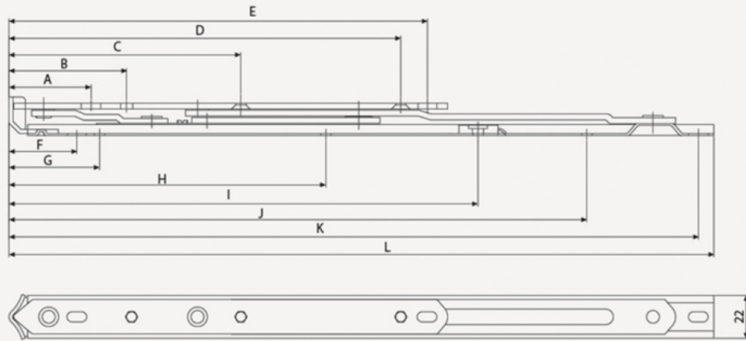
规格 SPECIFICATION	A	B	C	D	E	F	G	H	I	J	K	最大通风高度 Max Vent Height	最大排气口重量 Mac Vent Weight	最大倾角 Max Opening Angle
FC18S-12	313	302	25	186	—	82	21	13	74	83	16	450mm	20kg	55°
FC18S-16	411	400	24	212	—	156	19	13	101	90	16	600mm	25kg	60°
FC18S-20	512	501	24	299	106	64	43	13	90	126	16	750mm	30kg	60°

## 22 SQUARE GROOVE HEAVY-DUTY STAINLESS STEEL FRICTION STAY

22方槽重型不锈钢窗撑



### 技术参数 TECHNICAL PARAMETERS



1. 采用优质不锈钢制造
2. 符合中国JG/T127-2007《建筑门窗五金-滑撑》标准
3. 产品随着技术的改进, 相关参数会有所变化, 具体尺寸以实物为准

1. Made by high quality stainless steel
2. Meet the standard of China JG/T127-2007"Construction Door & Window - Friction stay"
3. KESSEY reserve the right to interpret and change the specifications and illustrates details without prior notification

### 规格 SPECIFICATION

规格 SPECIFICATION	A	B	C	D	E	F	G	H	I	J	K	L	开启角度 Open Angle	窗最重(kg) Bearing Capacity	窗最高(mm) Max Sash Height	窗最宽(mm) Max Sash Width
FC22-8"	210	32	—	—	153	202	42.5	16.5	—	—	155.5	169	65°-2°	15	1500	400
FC22-10"	261	32	—	—	194	253	42.5	16.5	60.5	—	177.6	191.1	90°-2°	20	1500	500
FC22-12"	304	32	43.5	217	245.5	296	42.5	16.5	60.5	—	196.5	210	90°-2°	25	1500	600
FC22-14"	355	32	43.5	256	287.5	347	42.5	16.5	60.5	—	229.5	243	90°-2°	30	1500	650
FC22-16"	404	32	43.5	261	292	396	42.5	16.5	60.5	—	229.5	243	90°-2°	35	1500	700
FC22-18"	458	32	43.5	320	349	450	42.5	16.5	—	149	272	285.5	85°-2°	40	1500	750
FC22-20"	505	32	43.5	280	309	497	42.5	16.5	60.5	162.5	289.5	302	65°-2°	45	1500	800
FC22-22"	557	32	43.5	259	288	549	42.5	16.5	60.5	196.5	303.5	320	55°-2°	50	1500	850
FC22-24"	612	32	43.5	291	320	604	42.5	16.5	60.5	196.5	339	355.5	65°-2°	55	1500	900

## LG01 / LG02 WINDOW STOPPER

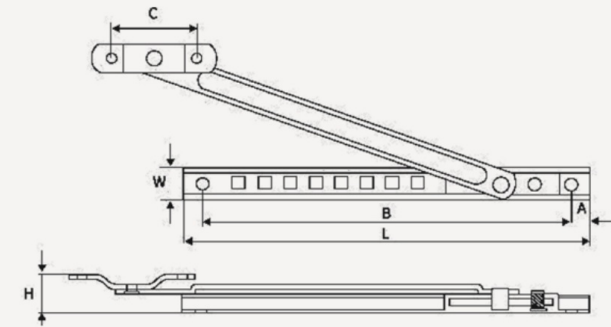
LG01 / LG02风撑



LG01

LG02

### 技术参数 TECHNICAL PARAMETERS



1. 采用优质不锈钢制造
2. 符合中国JG/T127-2007《建筑门窗五金-滑撑》标准
3. 产品随着技术的改进, 相关参数会有所变化, 具体尺寸以实物为准

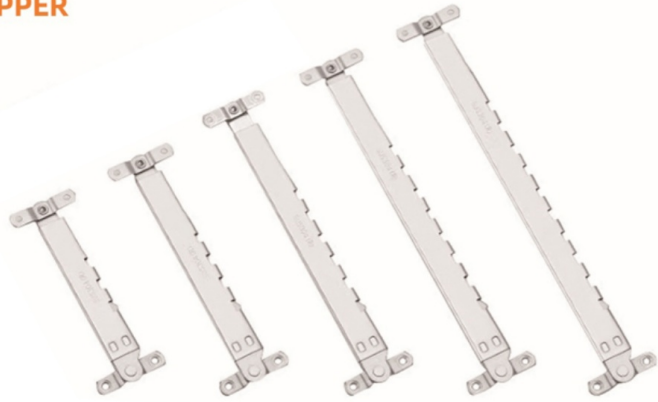
1. Made by high quality stainless steel
2. Meet the standard of China JG/T127-2007"Construction Door & Window - Friction stay"
3. KESSEY reserve the right to interpret and change the specifications and illustrates details without prior notification

### 规格 SPECIFICATION

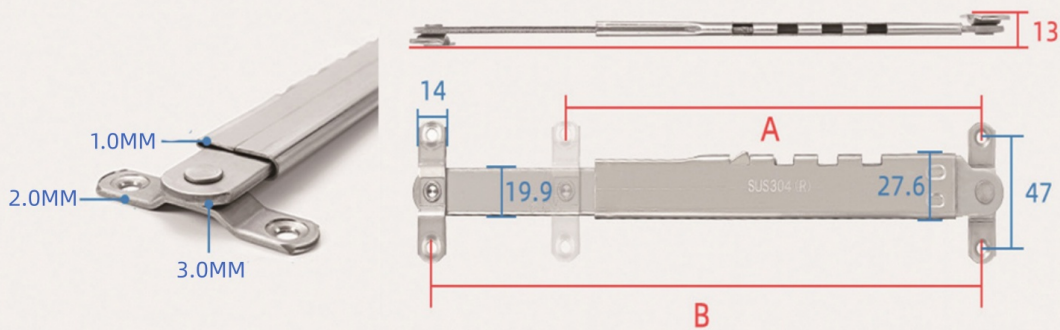
LG01						LG02					
规格 Specification	总长度(L) Length	螺丝孔距(B) Hole Distance	高度(H) Height	底宽(W) Windth	固定折片孔距(C) Hole Distance	规格 Specification	总长度(L) Length	螺丝孔距(B) Hole Distance	高度(H) Height	底宽(W) Windth	固定折片孔距(C) Hole Distance
6"	152	135	16/21	13.5/18/22	48	6"	152	135	16/21	13.5/18/22	48
8"	203	185	16/21	13.5/18/22	48	8"	203	185	16/21	13.5/18/22	48
10"	254	236	16/21	13.5/18/22	48	10"	254	236	16/21	13.5/18/22	48
12"	304	286	16/21	13.5/18/22	48	12"	304	286	16/21	13.5/18/22	48
14"	355	337	16/21	13.5/18/22	48	14"	355	337	16/21	13.5/18/22	48
16"	406	388	16/21	13.5/18/22	48	16"	406	388	16/21	13.5/18/22	48

**LG03 WINDOW STOPPER**

LG03 风撑



**技术参数 TECHNICAL PARAMETERS**



- 1.采用优质不锈钢制造
- 2.符合中国JG/T127-2007《建筑门窗五金-滑撑》标准
- 3.产品随着技术的改进，相关参数会有所变化，具体尺寸以实物为准

1. Made by high quality stainless steel
2. Meet the standard of China JG/T127-2007 "Construction Door & Window - Friction stay"
3. KESSEY reserve the right to interpret and change the specifications and illustrates details without prior notification

**规格 SPECIFICATION**

size data	6inch	8inch	10inch	12inch	14inch
original 收起长度A	164	208	260	304	358
spread 伸展长度B	207	274	369	462	557
gears 档位数量	3	4	6	8	10



**PK01**



**RUBBER**



**WOOL PILE**



**BRUSH STRIP**



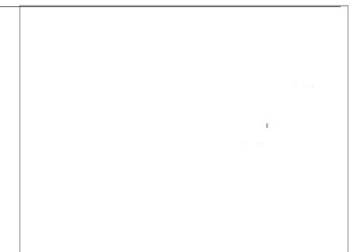
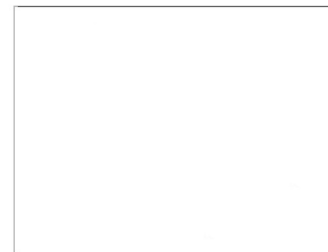
**RIVET**



**FOAM TAPE**



**MD01**



不锈钢拉手系列  
STAINLESS STEEL HANDLE SERIES

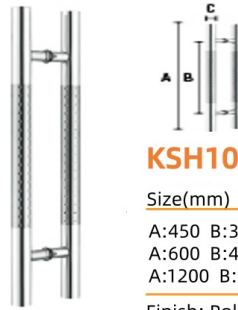


**KSH101**

Size(mm)

A:450 B:300 C:Ø38  
A:600 B:400 C:Ø38  
A:1200 B:800 C:Ø38

Finish: Polished+Satin



**KSH101S**

Size(mm)

A:450 B:300 C:Ø38  
A:600 B:400 C:Ø38  
A:1200 B:800 C:Ø38

Finish: Polished+Satin+Star



**KSH102**

Size(mm)

A:450 B:300 C:Ø32  
A:600 B:400 C:Ø38

Finish: Polished+Satin



**KSH104S**

Size(mm)

A:600 B:400 C:Ø32  
A:1200 B:800 C:Ø32

Finish: Polished+Satin+Star



**KSH105**

Size(mm)

A:800 B:600 C:45x25  
A:1200 B:800 C:45x25

Finish: Polished+Satin



**KSH106**

Size(mm)

A:600 B:450 C:Ø38  
A:1200 B:900 C:Ø38

Finish: Polished+Satin



**KSH107**

Size(mm)

A:600 B:400 C:Ø38  
A:1200 B:800 C:Ø38

Finish: Polished+Satin



**KSH109**

Size(mm)

A:600 B:450 C:Ø32  
A:1200 B:900 C:Ø38

Finish: Satin

不锈钢拉手系列

STAINLESS STEEL HANDLE SERIES

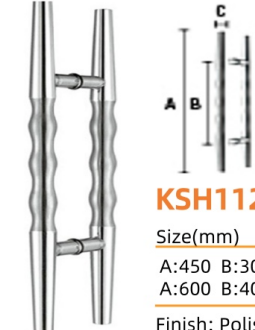


**KSH110**

Size(mm)

A:600 B:400 C:Ø32  
A:800 B:600 C:Ø38

Finish: Polished+Satin



**KSH112**

Size(mm)

A:450 B:300 C:Ø32  
A:600 B:400 C:Ø38

Finish: Polished/Satin



**KSH113**

Size(mm)

A:300 B:150 C:Ø25  
A:600 B:300 C:Ø38

Finish: Polished+Satin



**KSH114**

Size(mm)

A:300 B:150 C:Ø25

Finish: Polished+Satin



**KSH115**

Size(mm)

A:350 B:200 C:Ø25  
A:450 B:300 C:Ø32

Finish: Polished+Satin



**KSH116**

Size(mm)

A:450 B:200 C:Ø32  
A:600 B:300 C:Ø38

Finish: Polished+Satin



**KSH117**

Size(mm)

A:800 B:768 C:Ø38  
A:1200 B:1168 C:Ø38

Finish: Polished+Satin



**KSH117S**

Size(mm)

A:1200 B:1168 C:Ø38  
A:1500 B:1468 C:Ø38

Finish: Polished+Satin+Star



**KSH1185**

Size(mm)

A:600 B:552 C:∅38  
A:800 B:752 C:∅38

Finish: Polished+Satin+Star



**KSH1119**

Size(mm)

A:800 B:775 C:38x25  
A:1200 B:1175 C:38\*25

Finish: Polished/Satin



**KSH121**

Size(mm)

A:400 B:375 C:∅25

Finish: Polished



**KSH122**

Size(mm)

A:300 B:275 C:∅25  
A:332 B:300 C:∅32

Finish: Polished



**KSH123**

Size(mm)

A:300 B:275 C:∅25  
A:332 B:300 C:∅32

Finish: Polished



**KSH125**

Size(mm)

A:1200 B:1175 C:25x38  
A:1800 B:1775 C:25x38

Finish: Polished/Satin



**KSH126**

Size(mm)

A:600 B:400 C:30x30  
A:1200 B:800 C:38\*38

Finish: Polished/Satin



**KSH127**

Size(mm)

A:450 B:418 C:∅32  
A:600 B:562 C:∅38

Finish: Polished+Satin



**KSH128**

Size(mm)

A:300 B:275 C:∅25  
A:600 B:568 C:∅32

Finish: Polished+Satin



**KSH129**

Size(mm)

A:225 B:200 C:∅25  
A:300 B:275 C:∅25

Finish: Polished



**KSH130**

Size(mm)

A:450 B:300 C:∅25  
A:600 B:400 C:∅32

Finish: Polished/Satin



**KSH131**

Size(mm)

A:419X219 B:400X200 C:∅219  
A:500X300 B:475X275 C:∅25

Finish: Polished+Satin



**KSH132**

Size(mm)

A:300 B:275 C:∅25  
A:600 B:568 C:∅32

Finish: Polished/Satin



**KSH133**

Size(mm)

A:450 B:300 C:∅32  
A:560 B:300 C:∅32

Finish: Polished/Satin



**KSH134**

Size(mm)

A:600 B:450 C:∅32  
A:1200 B:900 C:∅38

Finish: Polished+Satin

浴室夹系列

SHOWER HINGE SERIES



KY101



KY102



KY103



KY104



KY105



KY106



KY107



KY201



KY202



KY203



KY204



KY205



KY206



KY207



KY208

固定夹系列  
FIX CLAMP SERIES



GD101



GD102



GD103



GD104



GD105



GD201

**固定夹系列**  
**FIX CLAMP SERIES**



**GD202**



**GD203**



**GD204**



**GD205**



**GD301**



**GD302**



**GD303**



**GD304**



**GD305**

**玻璃夹系列**  
**GLASS CLAMP SERIES**



**KB01F**



**KB01H**



**KB02F**



**KB02H**



**KB03F**



**KB03H**



**KB04F**



**KB04H**



**KB05F**



**KB05H**



**KB06F**



**KB06H**

**门夹系列**  
**DOOR CLAMP SERIES**



**M101**



**M102**



**M103**



**M104**



**M105**



**M106**

**闭门器系列**  
**DOOR CLOSER SERIES**



**DC982**



**DC051**



**DC072**

**吊轮系列**

**HANGING WHEEL SERIES**



**KH100**

Door hanging wheel

Material: Stainless steel + nylon  
Finish: Sanding, smooth, blue  
Scope: All kind of hanging door  
Maximum weight: 80kg



**KH101**

Door hanging wheel

Material: Stainless steel + nylon  
Finish: Sanding, smooth, blue  
Scope: All kind of hanging door  
Maximum weight: 120kg

**地轴系列**

**FLOOR SPRING SERIES**

**FH84**

Floor spring



**FH65**

Floor spring



**FH7300**

Floor spring

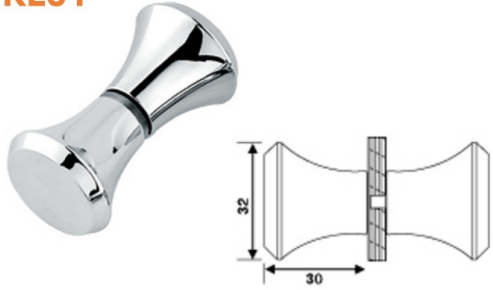


**FH868**

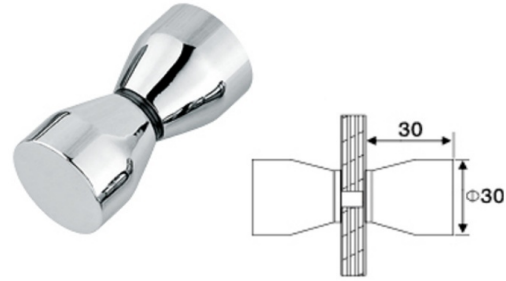
Floor spring



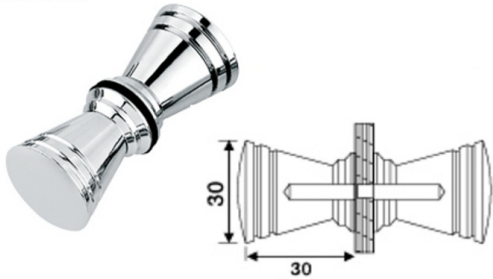
KL01



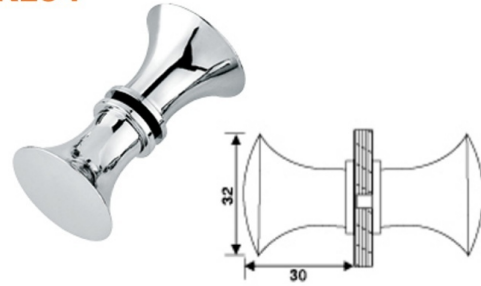
KL02



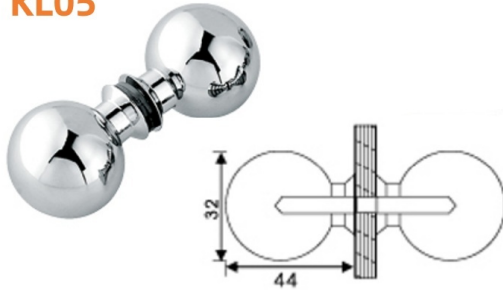
KL03



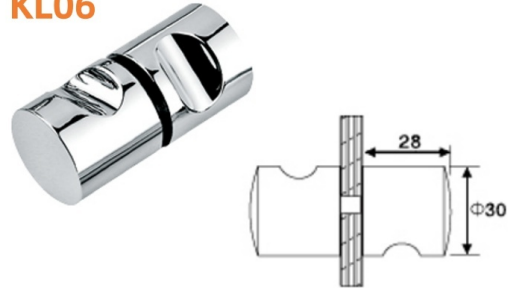
KL04



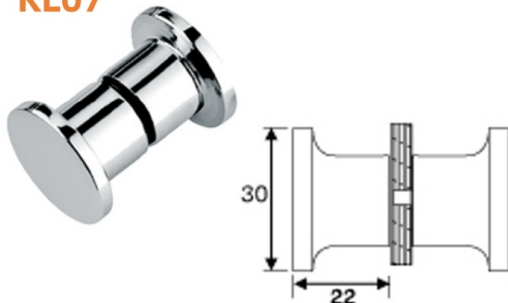
KL05



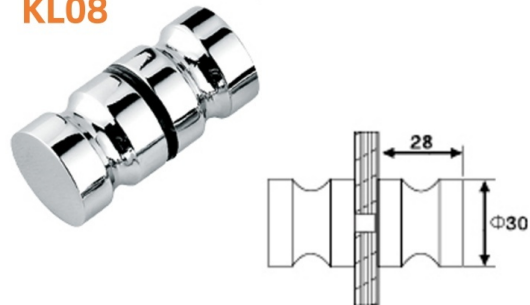
KL06



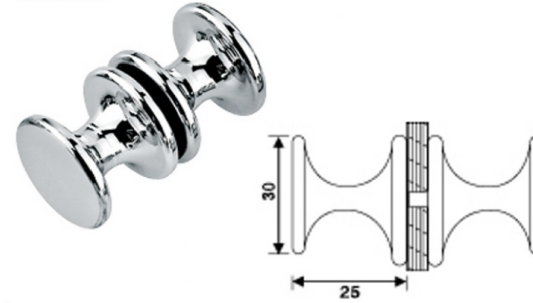
KL07



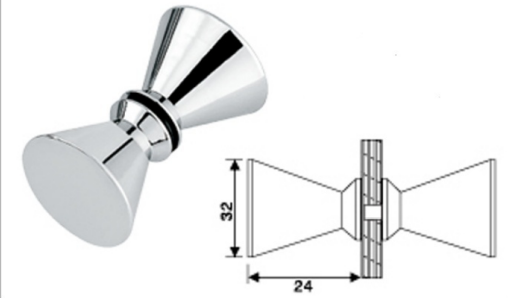
KL08



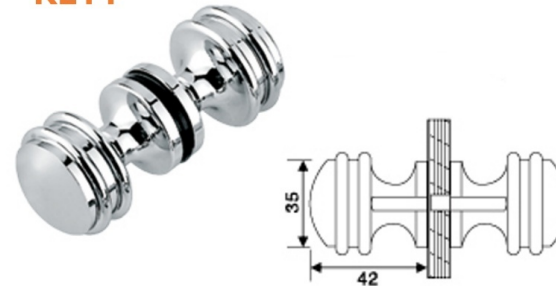
KL09



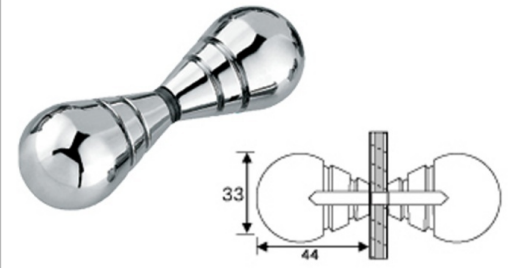
KL10



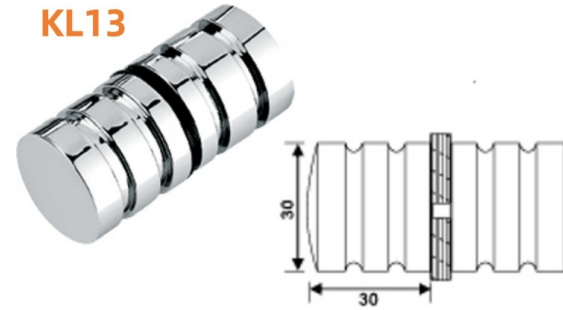
KL11



KL12



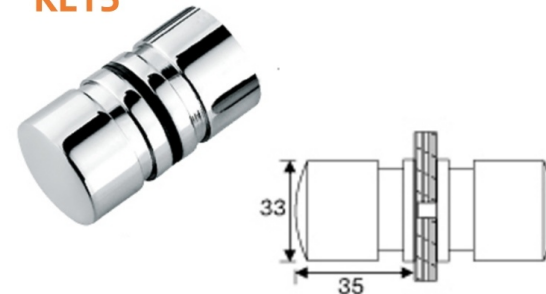
KL13



KL14



KL15



KL16

