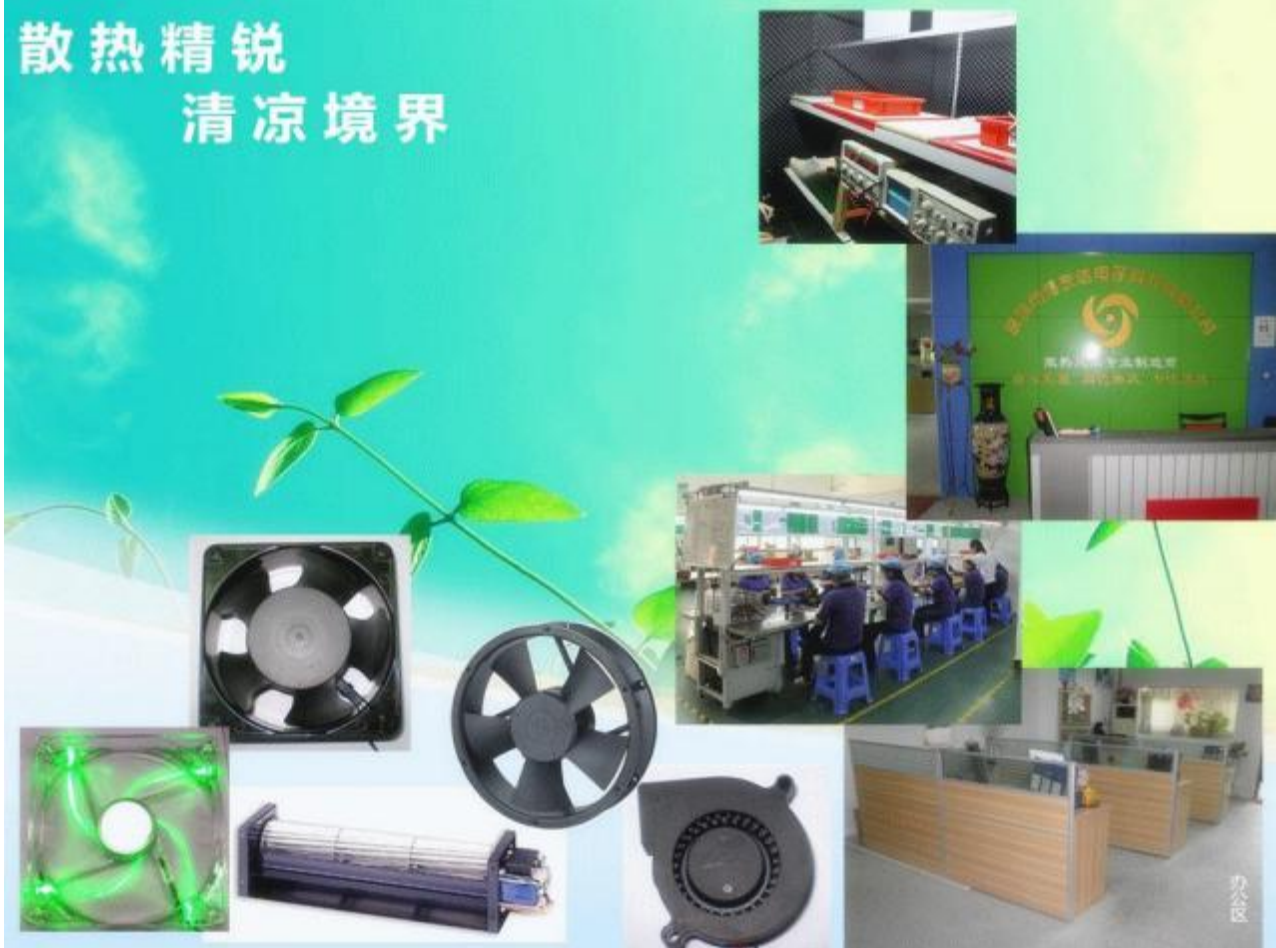




深圳市福庆达电子科技有限公司

SHENZHEN FQD ELECTRONICS TECH CO.,LTD

散热精锐
清凉境界



散热风扇专业制造商

Professional manufacturer of cooling fan

TEL: +86-755-83493030 86-139237473

Email:lgqing202@vip.1633.com

http://:www.fqdfan.com



Established in 2006, Shenzhen Fuqingda Electronics Tech Co., Ltd is a company that integrates research, development, manufacturing and sale of fans, We provide DC fans, AC fans, blowers fans, cross flow fans, heatsinks, various fan guard nets and more, All our products have gained international and national safety certifications such as CE, UL, ROHS, TUV.

We devote ourselves to supply the best cooling products and thermal solutions for our customers with advanced manufacturing techniques, operation rules of safety specifications, strict detection mechanism and excellent quality as the management concept.

“The professional heart leads the professional hands, Which brings about achievements of professional” is the faith of Fuqingda, Quality is our life for development. We exert great efforts to provide high-quality products and the best services

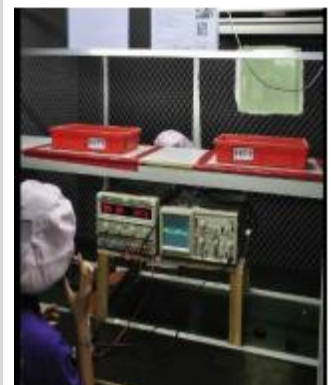




Table of Contents

Contents 3-5

DC Cooling fan

15*15*06mm	6
20*20*06mm	7
20*20*10mm	8
25*25*07mm	9
25*25*10mm	10
30*30*07mm	11
30*30*10mm	12
30*30*15mm	13
35*35*10mm	14
40*40*07mm	15
40*40*10mm	16
40*10*15mm	17
40*40*20mm	18
40*40*28mm	19
45*45*10mm	20
50*50*10mm	21
50*50*15mm	22
50*50*20mm	23
60*60*10mm	24
60*60*15mm	25
60*60*20mm	26
60*60*25mm	27
60*60*38mm	28
70*70*10mm	29
70*70*15mm	30
70*70*25mm	31
80*80*10mm	32
80*80*15mm	33
80*80*20mm	34
80*80*25mm	35
80*80*38mm	36
92*92*25mm	37
92*92*25mm -1	38
92*92*38mm	39
92*92*38mm Max air flow	40



100*100*12mm	41
120*120*25mm	42
120*120*25mm Max air flow	43
120*120*38mm	44
120*120*38mm Max air flow	45
140*140*25mm	46
172*150*51mm	47
225*225* 80mm	48
∅ 254*89mm	49

DC Blower fan

40*40* 10mm	50
40*40*20mm	51
50*50*15mm	52
50*50*20mm	53
60*60*15mm	54
60*60*25mm	55
60*60*28mm	56
75*75*15mm	57
75*75*25mm	58
75*75*30mm	59
97*93*33mm	60
120*120*32mm	61
130*130*40mm	62

AC axial cooling fan

60*60*38 mm	63
80*80*25 mm	64
80*80*38 mm	65
92*92*25 mm	66
92*92*38 mm	67
110*110*25mm	68
120*120*25mm	69
120*120*38mm	70
120*120*38mm -7	71
150*150*50mm	72
172*150*38mm	73
172*150*51mm	74
172*150*51mm-7	75
172*150*51mm -C	76
180*180*60mm	77
200*200*60mm	78
∅ 220*60mm	79
∅ 254*89mm	80
∅ 198*60mm	81



Cross flow fan

JE - 030AC fan	82
JE - 040AC fan	83
JE - 050AC fan	84
JED-025DC fan	85
JED-030DC fan	86
JED-040DC fan	87
JE -043 AC fan	88
Plastic filter guard series	89
Metal finger guard series	90



DC COOLING FAN

Size: 15*15*06mm

General Specifications:

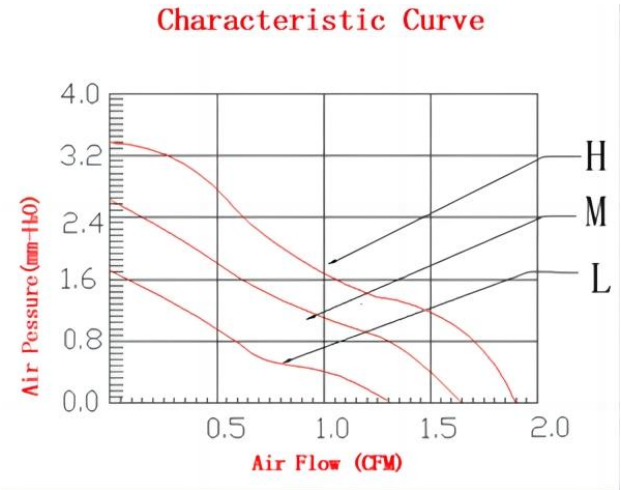
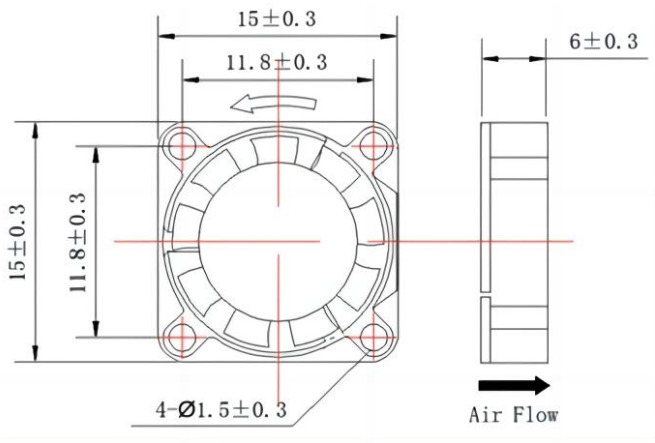
- Motor: 4 pole brushless DC motor
- Frame: Thermoplastic PBT+30%GF
- Impeller: Thermoplastic PBT+15%GF
- Bearing: Precision Ball Bearing/Sleeve Bearing
- Storage temperature: -40°C to +75°C
- Operating temperature: -10°C to +70°C



Major Characteristic Parameters

Model	Bearing Type	Voltage	Current	Speed	Air Flow	Pressure	Noise	Weight
型号	轴承类型	电压	电流	转速	风量	风压	噪音	重量
		VDC	A	RPM	CFM	mmH ₂ O	dBA	g
FD0315067S1	Sleeve	3.3	0.09	10000	0.32	0.96	18.75	2
FD0315065S1			0.06	8000	0.23	0.61	18.63	
FD0515067S1	Sleeve	5	0.08	13000	0.43	1.6	19.63	
FD0515065S1			0.07	10000	0.32	0.96	18.75	
FD0515063S1			0.06	8000	0.23	0.61	18.63	

* B: Two Ball bearing S: Sleeve Bearing * All reading are typical values at rated voltage
 * Function type optional * Specifications are subject to change without notice





Size: 20*20*07mm

General Specifications:

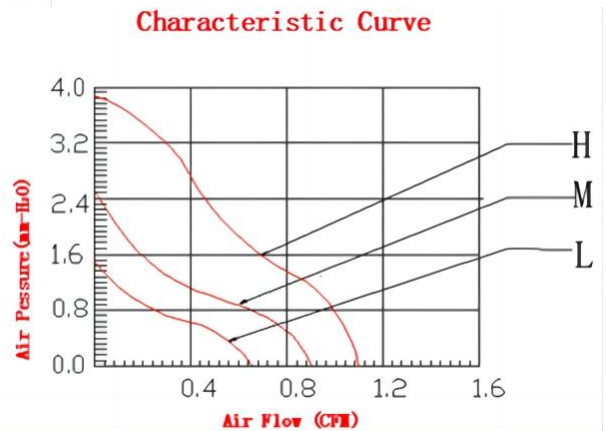
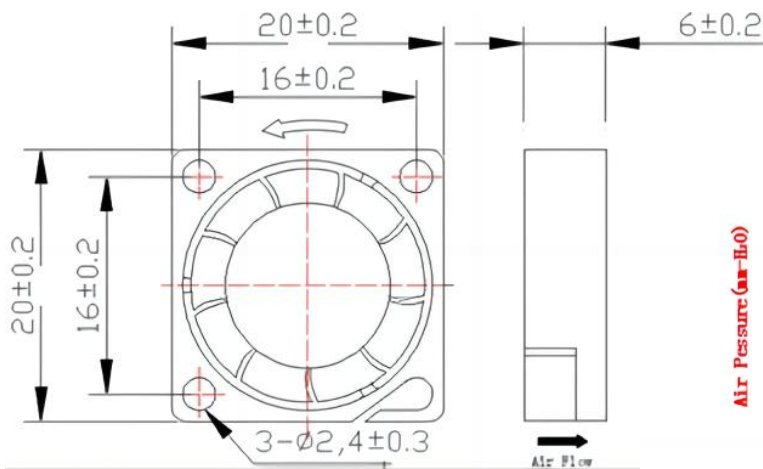
Motor: 4 pole brushless DC motor
 Frame: Thermoplastic PBT+30%GF
 Impeller: Thermoplastic PBT+15%GF
 Bearing: Precision Ball Bearing/Sleeve Bearing
 Storage temperature: -40°C to +75°C
 Operating temperature: -10°C to +70°C



Major Characteristic Parameters

MODEL	Bearing System	Rated Voltage (V)	Rated Current (A)	Input Power (W)	Speed (RPM)	Max Air Flow (CFM)	Max Static Pressure (mm H2O)	Noise (dBA)	Weight (g)
FD1220067S	S	12	0.12	1.44	13000	0.94	3.17	38.0	5
FD1220065S	S	12	0.09	1.2	10000	0.61	1.97	31.0	5
FD1220063S	S	12	0.07	0.96	7000	0.38	1.06	22.0	5
FD0520067S	S	5	0.14	0.9	13000	0.94	3.17	38.0	5
FD0520065S	S	5	0.12	0.7	10000	0.61	1.97	31.0	5
FD0520063S	S	5	0.09	0.6	7000	0.38	1.06	22.0	5

* B: Two Ball bearing S: Sleeve Bearing * All reading are typical values at rated voltage
 * Function type optional * Specifications are subject to change without notice





Size:20*20*10 mm

General Specifications:

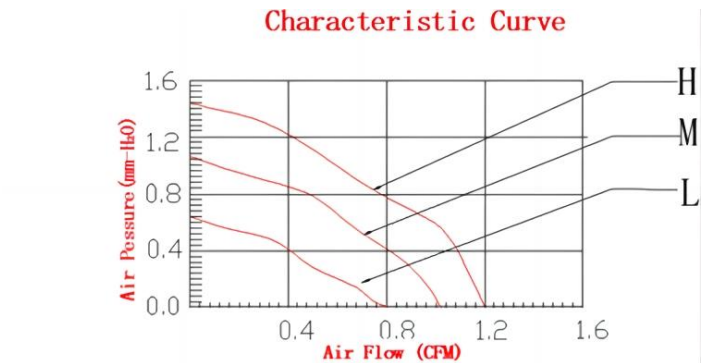
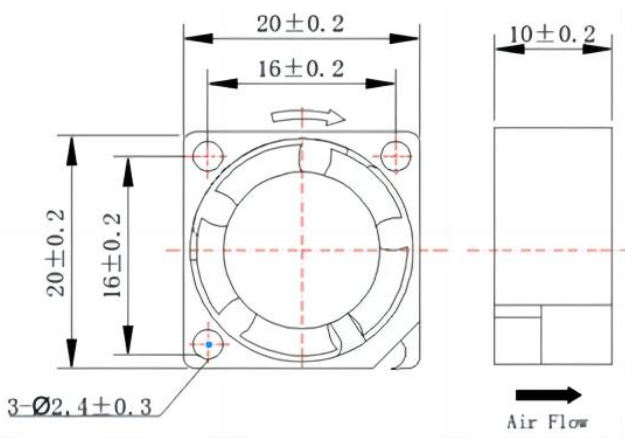
- Motor: 4 pole brushless DC motor
- Frame: Thermoplastic PBT+30%GF
- Impeller: Thermoplastic PBT+15%GF
- Bearing: Precision Ball Bearing/Sleeve Bearing
- Storage temperature: -40°C to +75°C
- Operating temperature: -10°C to +70°C



Major Characteristic Parameters

Model 型号	Bearing Type 轴承类型	Rated Voltage	Current	Speed	Air flow	Pressure	Noise	Weight
		额定电压	电流	转速	转速	风压	噪音	重量
		VDC	A	RPM	CFM	mmH ₂ O	dBA	g
FD1220107S/B	Sleeve/Ball	12	0.12	15000	1.5	1.2	31.08	5
FD1220105S/B			0.08	12000	1.2	0.96	24.87	
FD1220103S/B			0.05	9000	0.9	0.72	18.65	
FD0520107S/B	Sleeve/Ball	5	0.16	15000	1.5	1.2	31.08	
FD0520105S/B			0.14	12000	1.2	0.96	24.87	
FD0520103S/B			0.09	9000	0.9	0.72	18.65	

* B: Two Ball bearing S: Sleeve Bearing * All reading are typical values at rated voltage
 * Function type optional * Specifications are subject to change without notice





Size: 25*25*07mm

General Specifications:

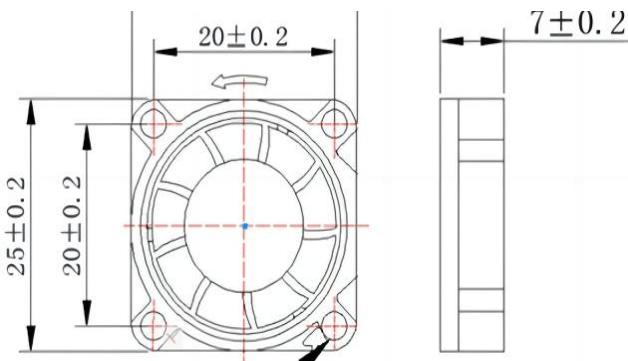
Motor: 4 pole brushless DC motor
 Frame: Thermoplastic PBT+30%GF
 Impeller: Thermoplastic PBT+15%GF
 Bearing: Precision Ball Bearing/Sleeve Bearing
 Storage temperature: -40°C to +75°C
 Operating temperature: -10°C to +70°C



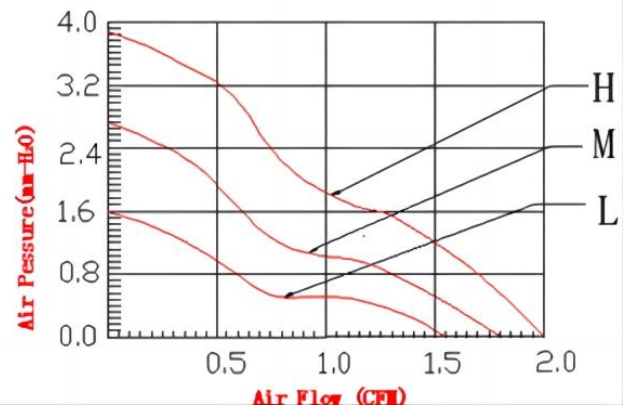
Major Characteristic Parameters

MODEL	Bearing System	Rated Voltage (V)	Rated Current (A)	Input Power (W)	Speed (RPM)	Max Air Flow (CFM)	Max Static Pressure (mm H2O)	Noise (dBA)	Weight (g)
FD1225077S(B)	S/B	12	0.12	1.44	14000	2.45	5.89	30.0	6
FD1225075S(B)	S/B	12	0.10	1.20	12000	2.03	3.69	27.0	6
FD1225073S(B)	S/B	12	0.08	0.96	9000	1.35	1.64	20.0	6
FD0525077S(B)	S/B	5	0.18	0.9	14000	2.45	5.89	30.0	6
FD0525075S(B)	S/B	5	0.14	0.7	12000	2.03	3.69	27.0	6
FD0525073S(B)	S/B	5	0.12	0.6	9000	1.35	1.64	20.0	6

* B: Two Ball bearing S: Sleeve Bearing * All reading are typical values at rated voltage
 * Function type optional * Specifications are subject to change without notice



Characteristic Curve





Size: 25*25*10mm

General Specifications:

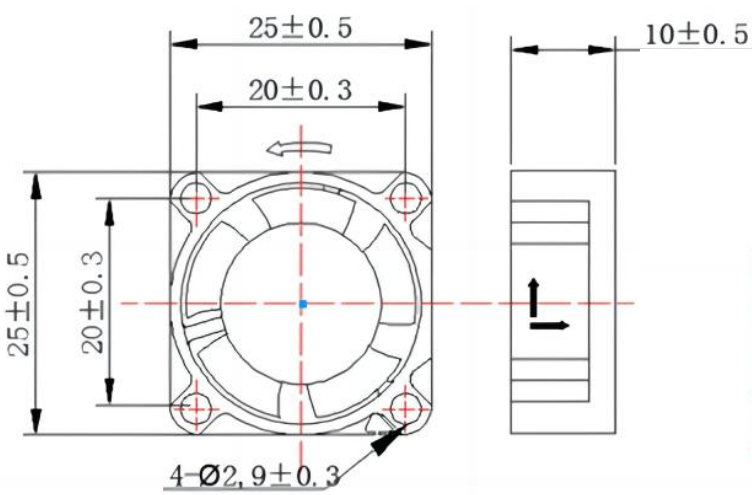
Motor: 4 pole brushless DC motor
 Frame: Thermoplastic PBT+30%GF
 Impeller: Thermoplastic PBT+15%GF
 Bearing: Precision Ball Bearing/Sleeve Bearing
 Storage temperature: -40°C to +75°C
 Operating temperature: -10°C to +70°C



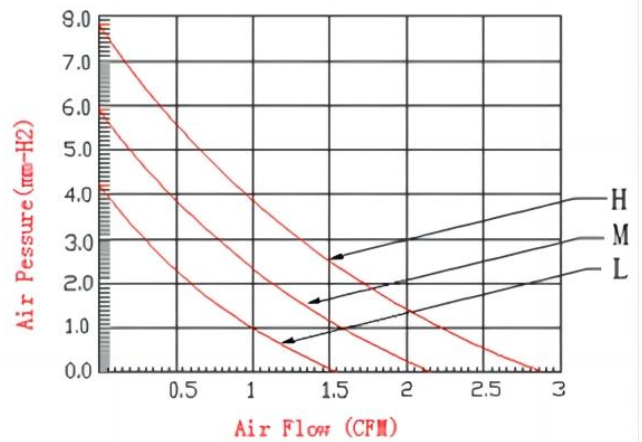
Major Characteristic Parameters

MODEL	Bearing System	Rated Voltage (V)	Rated Current (A)	Input Power (W)	Speed (RPM)	Max Air Flow (CFM)	Max Static Pressure (mm H2O)	Noise (dBA)	Weight (g)
FD1225107S(B)	S/B	12	0.12	1.44	12000	2.49	4.71	28.0	7
FD1225105S(B)	S/B	12	0.10	1.2	10000	1.82	3.29	24.0	7
FD1225103S(B)	S/B	12	0.08	0.96	9000	1.11	1.47	21.0	7
FD0525107S(B)	S/B	5	0.18	0.9	12000	2.49	4.71	28.0	7
FD0525105S(B)	S/B	5	0.14	0.7	10000	1.82	3.29	24.0	7
FD0525103S(B)	S/B	5	0.12	0.6	9000	1.11	1.47	21.0	7

* B: Two Ball bearing S: Sleeve Bearing * All reading are typical values at rated voltage
 * Function type optional * Specifications are subject to change without notice



Characteristic Curve

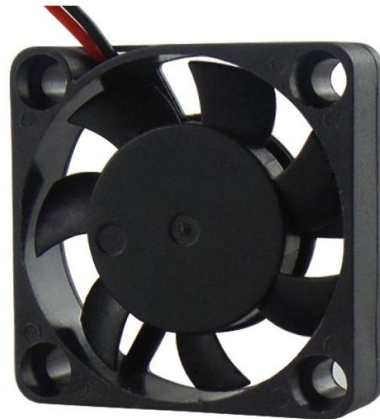




Size: 30*30*07mm

General Specifications:

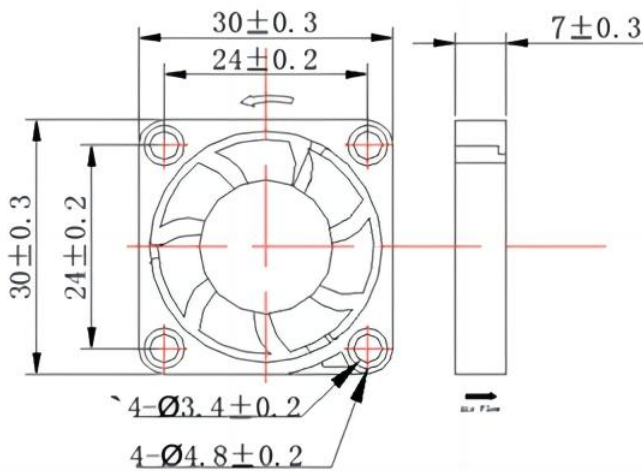
Motor: 4 pole brushless DC motor
 Frame: Thermoplastic PBT+30%GF
 Impeller: Thermoplastic PBT+15%GF
 Bearing: Precision Ball Bearing/Sleeve Bearing
 Storage temperature: -40°C to +75°C
 Operating temperature: -10°C to +70°C



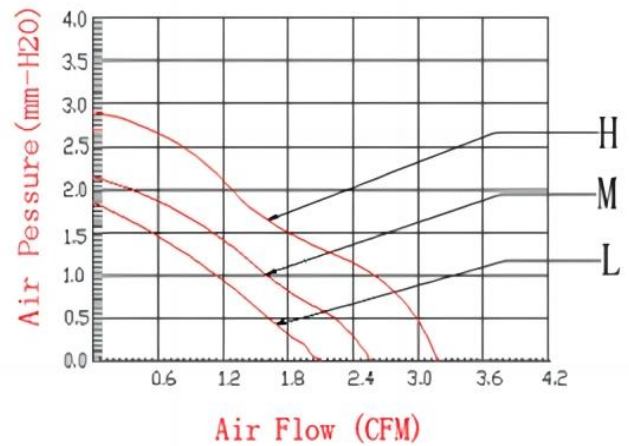
Major Characteristic Parameters

MODEL	Bearing System	Rated Voltage (V)	Rated Current (A)	Input Power (W)	Speed (RPM)	Max Air Flow (CFM)	Max Static Pressure (mm H2O)	Noise (dBA)	Weight (g)
FD1230077S(B)	S/B	12	0.12	1.44	13000	2.49	5.30	31.0	7
FD1230075S(B)	S/B	12	0.10	1.20	11000	2.03	3.32	28.0	7
FD1230073S(B)	S/B	12	0.08	0.96	8000	1.35	1.45	22.0	7
FD0530077S(B)	S/B	5	0.18	0.9	13000	2.49	5.30	31.0	7
FD0530075S(B)	S/B	5	0.14	0.7	11000	2.03	3.32	28.0	7
FD0530073S(B)	S/B	5	0.12	0.6	8000	1.35	1.45	22.0	7

* B: Two Ball bearing S: Sleeve Bearing * All reading are typical values at rated voltage
 * Function type optional * Specifications are subject to change without notice



Characteristic Curve

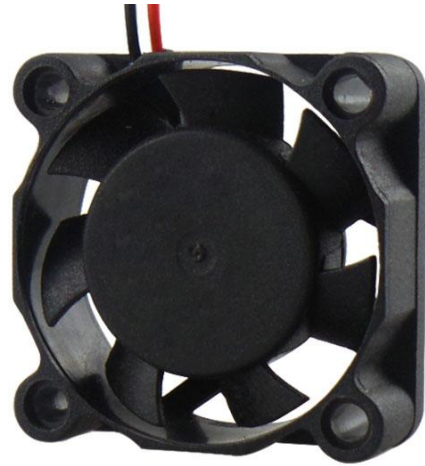




Size: 30*30*10mm

General Specifications:

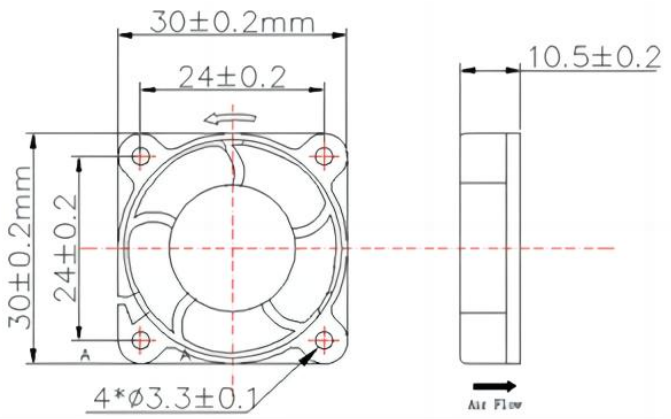
Motor: 4 pole brushless DC motor
 Frame: Thermoplastic PBT+30%GF
 Impeller: Thermoplastic PBT+15%GF
 Bearing: Precision Ball Bearing/Sleeve Bearing
 Storage temperature: -40°C to +75°C
 Operating temperature: -10°C to +70°C



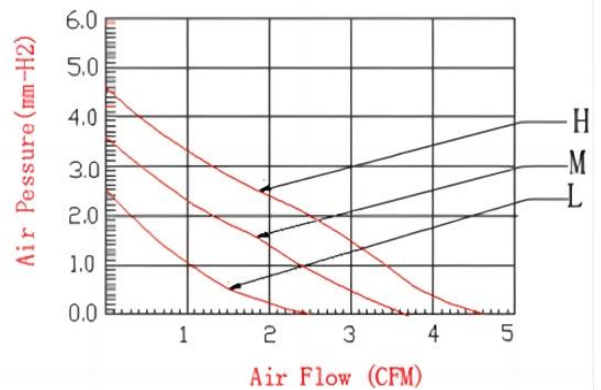
Major Characteristic Parameters

MODEL	Bearing System	Rated Voltage (V)	Rated Current (A)	Input Power (W)	Speed (RPM)	Max Air Flow (CFM)	Max Static Pressure (mm H2O)	Noise (dBA)	Weight (g)
FD1230107S(B)	S/B	12	0.12	1.44	12000	3.73	4.83	31.0	6
FD1230105S(B)	S/B	12	0.08	0.96	10000	2.91	3.37	27.0	6
FD1230103S(B)	S/B	12	0.07	0.72	7000	2.14	2.03	22.0	6
FD0530107S(B)	S/B	5	0.20	1.0	12000	3.73	4.83	31.0	6
FD0530105S(B)	S/B	5	0.14	0.7	10000	2.91	3.37	27.0	6
FD0530103S(B)	S/B	5	0.12	0.6	7000	2.14	2.03	22.0	6

*** B: Two Ball bearing S: Sleeve Bearing * All reading are typical values at rated voltage**
*** Function type optional * Specifications are subject to change without notice**



Characteristic Curve





NEW Size:30*30*15mm

General Specifications:

- Motor: 4 pole brushless DC motor
- Frame: Thermoplastic PBT+30%GF
- Impeller: Thermoplastic PBT+15%GF
- Bearing: Precision Ball Bearing/Sleeve Bearing
- Storage temperature: -40°C to +75°C
- Operating temperature: -10°C to +70°C



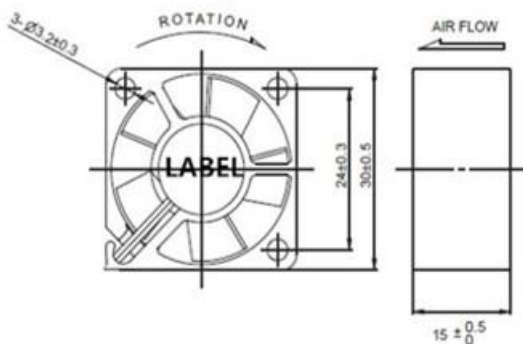
Major Characteristic Parameters



MODEL	Bearing System	Rated Voltage (V)	Rated Current (A)	Input Power (W)	Speed (RPM)	Max Air Flow (CFM)	Max Static Pressure (mm H2O)	Noise (dBA)	Weight (g)
FD1230157S(B)	S/B	12	0.16	1.92	8500	6.00	4.32	27.0	14
FD1230155S(B)	S/B	12	0.12	1.44	7000	4.80	3.03	20.0	14
FD0530155S(B)	S/B	5	0.22	1.10	8500	6.00	4.32	27.0	14
FD0530153S(B)	S/B	5	0.18	0.90	7000	4.80	3.03	20.0	14

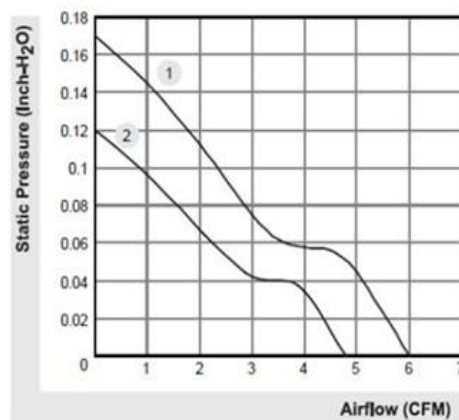
* B: Two Ball bearing S: Sleeve Bearing * All reading are typical values at rated voltage
 * Function type optional * Specifications are subject to change without notice

■ Dimensions Drawing



(Units : mm)

■ P.Q Curve(At Rated Voltage)

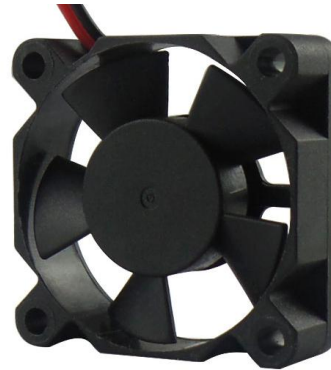




Size:35*35*10mm

General Specifications:

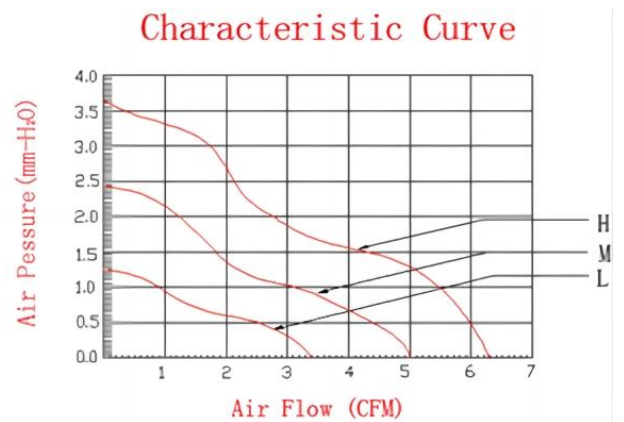
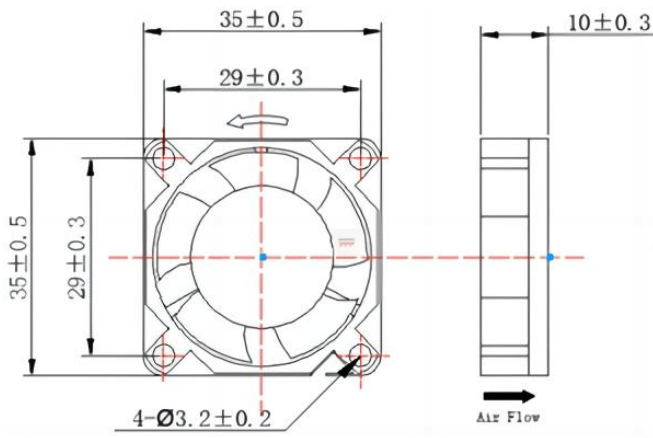
Motor: 4 pole brushless DC motor
 Frame: Thermoplastic PBT+30%GF
 Impeller: Thermoplastic PBT+15%GF
 Bearing: Precision Ball Bearing/Sleeve Bearing
 Storage temperature: -40°C to +75°C
 Operating temperature:-10°C to +70°C



Major Characteristic Parameters

MODEL	Bearing System	Rated Voltage (V)	Rated Current (A)	Input Power (W)	Speed (RPM)	Max Air Flow (CFM)	Max Static Pressure (mm H2O)	Noise (dBA)	Weight (g)
FD1235107S(B)	S/B	12	0.12	1.44	9000	6.30	5.50	28.0	10
FD1235105S(B)	S/B	12	0.10	1.2	8000	5.51	4.50	25.0	10
FD1235103S(B)	S/B	12	0.08	0.96	7000	4.96	3.50	23.0	10
FD0535109S(B)	S/B	5	0.13	0.65	9000	6.30	5.50	28.0	10
FD0535107S(B)	S/B	5	0.11	0.55	8000	5.51	4.50	25.0	10
FD0535105S(B)	S/B	5	0.09	0.45	7000	4.96	3.50	23.0	10
FD0535103S(B)	S/B	5	0.08	0.40	6000	2.82	2.60	20.0	10
FD0535101S(B)	S/B	5	0.06	0.30	5000	2.11	1.80	18.0	10

* B: Two Ball bearing S: Sleeve Bearing * All reading are typical values at rated voltage
 * Function type optional * Specifications are subject to change without notice





Size:40*40*07mm

Geral Specifications:

- Motor: 4 pole brushless DC motor
- Frame: Thermoplastic PBT+30%GF
- Impeller: Thermoplastic PBT+15%GF
- Bearing: Precision Ball Bearing/Sleeve Bearing
- Storage temperature: -40°C to +75°C
- Operating temperature:-10°C to +70°C

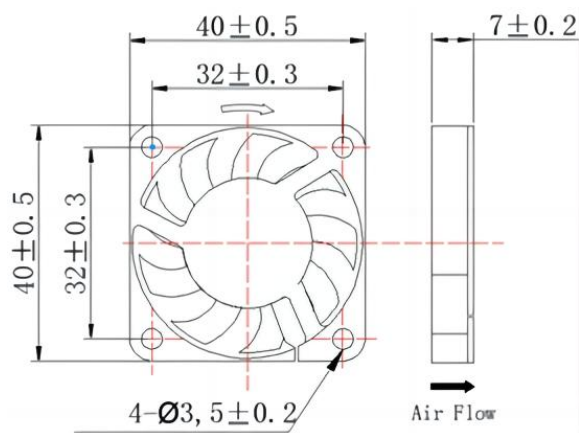


Major Characteristic Parameters

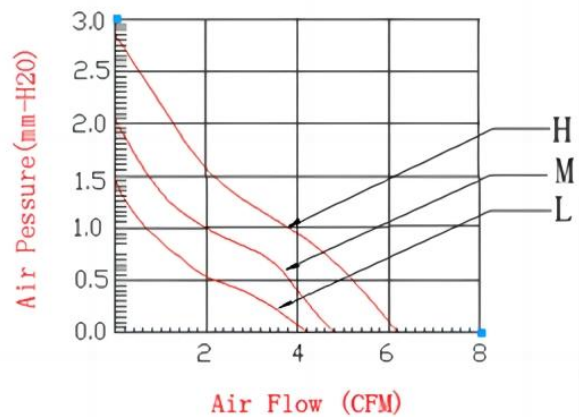


MODEL	Bearing System	Rated Voltage (V)	Rated Current (A)	Input Power (W)	Speed (RPM)	Max Air Flow (CFM)	Max Static Pressure (mm H2O)	Noise (dBA)	Weight (g)
FD1240077S(B)	S/B	12	0.12	1.44	8000	7.14	4.17	33.0	12
FD1240075S(B)	S/B	12	0.10	1.20	7000	6.01	3.25	31.0	12
FD1240073S(B)	S/B	12	0.08	0.96	6000	4.98	2.44	28.0	12
FD0540077S(B)	S/B	5	0.25	1.25	8000	7.14	4.17	33.0	12
FD0540075S(B)	S/B	5	0.22	1.1	7000	6.01	3.25	31.0	12
FD0540073S(B)	S/B	5	0.20	1.0	6000	4.98	2.44	28.0	12

* B: Two Ball bearing S: Sleeve Bearing * All readings are typical values at rated voltage
 * Function type optional * Specifications are subject to change without notice



Characteristic Curve





Size:40*40*10mm

General Specifications:

Motor: 4 pole brushless DC motor
 Frame: Thermoplastic PBT+30%GF
 Impeller: Thermoplastic PBT+15%GF
 Bearing: Precision Ball Bearing/Sleeve Bearing
 Storage temperature: -40°C to +75°C
 Operating temperature:-10°C to +70°C

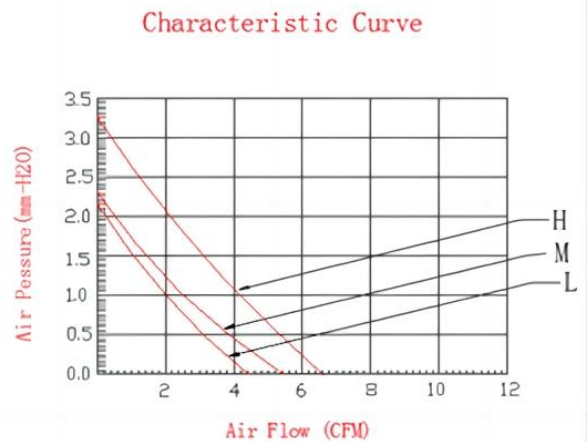
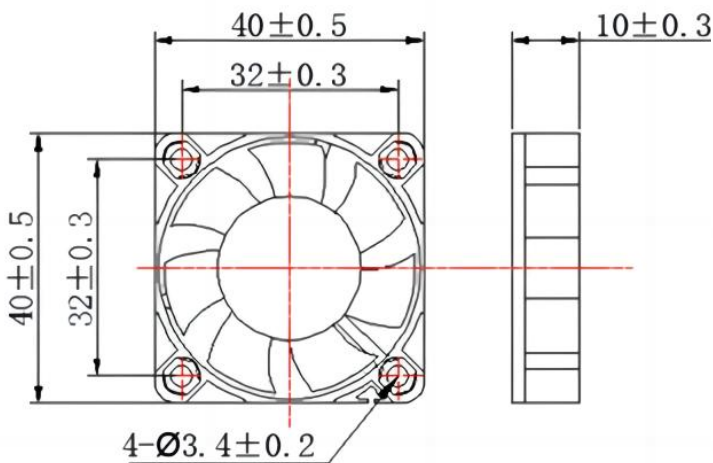


Major Characteristic Parameters



MODEL	Bearing System	Rated Voltage (V)	Rated Current (A)	Input Power (W)	Speed (RPM)	Max Air Flow (CFM)	Max Static Pressure (mm H2O)	Noise (dBA)	Weight (g)
FD2440109S(B)	S/B	24	0.10	2.40	7000	6.37	4.41	32.0	20
FD2440107S(B)	S/B	24	0.08	1.92	6000	5.46	3.24	29.0	20
FD2440105S(B)	S/B	24	0.06	1.44	5000	4.55	2.25	24.0	20
FD2440103S(B)	S/B	24	0.05	1.20	4000	3.64	1.44	20.0	20
FD1240107S(B)	S/B	12	0.12	1.44	7000	6.37	4.41	32.0	20
FD1240105S(B)	S/B	12	0.10	1.2	6000	5.46	3.24	29.0	20
FD1240103S(B)	S/B	12	0.08	0.96	5000	4.55	2.25	24.0	20
FD0540107S(B)	S/B	5	0.18	0.9	6000	5.46	3.24	29.0	20
FD0540105S(B)	S/B	5	0.14	0.7	5000	4.55	2.25	24.0	20
FD0540103S(B)	S/B	5	0.12	0.6	4000	3.64	1.44	21.0	20

*** B: Two Ball bearing S: Sleeve Bearing * All reading are typical values at rated voltage**
*** Function type optional * Specifications are subject to change without notice**





Size:40*40*15mm

General Specifications:

Motor: 4 pole brushless DC motor
 Frame: Thermoplastic PBT+30%GF
 Impeller: Thermoplastic PBT+15%GF
 Bearing: Precision Ball Bearing/Sleeve Bearing
 Storage temperature: -40°C to +75°C
 Operating temperature:-10°C to +70°C

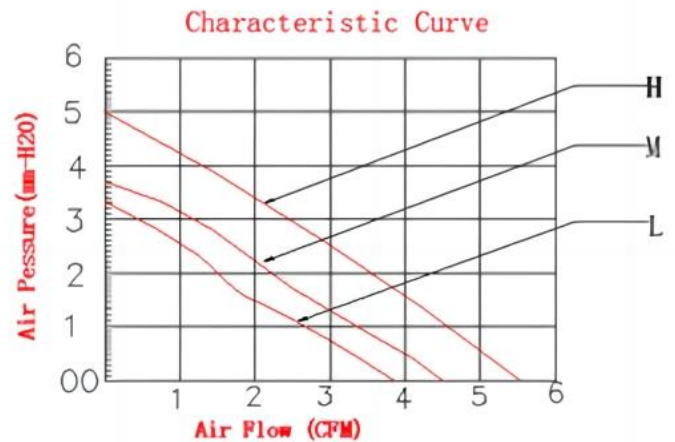
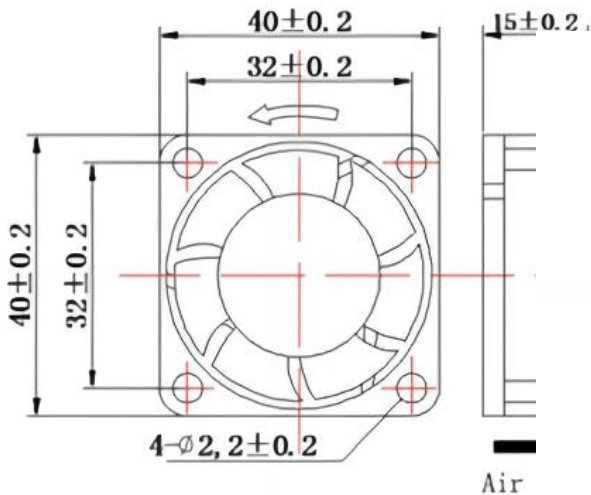


Major Characteristic Parameters



MODEL	Bearing System	Rated Voltage (V)	Rated Current (A)	Input Power (W)	Speed (RPM)	Max Air Flow (CFM)	Max Static Pressure (mm H2O)	Noise (dBA)	Weight (g)
FD1240157S(B)	S/B	12	0.18	2.18	8000	9.50	8.71	32.0	25
FD1240155S(B)	S/B	12	0.15	1.80	7000	8.20	6.80	29.0	25
FD1240153S(B)	S/B	12	0.11	1.32	6000	6.63	4.60	24.0	25
FD2440157S(B)	S/B	24	0.10	2.40	8000	9.50	8.71	32.0	25
FD2440155S(B)	S/B	24	0.08	1.92	7000	8.20	6.80	29.0	25
FD2440153S(B)	S/B	24	0.06	1.44	6000	6.63	4.60	24.0	25

* B: Two Ball bearing S: Sleeve Bearing * All reading are typical values at rated voltage
 * Function type optional * Specifications are subject to change without notice





Size:40*40*20mm

General Specifications:

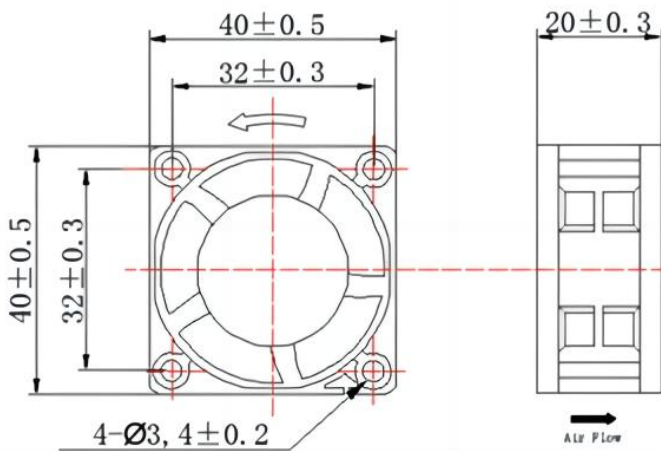
Motor: 4 pole brushless DC motor
 Frame: Thermoplastic PBT+30%GF
 Impeller: Thermoplastic PBT+15%GF
 Bearing: Precision Ball Bearing/Sleeve Bearing
 Storage temperature: -40°C to +75°C
 Operating temperature:-10°C to +70°C



Major Characteristic Parameters

MODEL	Bearing System	Rated Voltage (V)	Rated Current (A)	Input Power (W)	Speed (RPM)	Max Air Flow (CFM)	Max Static Pressure (mm H2O)	Noise (dBA)	Weight (g)
FD1240207S(B)	S/B	12	0.15	1.80	7000	8.60	6.18	30.0	24
FD1240205S(B)	S/B	12	0.12	1.44	6000	7.23	4.43	27.0	24
FD1240203S(B)	S/B	12	0.10	1.20	5000	6.00	3.14	23.0	24
FD1240201S(B)	S/B	12	0.08	0.96	4000	4.73	2.05	21.0	24
FD2440207S(B)	S/B	24	0.12	2.88	7000	8.60	6.18	30.0	24
FD2440205S(B)	S/B	24	0.08	1.92	6000	7.23	4.43	27.0	24
FD2440203S(B)	S/B	24	0.06	1.44	5000	6.00	3.14	23.0	24

* B: Two Ball bearing S: Sleeve Bearing * All reading are typical values at rated voltage
 * Function type optional * Specifications are subject to change without notice





Size: 40*40*28mm

General Specifications:

Motor: 4 pole brushless DC motor
 Frame: Thermoplastic PBT+30%GF
 Impeller: Thermoplastic PBT+15%GF
 Bearing: Precision Ball Bearing/Sleeve Bearing
 Storage temperature: -40°C to +75°C
 Operating temperature: -10°C to +70°C

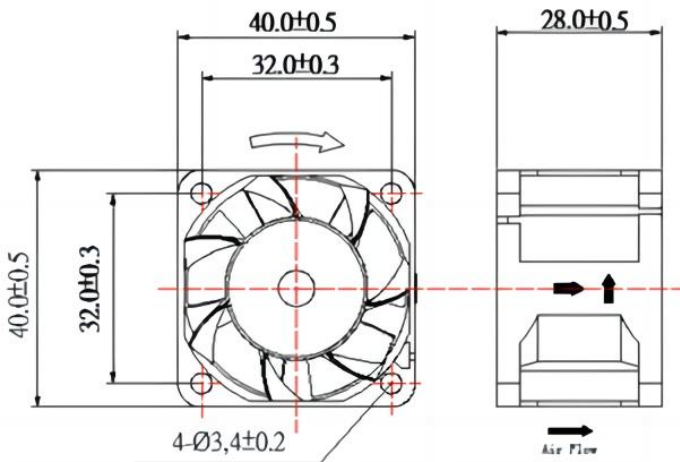


Major Characteristic Parameters

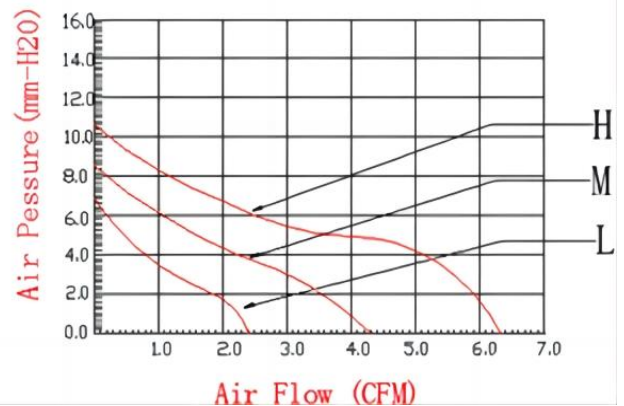


MODEL	Bearing System	Rated Voltage (V)	Rated Current (A)	Input Power (W)	Speed (RPM)	Max Air Flow (CFM)	Max Static Pressure (mm H2O)	Noise (dBA)	Weight (g)
FD1240289S(B)	S/B	12	0.70	8.40	15000	27.60	53.60	58.0	40
FD1240287S(B)	S/B	12	0.60	7.2	14000	25.10	41.60	55.0	40
FD1240285S(B)	S/B	12	0.55	6.60	13000	23.80	33.70	52.0	40
FD1240283S(B)	S/B	12	0.35	4.20	11000	18.73	23.40	48.0	40
FD1240281S(B)	S/B	12	0.26	3.12	9500	16.00	13.60	42.0	40
FD2440287S(B)	S/B	24	0.27	6.48	13000	24.00	33.70	52.0	40
FD2440285S(B)	S/B	24	0.20	4.80	11000	18.73	23.4	48.0	40
FD2440283S(B)	S/B	24	0.15	3.60	9500	16.00	13.6	42.0	40

*** B: Two Ball bearing S: Sleeve Bearing * All reading are typical values at rated voltage**
*** Function type optional * Specifications are subject to change without notice**



Characteristic Curve





Size:45*45*10mm

General Specifications:

Motor: 4 pole brushless DC motor
 Frame: Thermoplastic PBT+30%GF
 Impeller: Thermoplastic PBT+15%GF
 Bearing: Precision Ball Bearing/Sleeve Bearing
 Storage temperature: -40°C to +75°C
 Operating temperature: -10°C to +70°C

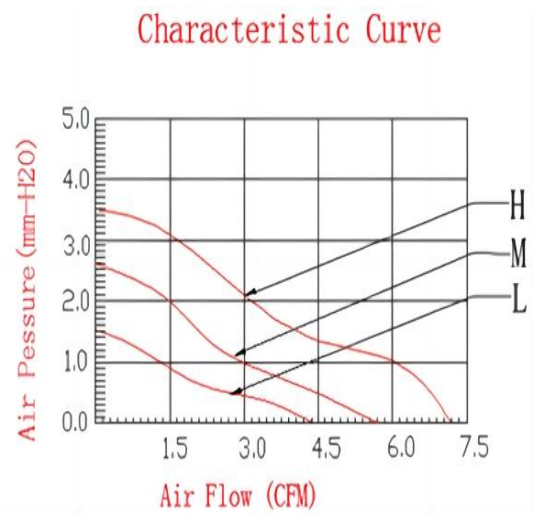
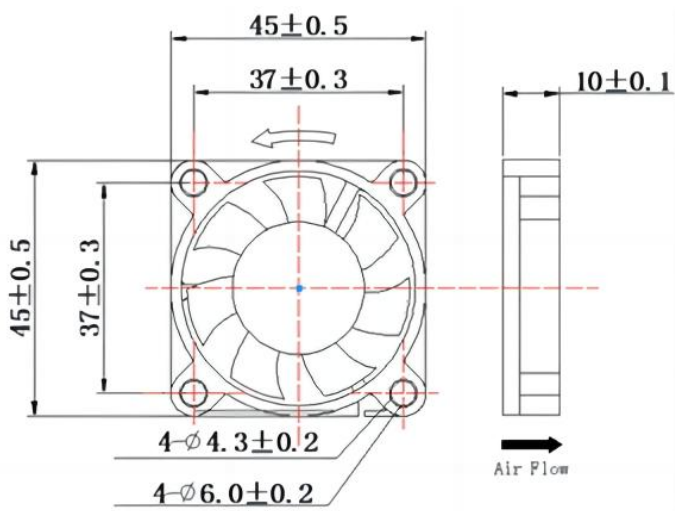


Major Characteristic Parameters

MODEL	Bearing System	Rated Voltage (V)	Rated Current (A)	Input Power (W)	Speed (RPM)	Max Air Flow (CFM)	Max Static Pressure (mm H2O)	Noise (dBA)	Weight (g)
FD1245107S(B)	S/B	12	0.15	1.80	5500	8.70	2.60	28.0	17
FD1245105S(B)	S/B	12	0.12	1.44	4500	7.00	1.80	22.0	17
FD1245103S(B)	S/B	12	0.10	1.20	3800	5.80	1.40	19.0	17
FD2445107S(B)	S/B	24	0.10	2.40	5500	8.70	6.18	30.0	17
FD2445105S(B)	S/B	24	0.08	1.92	4500	7.00	4.43	27.0	17
FD2445103S(B)	S/B	24	0.07	1.68	3800	5.80	3.14	23.0	17

* B: Two Ball bearing S: Sleeve Bearing * All reading are typical values at rated voltage

* Function type optional * Specifications are subject to change without notice





Size:50*50*10mm

General Specifications:

Motor: 4 pole brushless DC motor
 Frame: Thermoplastic PBT+30%GF
 Impeller: Thermoplastic PBT+15%GF
 Bearing: Precision Ball Bearing/Sleeve Bearing
 Storage temperature: -40°C to +75°C
 Operating temperature:-10°C to +70°C

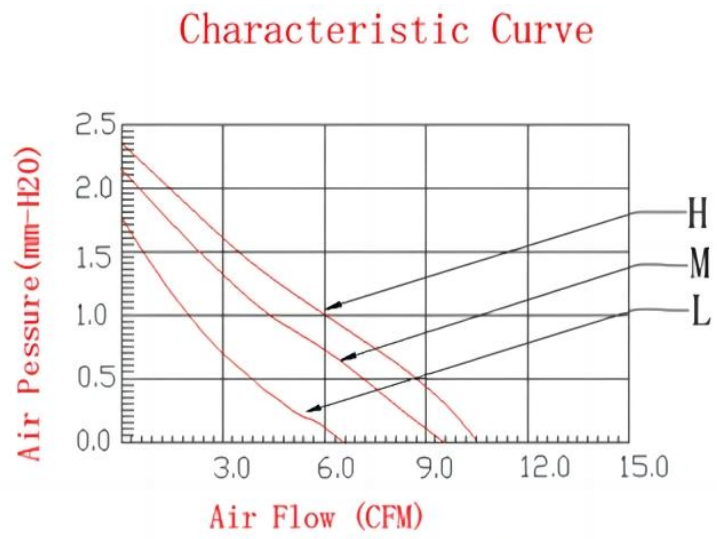
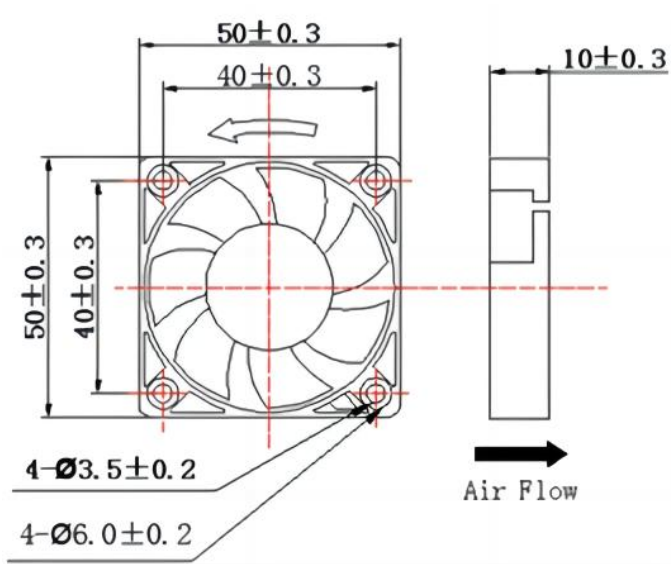


Major Characteristic Parameters



MODEL	Bearing System	Rated Voltage (V)	Rated Current (A)	Input Power (W)	Speed (RPM)	Max Air Flow (CFM)	Max Static Pressure (mm H2O)	Noise (dBA)	Weight (g)
FD0550107S(B)	S/B	5	0.17	0.85	5000	11.58	4.19	28.0	20
FD0550105S(B)	S/B	5	0.14	0.70	4000	9.27	2.58	25.0	20
FD1250109S(B)	S/B	12	0.15	1.80	6600	15.30	7.02	30.0	20
FD1250107S(B)	S/B	12	0.15	1.80	6000	13.91	5.80	30.0	20
FD1250105S(B)	S/B	12	0.12	1.44	5000	11.58	4.19	28.0	20
FD1250103S(B)	S/B	12	0.10	1.20	4000	9.27	2.58	25.0	20
FD2450109S(B)	S/B	24	0.20	4.80	8000	18.54	10.32	42.0	20
FD2450107S(B)	S/B	24	0.13	3.12	7000	16.22	7.90	32.0	20
FD2450105S(B)	S/B	24	0.10	2.40	6000	13.91	5.80	30.0	20
FD2450103S(B)	S/B	24	0.08	1.92	5000	11.58	4.19	28.0	20

* B: Two Ball bearing S: Sleeve Bearing * All reading are typical values at rated voltage
 * Function type optional * Specifications are subject to change without notice





Size:50*50*15mm

General Specifications:

Motor: 4 pole brushless DC motor
 Frame: Thermoplastic PBT+30%GF
 Impeller: Thermoplastic PBT+15%GF
 Bearing: Precision Ball Bearing/Sleeve Bearing
 Storage temperature: -40°C to +75°C
 Operating temperature: -10°C to +70°C

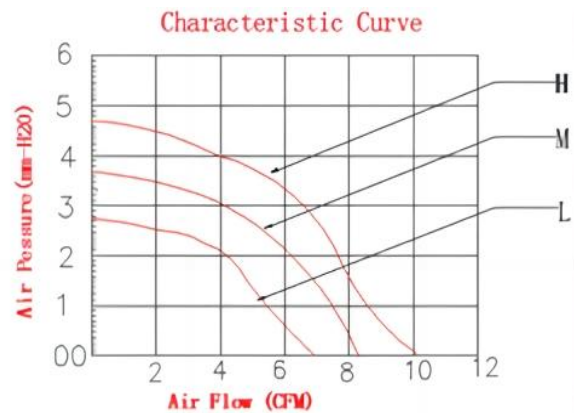
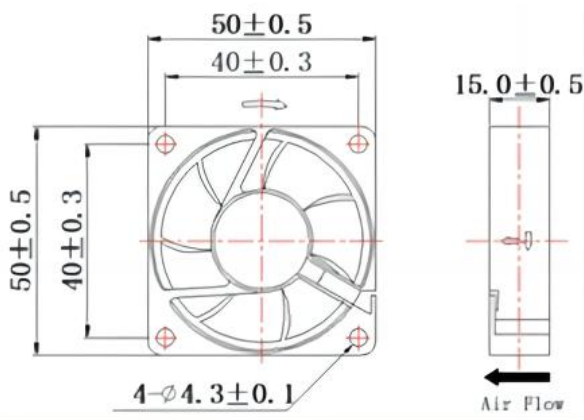


Major Characteristic Parameters



MODEL	Bearing System	Rated Voltage (V)	Rated Current (A)	Input Power (W)	Speed (RPM)	Max Air Flow (CFM)	Max Static Pressure (mm H2O)	Noise (dBA)	Weight (g)
FD0550157S(B)	S/B	5	0.25	1.25	5000	14.06	3.77	29.0	25
FD0550155S(B)	S/B	5	0.22	1.10	4000	11.25	2.58	25.0	25
FD0550153S(B)	S/B	5	0.20	1.00	3500	9.27	1.96	23.0	25
FD1250157S(B)	S/B	12	0.22	2.64	6000	16.88	5.18	32.0	25
FD1250155S(B)	S/B	12	0.15	1.80	5000	14.06	3.77	29.0	25
FD1250153S(B)	S/B	12	0.10	1.20	4000	11.25	2.58	25.0	25
FD2450157S(B)	S/B	24	0.17	4.08	6000	16.88	5.18	32.0	25
FD2450155S(B)	S/B	24	0.11	2.64	5000	14.06	3.77	29.0	25
FD2450153S(B)	S/B	24	0.07	1.68	4000	11.25	2.58	25.0	25

* B: Two Ball bearing S: Sleeve Bearing * All reading are typical values at rated voltage
 * Function type optional * Specifications are subject to change without notice





Size:50*50*20mm

General Specifications:

Motor: 4 pole brushless DC motor
 Frame: Thermoplastic PBT+30%GF
 Impeller: Thermoplastic PBT+15%GF
 Bearing: Precision Ball Bearing/Sleeve Bearing
 Storage temperature: -40°C to +75°C
 Operating temperature:-10°C to +70°C

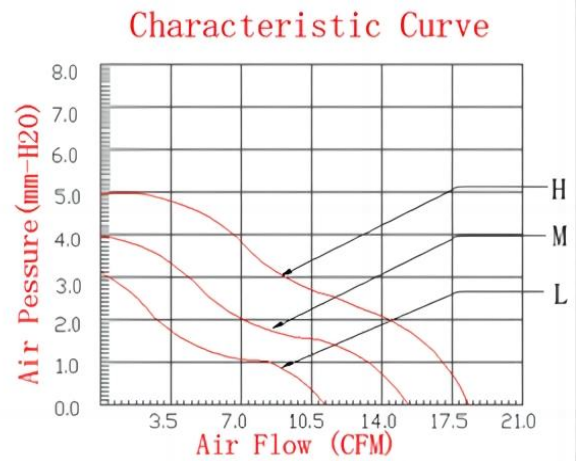
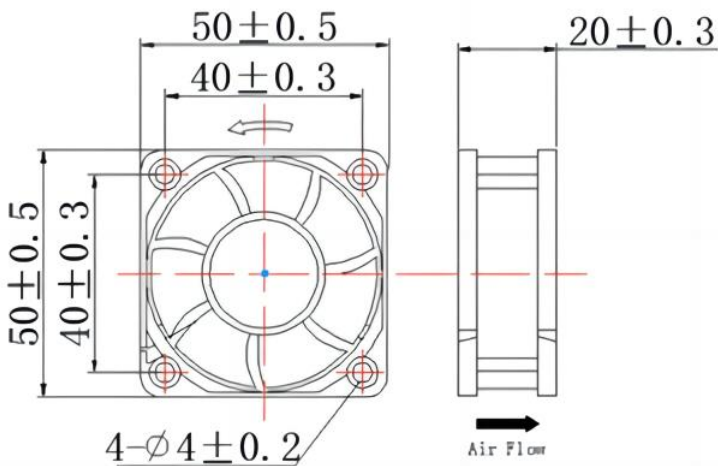


Major Characteristic Parameters



MODEL	Bearing System	Rated Voltage (V)	Rated Current (A)	Input Power (W)	Speed (RPM)	Max Air Flow (CFM)	Max Static Pressure (mm H2O)	Noise (dBA)	Weight (g)
FD1250157S(B)	S/B	12	0.22	5.28	6500	17.60	6.44	36.0	26
FD1250155S(B)	S/B	12	0.20	2.40	5500	14.88	4.62	32.0	26
FD1250153S(B)	S/B	12	0.13	1.56	5000	12.70	3.48	28.0	26
FD1250151S(B)	S/B	12	0.10	1.20	4000	10.10	2.42	24.0	26
FD2450209S(B)	S/B	24	0.15	3.60	7000	20.30	7.77	38.0	26
FD2450207S(B)	S/B	24	0.12	2.88	6500	17.60	6.44	36.0	26
FD2450205S(B)	S/B	24	0.10	2.40	5500	14.88	4.62	32.0	26
FD2450203S(B)	S/B	24	0.08	1.92	5000	12.70	3.48	28.0	26
FD2450201S(B)	S/B	24	0.07	1.68	4000	10.10	2.42	24.0	26

* B: Two Ball bearing S: Sleeve Bearing * All reading are typical values at rated voltage
 * Function type optional * Specifications are subject to change without notice





Size:60*60*10mm

General Specifications:

Motor: 4 pole brushless DC motor
 Frame: Thermoplastic PBT+30%GF
 Impeller: Thermoplastic PBT+15%GF
 Bearing: Precision Ball Bearing/Sleeve Bearing
 Storage temperature: -40°C to +75°C
 Operating temperature:-10°C to +70°C

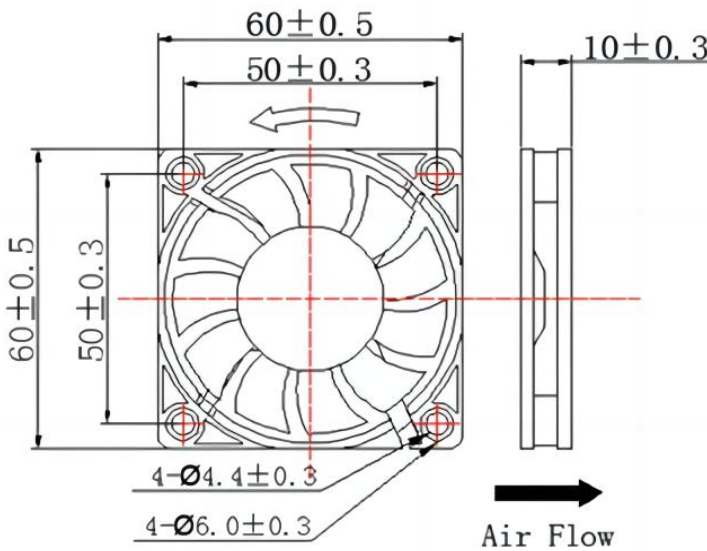


Major Characteristic Parameters

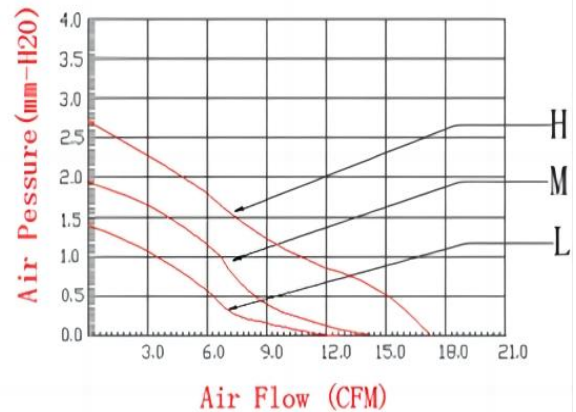


MODEL	Bearing System	Rated Voltage (V)	Rated Current (A)	Input Power (W)	Speed (RPM)	Max Air Flow (CFM)	Max Static Pressure (mm H2O)	Noise (dBA)	Weight (g)
FD1260107S(B)	S/B	12	0.22	2.64	5000	20.24	3.92	33.0	25
FD1260105S(B)	S/B	12	0.15	1.80	4500	19.11	3.55	31.0	25
FD1260103S(B)	S/B	12	0.12	1.44	4000	16.81	2.82	28.0	25
FD1260101S(B)	S/B	12	0.10	1.20	3500	13.46	2.12	25.0	25
FD2460107S(B)	S/B	24	0.14	3.36	5000	20.24	3.92	33.0	25
FD2460105S(B)	S/B	24	0.11	2.64	4500	19.11	3.55	31.0	25
FD2460103S(B)	S/B	24	0.09	2.16	4000	16.81	2.82	28.0	25
FD2460101S(B)	S/B	24	0.08	1.92	3500	13.46	2.12	25.0	25

*** B: Two Ball bearing S: Sleeve Bearing * All reading are typical values at rated voltage**
*** Function type optional * Specifications are subject to change without notice**



Characteristic Curve





Size:60*60*15mm

General Specifications:

Motor: 4 pole brushless DC motor
 Frame: Thermoplastic PBT+30%GF
 Impeller: Thermoplastic PBT+15%GF
 Bearing: Precision Ball Bearing/Sleeve Bearing
 Storage temperature: -40°C to +75°C
 Operating temperature: -10°C to +70°C

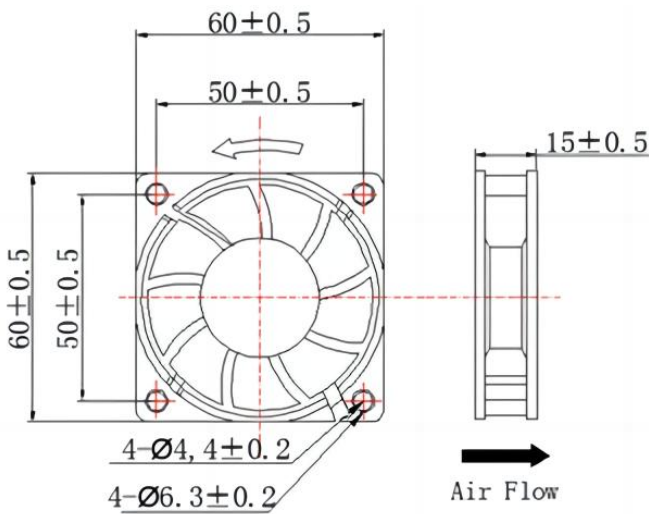


Major Characteristic Parameters

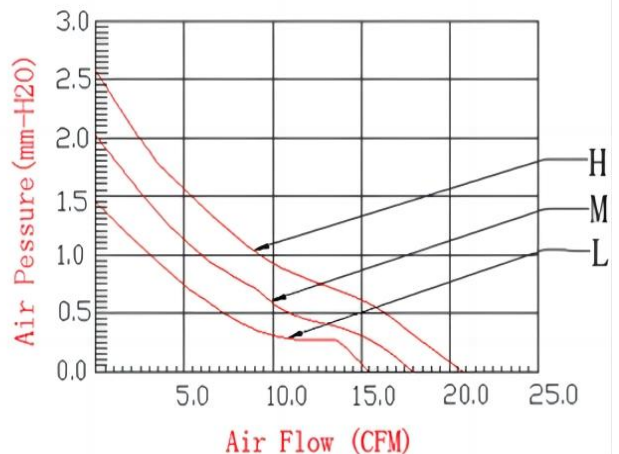


MODEL	Bearing System	Rated Voltage (V)	Rated Current (A)	Input Power (W)	Speed (RPM)	Max Air Flow (CFM)	Max Static Pressure (mm H2O)	Noise (dBA)	Weight (g)
FD0560157S(B)	S/B	5	0.22	2.64	3500	16.91	2.71	28.0	35
FD0560153S(B)	S/B	5	0.15	1.80	2500	12.11	1.38	22.0	35
FD1260157S(B)	S/B	12	0.16	1.92	4000	19.37	3.54	31.0	35
FD1260155S(B)	S/B	12	0.13	1.56	3500	16.91	2.71	28.0	35
FD1260153S(B)	S/B	12	0.10	1.20	3000	14.56	1.99	25.0	35
FD2460157S(B)	S/B	24	0.12	2.88	4000	19.37	3.54	31.0	35
FD2460155S(B)	S/B	24	0.09	2.16	3500	16.91	2.71	28.0	35
FD2460153S(B)	S/B	24	0.06	1.44	3000	14.56	1.99	25.0	35

* B: Two Ball bearing S: Sleeve Bearing * All reading are typical values at rated voltage
 * Function type optional * Specifications are subject to change without notice



Characteristic Curve





Size:60*60*20mm

General Specifications:

Motor: 4 pole brushless DC motor
 Frame: Thermoplastic PBT+30%GF
 Impeller: Thermoplastic PBT+15%GF
 Bearing: Precision Ball Bearing/Sleeve Bearing
 Storage temperature: -40°C to +75°C
 Operating temperature:-10°C to +70°C

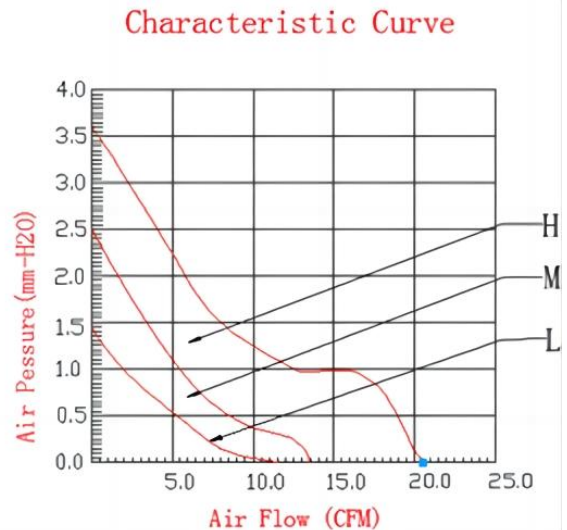
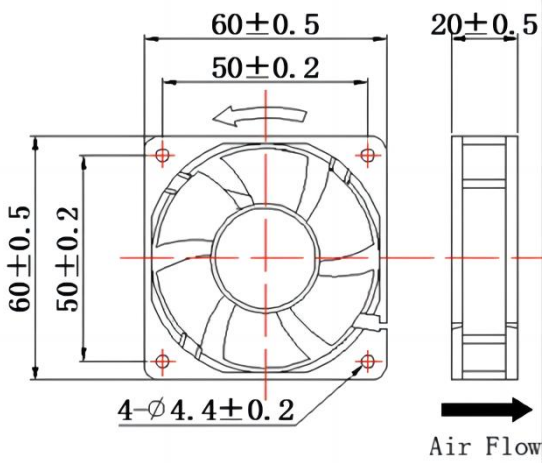


Major Characteristic Parameters



MODEL	Bearing System	Rated Voltage (V)	Rated Current (A)	Input Power (W)	Speed (RPM)	Max Air Flow (CFM)	Max Static Pressure (mm H2O)	Noise (dBA)	Weight (g)
FD1260207S(B)	S/B	12	0.20	2.40	4500	20.22	5.56	34.0	55
FD1260205S(B)	S/B	12	0.15	1.80	4000	19.55	4.46	32.0	55
FD1260203S(B)	S/B	12	0.12	1.44	3500	16.99	3.48	28.0	55
FD1260201S(B)	S/B	12	0.10	1.20	3000	14.08	2.58	25.0	55
FD2460207S(B)	S/B	24	0.14	3.36	4500	20.22	5.56	34.0	55
FD2460205S(B)	S/B	24	0.11	2.64	4000	19.55	4.46	32.0	55
FD2460203S(B)	S/B	24	0.08	1.92	3500	16.99	3.48	28.0	55
FD2460201S(B)	S/B	24	0.05	1.20	3000	14.08	2.58	25.0	55

*** B: Two Ball bearing S: Sleeve Bearing * All reading are typical values at rated voltage**
*** Function type optional * Specifications are subject to change without notice**





Size: 60*60*25mm

General Specifications:

Motor: 4 pole brushless DC motor
 Frame: Thermoplastic PBT+30%GF
 Impeller: Thermoplastic PBT+15%GF
 Bearing: Precision Ball Bearing/Sleeve Bearing
 Storage temperature: -40°C to +75°C
 Operating temperature: -10°C to +70°C

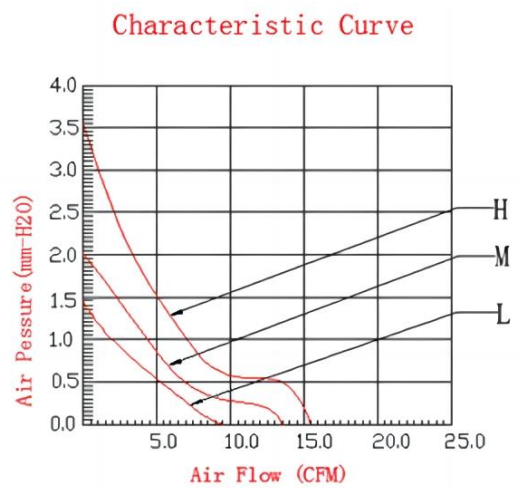
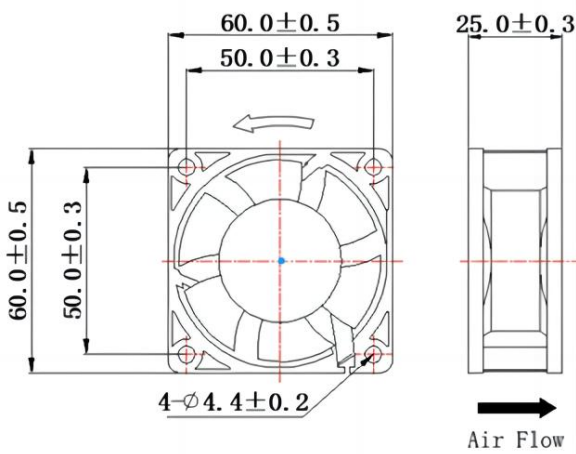


Major Characteristic Parameters



MODEL	Bearing System	Rated Voltage (V)	Rated Current (A)	Input Power (W)	Speed (RPM)	Max Air Flow (CFM)	Max Static Pressure (mm H2O)	Noise (dBA)	Weight (g)
FD0560257S(B)	S/B	5	0.45	2.25	3500	16.51	3.25	25.0	57
FD1260257S(B)	S/B	12	0.23	2.76	5000	23.66	6.23	33.0	57
FD1260255S(B)	S/B	12	0.15	1.80	4500	21.27	5.16	31.0	57
FD1260253S(B)	S/B	12	0.12	1.44	4000	19.04	4.19	28.0	57
FD2460257S(B)	S/B	24	0.14	3.36	5000	23.66	6.23	33.0	57
FD2460255S(B)	S/B	24	0.12	2.88	4500	21.27	5.16	31.0	57
FD2460253S(B)	S/B	24	0.08	1.92	4000	19.44	4.19	28.0	57
FD4860257S(B)	S/B	48	0.09	4.32	5000	23.66	6.23	33.0	57
FD4860255S(B)	S/B	48	0.07	3.36	4500	21.27	5.16	31.0	57
FD4860253S(B)	S/B	48	0.06	2.88	4000	19.04	4.19	28.0	57

* B: Two Ball bearing S: Sleeve Bearing * All reading are typical values at rated voltage
 * Function type optional * Specifications are subject to change without notice





Size: 60*60*38mm

General Specifications:

- Motor: 4 pole brushless DC motor
- Frame: Thermoplastic PBT+30%GF
- Impeller: Thermoplastic PBT+15%GF
- Bearing: Precision Ball Bearing/Sleeve Bearing
- Storage temperature: -40°C to +75°C
- Operating temperature: -10°C to +70°C

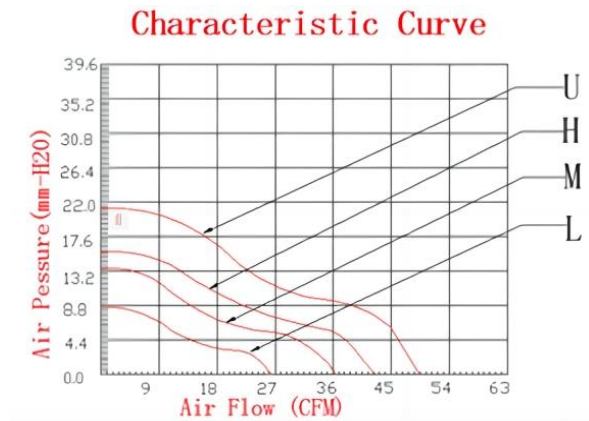
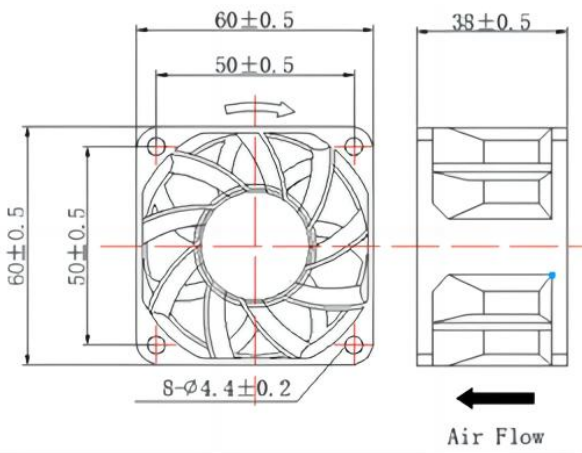


Major Characteristic Parameters



Model 型号	Bearing Type 轴承类型	Rated Voltage 额定电压 VDC	Current 电流 A	Speed 转速 RPM	AirFlow 风量 CFM	Pressure 风压 mmH ₂ O	Noise 噪音 dBA	Weight 重量 g
FD2460389S/B	Sleeve/Ball	24	0.5	10000	49.83	21.3	57	106
FD2460387S/B			0.37	9000	43.51	16.4	53.9	
FD2460385S/B			0.3	8000	36.72	12.5	49.3	
FD2460383S/B			0.2	7000	30.58	8.77	44.4	
FD1260389S/B	Sleeve/Ball	12	1	10000	49.83	21.3	57	
FD1260387S/B			0.65	9000	43.51	16.4	53.9	
FD1260385S/B			0.6	8000	36.72	12.5	49.3	
FD1260383S/B			0.4	7000	30.58	8.77	44.4	

* B: Two Ball bearing S: Sleeve Bearing * All reading are typical values at rated voltage
 * Function type optional * Specifications are subject to change without notice





Size: 70*70*10mm

General Specifications:

- Motor: 4 pole brushless DC motor
- Frame: Thermoplastic PBT+30%GF
- Impeller: Thermoplastic PBT+15%GF
- Bearing: Precision Ball Bearing/Sleeve Bearing
- Storage temperature: -40°C to +75°C
- Operating temperature: -10°C to +70°C

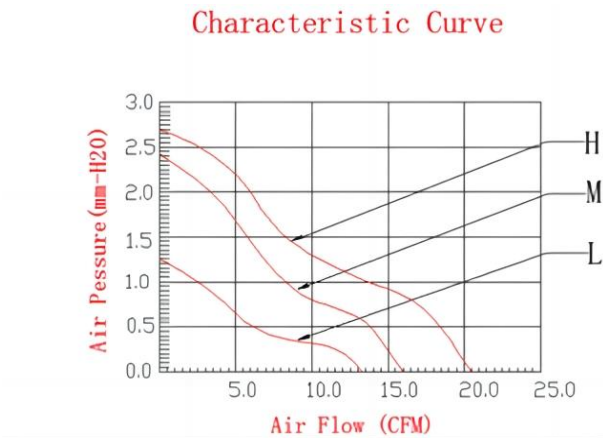
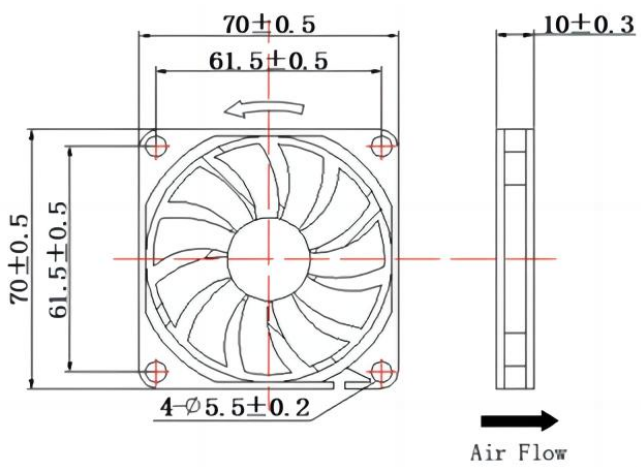


Major Characteristic Parameters



Model 型号	Bearing Type 轴承类型	Rated Voltage 额定电压	Current 电流	Speed 转速	Air flow 风量	Pressure 风压	Noise 噪音	Weight 重量
		VDC	A	RPM	CFM	mmH2O	dBA	g
FD2470107S/B	Sleeve/Ball	24	0.11	3500	19.13	2.65	32.6	27
FD2470105S/B			0.09	3000	16.39	2.48	27.9	
FD2470103S/B			0.07	2500	13.31	1.28	23.9	
FD1270107S/B	Sleeve/Ball	12	0.2	3500	19.13	2.65	32.6	
FD1270105S/B			0.14	3000	16.39	2.48	27.9	
FD1270103S/B			0.1	2500	13.31	1.28	23.9	

* B: Two Ball bearing S: Sleeve Bearing * All reading are typical values at rated voltage
 * Function type optional * Specifications are subject to change without notice





Size:70*70*15mm

General Specifications:

Motor: 4 pole brushless DC motor
 Frame: Thermoplastic PBT+30%GF
 Impeller: Thermoplastic PBT+15%GF
 Bearing: Precision Ball Bearing/Sleeve Bearing
 Storage temperature: -40°C to +75°C
 Operating temperature:-10°C to +70°C

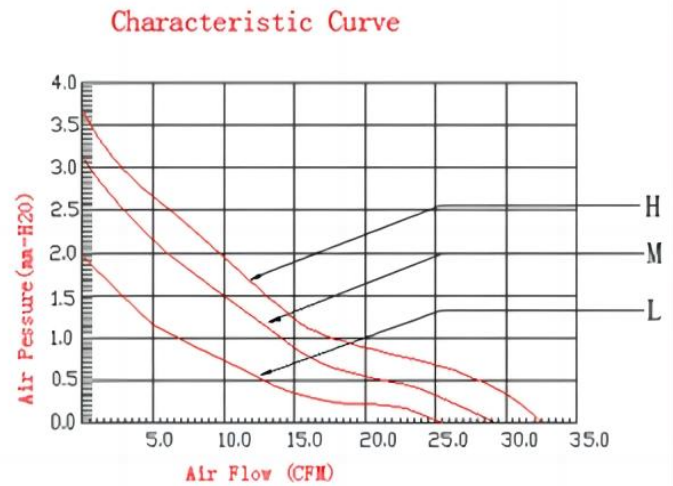
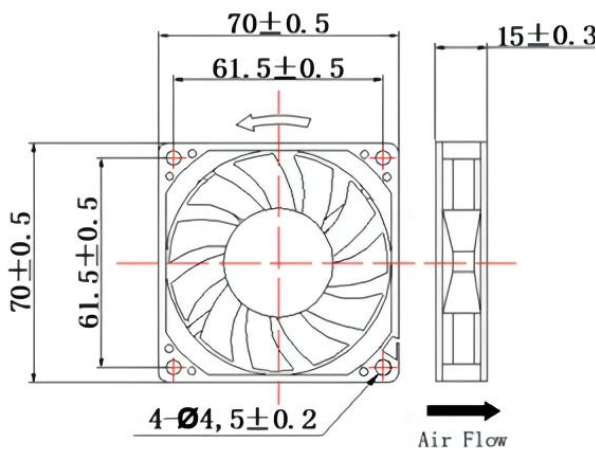


Major Characteristic Parameters



MODEL	Bearing System	Rated Voltage (V)	Rated Current (A)	Input Power (W)	Speed (RPM)	Max Air Flow (CFM)	Max Static Pressure (mm H2O)	Noise (dBA)	Weight (g)
FD1270157S(B)	S/B	12	0.22	2.64	4500	32.42	5.61	33.0	50
FD1270155S(B)	S/B	12	0.16	1.92	3700	26.62	3.79	30.0	50
FD1270153S(B)	S/B	12	0.12	1.44	3000	21.60	2.49	27.0	50
FD1270151S(B)	S/B	12	0.10	1.20	2500	18.10	1.73	24.0	50
FD2470157S(B)	S/B	24	0.15	3.60	4500	32.42	5.61	33.0	50
FD2470155S(B)	S/B	24	0.10	2.40	3700	26.62	3.79	30.0	50
FD2470153S(B)	S/B	24	0.07	1.68	3000	21.60	2.49	27.0	50
FD2470151S(B)	S/B	24	0.05	1.20	2500	18.10	1.73	24.0	50

*** B: Two Ball bearing S: Sleeve Bearing * All reading are typical values at rated voltage**
*** Function type optional * Specifications are subject to change without notice**





Size:70*70*25mm

General Specifications:

Motor: 4 pole brushless DC motor
 Frame: Thermoplastic PBT+30%GF
 Impeller: Thermoplastic PBT+15%GF
 Bearing: Precision Ball Bearing/Sleeve Bearing
 Storage temperature: -40°C to +75°C
 Operating temperature:-10°C to +70°C

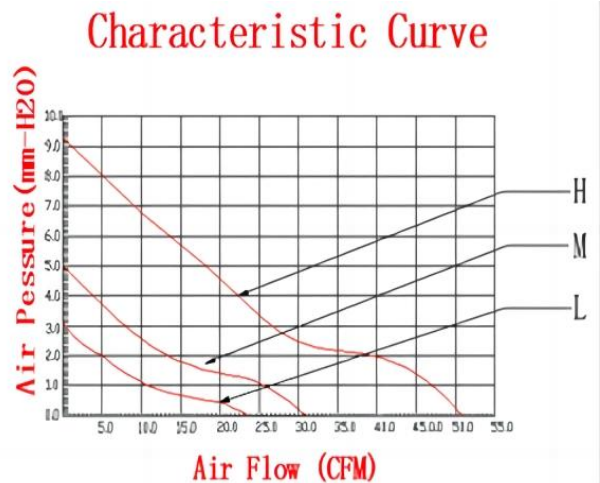
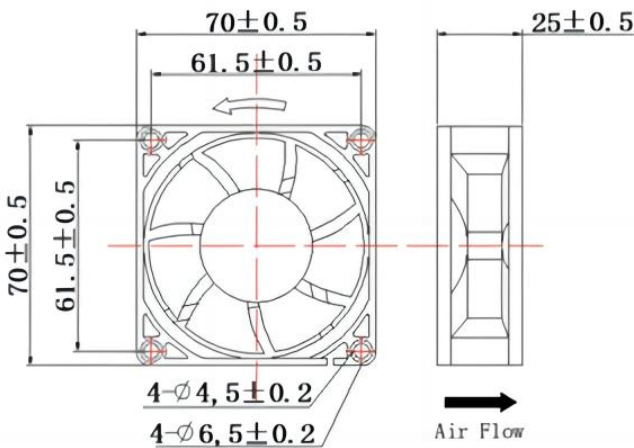


Major Characteristic Parameters



MODEL	Bearing System	Rated Voltage (V)	Rated Current (A)	Input Power (W)	Speed (RPM)	Max Air Flow (CFM)	Max Static Pressure (mm H2O)	Noise (dBA)	Weight (g)
FD1270257S(B)	S/B	12	0.30	3.60	4200	34.24	5.09	35.0	70
FD1270255S(B)	S/B	12	0.25	3.00	3700	30.34	4.10	32.0	70
FD1270253S(B)	S/B	12	0.17	2.04	3200	25.98	3.08	28.0	70
FD1270251S(B)	S/B	12	0.12	1.44	2700	21.78	2.21	24.0	70
FD2470257S(B)	S/B	24	0.15	3.60	4200	34.24	5.09	35.0	70
FD2470255S(B)	S/B	24	0.12	2.88	3700	30.34	4.10	32.0	70
FD2470253S(B)	S/B	24	0.10	2.40	3200	25.98	3.08	28.0	70
FD2470251S(B)	S/B	24	0.05	1.20	2700	21.78	2.21	24.0	70

*** B: Two Ball bearing S: Sleeve Bearing * All reading are typical values at rated voltage**
*** Function type optional * Specifications are subject to change without notice**





Size:80*80*10mm

General Specifications:

Motor: 4 pole brushless DC motor
 Frame: Thermoplastic PBT+30%GF
 Impeller: Thermoplastic PBT+15%GF
 Bearing: Precision Ball Bearing/Sleeve Bearing
 Storage temperature: -40°C to +75°C
 Operating temperature:-10°C to +70°C

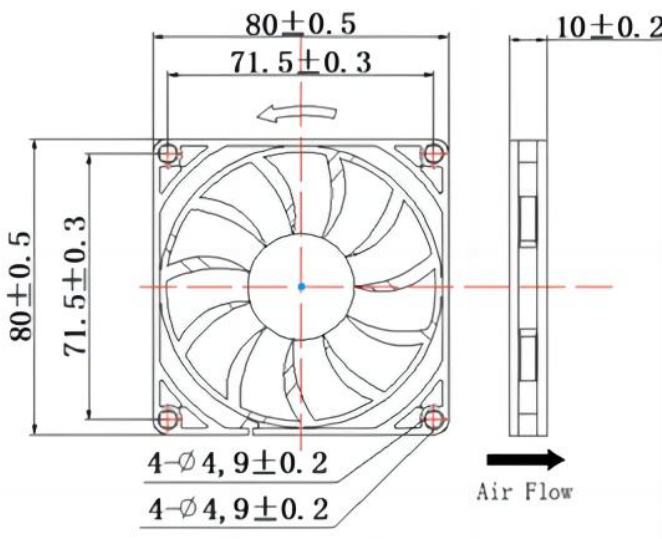


Major Characteristic Parameter

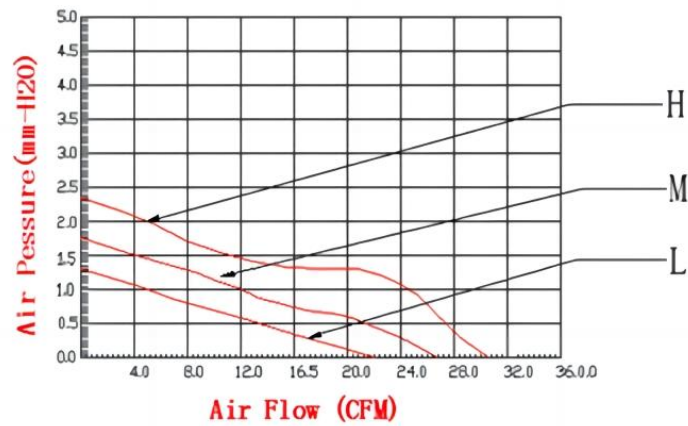


MODEL	Bearing System	Rated Voltage (V)	Rated Current (A)	Input Power (W)	Speed (RPM)	Max Air Flow (CFM)	Max Static Pressure (mm H2O)	Noise (dBA)	Weight (g)
FD1280107S(B)	S/B	12	0.30	3.60	4000	29.32	2.99	35.0	40
FD1280105S(B)	S/B	12	0.26	3.12	3500	21.69	1.73	33.0	40
FD1280103S(B)	S/B	12	0.18	2.16	3000	17.70	1.18	28.0	40
FD1280101S(B)	S/B	12	0.10	1.20	2500	13.61	0.74	24.0	40
FD0580107S(B)	S/B	5	0.45	2.25	3500	25.07	2.30	33.0	40
FD0580105S(B)	S/B	5	0.35	1.75	3000	21.69	1.73	28.0	40
FD0580103S(B)	S/B	5	0.25	1.25	2500	17.70	1.18	23.0	40
FD0580101S(B)	S/B	5	0.15	0.75	2000	13.61	0.74	20.0	40

* B: Two Ball bearing S: Sleeve Bearing * All reading are typical values at rated voltage
 * Function type optional * Specifications are subject to change without notice



Characteristic Curve





Size:80*80*15mm

General Specifications:

Motor: 4 pole brushless DC motor
 Frame: Thermoplastic PBT+30%GF
 Impeller: Thermoplastic PBT+15%GF
 Bearing: Precision Ball Bearing/Sleeve Bearing
 Storage temperature: -40°C to +75°C
 Operating temperature: -10°C to +70°C

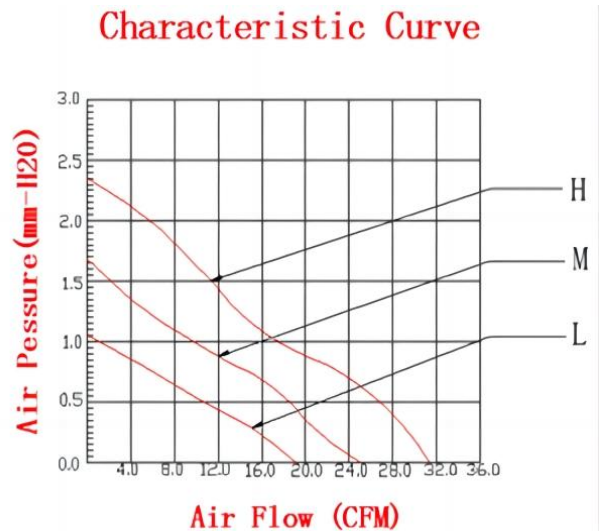
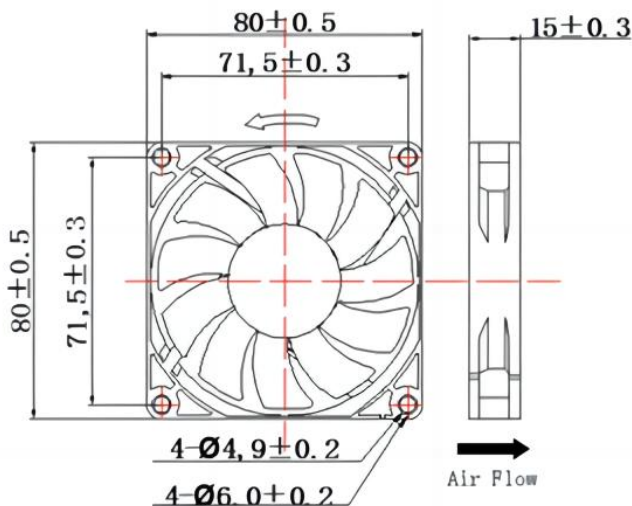


Major Characteristic Parameters



MODEL	Bearing System	Rated Voltage (V)	Rated Current (A)	Input Power (W)	Speed (RPM)	Max Air Flow (CFM)	Max Static Pressure (mm H2O)	Noise (dBA)	Weight (g)
FD0580157S(B)	S/B	5	0.25	1.25	3000	33.60	3.20	31.0	54
FD0580155S(B)	S/B	5	0.20	1.00	2500	25.03	2.21	27.0	54
FD1280157S(B)	S/B	12	0.28	3.36	3500	39.05	4.10	35.0	54
FD1280155S(B)	S/B	12	0.16	1.92	3000	33.60	3.20	31.0	54
FD1280153S(B)	S/B	12	0.12	1.44	2500	26.03	2.21	27.0	54
FD1280151S(B)	S/B	12	0.10	1.20	2000	20.82	1.41	24.0	54
FD2480157S(B)	S/B	24	0.15	3.60	3500	39.05	4.10	35.0	54
FD2480155S(B)	S/B	24	0.10	2.40	3000	33.60	3.20	31.0	54
FD2480153S(B)	S/B	24	0.07	1.68	2500	26.03	2.21	27.0	54
FD2480151S(B)	S/B	24	0.05	1.20	2000	20.82	1.41	24.0	54

*** B: Two Ball bearing S: Sleeve Bearing * All reading are typical values at rated voltage
 * Function type optional * Specifications are subject to change without notice**





Size:80*80*20mm

General Specifications:

Motor: 4 pole brushless DC motor
 Frame: Thermoplastic PBT+30%GF
 Impeller: Thermoplastic PBT+15%GF
 Bearing: Precision Ball Bearing/Sleeve Bearing
 Storage temperature: -40°C to +75°C
 Operating temperature:-10°C to +70°C

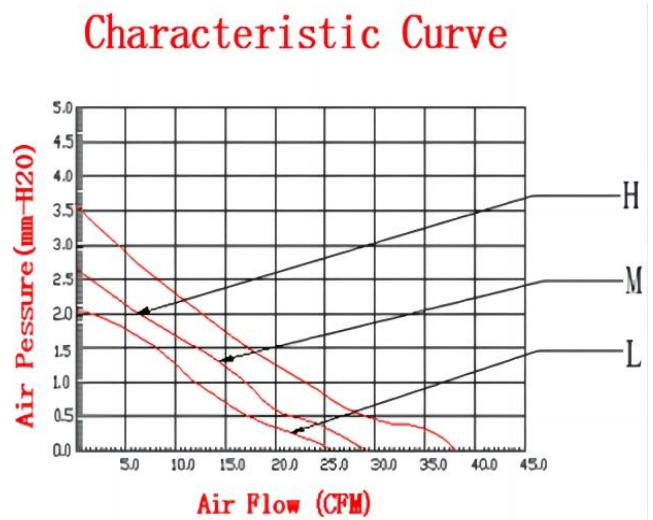
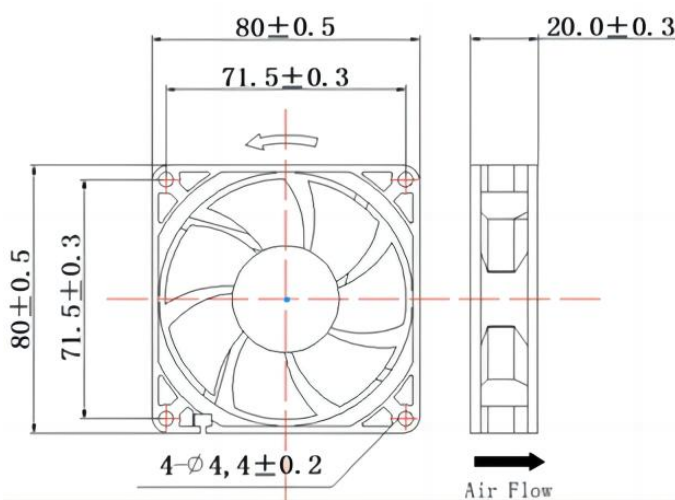


Major Characteristic Parameters



MODEL	Bearing System	Rated Voltage (V)	Rated Current (A)	Input Power (W)	Speed (RPM)	Max Air Flow (CFM)	Max Static Pressure (mm H2O)	Noise (dBA)	Weight (g)
FD1280207S(B)	S/B	12	0.25	3.00	3500	36.37	3.84	34.0	75
FD1280205S(B)	S/B	12	0.18	2.16	3000	31.53	3.03	31.0	75
FD1280203S(B)	S/B	12	0.12	1.44	2500	25.87	2.17	27.0	75
FD1280201S(B)	S/B	12	0.08	0.96	2000	20.42	1.42	22.0	75
FD2480207S(B)	S/B	24	0.15	3.60	3500	36.37	3.84	34.0	75
FD2480205S(B)	S/B	24	0.10	2.40	3000	31.53	3.03	31.0	75
FD2480203S(B)	S/B	24	0.08	1.92	2500	25.87	2.17	27.0	75
FD2480201S(B)	S/B	24	0.06	1.44	2000	20.42	1.42	22.0	75

*** B: Two Ball bearing S: Sleeve Bearing * All reading are typical values at rated voltage**
*** Function type optional * Specifications are subject to change without notice**





Size: 80*80*25mm

General Specifications:

Motor: 4 pole brushless DC motor
 Frame: Thermoplastic PBT+30%GF
 Impeller: Thermoplastic PBT+15%GF
 Bearing: Precision Ball Bearing/Sleeve Bearing
 Storage temperature: -40°C to +75°C
 Operating temperature: -10°C to +70°C

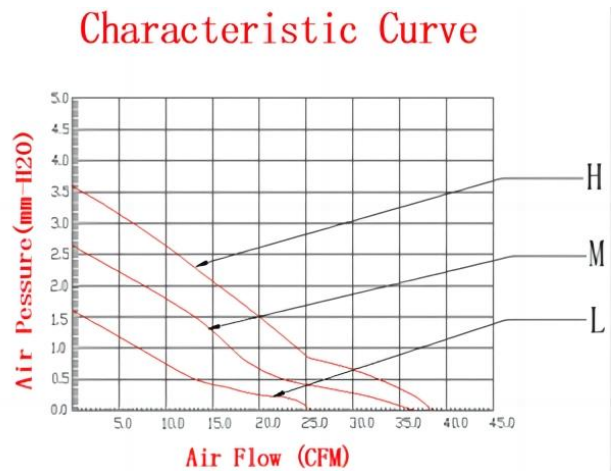
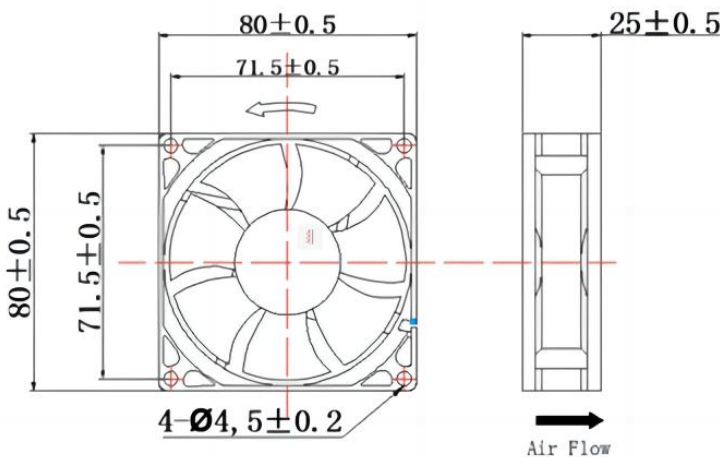


Major Characteristic Parameters



MODEL	Bearing System	Rated Voltage (V)	Rated Current (A)	Input Power (W)	Speed (RPM)	Max Air Flow (CFM)	Max Static Pressure (mm H2O)	Noise (dBA)	Weight (g)
FD0580257S(B)	S/B	5	0.45	2.25	3000	36.99	3.56	31.0	70
FD1280257S(B)	S/B	12	0.21	2.52	3500	43.15	4.67	35.0	70
FD1280255S(B)	S/B	12	0.16	1.92	3000	36.99	3.56	31.0	70
FD1280253S(B)	S/B	12	0.12	1.44	2500	30.61	2.54	26.0	70
FD1280251S(B)	S/B	12	0.08	0.96	2000	23.98	1.66	21.0	70
FD2480257S(B)	S/B	24	0.14	3.36	3500	43.15	4.67	35.0	70
FD2480255S(B)	S/B	24	0.12	2.88	3000	36.99	3.56	31.0	70
FD2480253S(B)	S/B	24	0.08	1.92	2500	30.61	2.54	26.0	70
FD2480251S(B)	S/B	24	0.05	1.20	2000	23.98	1.66	21.0	70
FD4880257S(B)	S/B	48	0.10	4.80	3500	43.15	4.67	35.0	70
FD4880255S(B)	S/B	48	0.07	3.36	3000	36.99	3.56	31.0	70
FD4880253S(B)	S/B	48	0.05	2.40	2500	30.61	2.54	26.0	70

* B: Two Ball bearing S: Sleeve Bearing * All reading are typical values at rated voltage
 * Function type optional * Specifications are subject to change without notice





Size: 80*80*38mm

General Specifications:

Motor: 4 pole brushless DC motor
 Frame: Thermoplastic PBT+30%GF
 Impeller: Thermoplastic PBT+15%GF
 Bearing: Precision Ball Bearing/Sleeve Bearing
 Storage temperature: -40°C to +75°C
 Operating temperature: -10°C to +70°C

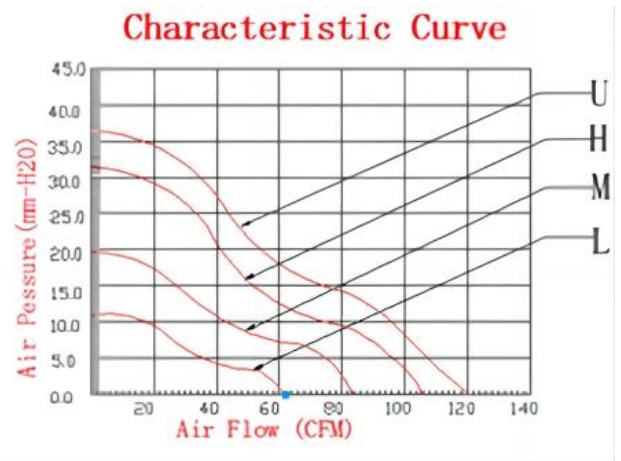
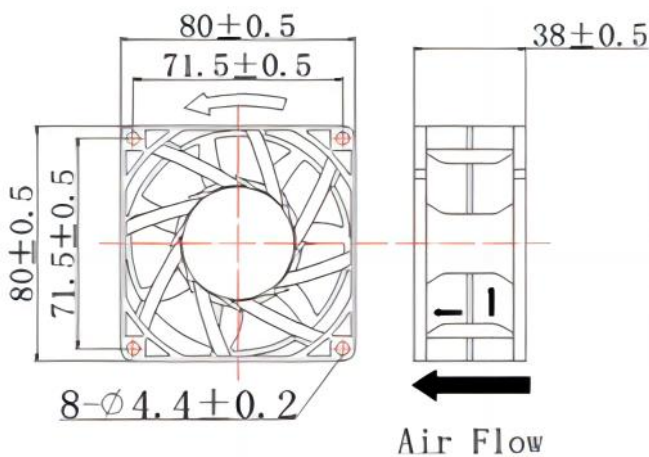


Major Characteristic Parameters



MODEL	Bearing System	Rated Voltage (V)	Rated Current (A)	Input Power (W)	Speed (RPM)	Max Air Flow (CFM)	Max Static Pressure (mm H2O)	Noise (dBA)	Weight (g)
FD1280389S(B)	S/B	12	0.75	9.00	6000	91.04	19.09	58.0	195
FD1280387S(B)	S/B	12	0.65	7.80	5000	74.30	12.80	53.0	195
FD1280385S(B)	S/B	12	0.48	5.76	4000	60.70	8.30	48.0	195
FD1280383S(B)	S/B	12	0.25	3.00	3000	45.50	4.80	40.0	195
FD1280381S(B)	S/B	12	0.12	1.44	2500	34.90	2.82	33.0	195
FD2480387S(B)	S/B	24	0.60	14.40	7000	104.80	26.20	62.0	195
FD2480385S(B)	S/B	24	0.40	9.60	6000	91.04	19.09	58.0	195
FD2480383S(B)	S/B	24	0.35	8.40	5000	74.30	12.80	53.0	195
FD4880389S(B)	S/B	48	0.40	19.20	8000	121.39	34.12	66.0	195
FD4880387S(B)	S/B	48	0.30	14.40	7000	104.80	26.20	62.0	195
FD4880385S(B)	S/B	48	0.20	9.60	6000	91.04	19.09	58.0	195
FD4880383S(B)	S/B	48	0.15	7.20	5000	74.30	12.80	53.0	195

* B: Two Ball bearing S: Sleeve Bearing * All reading are typical values at rated voltage
 * Function type optional * Specifications are subject to change without notice





Size:92*92*25mm

General Specifications:

Motor: 4 pole brushless DC motor
 Frame: Thermoplastic PBT+30%GF
 Impeller: Thermoplastic PBT+15%GF
 Bearing: Precision Ball Bearing/Sleeve Bearing
 Storage temperature: -40°C to +75°C
 Operating temperature:-10°C to +70°C

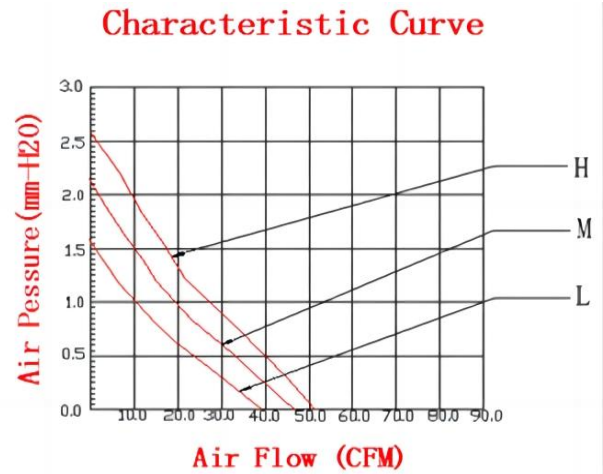
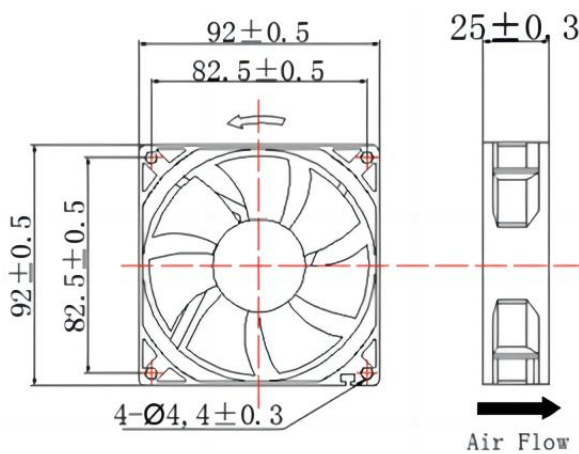


Major Characteristic Parameters



MODEL	Bearing System	Rated Voltage (V)	Rated Current (A)	Input Power (W)	Speed (RPM)	Max Air Flow (CFM)	Max Static Pressure (mm H2O)	Noise (dBA)	Weight (g)
FD1292257S(B)	S/B	12	0.28	3.36	3200	59.52	4.23	36.0	79
FD1292255S(B)	S/B	12	0.20	2.40	2500	46.00	2.78	30.0	79
FD1292253S(B)	S/B	12	0.13	1.56	2000	38.23	1.98	26.0	79
FD2492257S(B)	S/B	24	0.16	1.92	3200	59.52	4.23	36.0	79
FD2492255S(B)	S/B	24	0.12	1.44	2500	46.00	2.78	30.0	79
FD2492253S(B)	S/B	24	0.10	2.40	2000	38.23	1.98	26.0	79
FD4892257S(B)	S/B	48	0.30	14.40	4200	81.98	6.60	45.0	79
FD4892255S(B)	S/B	48	0.25	12.00	3600	68.48	5.48	40.0	79
FD4892253S(B)	S/B	48	0.20	9.60	2900	54.46	3.65	33.0	79
FD4892251S(B)	S/B	48	0.15	7.20	2500	46.00	2.78	30.0	79

*** B: Two Ball bearing S: Sleeve Bearing * All reading are typical values at rated voltage**
*** Function type optional * Specifications are subject to change without notice**





Size:92*92*25mm-1

General Specifications:

Motor: 4 pole brushless DC motor
 Frame: Thermoplastic PBT+30%GF
 Impeller: Thermoplastic PBT+15%GF
 Bearing: Precision Ball Bearing/Sleeve Bearing
 Storage temperature: -40°C to +75°C
 Operating temperature: -10°C to +70°C



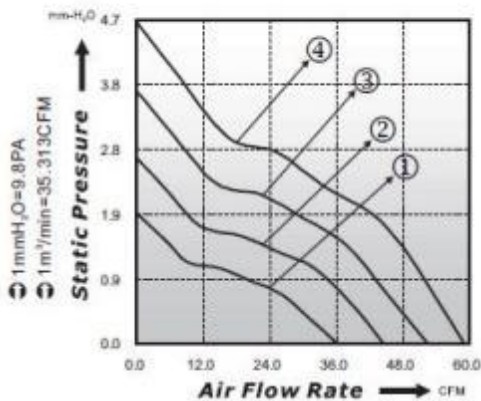
Major Characteristic Parameters



MODEL	Bearing System	Rated Voltage (V)	Rated Current (A)	Input Power (W)	Speed (RPM)	Max Air Flow (CFM)	Max Static Pressure (mm H2O)	Noise (dBA)	Weight (g)
FD1292257S(B)	S/B	12	0.30	3.60	3200	59.04	4.68	36.0	75
FD1292255S(B)	S/B	12	0.25	3.00	2800	52.51	3.67	33.0	75
FD1292253S(B)	S/B	12	0.17	2.04	2400	44.41	2.61	30.0	75
FD1292251S(B)	S/B	12	0.13	1.56	2000	36.22	1.90	26.0	75
FD2492257S(B)	S/B	24	0.18	4.32	3200	59.04	4.68	36.0	75
FD2492255S(B)	S/B	24	0.13	3.12	2800	52.51	3.67	33.0	75
FD2492253S(B)	S/B	24	0.11	2.64	2400	44.41	2.61	30.0	75
FD2492251S(B)	S/B	24	0.06	1.44	2000	36.22	1.90	26.0	75

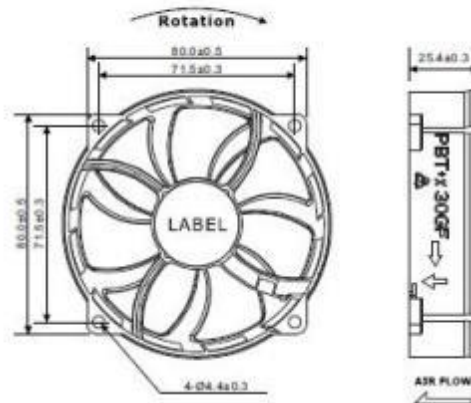
* B: Two Ball bearing S: Sleeve Bearing * All reading are typical values at rated voltage
 * Function type optional * Specifications are subject to change without notice

P-Q Curve (At Rated Voltage)



Dimensions Drawing

Unit: (mm)





Size:92*92*38mm

General Specifications:

Motor: 4 pole brushless DC motor
 Frame: Thermoplastic PBT+30%GF
 Impeller: Thermoplastic PBT+15%GF
 Bearing: Precision Ball Bearing/Sleeve Bearing
 Storage temperature: -40°C to +75°C
 Operating temperature: -10°C to +70°C

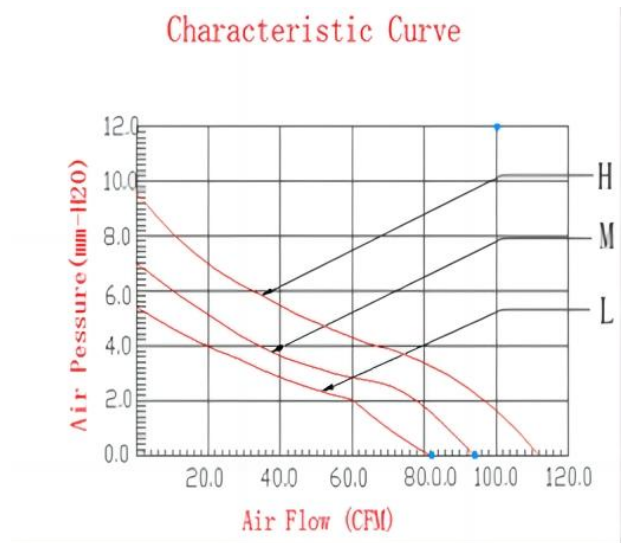
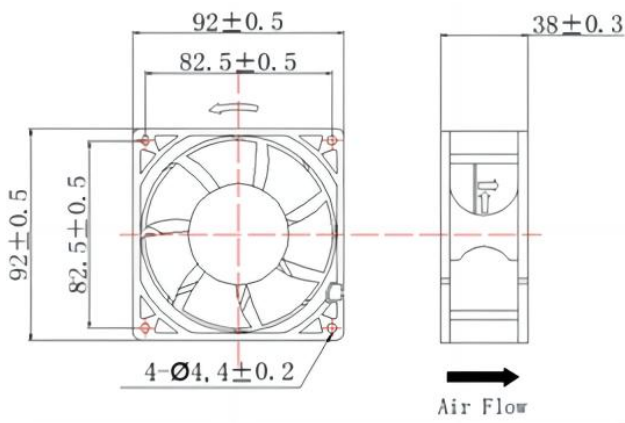


Major Characteristic Parameters



MODEL	Bearing System	Rated Voltage (V)	Rated Current (A)	Input Power (W)	Speed (RPM)	Max Air Flow (CFM)	Max Static Pressure (mm H2O)	Noise (dBA)	Weight (g)
FD1292387S(B)	S/B	12	1.60	19.20	5200	116.53	19.60	57.0	205
FD1292385S(B)	S/B	12	1.20	14.40	4400	99.00	14.40	52.0	205
FD1292383S(B)	S/B	12	0.80	9.60	3600	81.25	9.46	47.0	205
FD1292381S(B)	S/B	12	0.50	6.00	2800	61.07	5.41	41.0	205
FD1292387S(B)	S/B	24	0.80	19.20	5200	116.53	19.60	57.0	205
FD2492385S(B)	S/B	24	0.60	14.40	4400	99.00	14.40	52.0	205
FD2492383S(B)	S/B	24	0.40	9.60	3600	81.25	9.46	47.0	205
FD2492381S(B)	S/B	24	0.25	6.00	2800	61.07	5.41	41.0	205
FD4892387S(B)	S/B	48	0.40	19.20	5200	116.53	19.60	57.0	205
FD4892385S(B)	S/B	48	0.30	14.40	4400	99.00	14.40	52.0	205
FD4892383S(B)	S/B	48	0.20	9.60	3600	81.25	9.46	47.0	205

* B: Two Ball bearing S: Sleeve Bearing * All reading are typical values at rated voltage
 * Function type optional * Specifications are subject to change without notice





Size: 92*92*38mm Max air flow

General Specifications:

Motor: 4 pole brushless DC motor
 Frame: Thermoplastic PBT+30%GF
 Impeller: Thermoplastic PBT+15%GF
 Bearing: Precision Ball Bearing/Sleeve Bearing
 Storage temperature: -40°C to +75°C
 Operating temperature: -10°C to +70°C

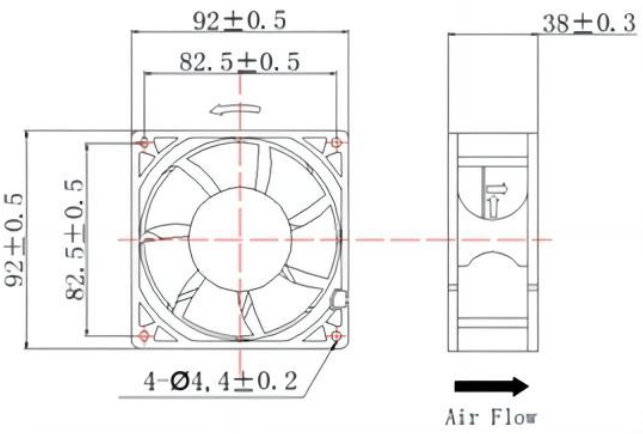


Major Characteristic Parameters

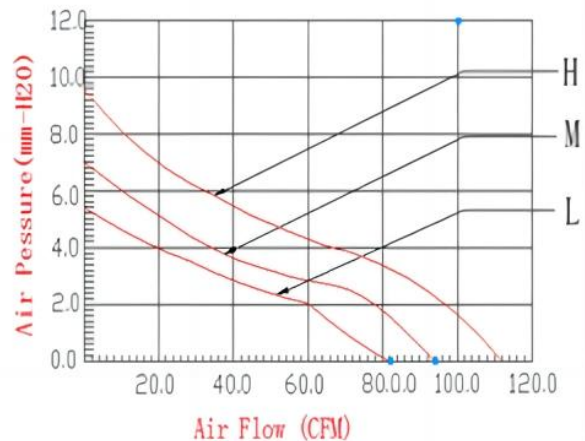


Model 型号	Bearing Type 轴承类型	Rated Voltage 额定电压	Current 电流	Speed 转速	Air Flow 风量	Pressure 风压	Noise 噪音	Weight 重量
		VDC	A	RPM	CFM	mmH2O	dBA	g
FD4892389S/B	Sleeve/Ball	48	0.30	5000	118.21	15.16	55.4	160
FD4892387S/B			0.20	4400	105.3	15.16	52.8	
FD4892385S/B			0.15	3800	88.21	10.68	48.1	
FD4892383S/B			0.10	3200	72.19	7.89	43.1	
FD2492389S/B	Sleeve/Ball	24	0.55	5000	118.21	17.15	55.4	
FD2492387S/B			0.40	4400	105.3	15.16	52.8	
FD2492385S/B			0.30	3800	88.21	10.68	48.1	
FD2492383S/B			0.20	3200	72.19	7.89	43.1	
FD1292387S/B	Sleeve/Ball	12	1.10	5000	118.21	17.15	55.4	
FD1292389S/B			0.80	4400	105.3	15.16	52.8	
FD1292385S/B			0.60	3800	88.21	10.68	48.1	
FD1292383S/B			0.40	3200	72.19	7.89	43.1	

* B: Two Ball bearing S: Sleeve Bearing * All reading are typical values at rated voltage
 * Function type optional * Specifications are subject to change without notice



Characteristic Curve





Size: 100*100*12mm

General Specifications:

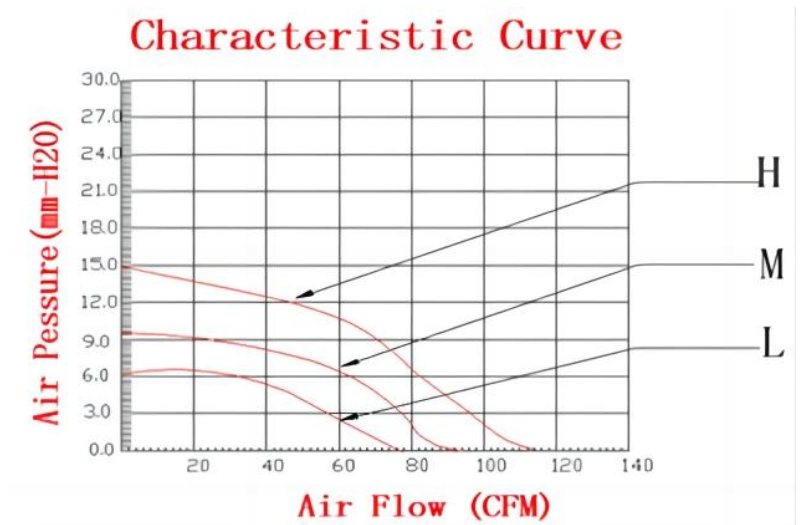
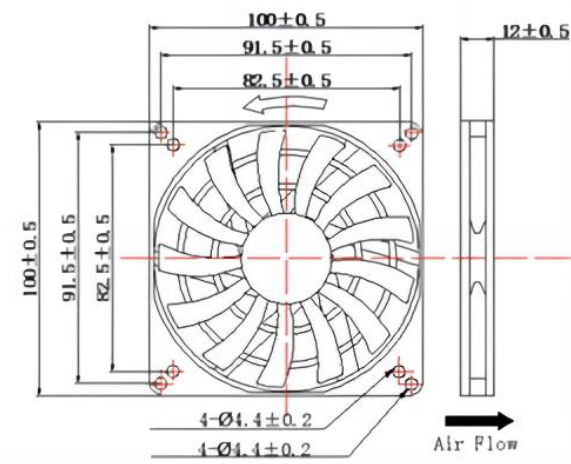
Motor: 4 pole brushless DC motor
 Frame: Thermoplastic PBT+30%GF
 Impeller: Thermoplastic PBT+15%GF
 Bearing: Precision Ball Bearing/Sleeve Bearing
 Storage temperature: -40°C to +75°C
 Operating temperature: -10°C to +70°C



Major Characteristic Parameters

Model 型号	Bearing Type 轴承类型	Rated Voltage 额定电压	Current 电流	Speed 转速	Air Flow 风量	Pressure 风压	Noise 噪音	Weight 重量
		VDC	A	RPM	CFM	mmH ₂ O	dBA	g
FD2410127S	Sleeve	24	0.20	2400	48.45	2.06	35.83	85
FD2410125S			0.15	2000	38.32	1.82	28.43	
FD2410123S			0.12	1600	30.12	1.45	22.5	
FD1210127S	Sleeve	12	0.3	2400	48.45	2.06	35.83	
FD1210125S			0.25	2000	38.32	1.82	28.43	
FD1210123S			0.20	1600	30.12	1.45	22.5	

* B: Two Ball bearing S: Sleeve Bearing * All reading are typical values at rated voltage
 * Function type optional * Specifications are subject to change without notice





Size: 120*120*25mm

General Specifications:

Motor: 4 pole brushless DC motor
 Frame: Thermoplastic PBT+30%GF
 Impeller: Thermoplastic PBT+15%GF
 Bearing: Precision Ball Bearing/Sleeve Bearing
 Storage temperature: -40°C to +75°C
 Operating temperature: -10°C to +70°C

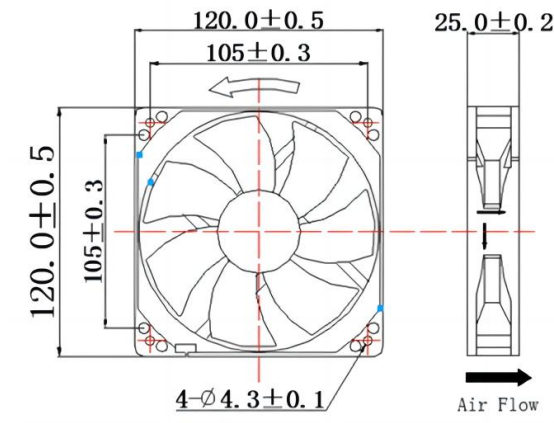


Major Characteristic Parameters

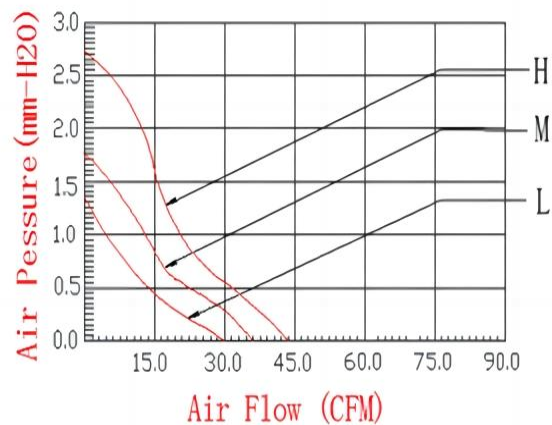


MODEL	Bearing System	Rated Voltage (V)	Rated Current (A)	Input Power (W)	Speed (RPM)	Max Air Flow (CFM)	Max Static Pressure (mm H2O)	Noise (dBA)	Weight (g)
FD12120257S(B)	S/B	12	0.28	3.36	2300	87.00	4.10	37.0	145
FD12120255S(B)	S/B	12	0.20	2.40	2000	76.45	3.34	33.0	145
FD12120253S(B)	S/B	12	0.13	1.56	1800	58.87	2.13	30.0	145
FD24120257S(B)	S/B	24	0.25	6.00	3000	106.73	5.90	41.0	145
FD24120255S(B)	S/B	24	0.15	3.60	2300	87.00	4.10	37.0	145
FD24120253S(B)	S/B	24	0.10	2.40	2000	76.45	3.34	33.0	145
FD48120257S(B)	S/B	48	0.18	8.64	3000	106.73	5.90	41.0	145
FD48120255S(B)	S/B	48	0.14	6.72	2300	87.00	4.10	37.0	145
FD48120253S(B)	S/B	48	0.10	4.80	2000	76.45	3.34	33.0	145
FD05120257S(B)	S/B	5	0.45	2.25	2000	76.45	3.34	33.0	145

* B: Two Ball bearing S: Sleeve Bearing * All reading are typical values at rated voltage
 * Function type optional * Specifications are subject to change without notice



Characteristic Curve





Size: 120*120*25mm Max air flow

General Specifications:

Motor: 4 pole brushless DC motor
 Frame: Thermoplastic PBT+30%GF
 Impeller: Thermoplastic PBT+15%GF
 Bearing: Precision Ball Bearing/Sleeve Bearing
 Storage temperature: -40°C to +75°C
 Operating temperature: -10°C to +70°C

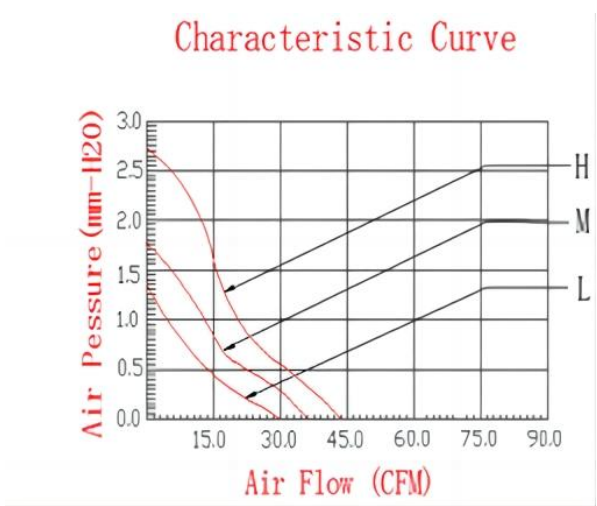
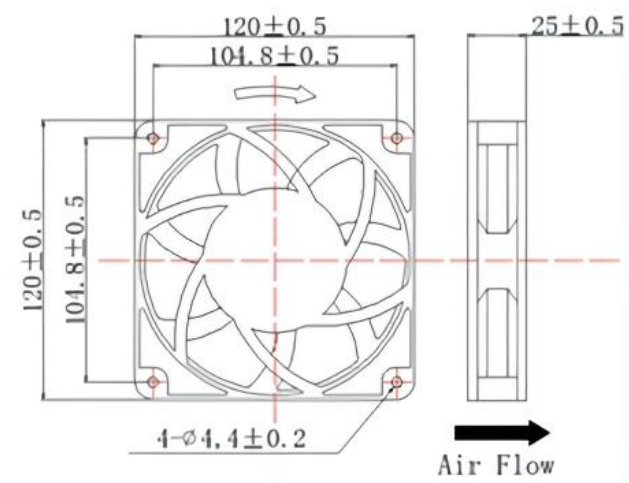


Major Characteristic Parameters



Model 型号	Bearing Type 轴承类型	Rated Voltage	Current	Speed	Air Flow	Pressure	Noise	Weight
		额定电压	电流	转速	风量	风压	噪音	重量
		VDC	A	RPM	CFM	mmH ₂ O	dBA	g
FD4812259S/B	Sleeve/Ball	48	0.33	5500	165.48	18.07	59.0	150
FD4812257S/B			0.21	4500	135.93	12.19	53.8	
FD4812255S/B			0.15	3500	106.38	7.45	47.2	
FD4812253S/B			0.08	2500	91.60	4.61	36.8	
FD2412259S/B	Sleeve/Ball	24	0.66	5500	165.48	18.07	59.0	
FD2412257S/B			0.42	4500	135.93	12.19	53.8	
FD2412255S/B			0.3	3500	106.38	7.45	47.2	
FD2412253S/B			0.15	2500	91.60	4.61	36.8	
FD1212259S/B	Sleeve/Ball	12	1.32	5500	165.48	18.07	59.0	
FD1212257S/B			0.84	4500	135.93	12.19	53.8	
FD1212255S/B			0.6	3500	106.38	7.45	47.2	
FD1212253S/B			0.3	2500	91.60	4.61	36.8	

* B: Two Ball bearing S: Sleeve Bearing * All reading are typical values at rated voltage
 * Function type optional * Specifications are subject to change without notice





Size: 120*120*38mm

General Specifications:

Motor: 4 pole brushless DC motor
 Frame: Thermoplastic PBT+30%GF
 Impeller: Thermoplastic PBT+15%GF
 Bearing: Precision Ball Bearing/Sleeve Bearing
 Storage temperature: -40°C to +75°C
 Operating temperature: -10°C to +70°C

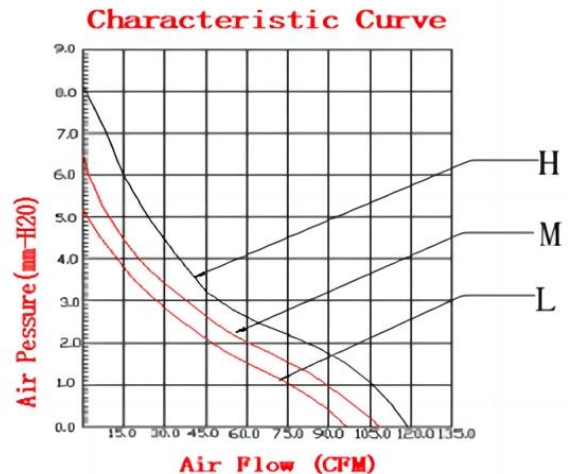
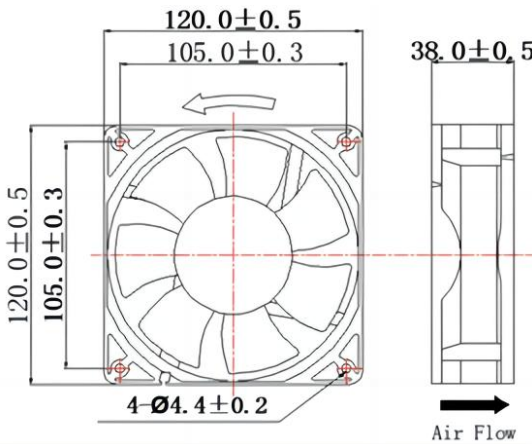


Major Characteristic Parameters



Model 型号	Bearing Type 轴承类型	Rated Voltage 额定电压	Current 电流	Speed 转速	Air Flow 风量	Pressure 风压	Noise 噪音	Weight 重量
		VDC	A	RPM	CFM	mmH ₂ O	dBA	g
FD4812389S/B	S/B	48	0.25	3600	142.80	11.71	50.2	260
FD4812387S/B			0.16	3200	126.93	9.25	47.8	
FD4812385S/B			0.12	2600	103.03	6.11	41.7	
FD4812383S/B			0.09	2000	79.25	4.70	32.1	
FD2412389S/B		24	0.49	3600	142.80	11.71	50.2	
FD2412387S/B			0.33	3200	126.93	9.25	47.8	
FD2412385S/B			0.25	2600	103.03	6.11	41.7	
FD2412383S/B			0.15	2000	79.25	4.70	32.1	
FD1212389S/B		12	0.98	3600	142.80	11.71	50.2	
FD1212387S/B			0.66	3200	126.93	9.25	47.8	
FD1212385S/B			0.5	2600	103.03	6.11	41.7	
FD1212383S/B			0.3	2000	79.25	4.70	32.1	

* B: Two Ball bearing S: Sleeve Bearing * All reading are typical values at rated voltage
 * Function type optional * Specifications are subject to change without notice





Size: 120*120*38mm Max air flow

General Specifications:

- Motor: 4 pole brushless DC motor
- Frame: Thermoplastic PBT+30%GF
- Impeller: Thermoplastic PBT+15%GF
- Bearing: Precision Ball Bearing/Sleeve Bearing
- Storage temperature: -40°C to +75°C
- Operating temperature: -10°C to +70°C

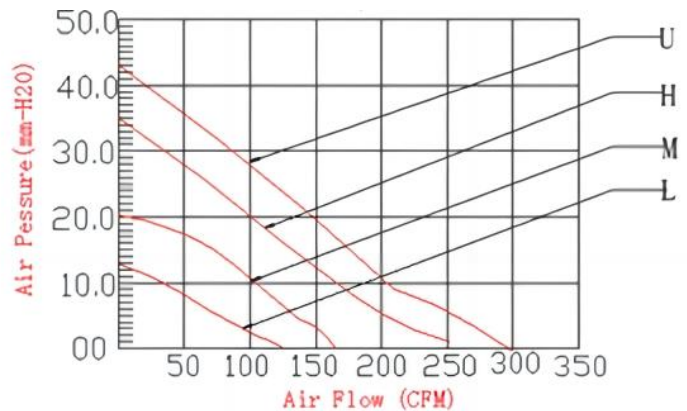
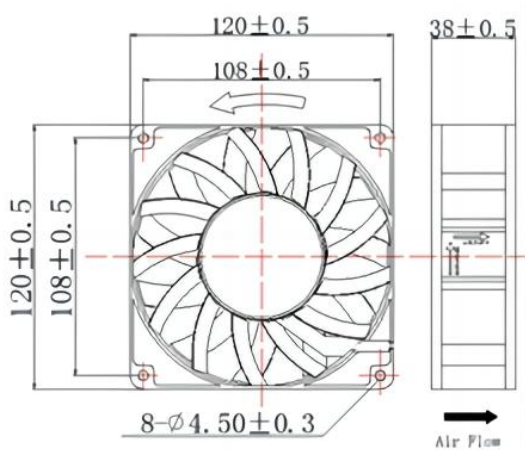


Major Characteristic Parameters



Model 型号	Bearing Type 轴承类型	Rated Voltage 额定电压	Current 电流	Speed 转速	Air Flow 风量	Pressure 风压	Noise 噪音	Weight 重量
		VDC	A	RPM	CFM	mmH2O	dBA	g
FD4892389S/B	S/B	48	0.30	5000	118.21	15.16	55.4	160
FD4892387S/B			0.20	4400	105.3	15.16	52.8	
FD4892385S/B			0.15	3800	88.21	10.68	48.1	
FD4892383S/B			0.10	3200	72.19	7.89	43.1	
FD2492389S/B	S/B	24	0.55	5000	118.21	17.15	55.4	
FD2492387S/B			0.40	4400	105.3	15.16	52.8	
FD2492385S/B			0.30	3800	88.21	10.68	48.1	
FD2492383S/B			0.20	3200	72.19	7.89	43.1	
FD1292387S/B	S/B	12	1.10	5000	118.21	17.15	55.4	
FD1292389S/B			0.80	4400	105.3	15.16	52.8	
FD1292385S/B			0.60	3800	88.21	10.68	48.1	
FD1292383S/B			0.40	3200	72.19	7.89	43.1	

* B: Two Ball bearing S: Sleeve Bearing * All reading are typical values at rated voltage
 * Function type optional * Specifications are subject to change without notice





Size:140*140*25mm

General Specifications:

Motor: 4 pole brushless DC motor
 Frame: Thermoplastic PBT+30%GF
 Impeller: Thermoplastic PBT+15%GF
 Bearing: Precision Ball Bearing/Sleeve Bearing
 Storage temperature: -40°C to +75°C
 Operating temperature:-10°C to +70°C

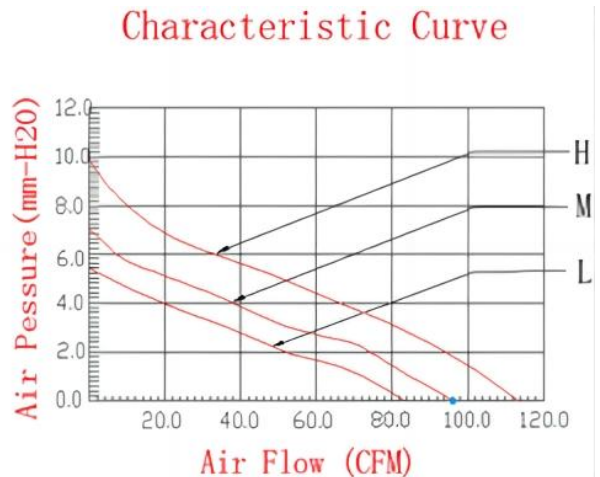
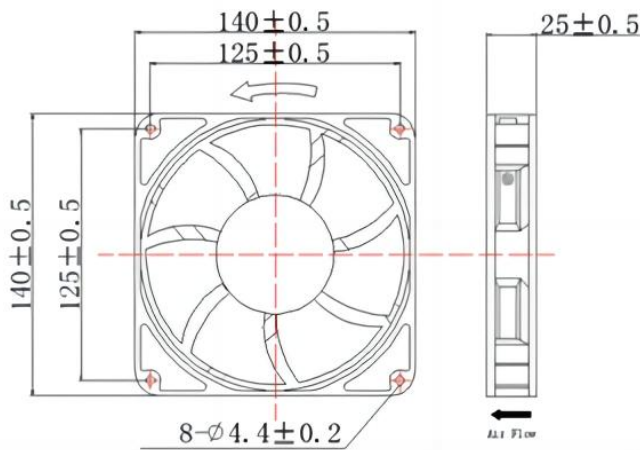


Major Characteristic Parameters



MODEL	Bearing System	Rated Voltage (V)	Rated Current (A)	Input Power (W)	Speed (RPM)	Max Air Flow (CFM)	Max Static Pressure (mm H2O)	Noise (dBA)	Weight (g)
FD12140257S(B)	S/B	12	0.47	5.64	1800	114.39	2.61	38.0	164
FD12140255S(B)	S/B	12	0.35	4.20	1500	98.07	1.99	32.0	164
FD12140253S(B)	S/B	12	0.21	2.52	1200	84.82	1.49	26.0	164
FD12140251S(B)	S/B	12	0.17	2.04	900	61.26	0.82	22.0	164
FD24140257S(B)	S/B	24	0.25	6.00	1800	114.39	2.61	38.0	164
FD24140255S(B)	S/B	24	0.18	4.32	1500	98.07	1.99	32.0	164
FD24140253S(B)	S/B	24	0.12	2.88	1200	84.82	1.49	26.0	164
FD24140251S(B)	S/B	24	0.09	2.16	900	61.26	0.82	22.0	164

*** B: Two Ball bearing S: Sleeve Bearing * All reading are typical values at rated voltage**
*** Function type optional * Specifications are subject to change without notice**





Size: 172*150*51mm

General Specifications:

Motor: 4 pole brushless DC motor
 Frame: Thermoplastic PBT+30%GF
 Impeller: Thermoplastic PBT+15%GF
 Bearing: Precision Ball Bearing/Sleeve Bearing
 Storage temperature: -40°C to +75°C
 Operating temperature: -10°C to +70°C

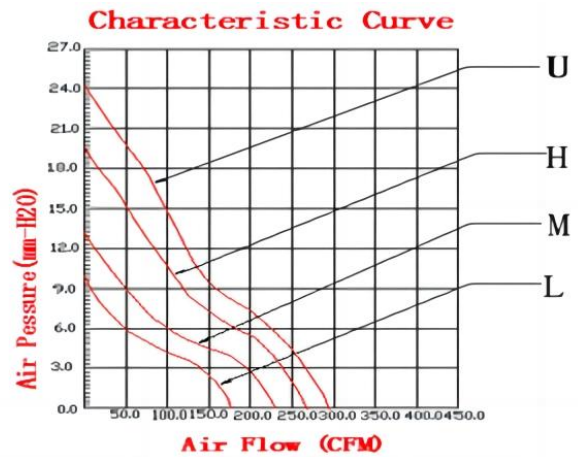
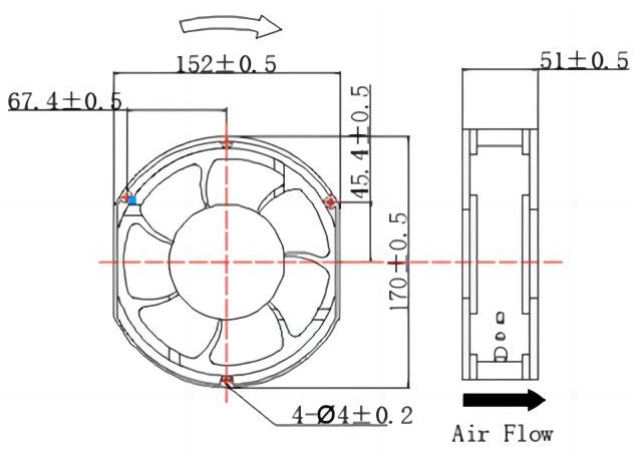


Major Characteristic Parameters



MODEL	Bearing System	Rated Voltage (V)	Rated Current (A)	Input Power (W)	Speed (RPM)	Max Air Flow (CFM)	Max Static Pressure (mm H2O)	Noise (dBA)	Weight (g)
FD12172517S(B)	S/B	12	2.00	24.00	3500	306.00	24.60	60.0	600
FD12172515S(B)	S/B	12	1.50	18.00	3000	259.90	17.60	55.0	600
FD12172513S(B)	S/B	12	1.10	13.20	2500	219.30	12.25	50.0	600
FD24172517S(B)	S/B	24	1.50	36.00	4000	350.91	27.00	65.0	600
FD24172515S(B)	S/B	24	1.20	28.80	3500	306.00	24.60	60.0	600
FD24172513S(B)	S/B	24	0.90	21.60	3000	259.90	17.60	55.0	600
FD24172511S(B)	S/B	24	0.60	14.40	2500	219.30	12.25	50.0	600
FD48172517S(B)	S/B	48	0.90	43.20	4000	350.91	27.00	65.0	600
FD48172515S(B)	S/B	48	0.70	33.60	3500	306.00	24.60	60.0	600
FD48172513S(B)	S/B	48	0.50	24.00	3000	259.90	17.60	55.0	600
FD48172511S(B)	S/B	48	0.30	14.40	2500	219.30	12.25	50.0	600

* B: Two Ball bearing S: Sleeve Bearing * All reading are typical values at rated voltage
 * Function type optional * Specifications are subject to change without notice





NEW Size: 225*225*80mm

General Specifications:

Motor: 4 pole brushless DC motor
 Frame: Thermoplastic PBT+30%GF
 Impeller: Thermoplastic PBT+15%GF
 Bearing: Precision Ball Bearing/Sleeve Bearing
 Storage temperature: -40°C to +75°C
 Operating temperature: -10°C to +70°C

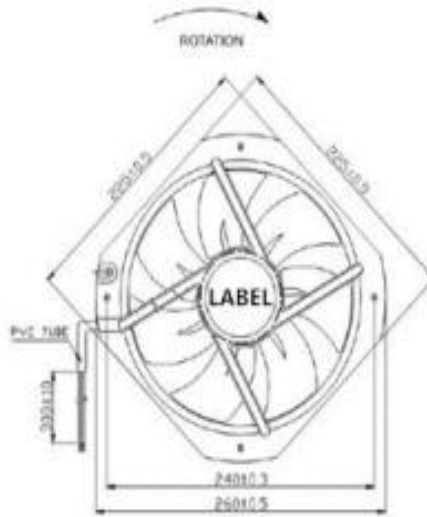
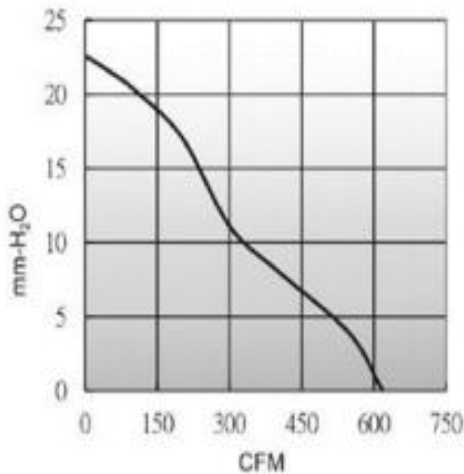


Major Characteristic Parameters



MODEL	Bearing System	Rated Voltage (V)	Rated Current (A)	Input Power (W)	Speed (RPM)	Max Air Flow (CFM)	Max Static Pressure (mm H2O)	Noise (dBA)	Weight (g)
FD24225807S(B)	S/B	24	2.40	57.60	2950	618.00	21.20	60.0	2100
FD48225807S(B)	S/B	48	1.20	57.60	2950	618.00	21.20	60.0	2100

* B: Two Ball bearing S: Sleeve Bearing * All reading are typical values at rated voltage
 * Function type optional * Specifications are subject to change without notice





NEW Size: \varnothing 254*89mm

General Specifications:

Motor: 4 pole brushless DC motor
 Frame: Thermoplastic PBT+30%GF
 Impeller: Thermoplastic PBT+15%GF
 Bearing: Precision Ball Bearing/Sleeve Bearing
 Storage temperature: -40°C to +75°C
 Operating temperature: -10°C to +70°C



Major Characteristic Parameters

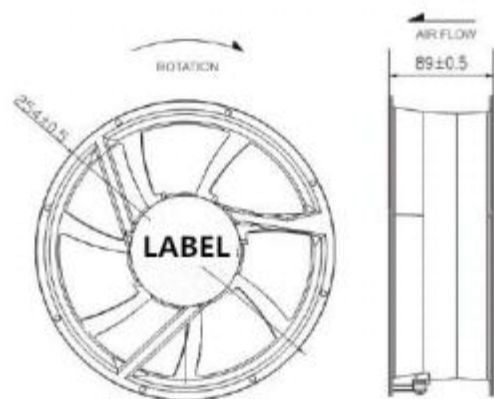
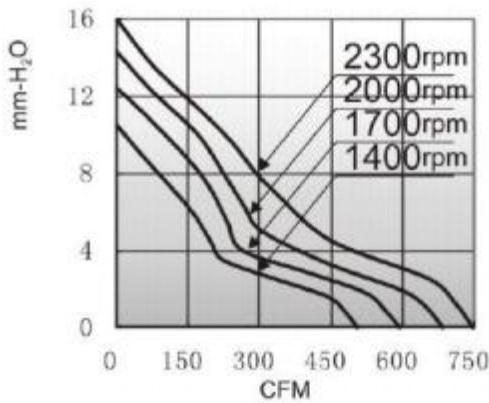


MODEL	Bearing System	Rated Voltage (V)	Rated Current (A)	Input Power (W)	Speed (RPM)	Max Air Flow (CFM)	Max Static Pressure (mm H ₂ O)	Noise (dBA)	Weight (g)
FD24254899S(B)	S/B	24	2.40	57.60	2300	747.00	15.97	71.0	1550
FD24254897S(B)	S/B	24	2.10	50.40	2000	684.00	14.32	63.0	1550
FD24254895S(B)	S/B	24	1.30	31.20	1700	595.00	12.45	59.0	1550
FD24254893S(B)	S/B	24	0.80	19.20	1400	506.00	10.59	52.0	1550
FD48254899S(B)	S/B	48	2.00	96.00	2300	747.00	15.97	71.0	1550
FD48254897S(B)	S/B	48	1.30	62.40	2000	684.00	14.32	63.0	1550
FD48254895S(B)	S/B	48	1.00	48.00	1700	595.00	12.45	59.0	1550
FD48254893S(B)	S/B	48	0.63	30.24	1400	506.00	10.59	52.0	1550

* B: Two Ball bearing S: Sleeve Bearing * All reading are typical values at rated voltage
 * Function type optional * Specifications are subject to change without notice

■ P.Q Curve(At Rated Voltage)

■ Dimensions Drawing



unit:mm



DC BLOWER FAN

Size: 40*40*10mm

General Specifications:

- Motor: 4 pole brushless DC motor
- Frame: Thermoplastic PBT+30%GF
- Impeller: Thermoplastic PBT+15%GF
- Bearing: Precision Ball Bearing/Sleeve Bearing
- Storage temperature: -40°C to +75°C
- Operating temperature: -10°C to +70°C

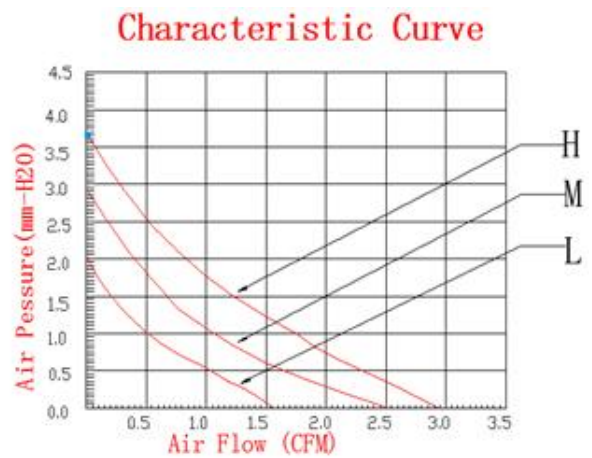
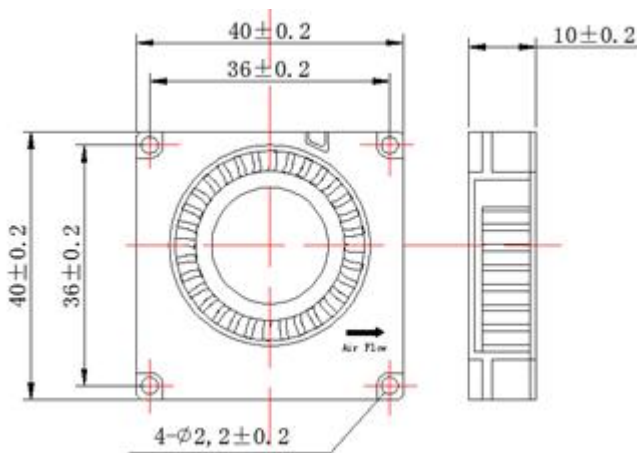


Major Characteristic Parameters



Model 型号	Bearing Type 轴承类型	Rated Voltage	Current	Speed	Air Flow	Pressure	Noise	Weight
		额定电压	电流	转速	风量	风压	噪音	重量
		VDC	A	RPM	CFM	mmH ₂ O	dBA	g
BD0540107S/B	S/B	5	0.15	6200	1.82	7.87	34.2	12
BD0540105S/B			0.10	5500	1.60	6.68	31.0	
BD0540103S/B			0.08	4700	1.42	5.67	26.0	
BD1240107S/B		12	0.12	6200	1.82	7.87	34.2	
BD1240105S/B			0.09	5500	1.60	6.68	31.0	
BD1240103S/B			0.06	4700	1.42	5.67	26.0	

* B: Two Ball bearing S: Sleeve Bearing * All reading are typical values at rated voltage
 * Function type optional * Specifications are subject to change without notice

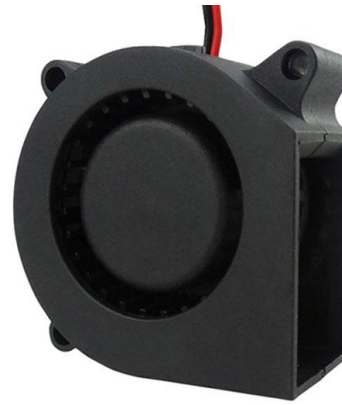




Size:40*40*20 mm

General Specifications:

Motor: 4 pole brushless DC motor
 Frame: Thermoplastic PBT+30%GF
 Impeller: Thermoplastic PBT+15%GF
 Bearing: Precision Ball Bearing/Sleeve Bearing
 Storage temperature: -40°C to +75°C
 Operating temperature: -10°C to +70°C

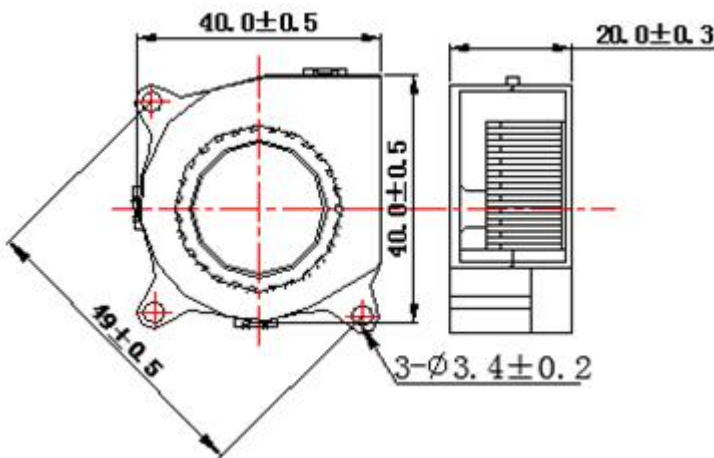


Major Characteristic Parameters

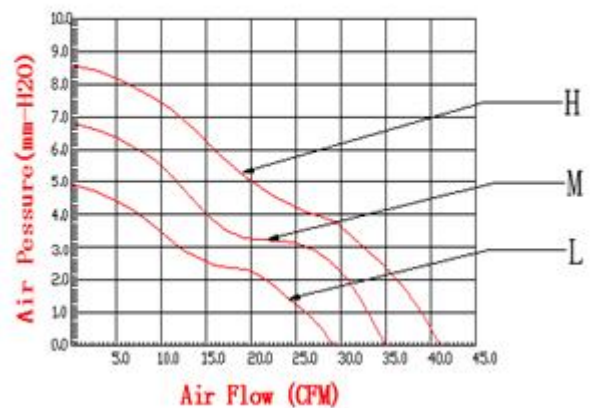


Model 型号	Bearing Type 轴承类型	Rated Voltage 额定电压	Current 电流	Speed 转速	Air Flow 风量	Pressure 风压	Noise 噪音	Weight 重量
		VDC	A	RPM	CFM	mmH ₂ O	dBA	g
BD0540207S/B	S/B	5	1.25	5500	2.54	18.10	41.0	25
BD0540205S/B			0.80	4500	2.08	11.20	32.0	
BD0540203S/B			0.60	3500	1.62	7.00	27.0	
BD1240207S/B		12	2.16	6500	2.97	22.00	45.0	
BD1240205S/B			1.80	5500	2.54	18.10	41.0	
BD1240203S/B			1.32	4500	2.08	11.20	32.0	
BD1240201S/B			1.08	3500	1.62	7.00	27.0	

* B: Two Ball bearing S: Sleeve Bearing * All reading are typical values at rated voltage
 * Function type optional * Specifications are subject to change without notice



Characteristic Curve





Size:50*50*10 mm

General Specifications:

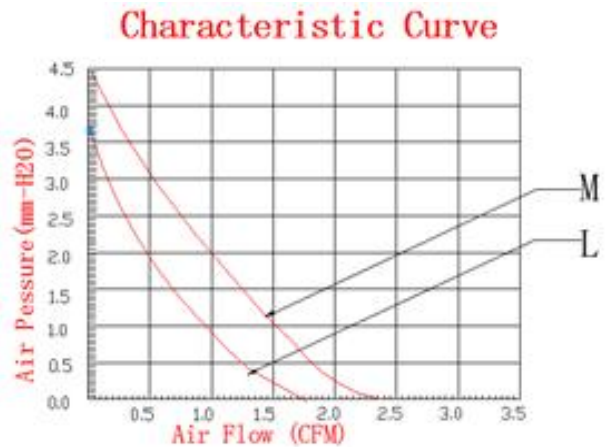
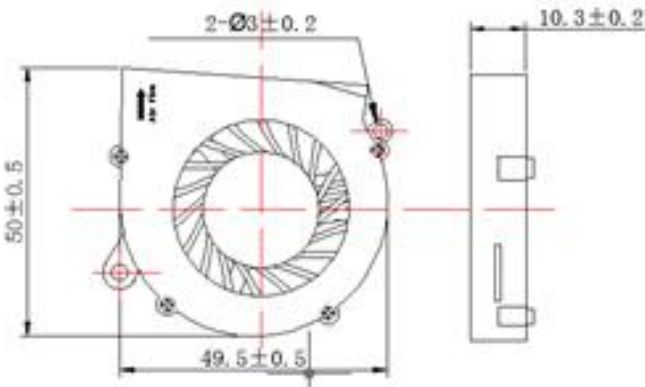
- Motor: 4 pole brushless DC motor
- Frame: Thermoplastic PBT+30%GF
- Impeller: Thermoplastic PBT+15%GF
- Bearing: Precision Ball Bearing/Sleeve Bearing
- Storage temperature: -40°C to +75°C
- Operating temperature: -10°C to +70°C



Major Characteristic Parameters

Model 型号	Bearing Type 轴承类型	Rated Voltage	Current	Speed	Air Flow	Pressure	Noise	Weight
		额定电压 VDC	电流 A	转速 RPM	风量 CFM	风压 mmH ₂ O	噪音 dBA	重量 g
BD1250107S/B	S/B	12	0.09	5800	2.7	8.64	37	21
BD1250105S/B			0.07	5000	2.3	6.36	31.1	
BD1250103S/B			0.06	4000	1.79	4.06	26.7	
BD0550107S/B		5	0.09	5000	2.3	6.36	31.1	
BD0550105S/B			0.07	4000	1.79	4.06	26.7	

* B: Two Ball bearing S: Sleeve Bearing * All reading are typical values at rated voltage
 * Function type optional * Specifications are subject to change without notice





Size:50*50*15mm

General Specifications:

Motor: 4 pole brushless DC motor
 Frame: Thermoplastic PBT+30%GF
 Impeller: Thermoplastic PBT+15%GF
 Bearing: Precision Ball Bearing/Sleeve Bearing
 Storage temperature: -40°C to +75°C
 Operating temperature:-10°C to +70°C

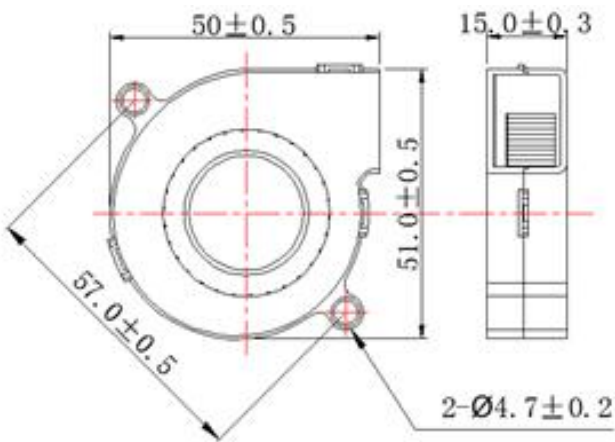


Major Characteristic Parameters

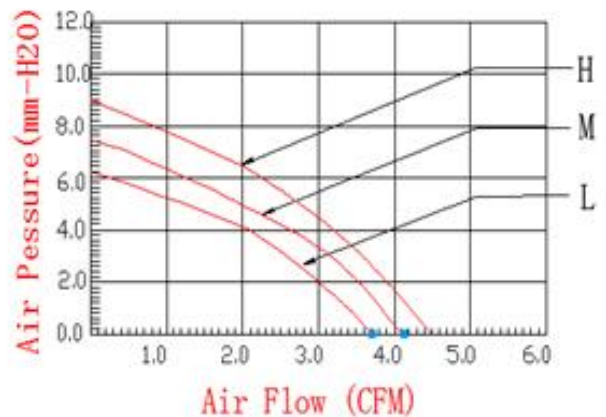


MODEL	Bearing System	Rated Voltage (V)	Rated Current (A)	Input Power (W)	Speed (RPM)	Max Air Flow (CFM)	Max Static Pressure (mm H2O)	Noise (dBA)	Weight (g)
BD1250157S(B)	S/B	12	0.30	3.60	6500	5.16	24.80	45.0	26
BD1250155S(B)	S/B	12	0.20	2.40	5500	4.31	15.80	40.0	26
BD1250153S(B)	S/B	12	0.16	1.92	4500	3.49	9.41	31.0	26
BD1250151S(B)	S/B	12	0.12	1.44	3500	2.66	4.99	27.0	26
BD2450157S(B)	S/B	24	0.15	3.60	6500	5.16	24.80	45.0	26
BD2450155S(B)	S/B	24	0.12	2.88	5500	4.31	15.80	40.0	26
BD2450153S(B)	S/B	24	0.10	2.40	4500	3.49	9.41	31.0	26
BD2450151S(B)	S/B	24	0.06	1.44	3500	2.66	4.99	27.0	26

*** B: Two Ball bearing S: Sleeve Bearing * All reading are typical values at rated voltage**
*** Function type optional * Specifications are subject to change without notice**



Characteristic Curve





Size: 50*50*20 mm

General Specifications:

- Motor: 4 pole brushless DC motor
- Frame: Thermoplastic PBT+30%GF
- Impeller: Thermoplastic PBT+15%GF
- Bearing: Precision Ball Bearing/Sleeve Bearing
- Storage temperature: -40°C to +75°C
- Operating temperature: -10°C to +70°C

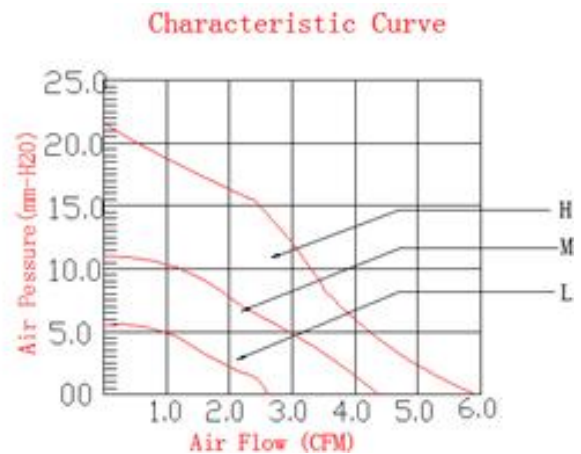
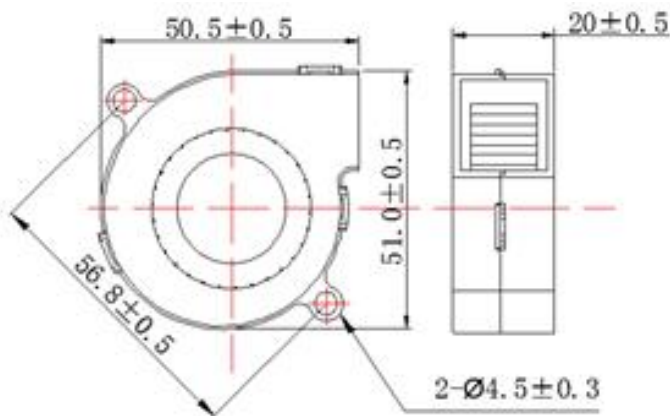


Major Characteristic Parameters



Model 型号	Bearing Type 轴承类型	Rated Voltage 额定电压	Current 电流	Speed 转速	Air Flow 风量	Pressure 风压	Noise 噪音	Weight 重量	
		VDC	A	RPM	CFM	mmH ₂ O	dBA	g	
BD2450207S/B	S/B	24	0.13	6000	5.8	21.3	42.2	32	
BD2450205S/B			0.09	5000	4.5	11.7	39.1		
BD2450203S/B			0.05	4000	3.4	6.3	31.5		
BD1250207S/B		12	0.25	6000	5.8	21.3	42.2		
BD1250205S/B			0.16	5000	4.5	11.7	39.1		
BD1250203S/B			0.09	4000	3.4	6.3	31.5		
BD0550207S/B		5	5	0.50	6000	5.8	21.3		42.2
BD0550205S/B				0.32	5000	4.5	11.7		39.1
BD0550203S/B				0.18	4000	3.4	6.3		31.5

* B: Two Ball bearing S: Sleeve Bearing * All reading are typical values at rated voltage
 * Function type optional * Specifications are subject to change without notice





Size:60*60*15mm

General Specifications:

Motor: 4 pole brushless DC motor
 Frame: Thermoplastic PBT+30%GF
 Impeller: Thermoplastic PBT+15%GF
 Bearing: Precision Ball Bearing/Sleeve Bearing
 Storage temperature: -40°C to +75°C
 Operating temperature:-10°C to +70°C

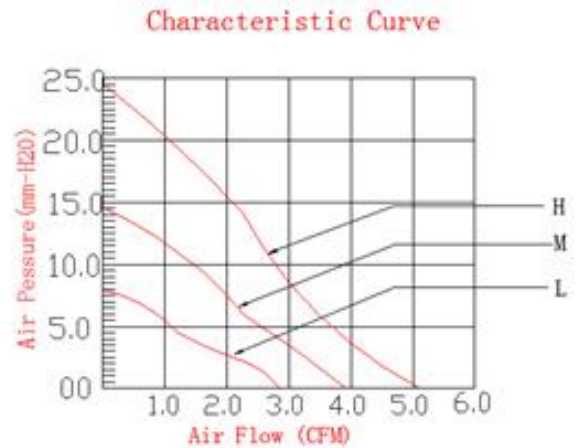
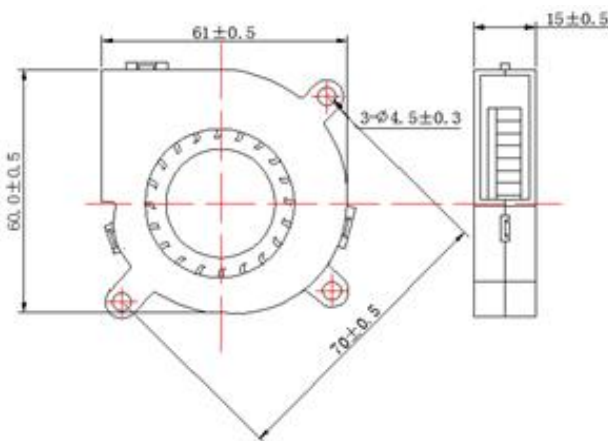


Major Characteristic Parameters



MODEL	Bearing System	Rated Voltage (V)	Rated Current (A)	Input Power (W)	Speed (RPM)	Max Air Flow (CFM)	Max Static Pressure (mm H2O)	Noise (dBA)	Weight (g)
BD0560157S(B)	S/B	5	0.35	1.75	5500	3.77	18.10	37.0	26
BD0560155S(B)	S/B	5	0.26	1.30	4500	3.14	11.20	31.0	26
BD0560153S(B)	S/B	5	0.20	1.00	3500	2.35	7.00	27.0	26
BD1260157S(B)	S/B	12	0.28	3.36	6500	4.60	22.00	45.0	26
BD1260155S(B)	S/B	12	0.17	2.04	5500	3.77	18.10	37.0	26
BD1260153S(B)	S/B	12	0.13	1.56	4500	3.14	11.20	31.0	26
BD2460151S(B)	S/B	12	0.10	1.20	3500	2.35	7.00	27.0	26
BD2460157S(B)	S/B	24	0.15	3.60	6500	4.60	22.00	45.0	26
BD2460155S(B)	S/B	24	0.12	2.88	5500	3.77	18.10	37.0	26
BD2460153S(B)	S/B	24	0.08	1.92	4500	3.14	11.20	31.0	26

*** B: Two Ball bearing S: Sleeve Bearing * All reading are typical values at rated voltage**
*** Function type optional * Specifications are subject to change without notice**





NEW Size:60*60*25mm

General Specifications:

Motor: 4 pole brushless DC motor
 Frame: Thermoplastic PBT+30%GF
 Impeller: Thermoplastic PBT+15%GF
 Bearing: Precision Ball Bearing/Sleeve Bearing
 Storage temperature: -40°C to +75°C
 Operating temperature: -10°C to +70°C

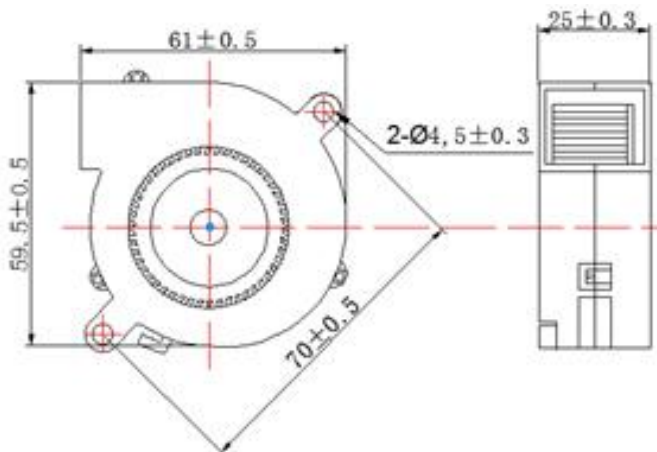


Major Characteristic Parameters

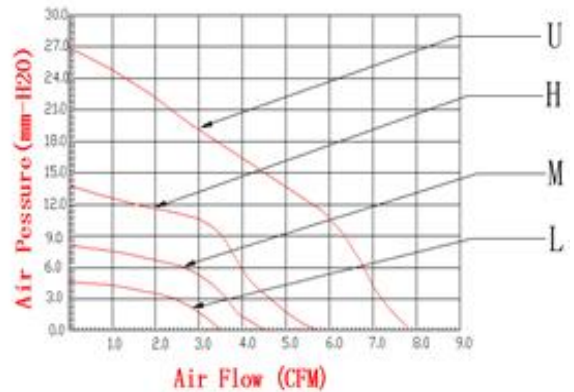


Model 型号	Bearing Type 轴承类型	Rated Voltage 额定电压	Current 电流	Speed 转速	Air Flow 风量	Pressure 风压	Noise 噪音	Weight 重量	
		VDC	A	RPM	CFM	mmH ₂ O	dBA	g	
BD2460259S/B	S/B	24	0.23	5500	7.8	26.7	44.7	46	
BD2460257S/B			0.14	5000	5.7	13.7	36.8		
BD2460255S/B			0.09	4000	4.6	8.1	30.6		
BD2460253S/B			0.06	3000	3.6	4.7	26.4		
BD1260259S/B		12	0.4	5500	7.8	26.7	44.7		
BD1260257S/B			0.23	5000	5.7	13.7	36.8		
BD1260255S/B			0.18	4000	4.6	8.1	30.6		
BD1260253S/B			0.13	3000	3.6	4.7	26.4		
BD0560257S/B		5	5	0.45	4000	5.7	13.7		36.8
BD0560255S/B				0.35	3500	4.6	8.1		30.6
BD0560253S/B				0.23	3000	3.6	4.7		26.4

* B: Two Ball bearing S: Sleeve Bearing * All reading are typical values at rated voltage
 * Function type optional * Specifications are subject to change without notice



Characteristic Curve





Size:60*60*28 mm

General Specifications:

Motor: 4 pole brushless DC motor
 Frame: Thermoplastic PBT+30%GF
 Impeller: Thermoplastic PBT+15%GF
 Bearing: Precision Ball Bearing/Sleeve Bearing
 Storage temperature: -40°C to +75°C
 Operating temperature: -10°C to +70°C

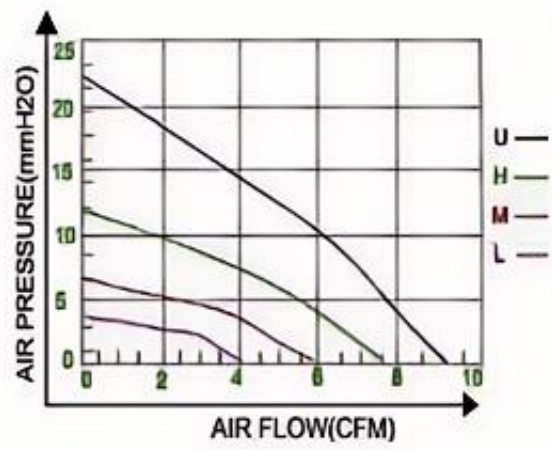
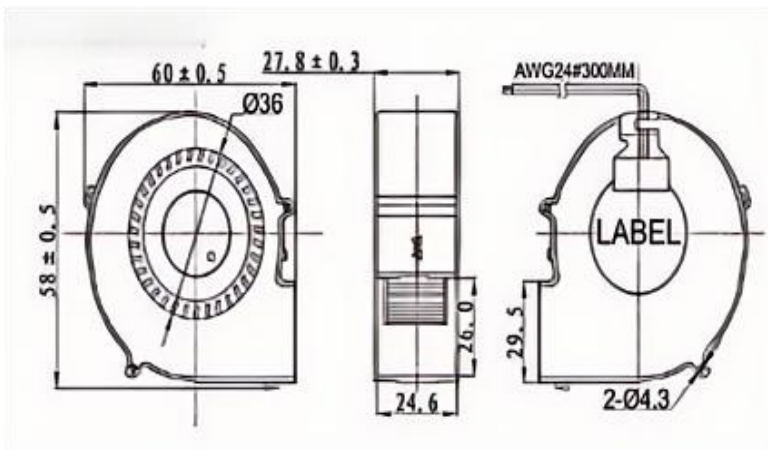


Major Characteristic Parameters



Model 型号	Bearing Type 轴承类型	Rated Voltage 额定电压	Current 电流	Speed 转速	Air Flow 风量	Pressure 风压	Noise 噪音	Weight 重量
		VDC	A	RPM	CFM	mmH ₂ O	dBA	g
BD2460287S/B	S/B	24	0.12	5000	8.32	15.68	45.7	50
BD2460285S/B			0.08	4000	6.43	11.73	38.5	
BD2460283S/B			0.05	3000	4.88	6.21	32.2	
BD1260287S/B		12	0.2	5000	8.32	15.68	45.7	
BD1260285S/B			0.12	4000	6.43	11.73	38.5	
BD1260283S/B			0.08	3000	4.88	6.21	32.2	

* B: Two Ball bearing S: Sleeve Bearing * All reading are typical values at rated voltage
 * Function type optional * Specifications are subject to change without notice

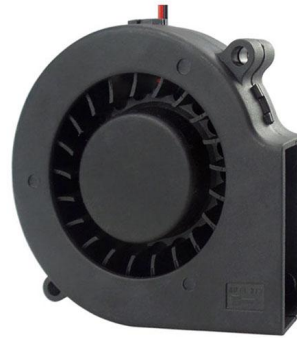




Size: 75*75*15 mm

General Specifications:

Motor: 4 pole brushless DC motor
 Frame: Thermoplastic PBT+30%GF
 Impeller: Thermoplastic PBT+15%GF
 Bearing: Precision Ball Bearing/Sleeve Bearing
 Storage temperature: -40°C to +75°C
 Operating temperature: -10°C to +70°C

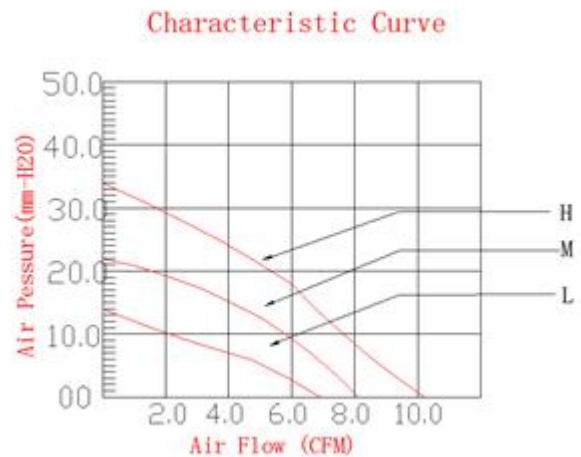
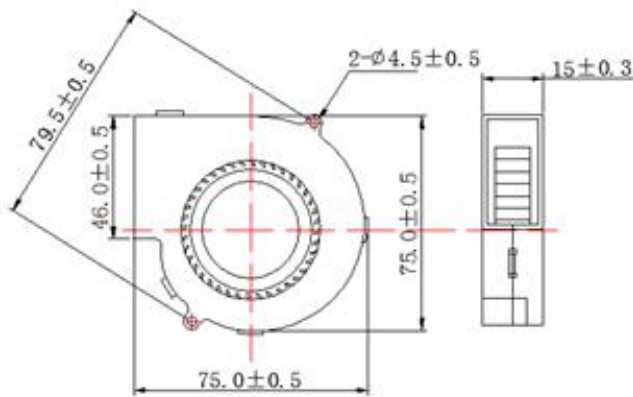


Major Characteristic Parameters



Model 型号	Bearing Type 轴承类型	Rated Voltage 额定电压	Current 电流	Speed 转速	Air Flow 风量	Pressure 风压	Noise 噪音	Weight 重量
		VDC	A	RPM	CFM	mmH ₂ O	dBA	g
BD2475159S/B	S/B	24	0.25	4200	9.5	29.3	47.2	50
BD2475157S/B			0.18	3800	8.1	21.5	41.8	
BD2475155S/B			0.14	3200	6.9	14.3	36.5	
BD2475153S/B			0.09	2500	5.7	9.1	29.7	
BD1275159S/B		12	0.45	4200	9.5	29.3	47.2	
BD1275157S/B			0.35	3800	8.1	21.5	41.8	
BD1275155S/B			0.23	3200	6.9	14.3	36.5	
BD1275153S/B			0.14	2500	5.7	9.1	29.7	
BD0575157S/B		5	0.65	3600	7.5	18.8	39.8	
BD0575155S/B			0.45	3200	6.9	14.3	36.5	
BD0575153S/B			0.30	2500	5.7	9.1	29.7	

* B: Two Ball bearing S: Sleeve Bearing * All reading are typical values at rated voltage
 * Function type optional * Specifications are subject to change without notice





Size:75*75*25 mm

General Specifications:

Motor: 4 pole brushless DC motor
 Frame: Thermoplastic PBT+30%GF
 Impeller: Thermoplastic PBT+15%GF
 Bearing: Precision Ball Bearing/Sleeve Bearing
 Storage temperature: -40°C to +75°C
 Operating temperature: -10°C to +70°C

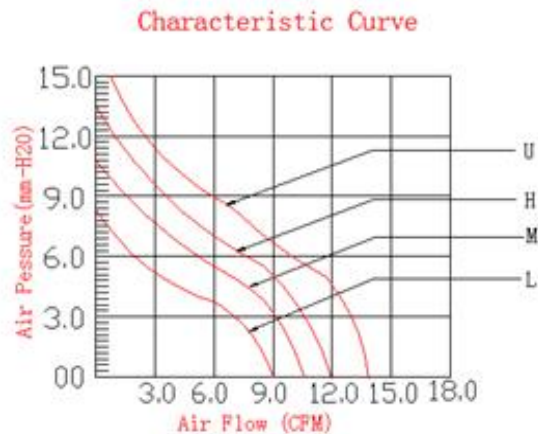
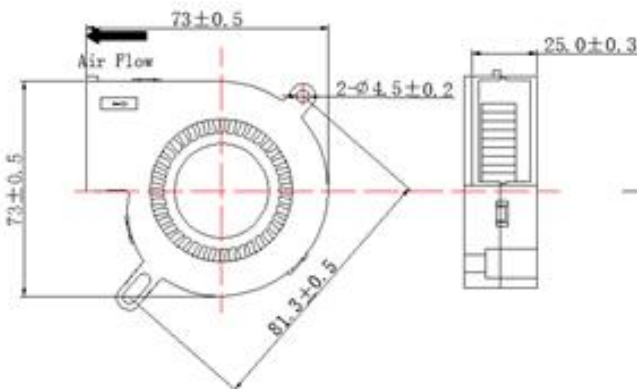


Major Characteristic Parameters



Model 型号	Bearing Type 轴承类型	Rated Voltage 额定电压	Current 电流	Speed 转速	Air Flow 风量	Pressure 风压	Noise 噪音	Weight 重量
		VDC	A	RPM	CFM	mmH ₂ O	dBA	g
BD2475259S/B	S/B	24	0.18	4200	13.1	15.3	43.2	58
BD2475257S/B			0.15	3500	12.1	14.1	39.5	
BD2475255S/B			0.13	3000	11	11.95	36.5	
BD2475253S/B			0.09	2500	9.3	7.8	31.5	
BD1275259S/B		12	0.35	4200	13.1	15.3	43.2	
BD1275257S/B			0.3	3500	12.1	14.1	39.5	
BD1275255S/B			0.26	3000	11	11.95	36.5	
BD1275253S/B			0.18	2500	9.3	7.8	31.25	

* B: Two Ball bearing S: Sleeve Bearing * All reading are typical values at rated voltage
 * Function type optional * Specifications are subject to change without notice





Size:75*75*30mm

General Specifications:

Motor: 4 pole brushless DC motor
 Frame: Thermoplastic PBT+30%GF
 Impeller: Thermoplastic PBT+15%GF
 Bearing: Precision Ball Bearing/Sleeve Bearing
 Storage temperature: -40°C to +75°C
 Operating temperature:-10°C to +70°C

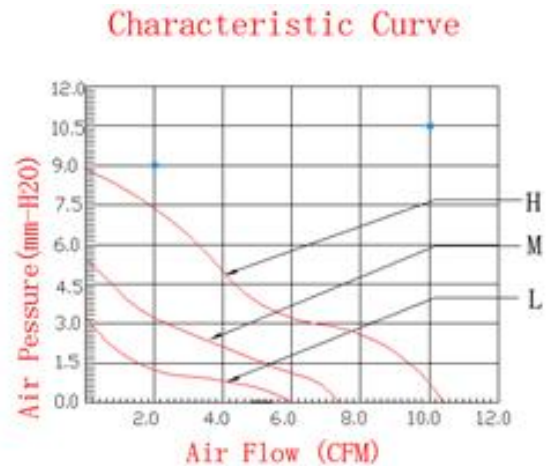
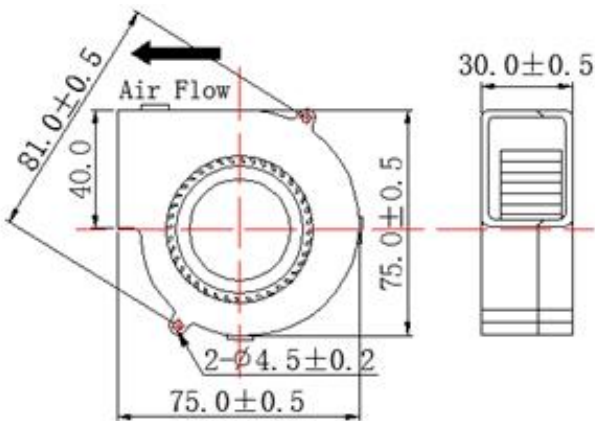


Major Characteristic Parameters



Model 型号	Bearing Type 轴承类型	Rated Voltage	Current	Speed	Air Flow	Pressure	Noise	Weight	
		额定电压	电流	转速	风量	风压	噪音	重量	
		VDC	A	RPM	CFM	mmH ₂ O	dBA	g	
BD2475309S/B	S/B	24	0.30	4200	13.4	11.57	40.0	76	
BD2475307S/B			0.16	3000	10.3	8.89	38.5		
BD2475305S/B			0.13	2500	7.5	5.35	33.6		
BD2475303S/B			0.10	2000	6.0	3.42	26.8		
BD1275309S/B		12	0.50	4200	13.4	11.57	40.0		
BD1275307S/B			0.32	3000	10.3	8.89	38.5		
BD1275305S/B			0.20	2500	7.5	5.35	33.6		
BD1275303S/B			0.16	2000	6.0	3.42	26.8		
BD0575307S/B		5	5	0.50	3000	10.3	8.89		38.5
BD0575305S/B				0.28	2500	7.5	5.35		33.6
BD0575303S/B				0.18	2000	6.0	3.42		26.8

* B: Two Ball bearing S: Sleeve Bearing * All reading are typical values at rated voltage
 * Function type optional * Specifications are subject to change without notice





Size: 90*90*33 mm

General Specifications:

Motor: 4 pole brushless DC motor
 Frame: Thermoplastic PBT+30%GF
 Impeller: Thermoplastic PBT+15%GF
 Bearing: Precision Ball Bearing/Sleeve Bearing
 Storage temperature: -40°C to +75°C
 Operating temperature: -10°C to +70°C

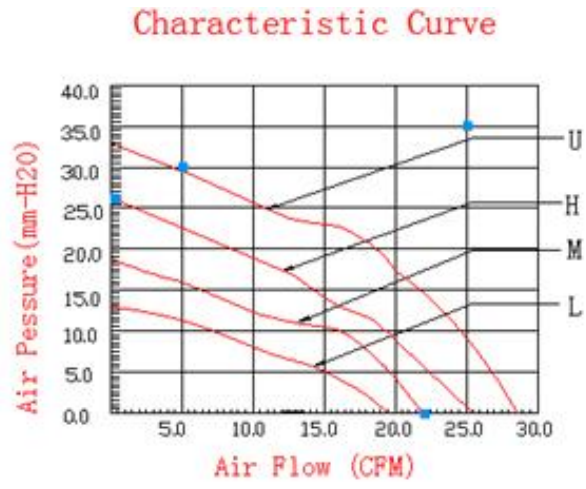
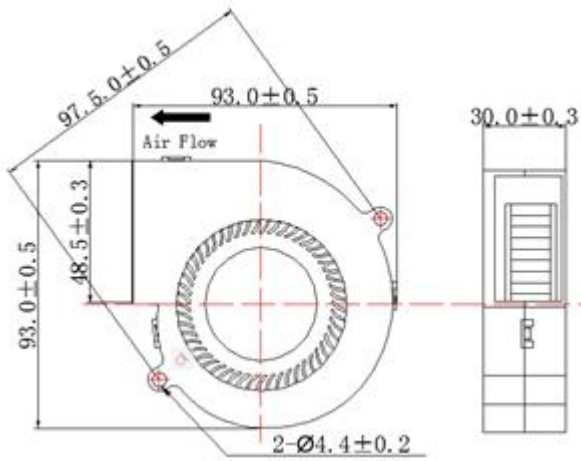


Major Characteristic Parameters



Model 型号	Bearing Type 轴承类型	Rated Voltage	Current	Speed	Air Flow	Pressure	Noise	Weight
		额定电压	电流	转速	风量	风压	噪音	重量
		VDC	A	RPM	CFM	mmH ₂ O	dBA	g
BD2493309S/B	S/B	24	0.60	4000	28.25	33.0	52.1	140
BD2493307S/B			0.45	3600	25.43	25.4	49.1	
BD2493305S/B			0.28	3200	22.60	19.0	46.0	
BD2493303S/B			0.16	2700	19.07	12.7	41.9	
BD1293309S/B		12	1.10	4000	28.25	33.0	52.1	
BD1293307S/B			0.80	3600	25.43	25.4	49.1	
BD1293305S/B			0.57	3200	22.60	19.0	46.0	
BD1293303S/B			0.32	2700	19.07	12.7	41.9	

* B: Two Ball bearing S: Sleeve Bearing * All reading are typical values at rated voltage
 * Function type optional * Specifications are subject to change without notice





Size:97*94*33 mm

General Specifications:

Motor: 4 pole brushless DC motor
 Frame: Thermoplastic PBT+30%GF
 Impeller: Thermoplastic PBT+15%GF
 Bearing: Precision Ball Bearing/Sleeve Bearing
 Storage temperature: -40°C to +75°C
 Operating temperature: -10°C to +70°C

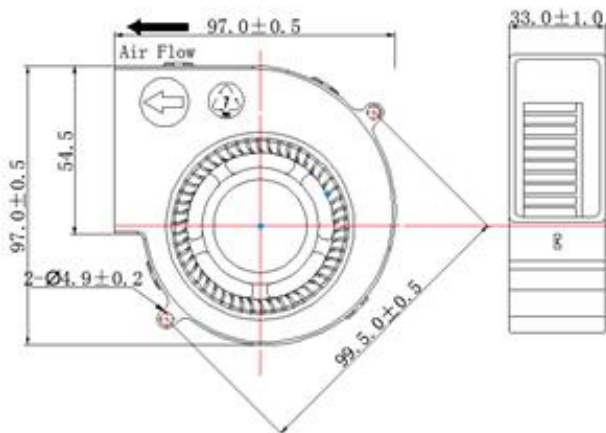


Major Characteristic Parameters

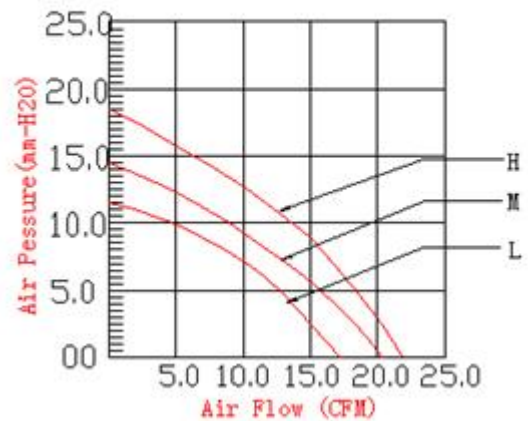


Model 型号	Bearing Type 轴承类型	Rated Voltage 额定电压	Current 电流	Speed 转速	Air Flow 风量	Pressure 风压	Noise 噪音	Weight 重量	
		VDC	A	RPM	CFM	mmH ₂ O	dBA	g	
BD2497339S/B	S/B	24	0.48	5000	27.57	26.30	53.40	146	
BD2497337S/B			0.37	4000	23.22	20.60	45.45		
BD2497335S/B			0.15	3000	18.87	16.74	36.90		
BD2497333S/B			0.08	2000	13.20	6.80	27.60		
BD1297339S/B		12	12	0.96	5000	27.57	26.30		53.40
BD1297337S/B				0.65	4000	23.22	20.60		45.45
BD1297335S/B				0.30	3000	18.87	16.74		36.90
BD1297333S/B				0.15	2000	13.20	6.80		27.60

* B: Two Ball bearing S: Sleeve Bearing * All reading are typical values at rated voltage
 * Function type optional * Specifications are subject to change without notice



Characteristic Curve

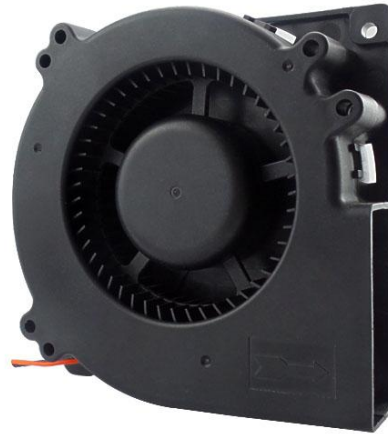




Size:120*120*32mm

General Specifications:

Motor: 4 pole brushless DC motor
 Frame: Thermoplastic PBT+30%GF
 Impeller: Thermoplastic PBT+15%GF
 Bearing: Precision Ball Bearing/Sleeve Bearing
 Storage temperature: -40°C to +75°C
 Operating temperature:-10°C to +70°C

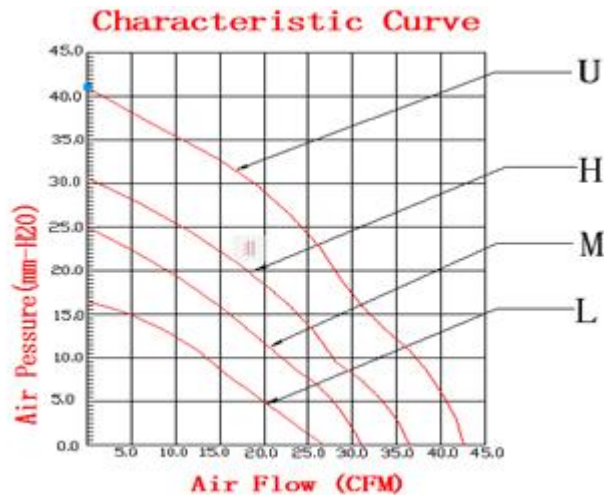
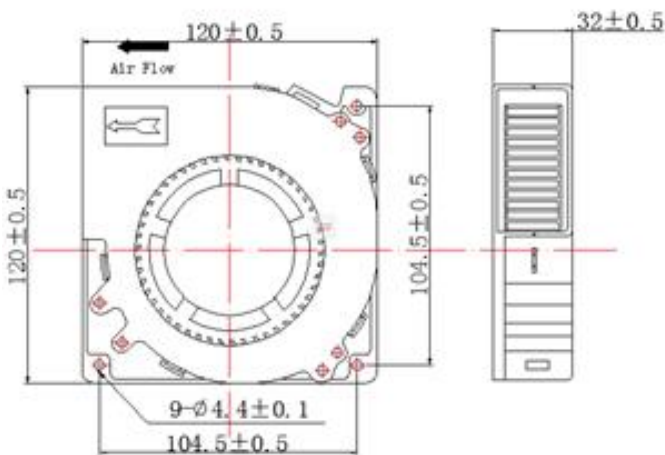


Major Characteristic Parameters



Model 型号	Bearing Type 轴承类型	Rated Voltage 额定电压	Current 电流	Speed 转速	Air Flow 风量	Pressure 风压	Noise 噪音	Weight 重量
		VDC	A	RPM	CFM	mmH ₂ O	dBA	g
BD2412329S/B	S/B	24	0.50	2800	42.45	41.10	61.3	240
BD2412327S/B			0.35	2400	36.38	30.26	52.4	
BD2412325S/B			0.20	2100	31.83	25.10	45.8	
BD2412323S/B			0.12	1700	25.40	16.21	38.3	
BD1212329S/B		12	0.80	2800	42.45	41.10	61.3	
BD1212327S/B			0.60	2400	36.38	30.26	52.4	
BD1212325S/B			0.35	2100	31.83	25.10	45.8	
BD1212323S/B			0.25	1700	25.40	16.21	38.3	

* B: Two Ball bearing S: Sleeve Bearing * All reading are typical values at rated voltage
 * Function type optional * Specifications are subject to change without notice





Size: 130*130*40 mm

General Specifications:

Motor: 4 pole brushless DC motor
 Frame: Thermoplastic PBT+30%GF
 Impeller: Thermoplastic PBT+15%GF
 Bearing: Precision Ball Bearing/Sleeve Bearing
 Storage temperature: -40°C to +75°C
 Operating temperature: -10°C to +70°C

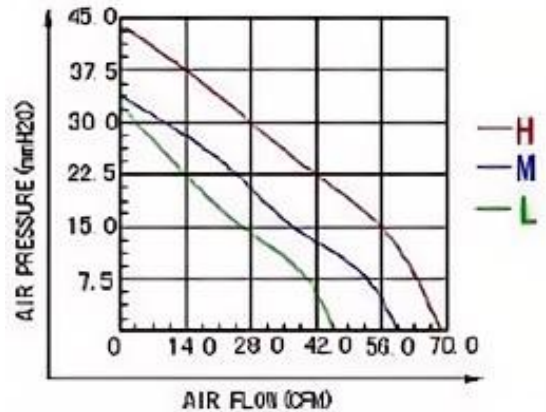
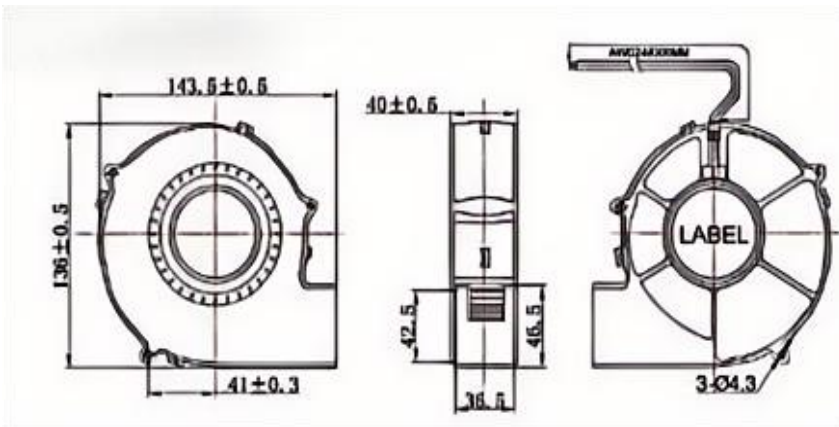


Major Characteristic Parameters



Model 型号	Bearing Type 轴承类型	Rated Voltage 额定电压	Current 电流	Speed 转速	Air Flow 风量	Pressure 风压	Noise 噪音	Weight 重量
		VDC	A	RPM	CFM	mmH ₂ O	dBA	g
BD4813407S/B	S/B	48	0.25	2200	45.8	32.8	48.1	240
BD4813405S/B			0.32	2500	59.3	39.6	56.5	
BD4813403S/B			0.45	2800	68.6	44.4	64.4	
BD2413407S/B		24	0.40	2200	45.8	32.8	48.1	
BD2413405S/B			0.55	2500	59.3	39.6	56.5	
BD2413403S/B			0.70	2800	68.6	44.4	64.4	
BD1213407S/B		12	0.60	2200	45.8	32.8	48.1	
BD1213405S/B			0.90	2500	59.3	39.6	56.5	
BD1213403S/B			1.20	2800	68.6	44.4	64.4	

* B: Two Ball bearing S: Sleeve Bearing * All reading are typical values at rated voltage
 * Function type optional * Specifications are subject to change without notice





AC Axial FAN

Size: 60*60*30 mm

General Specifications:

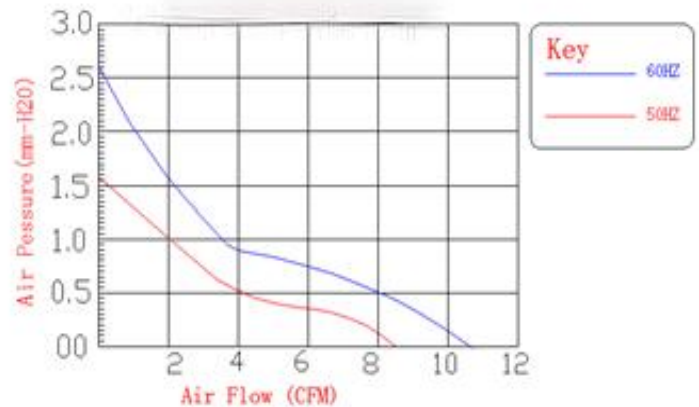
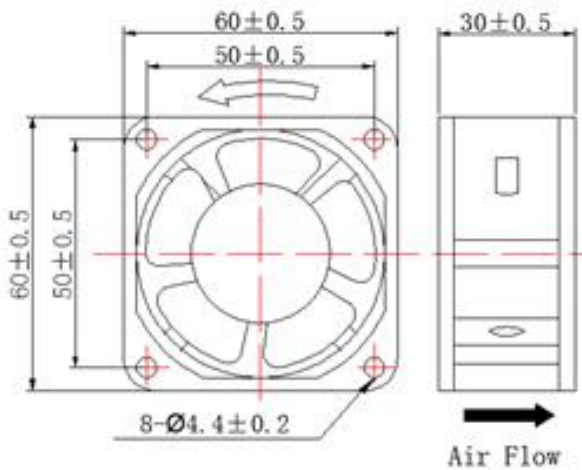
- Die-cast aluminum housing
- Metal impeller or Class fiber reinforced plastic:
Impeller are UL 94V-0 rating
- Shaded pole motor
- Impedance protected
- Bearing: Precision Ball Bearing/Sleeve Bearing
- Storage temperature: -40°C to +75°C
- Operating temperature: -10°C to +70°C



Specifications

Model 型号	Bearing System 培林	Rated Voltage (V) 电压	Freq (Hz) 频率	Current (A) 电流	Input Power (W) 功率	Speed (RPM) 转速	Air Flow (CFM) 风量	Static Pressure (mm-H ₂ O) 静压	Noise Level (dB-A) 噪音	Weight (g) 重量
6030HB1	Ball	110	50/60	0.04/0.03	5/4	2500/3000	7.9/10.0	1.6/2.7	26/27	145
6030HB2		230	50/60	0.02/0.02	5/4	2500/3000	7.9/10.0	1.6/2.7	26/27	

* B: Two Ball bearing S: Sleeve Bearing * All reading are typical values at rated voltage
* Function type optional * Specifications are subject to change without notice





Size:80*80*25 mm

General Specifications:

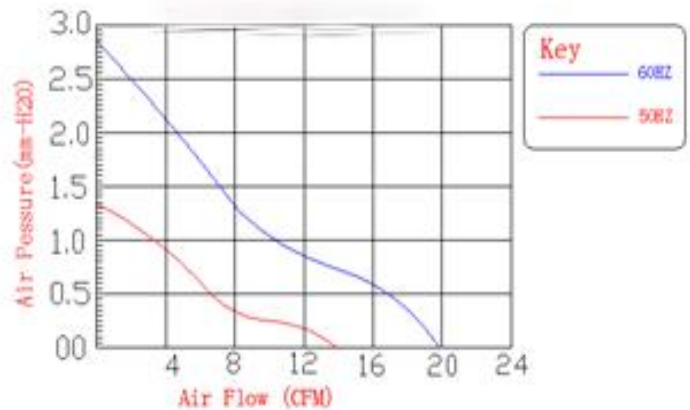
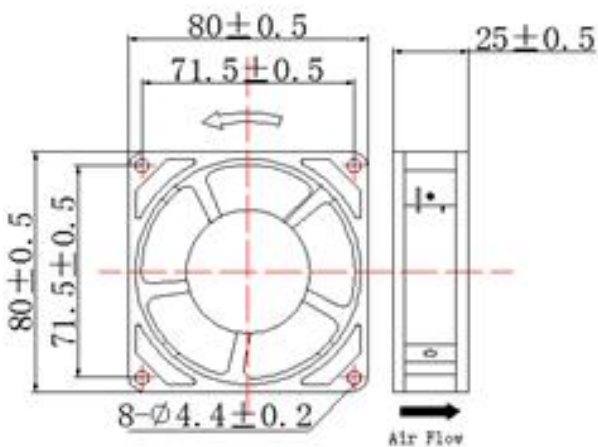
- Die-cast aluminum housing
- Metal impeller or Class fiber reinforced plastic:
Impeller are UL 94V-0 rating
- Shaded pole motor
- Impedance protected
- Bearing: Precision Ball Bearing/Sleeve Bearing
- Storage temperature: -40°C to +75°C
- Operating temperature:-10°C to +70°C



Specifications

Model 型号	Bearing System 轴承	Rated Voltage (V) 电压	Freq. (Hz) 频率	Current (A) 电流	Input Power (W) 功率	Speed (RPM) 转速	Air Flow (CFM) 风量	Static Pressure (mm-H ₂ O) 静压	Noise Level (dB-A) 噪音	Weight (g) 重量
8025HS/B1	Sleeve/Ball	110	50/60	0.13/0.11	17.0/15.0	2600/3000	21/24	4.0/5.5	28.2/33	240
8025MS/B1		110	50/60	0.11/0.10	13.0/10.0	2300/2600	18/21	2.9/3.4	28.2/33	
8025HS/B2		220	50/60	0.09/0.08	17.0/15.0	2600/3000	21/24	4.0/5.5	28.2/33	
8025MS/B2		220	50/60	0.06/0.05	13.0/10.0	2300/2600	18/21	2.9/3.4	28.2/33	

* B: Two Ball bearing S: Sleeve Bearing * All reading are typical values at rated voltage
 * Function type optional * Specifications are subject to change without notice





Size: 80*80*38 mm

General Specifications:

- Die-cast aluminum housing
- Metal impeller or Class fiber reinforced plastic:
Impeller are UL 94V-0 rating
- Shaded pole motor
- Impedance protected
- Bearing: Precision Ball Bearing/Sleeve Bearing
- Storage temperature: -40°C to +75°C
- Operating temperature: -10°C to +70°C



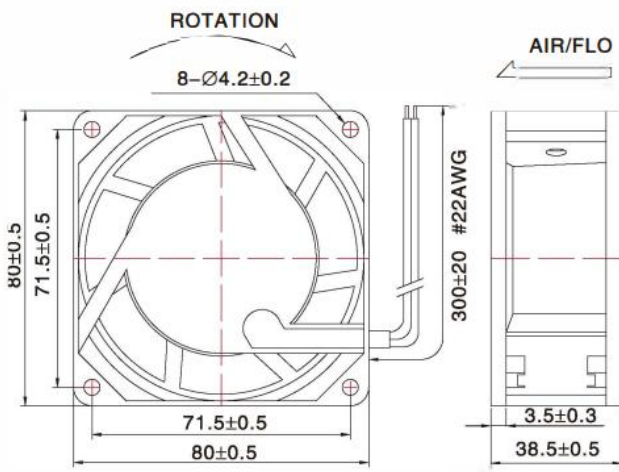
Specifications

Model 型号	Bearing System 轴承	Rated Voltage (V) 电压	Freq (Hz) 频率	Current (A) 电流	Input Power (W) 功率	Speed (RPM) 转速	Air Flow (CFM) 风量	Static Pressure (mm-H ₂ O) 静压	Noise Level (dB-A) 噪音	Weight (g) 重量
8038HS/B1	Sleeve/Ball	110	50/60	0.15/0.13	17.0/15.0	2400/2900	23/28	2.8/4.4	34/36	300
8038MS/B1		110	50/60	0.10/0.11	13.0/10.0	1900/2400	20/23	2.0/2.2	27/34	
8038HS/B2		220	50/60	0.08/0.06	17.0/15.0	2400/2900	23/28	2.8/4.4	34/36	
8038MS/B2		220	50/60	0.06/0.05	13.0/10.0	1900/2400	20/23	2.0/2.2	27/34	

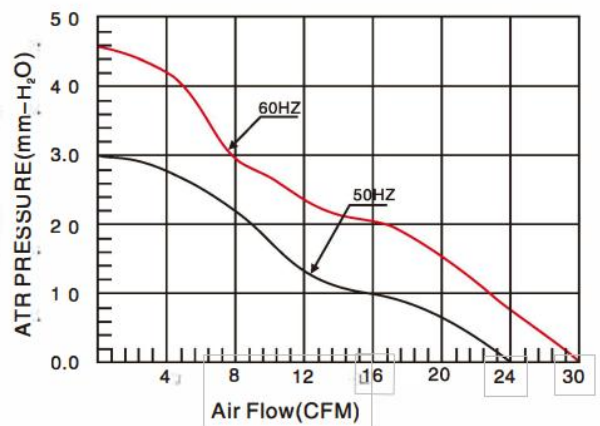
* B: Two Ball bearing S: Sleeve Bearing * All reading are typical values at rated voltage

* Function type optional * Specifications are subject to change without notice

★Dimensions Drawing(外观图)



★Characteristic Curves(特性曲线)





Size:92*92*25mm

General Specifications:

- Die-cast aluminum housing
- Metal impeller or Class fiber reinforced plastic:
Impeller are UL 94V-0 rating
- Shaded pole motor
- Impedance protected
- Bearing: Precision Ball Bearing/Sleeve Bearing
- Storage temperature: -40°C to +75°C
- Operating temperature:-10°C to +70°C



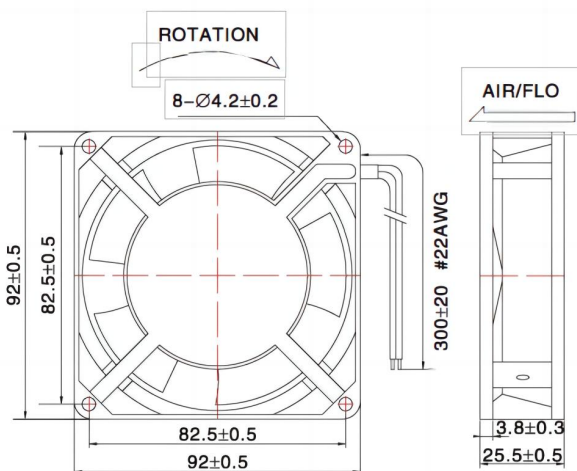
Specifications

Model 型号	Bearing System 轴承	Rated Voltage (V) 电压	Freq. (Hz) 频率	Current (A) 电流	Input Power (W) 功率	Speed (RPM) 转速	Air Flow (CFM) 风量	Static Pressure (mm-Ho) 静压	Noise Level (dB-A) 噪音	Weight (g) 重量
9225HS/B1	Sleeve/Ball	110	50/60	0.15/0.13	17.0/15.0	2500/3000	24/29	4.5/6.5	33/35	280
9225MS/B1		110	50/60	0.11/0.10	13.0/10.0	2200/2600	21/25	3.0/3.3	29/33	
9225HS/B2		220	50/60	0.09/0.08	17.0/15.0	2500/3000	24/29	4.5/6.5	33/35	
9225MS/B2		220	50/60	0.06/0.05	13.0/10.0	2200/2600	21/25	3.0/3.3	29/33	

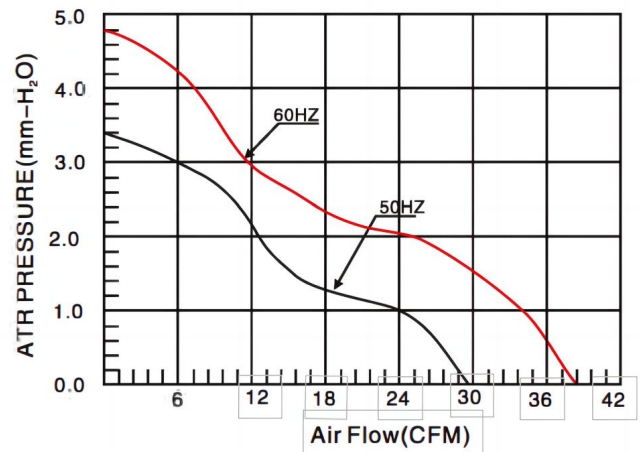
* B: Two Ball bearing S: Sleeve Bearing * All reading are typical values at rated voltage

* Function type optional * Specifications are subject to change without notice

★Dimensions Drawing(外观图)



★Characteristic Curves(特性曲线)





Size:92*92*38mm

General Specifications:

- Die-cast aluminum housing
- Metal impeller or Class fiber reinforced plastic:
Impeller are UL 94V-0 rating
- Shaded pole motor
- Impedance protected
- Bearing: Precision Ball Bearing/Sleeve Bearing
- Storage temperature: -40°C to +75°C
- Operating temperature:-10°C to +70°C



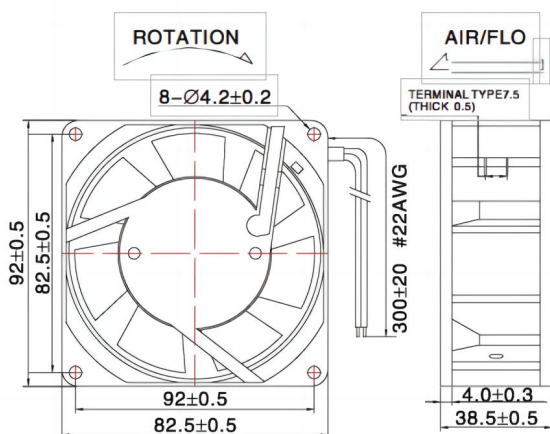
Specifications

Model 型号	Bearing System 轴承	Rated Voltage (V) 电压	Freq. (Hz) 频率	Current (A) 电流	Input Power (W) 功率	Speed (RPM) 转速	Air Flow (CFM) 风量	Static Pressure (mm-H ₂ O) 静压	Noise Level (dB-A) 噪音	Weight (g) 重量
9238HS/B1	Sleeve/Ball	110	50/60	0.15/0.13	17.0/15.0	2400/2800	39/46	3.60/5.20	34/36	340
9238MS/B1		110	50/60	0.11/0.10	13.0/10.0	1900/2400	35/39	2.90/3.20	27/34	
9238HS/B2		220	50/60	0.08/0.07	17.0/15.0	2400/2800	39/46	3.60/5.20	34/36	
9238MS/B2		220	50/60	0.06/0.05	13.0/10.0	1900/2400	35/39	2.90/3.20	27/34	

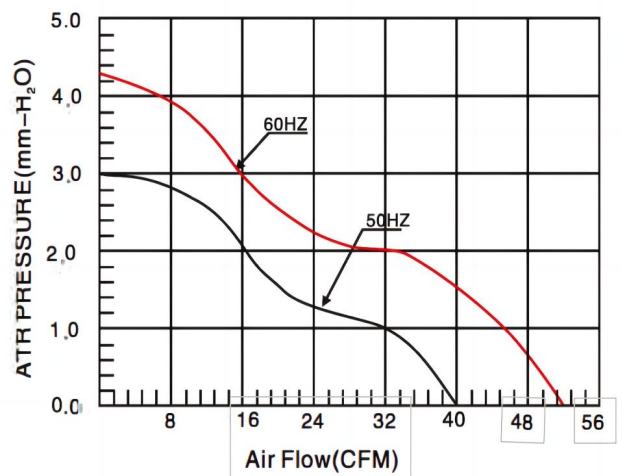
* B: Two Ball bearing S: Sleeve Bearing * All reading are typical values at rated voltage

* Function type optional * Specifications are subject to change without notice

★ Dimensions Drawing(外观图)



★ Characteristic Curves(特性曲线)





Size: 110*110*25mm

General Specifications:

- Die-cast aluminum housing
- Metal impeller or Class fiber reinforced plastic:
Impeller are UL 94V-0 rating
- Shaded pole motor
- Impedance protected
- Bearing: Precision Ball Bearing/Sleeve Bearing
- Storage temperature: -40°C to +75°C
- Operating temperature: -10°C to +70°C



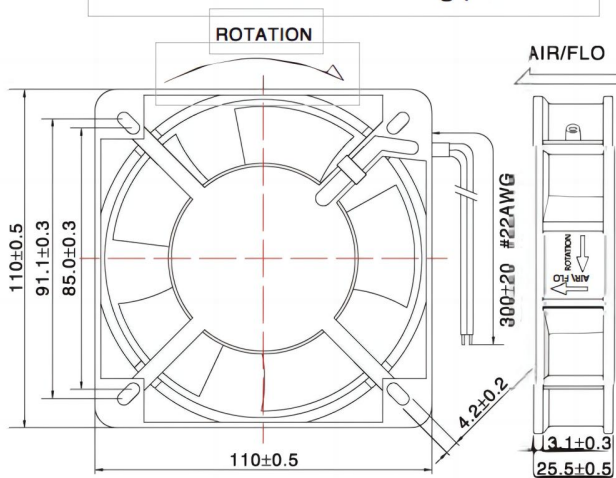
Specifications

Model 型号	Bearing System 轴承	Rated Voltage (V) 电压	Freq. (Hz) 频率	Current (A) 电流	Input Power (W) 功率	Speed (RPM) 转速	Air Flow (CFM) 风量	Static Pressure (mm-H ₂ O) 静压	Noise Level (dB-A) 噪音	Weight (g) 重量
11025HS/B1	Sleeve/Ball	110	50/60	0.15/0.14	17.0/15.0	2300/2700	39/45	3.90/4.10	35/37	300
11025MS/B1		110	50/60	0.11/0.10	12.0/10.0	1800/2400	30/37	2.20/2.50	30/35	
11025HS/B2		220	50/60	0.11/0.09	17.0/15.0	2300/2700	39/45	3.90/4.10	35/37	
11025MS/B2		220	50/60	0.19/0.07	12.0/10.0	1800/2400	30/37	2.20/2.50	30/35	

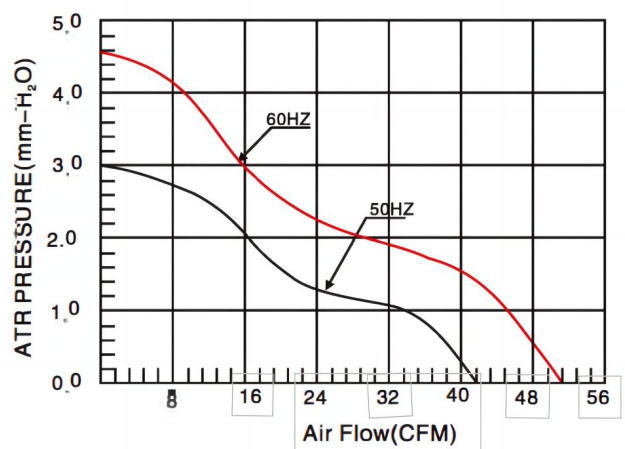
* B: Two Ball bearing S: Sleeve Bearing * All reading are typical values at rated voltage

* Function type optional * Specifications are subject to change without notice

★Dimensions Drawing(外观图)



★Characteristic Curves(特性曲线)





Size:120*120*25mm

General Specifications:

- Die-cast aluminum housing
- Metal impeller or Class fiber reinforced plastic:
Impeller are UL 94V-0 rating
- Shaded pole motor
- Impedance protected
- Bearing: Precision Ball Bearing/Sleeve Bearing
- Storage temperature: -40°C to +75°C
- Operating temperature:-10°C to +70°C



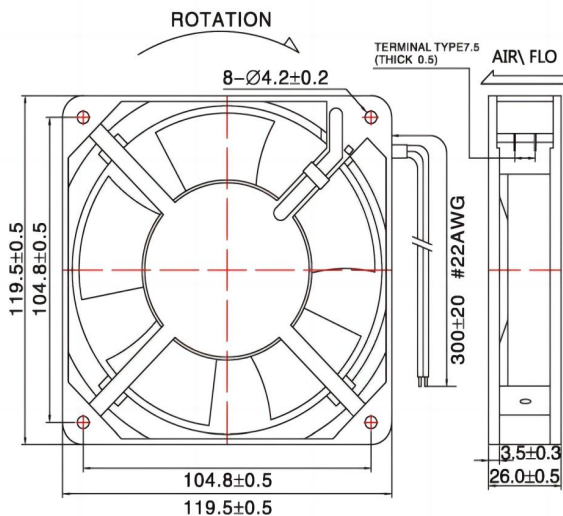
Specifications

Model 型号	Bearing System 轴承	Rated Voltage (V) 电压	Freq. (Hz) 频率	Current (A) 电流	Input Power (W) 功率	Speed (RPM) 转速	Air Flow (CFM) 风量	Static Pressure (mm-H ₂ O) 静压	Noise Level (dB-A) 噪音	Weight (g) 重量
12025HS/B1	Sleeve/Ball	110	50/60	0.15/0.14	13.0/11.0	2300/2700	35/37	3.80/5.0	36/38	320
12025MS/B1		110	50/60	0.11/0.10	13.0/11.0	1800/2400	30/35	1.80/2.0	30/36	
12025HS/B2		220	50/60	0.09/0.08	18.0/14.0	2300/2700	35/37	3.80/5.0	36/38	
12025MS/B2		220	50/60	0.06/0.05	18.0/14.0	1800/2400	30/35	1.80/2.0	30/36	

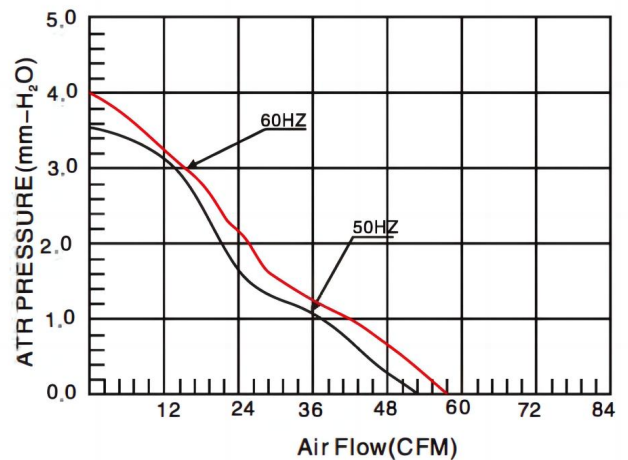
* B: Two Ball bearing S: Sleeve Bearing * All reading are typical values at rated voltage

* Function type optional * Specifications are subject to change without notice

★Dimensions Drawing(外观图)



★Characteristic Curves(特性曲线)





Size:120*120*38mm

General Specifications:

- Die-cast aluminum housing
- Metal impeller or Class fiber reinforced plastic:
Impeller are UL 94V-0 rating
- Shaded pole motor
- Impedance protected
- Bearing: Precision Ball Bearing/Sleeve Bearing
- Storage temperature: -40°C to +75°C
- Operating temperature:-10°C to +70°C

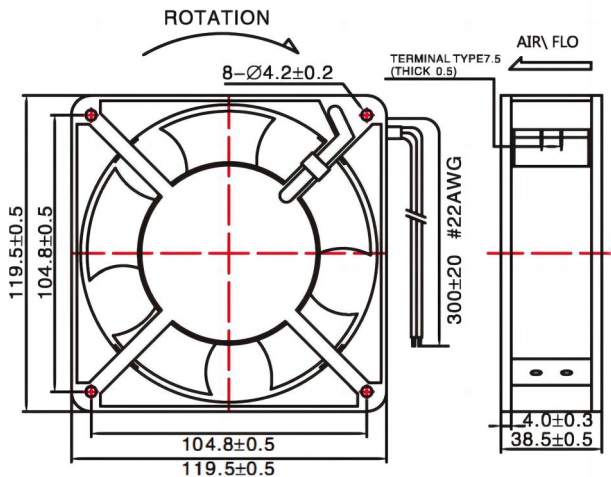


Specifications

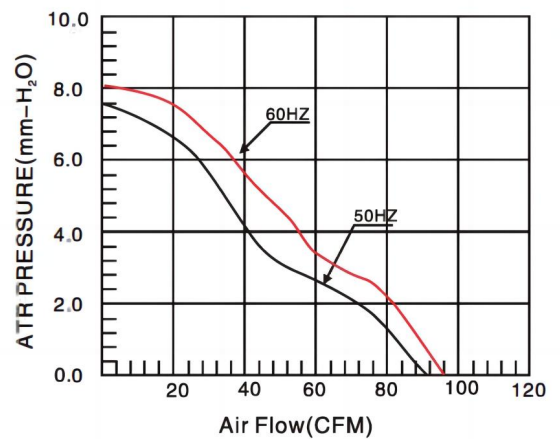
Model 型号	Bearing System 轴承	Rated Voltage (V) 电压	Freq. (Hz) 频率	Current (A) 电流	Input Power (W) 功率	Speed (RPM) 转速	Air Flow (CFM) 风量	Static Pressure (mm-H ₂ O) 静压	Noise Level (dB-A) 噪音	Weight (g) 重量
12038HS/B1	Sleeve/Ball	110	50/60	0.24/0.22	23.0/21.0	2600/3000	80/91	6.80/8.50	42/46	480
12038MS/B1		110	50/60	0.15/0.14	17.0/14.0	2400/2700	72/83	5.10/6.80	39/42	
12038LS/B1		110	50/60	0.11/0.10	10.0/9.0	2100/2400	66/72	3.20/5.10	35/39	
12038HS/B2		220	50/60	0.24/0.22	23.0/21.0	2600/3000	80/91	6.80/8.50	42/46	
12038MS/B2		220	50/60	0.15/0.14	17.0/14.0	2400/2700	72/83	5.10/6.80	39/42	
12038LS/B2		220	50/60	0.11/0.10	10.0/9.0	2100/2400	33/72	3.20/5.10	35/39	
12038HS/B3		380	50/60	0.07/0.06	23.0/21.0	2600/3000	80/91	6.80/8.50	42/46	

* B: Two Ball bearing S: Sleeve Bearing * All reading are typical values at rated voltage
 * Function type optional * Specifications are subject to change without notice

★Dimensions Drawing(外观图)



★Characteristic Curves(特性曲线)





Size:120*120*38mm-7 Impellers

General Specifications:

- Die-cast aluminum housing
- Metal impeller or Class fiber reinforced plastic:
Impeller are UL 94V-0 rating
- Shaded pole motor
- Impedance protected
- Bearing: Precision Ball Bearing/Sleeve Bearing
- Storage temperature: -40°C to +75°C
- Operating temperature:-10°C to +70°C



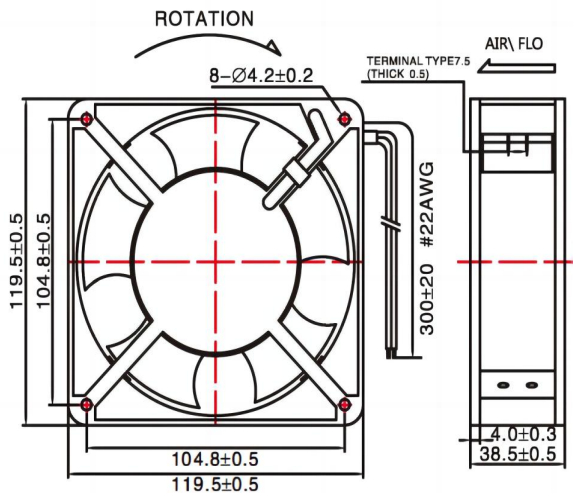
Specifications

Model 型号	Bearing System 轴承	Rated Voltage (V) 电压	Freq. (Hz) 频率	Current (A) 电流	Input Power (W) 功率	Speed (RPM) 转速	Air Flow (CFM) 风量	Static Pressure (mm-H ₂ O) 静压	Noise Level (dB-A) 噪音	Weight (g) 重量
12038HS/B1	Sleeve/Ball	110	50/60	0.24/0.22	23.0/21.0	2600/3000	95/115	7.80/8.80	44/48	480
12038MS/B1		110	50/60	0.15/0.14	17.0/14.0	2400/2700	80/91	6.80/8.50	42/46	
12038LS/B1		110	50/60	0.11/0.10	10.0/9.0	2100/2400	72/83	5.20/6.80	39/42	
12038HS/B2		220	50/60	0.24/0.22	23.0/21.0	2600/3000	95/115	7.80/8.80	44/48	
12038MS/B2		220	50/60	0.15/0.14	17.0/14.0	2400/2700	80/91	6.80/8.50	42/46	
12038LS/B2		220	50/60	0.11/0.10	10.0/9.0	2100/2400	72/83	5.20/6.80	39/42	
12038HS/B3		380	50/60	0.07/0.06	23.0/21.0	2600/3000	80/91	6.80/8.50	44/48	

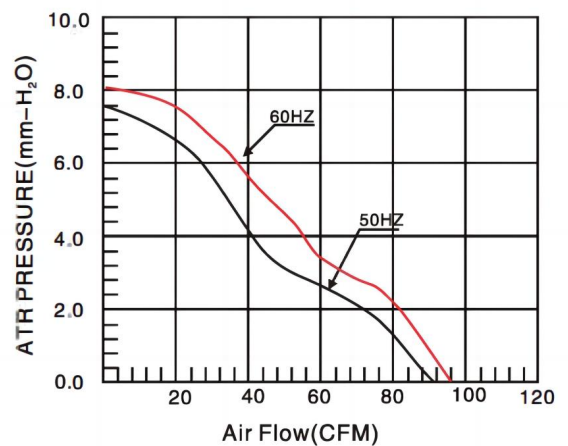
* B: Two Ball bearing S: Sleeve Bearing * All reading are typical values at rated voltage

* Function type optional * Specifications are subject to change without notice

★Dimensions Drawing(外观图)



★Characteristic Curves(特性曲线)





Size:135*135*38 mm

General Specifications:

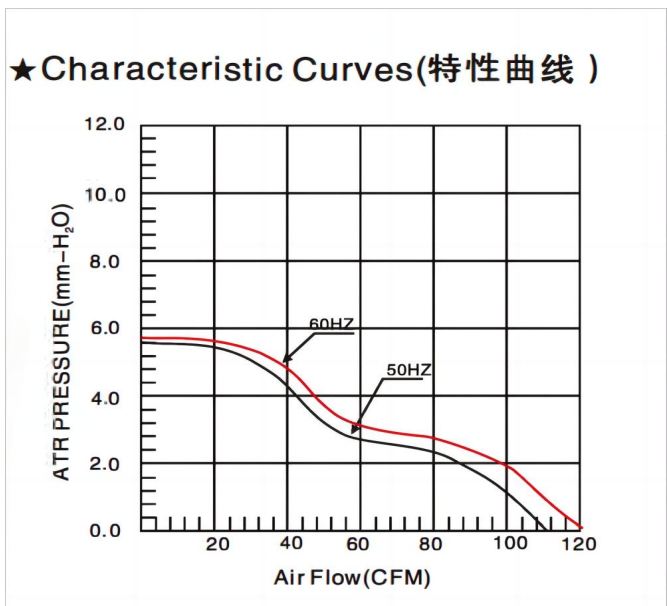
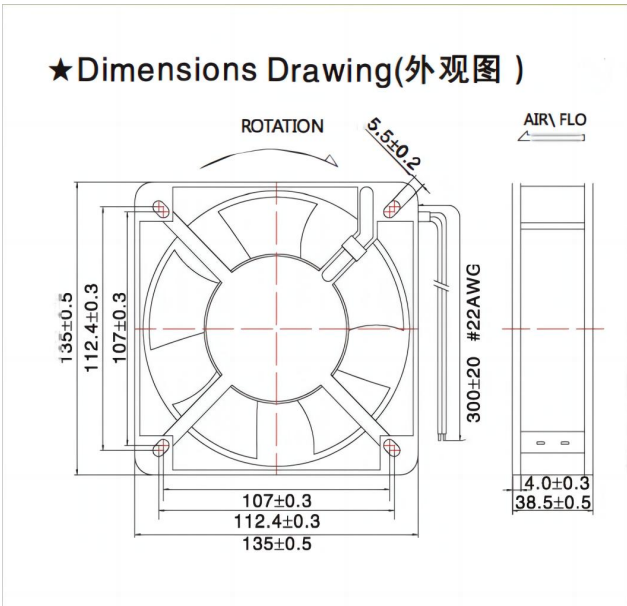
- Die-cast aluminum housing
- Metal impeller or Class fiber reinforced plastic:
Impeller are UL 94V-0 rating
- Shaded pole motor
- Impedance protected
- Bearing: Precision Ball Bearing/Sleeve Bearing
- Storage temperature: -40°C to +75°C
- Operating temperature:-10°C to +70°C



Specifications

Model 型号	Bearing System 轴承	Rated Voltage (V) 电压	Freq. (Hz) 频率	Current (A) 电流	Input Power (W) 功率	Speed (RPM) 转速	Air Flow (CFM) 风量	Static Pressure (mm-H ₂ O) 静压	Noise Level (dB-A) 噪音	Weight (g) 重量
13538HS/B1	Sleeve/Ball	110	50/60	0.24/0.20	23.0/21.0	2600/3000	115/141	6.50/6.80	43/45	570
13538MS/B1		110	50/60	0.15/0.13	15.0/14.0	2400/2700	107/120	4.30/5.10	41/43	
13538LS/B1		110	50/60	0.13/0.11	10.0/9.0	2100/2400	93/107	1.80/3.0	39/41	
13538HS/B2	Sleeve/Ball	220	50/60	0.15/0.13	23.0/21.0	2600/3000	115/141	6.50/6.80	43/45	
13538MS/B2		220	50/60	0.11/0.09	15.0/14.0	2400/2700	107/120	4.30/5.10	41/43	
13538LS/B2		220	50/60	0.07/0.06	10.0/9.0	2100/2400	93/107	1.80/3.0	39/41	
13538HS/B3		380	50/60	0.07/0.06	23.0/21.0	2600/3000	115/141	6.50/6.80	43/45	

* B: Two Ball bearing S: Sleeve Bearing * All reading are typical values at rated voltage
 * Function type optional * Specifications are subject to change without notice





Size:150*150*50mm

General Specifications:

- Die-cast aluminum housing
- Metal impeller or Class fiber reinforced plastic:
Impeller are UL 94V-0 rating
- Shaded pole motor
- Impedance protected
- Bearing: Precision Ball Bearing/Sleeve Bearing
- Storage temperature: -40°C to +75°C
- Operating temperature:-10°C to +70°C

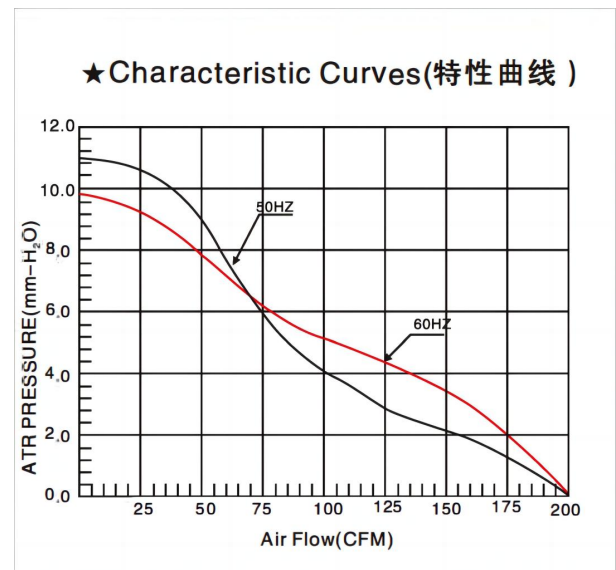
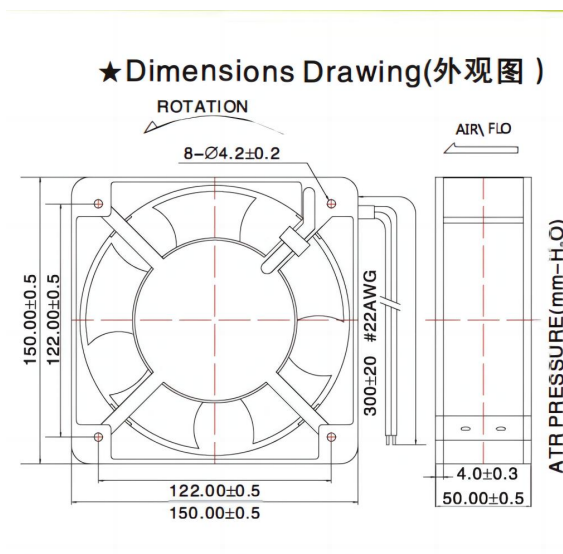


Specifications

Model 型号	Bearing System 培林	Rated Voltage (V) 电压	Freq (Hz) 频率	Current (A) 电流	Input Power (W) 功率	Speed (RPM) 转速	Air Flow (CFM) 风量	Static Pressure (mm-H ₂ O) 静压	Noise Level (dB-A) 噪音	Weight (g) 重量
15050HS/B1	Sleeve/Ball	110	50/60	0.46/0.44	38/36	2600/3000	170/196	11.5/14.0	49/56	800
15050MS/B1		110	50/60	0.33/0.30	28/27	2400/2600	155/170	7.5/9.7	45/49	
15050LS/B1		110	50/60	0.15/0.13	21/20	2100/2400	137/155	3.0/3.9	39/45	
15050HS/B2		220	50/60	0.25/0.22	38/39	2600/3000	170/196	11.5/14.0	49/56	
15050MS/B2		220	50/60	0.18/0.16	28/27	2400/2600	155/170	7.5/9.7	45/49	
15050LS/B2		220	50/60	0.13/0.11	21/20	2100/2400	137/155	3.0/3.9	39/45	
15050HS/B3		380	50/60	0.15/0.13	38/36	2600/3000	170/196	11.5/14.0	49/56	

* B: Two Ball bearing S: Sleeve Bearing * All reading are typical values at rated voltage

* Function type optional * Specifications are subject to change without notice





Size: 172*150*51mm

General Specifications:

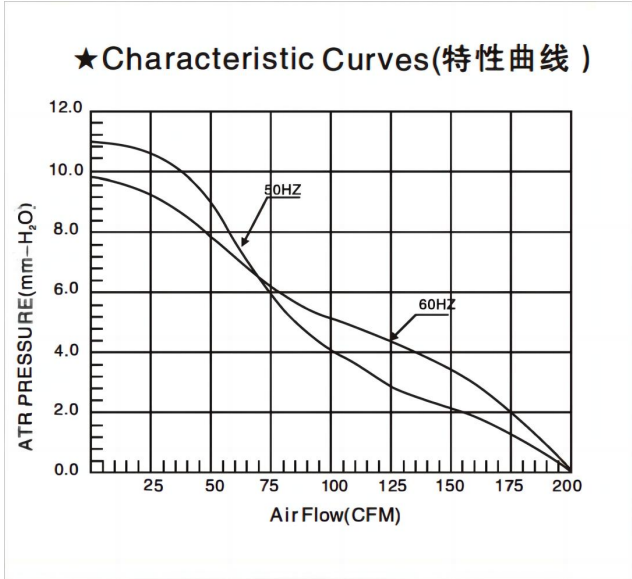
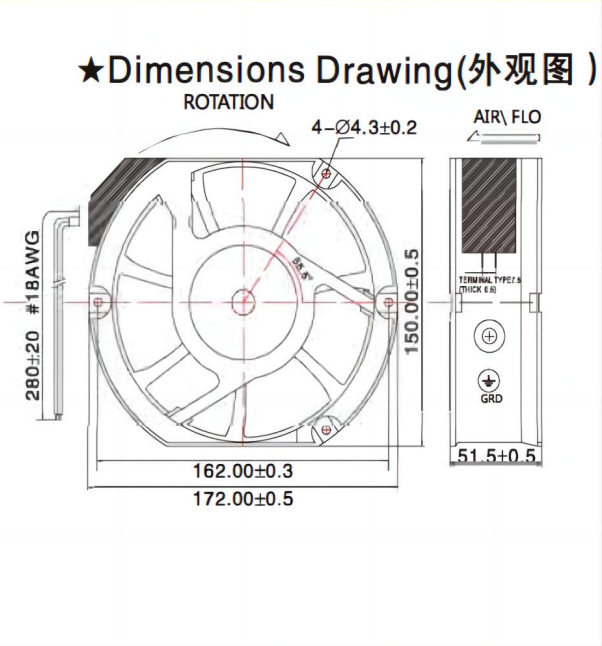
- Die-cast aluminum housing
- Metal impeller or Class fiber reinforced plastic:
Impeller are UL 94V-0 rating
- Shaded pole motor
- Impedance protected
- Bearing: Precision Ball Bearing/Sleeve Bearing
- Storage temperature: -40°C to +75°C
- Operating temperature: -10°C to +70°C



Specifications

Model 型号	Bearing System 轴承	Rated Voltage (V) 电压	Freq. (Hz) 频率	Current (A) 电流	Input Power (W) 功率	Speed (RPM) 转速	Air Flow (CFM) 风量	Static Pressure (mm-H ₂ O) 静压	Noise Level (dB-A) 噪音	Weight (g) 重量
17251HS/B1	Sleeve/Ball	110	50/60	0.48/0.45	38/36	2600/3000	170/196	11.5/14.0	49/56	920
17251MS/B1		110	50/60	0.33/0.30	28/27	2400/2600	155/170	7.5/9.7	45/49	
17251LS/B1		110	50/60	0.15/0.13	21/20	2100/2400	137/155	3.0/3.9	39/45	
17251HS/B2		220	50/60	0.25/0.22	38/36	2600/3000	170/196	11.5/14.0	49/56	
17251MS/B2		220	50/60	0.19/0.15	28/27	2400/2600	155/170	7.5/9.7	45/49	
17251LS/B2		220	50/60	0.14/0.13	21/20	2100/2400	137/155	3.0/3.9	39/45	
17251HS/B3		380	50/60	0.14/0.13	38/36	2600/3000	170/196	11.5/14.0	49/56	

*** B: Two Ball bearing S: Sleeve Bearing * All reading are typical values at rated voltage**
*** Function type optional * Specifications are subject to change without notice**





Size: 180*180*60 mm

General Specifications:

- Die-cast aluminum housing
- Metal impeller or Class fiber reinforced plastic:
Impeller are UL 94V-0 rating
- Shaded pole motor
- Impedance protected
- Bearing: Precision Ball Bearing/Sleeve Bearing
- Storage temperature: -40°C to +75°C
- Operating temperature: -10°C to +70°C



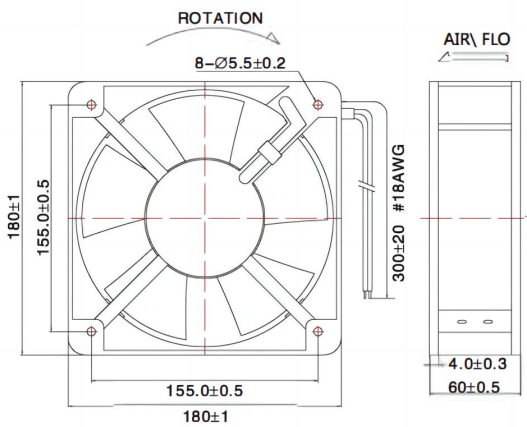
Specifications

Model 型号	Bearing System 轴承	Rated Voltage (V) 电压	Freq (Hz) 频率	Current (A) 电流	Input Power (W) 功率	Speed (RPM) 转速	Air Flow (CFM) 风量	Static Pressure (mm-H ₂ O) 静压	Noise Level (dB-A) 噪音	Weight (g) 重量
18060HB1	Ball	110	60	0.69	56	2600	280	13.18	59	1600
18060HB2		220	50	0.30	45	2600	280	13.18	59	
18060HB3		380	50	0.16	42	2550	275	13.10	59	

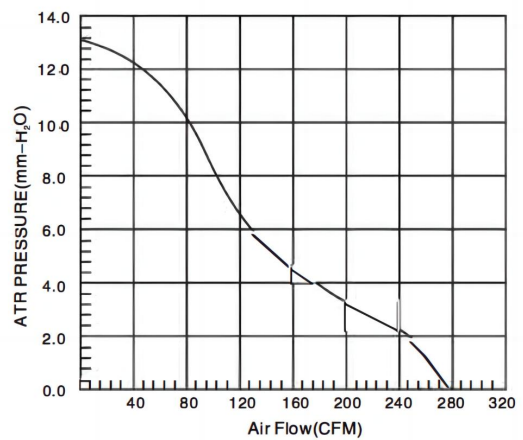
* B: Two Ball bearing S: Sleeve Bearing * All reading are typical values at rated voltage

* Function type optional * Specifications are subject to change without notice

★Dimensions Drawing(外观图)



★Characteristic Curves(特性曲线)





Size:200*200*60mm

General Specifications:

- Die-cast aluminum housing
- Metal impeller or Class fiber reinforced plastic:
Impeller are UL 94V-0 rating
- Shaded pole motor
- Impedance protected
- Bearing: Precision Ball Bearing/Sleeve Bearing
- Storage temperature: -40°C to +75°C
- Operating temperature:-10°C to +70°C

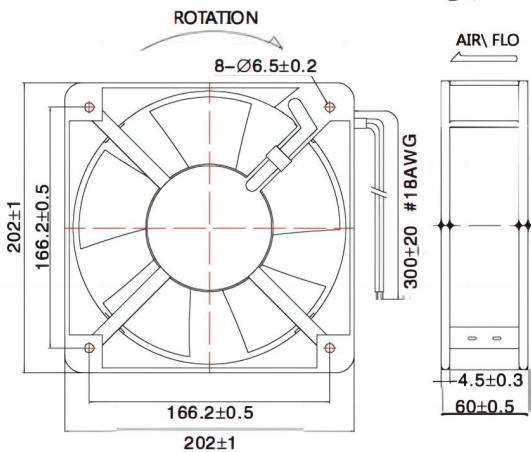


Specifications

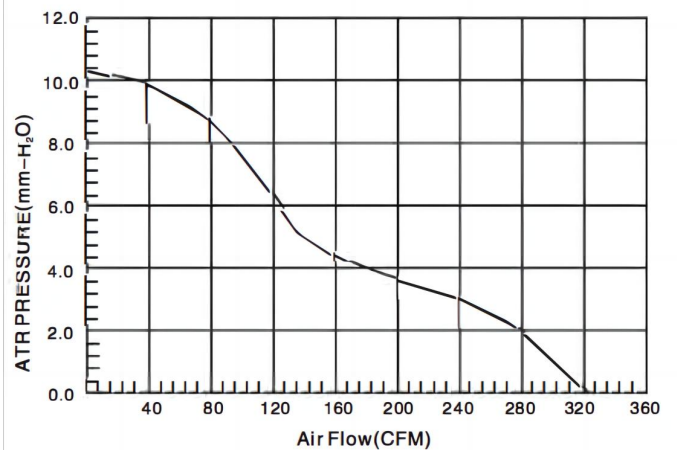
MODEL	Bearing System	Rated Voltage (V)	Frequency (HZ)	Rated Current (A)	Input Power (W)	Speed (RPM)	Max Air Flow (CFM)	Max Static Pressure (mm H2O)	Noise (dBA)	Weight (g)
20060HS(B)1	S/B	110	60	0.69	56	2500	325	10.40	58	1700
20060HS(B)2	S/B	220	50	0.30	48	2500	325	10.40	58	1700
20060HS(B)3	S/B	380	50	0.16	45	2500	325	10.40	58	1700

*** B: Two Ball bearing S: Sleeve Bearing * All reading are typical values at rated voltage**
*** Function type optional * Specifications are subject to change without notice**

★Dimensions Drawing(外观图)



★Characteristic Curves(特性曲线)





Size: $\varnothing 220 \times 60 \text{mm}$

General Specifications:

- Die-cast aluminum housing
- Metal impeller or Class fiber reinforced plastic:
Impeller are UL 94V-0 rating
- Shaded pole motor
- Impedance protected
- Bearing: Precision Ball Bearing/Sleeve Bearing
- Storage temperature: -40°C to $+75^{\circ}\text{C}$
- Operating temperature: -10°C to $+70^{\circ}\text{C}$



Specifications

MODEL	Bearing System	Rated Voltage (V)	Frequency (HZ)	Rated Current (A)	Input Power (W)	Speed (RPM)	Max Air Flow (CFM)	Max Static Pressure (mm H ₂ O)	Noise (dBA)	Weight (g)
22060HS(B)1	S/B	110	60	0.69	56	2500	325	10.40	58	1700
22060HS(B)2	S/B	220	50	0.30	48	2500	325	10.40	58	1700
22060HS(B)3	S/B	380	50	0.16	45	2500	325	10.40	58	1700

* B: Two Ball bearing S: Sleeve Bearing * All reading are typical values at rated voltage

* Function type optional * Specifications are subject to change without notice

★Dimensions Drawing(外观图)

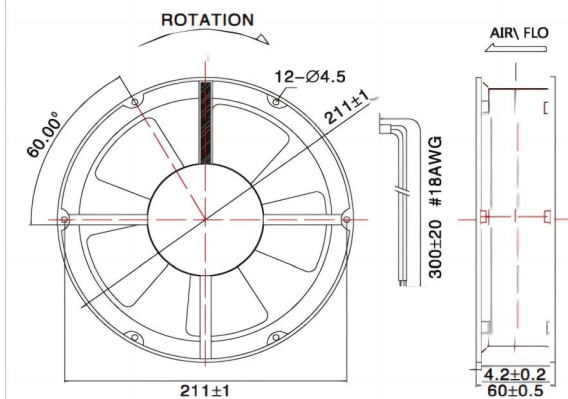
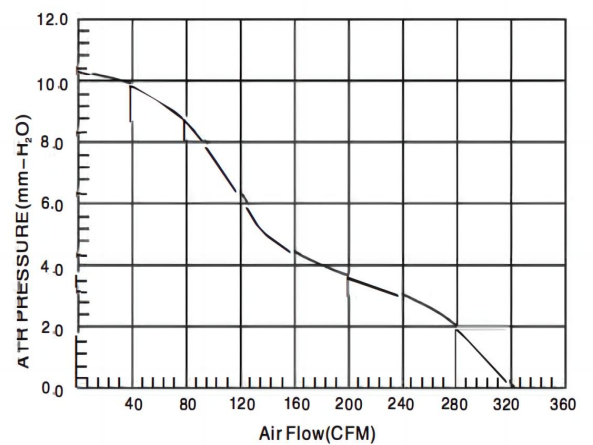


图) ★Characteristic Curves(特性曲线)





Size: $\Phi 254*89$ mm

General Specifications:

- Die-cast aluminum housing
- Metal impeller or Class fiber reinforced plastic:
Impeller are UL 94V-0 rating
- Shaded pole motor
- Impedance protected
- Bearing: Precision Ball Bearing/Sleeve Bearing
- Storage temperature: -40°C to +75°C
- Operating temperature: -10°C to +70°C



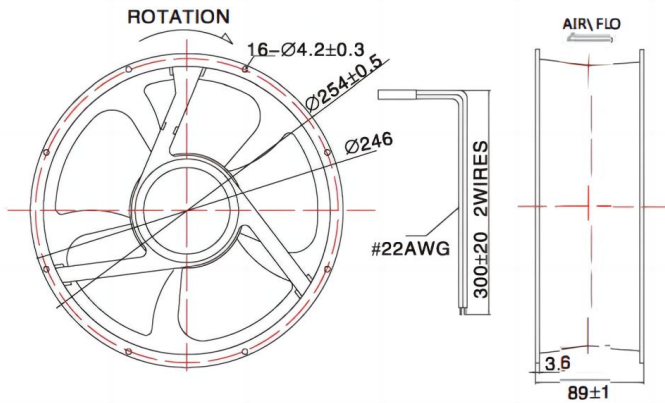
Specifications

MODEL	Bearing System	Rated Voltage (V)	Frequency (HZ)	Rated Current (A)	Input Power (W)	Speed (RPM)	Max Air Flow (CFM)	Max Static Pressure (mm H ₂ O)	Noise (dBA)	Weight (g)
25489HS(B)1	S/B	110	50/60	0.23/0.23	26/23	1400/1700	600/665	6.86/9.15	52/55	2100
25489HS(B)2	S/B	220	50/60	0.24/0.27	56/60	1900/2100	770/850	9.65/10.10	55/58	2100
25489HS(B)3	S/B	380	50	0.12	40	1400	600	6.86	52	2100

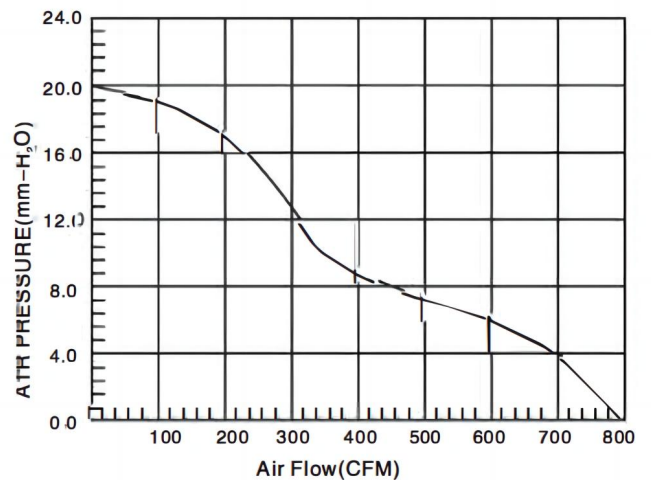
* B: Two Ball bearing S: Sleeve Bearing * All reading are typical values at rated voltage

* Function type optional * Specifications are subject to change without notice

★Dimensions Drawing(外观图)



★Characteristic Curves(特性曲线)





Size: \varnothing 190*68mm

General Specifications:

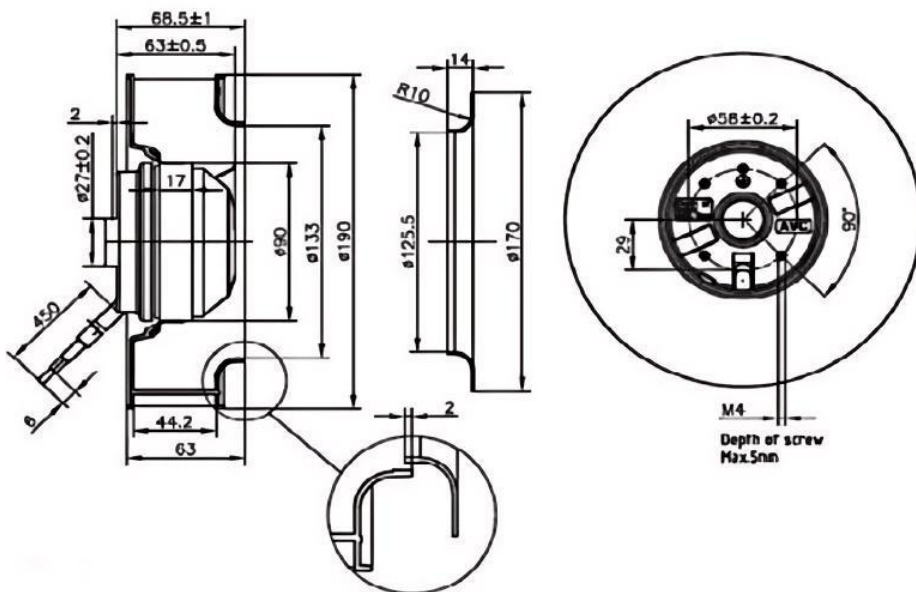
- Die-cast aluminum housing
- Metal impeller or Class fiber reinforced plastic:
Impeller are UL 94V-0 rating
- Shaded pole motor
- Impedance protected
- Bearing: Precision Ball Bearing/Sleeve Bearing
- Storage temperature: -40°C to +75°C
- Operating temperature: -10°C to +70°C



Specifications

MODEL	Bearing System	Rated Voltage (V)	Frequency (HZ)	Rated Current (A)	Input Power (W)	Speed (RPM)	Max Air Flow (CFM)	Max Static Pressure (mm H2O)	Noise (dBA)	Weight (g)
19068HS(B)2	B	220	50	0.45	77	2600	324	33.2	64	1280
19068HS(B)2	B	220	60	0.35	64	2800	369	40.1	67	1280

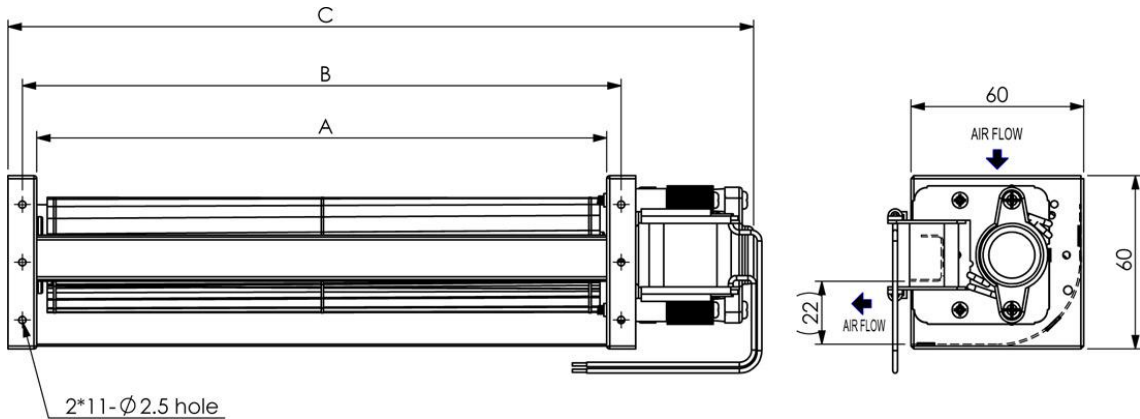
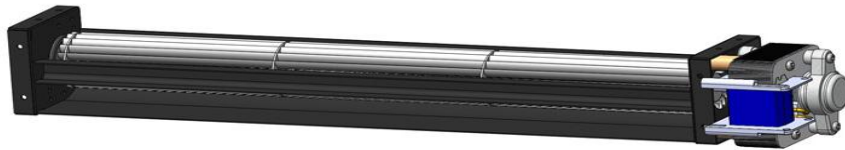
*** B: Two Ball bearing S: Sleeve Bearing * All reading are typical values at rated voltage**
*** Function type optional * Specifications are subject to change without notice**





Cross flow fan

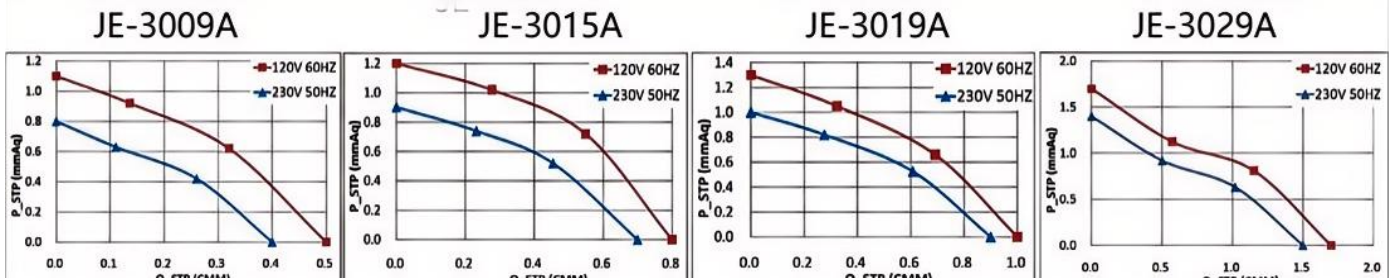
Size: JE-030 AC Fan



Model	Dimensions (mm)			Voltage (V)	Frequency (HZ)	Current (A)	Power (W)	r.p.m.	Pressure (mmAq)	Air Flow (m³/min)	dB(A)	Weight (g)	Approval		
	A	B	C										UL	TUV	CE
JE-03009A12	98	108	154	120	50 / 60	0.10 / 0.08	8.0 / 7.0	2500 / 2900	0.8 / 1.1	0.4 / 0.5	27 / 30	390			
JE-03009A23				230	50 / 60	0.06 / 0.04	8.5 / 7.0	2500 / 2900	0.8 / 1.1	0.4 / 0.5	27 / 29		○	○	
JE-03015A12	160	170	222	120	50 / 60	0.14 / 0.12	10.0 / 8.5	2700 / 3100	0.9 / 1.2	0.7 / 0.8	31 / 34	530	○		
JE-03015A23				230	50 / 60	0.09 / 0.07	10.5 / 9.5	2700 / 3100	0.9 / 1.2	0.7 / 0.8	31 / 34		○	○	○
JE-03019A12	198	208	260	120	50 / 60	0.14 / 0.12	10.0 / 9.0	2700 / 3100	1.0 / 1.3	0.9 / 1.0	31 / 34	550	○		
JE-03019A23				230	50 / 60	0.09 / 0.07	11.0 / 9.5	2700 / 3100	1.0 / 1.3	0.9 / 1.0	31 / 34		○	○	○
JE-03029A12	300	310	366	120	50 / 60	0.20 / 0.17	15.0 / 13.5	2700 / 3100	1.4 / 1.7	1.5 / 1.7	34 / 37	670	○		

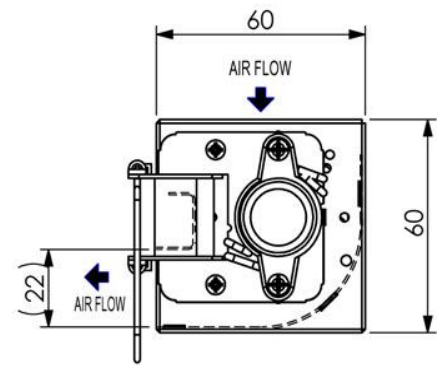
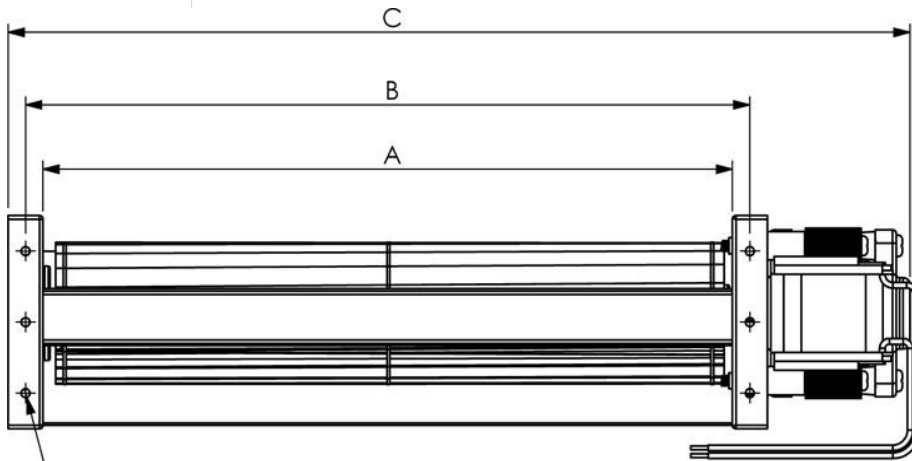
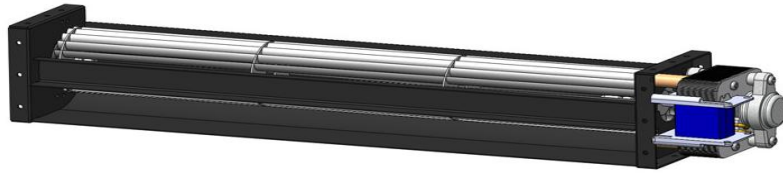
* All reading are typical values at rated voltage

* Specifications are subject to change without notice





Size: JE-040 AC Fan



2*11-Ø2.5 hole

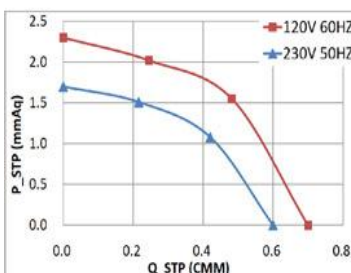
Motor : AC Shaded Pole type 1Ø 2P

Spec. Model	Size(mm)			Rated Voltage (V)	Rated Frequency (HZ)	Rated Current (A)	Input Power (W)	Speed (r.p.m.)	Max Pressure (mmAq)	Maximum Air Flow (m³/min)	Noise (dBA)	Weight (g)	Safety Approval		
	A	B	C										UL	TUV	CE
JE-04009A12	98	108	160	120	50 / 60	0.14 / 0.12	10.0 / 9.0	2700 / 3000	1.7 / 2.3	0.6 / 0.7	32 / 35	520	o		
JE-04009A23				230	50 / 60	0.09 / 0.07	11.0 / 9.5	2700 / 3000	1.7 / 2.3	0.6 / 0.7	33 / 36		o	o	o
JE-04015A12	160	170	222	120	50 / 60	0.15 / 0.13	11.0 / 10.0	2600 / 2800	1.9 / 2.4	1.0 / 1.1	34 / 36	560	o		
JE-04015A23				230	50 / 60	0.09 / 0.07	11.0 / 10.0	2600 / 2800	1.9 / 2.4	1.0 / 1.1	34 / 37		o	o	o
JE-04019A12	198	208	260	120	50 / 60	0.15 / 0.13	12.0 / 11.0	2500 / 2400	2.0 / 2.6	1.4 / 1.3	34 / 35	600	o		
JE-04019A23				230	50 / 60	0.09 / 0.07	12.0 / 11.0	2500 / 2400	2.0 / 2.6	1.4 / 1.3	34 / 36		o	o	o
JE-04029A12	300	310	366	120	50 / 60	0.23 / 0.21	17.0 / 16.0	2400 / 2300	2.1 / 2.6	2.1 / 2.0	38 / 38	730	o		
JE-04029A23				230	50 / 60	0.10 / 0.09	14.0 / 13.0	2400 / 2300	2.1 / 2.6	2.1 / 2.0	35 / 34		o	o	o

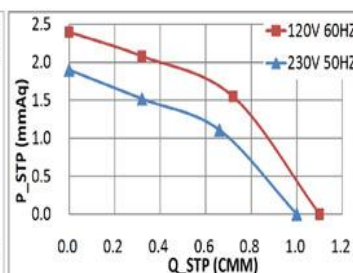
* All reading are typical values at rated voltage

* Specifications are subject to change without notice

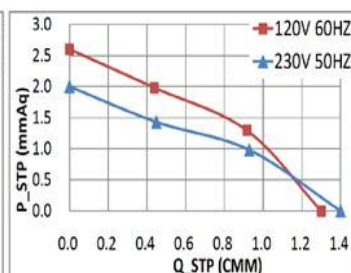
JE-04009A



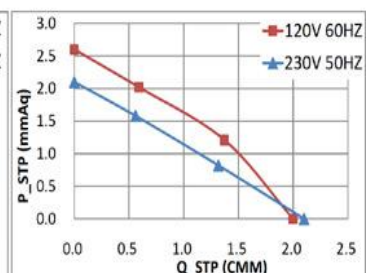
JE-04015A



JE-04019A

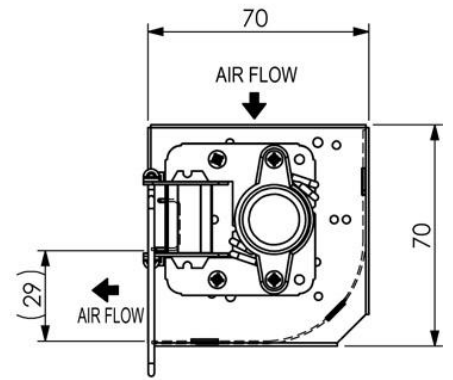
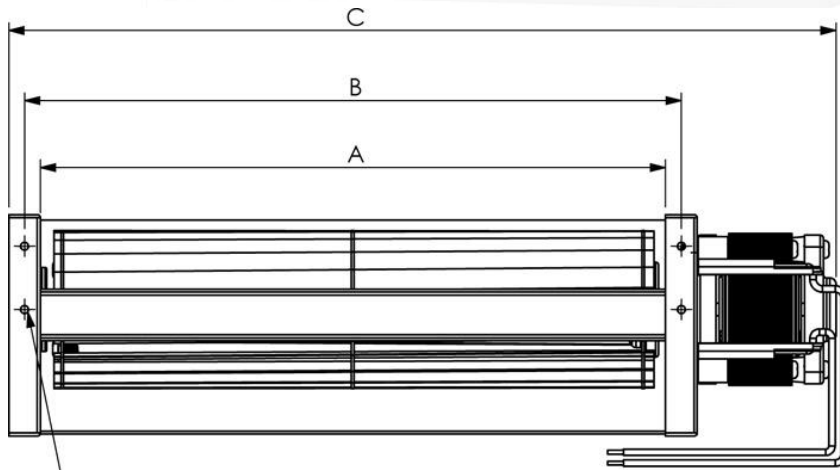
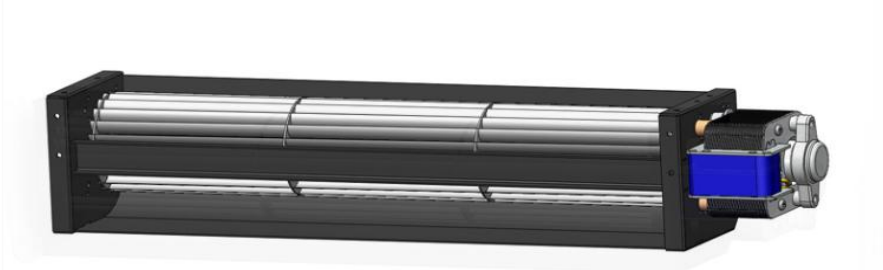


JE-04029A





Size: JE-050 AC Fan



2*8-M4抽孔攻牙

Motor : AC Shaded Pole type 1Ø 2P

Spec. Model	Size(mm)			Rated Voltage (V)	Rated Frequency (HZ)	Rated Current (A)	Input Power (W)	Speed (r.p.m.)	Max Pressure (mmAq)	Maximum Air Flow (m³/min)	Noise (dBA)	Weight (g)	Safety Approval		
	A	B	C										UL	TUV	CE
JE-05009A12	98	108	162	120	50 / 60	0.15 / 0.13	11.0 / 10.0	2300 / 2400	2.7 / 3.6	0.7 / 0.8	38 / 39	610	○		
JE-05009A23				230	50 / 60	0.09 / 0.07	11.5 / 10.5	2300 / 2400	2.7 / 3.6	0.7 / 0.8	38 / 39		○	○	○
JE-05019A12	198	208	267	120	50 / 60	0.23 / 0.21	18.0 / 16.0	2200 / 1800	3.1 / 3.7	1.9 / 1.7	40 / 35	770	○		
JE-05019A23				230	50 / 60	0.10 / 0.09	14.0 / 13.0	1900 / 1400	3.1 / 3.6	1.8 / 1.6	37 / 31		○	○	○
JE-05029A12	298	308	377	120	50 / 60	0.35 / 0.33	24.0 / 24.0	2200 / 1800	3.7 / 4.3	3.3 / 2.5	46 / 41	1100	○		
JE-05029A23				230	50 / 60	0.15 / 0.14	21.0 / 20.0	2100 / 1500	3.7 / 4.1	3.3 / 2.3	43 / 35		○	○	○
JE-05035A12	358	368	437	120	50 / 60	0.35 / 0.33	23.0 / 23.0	2100 / 1500	3.7 / 4.3	3.1 / 2.9	42 / 36	1200			
JE-05035A23				230	50 / 60	0.15 / 0.14	20.0 / 19.0	1900 / 1300	3.5 / 4.0	3.0 / 2.6	40 / 32				

* All reading are typical values at rated voltage

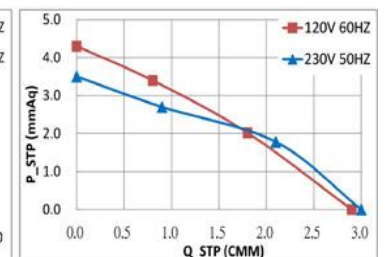
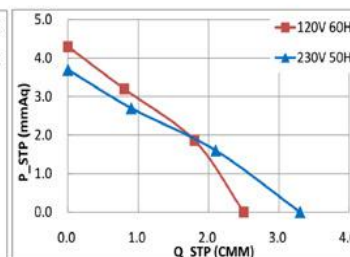
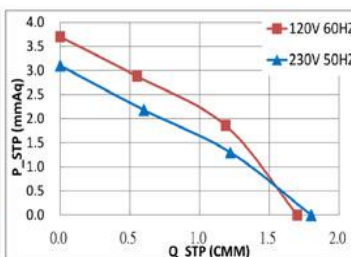
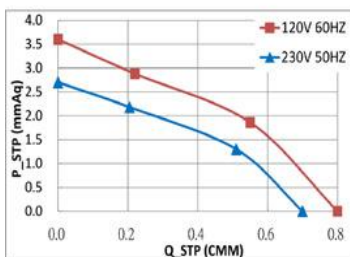
* Specifications are subject to change without notice

JE-05009A

JE-05019A

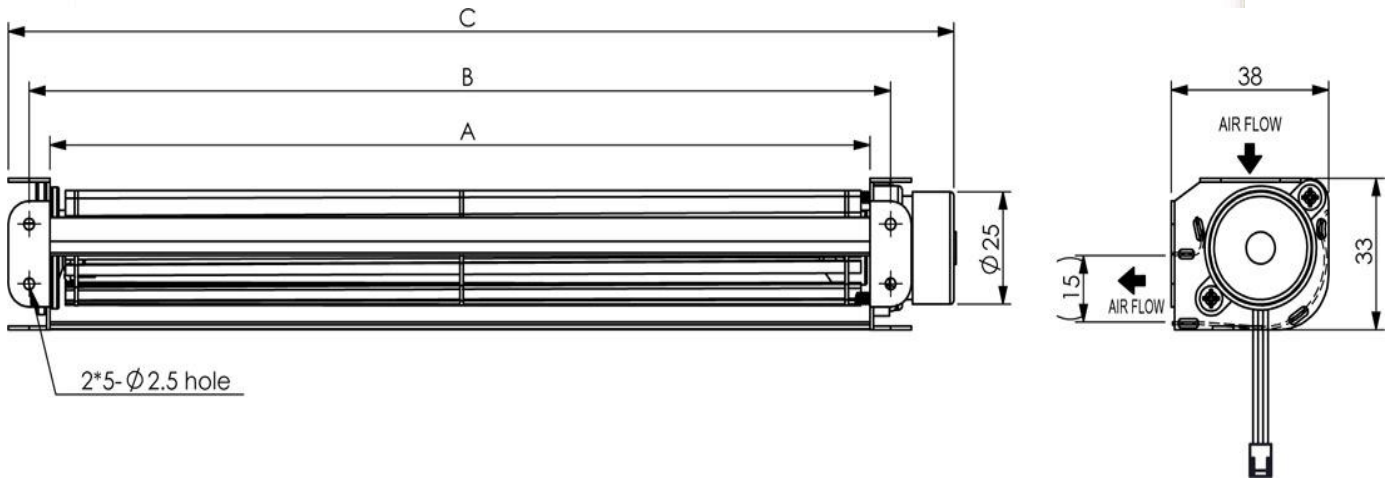
JE-05029A

JE-05035A





Size: JED-025 DC Fan

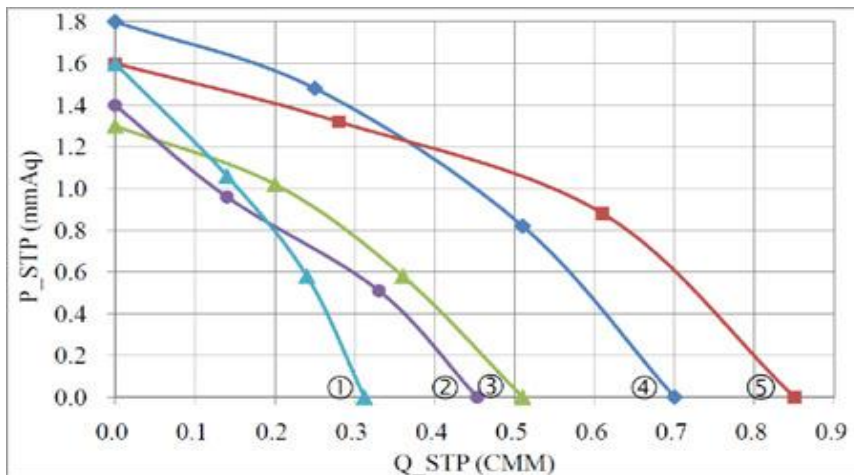


Motor : DC Brushless type

Spec. Model	Size(mm)			Rated Voltage (V)	Rated Current (A)	Speed (r.p.m.)	Max Pressure (mmAq)	Maximum Air Flow (m ³ /min)	Noise (dBA)	Weight (g)	Safety Approval		
	A	B	C								UL	TUV	CE
JED-02509A12-3B ①	98	108	128	12	0.11	3500	1.6	0.31	32	95			○
JED-02515A12-3B ②	160	170	190		0.13	2900	1.4	0.45	29	120			○
JED-02519A12-3B ③	198	208	228		0.14	2700	1.3	0.51	28	140			○
JED-02524A12-3B ④	250	260	280		0.20	2600	1.8	0.70	32	160			○
JED-02529A12-3B ⑤	298	308	328		0.21	2500	1.6	0.85	33	180			○

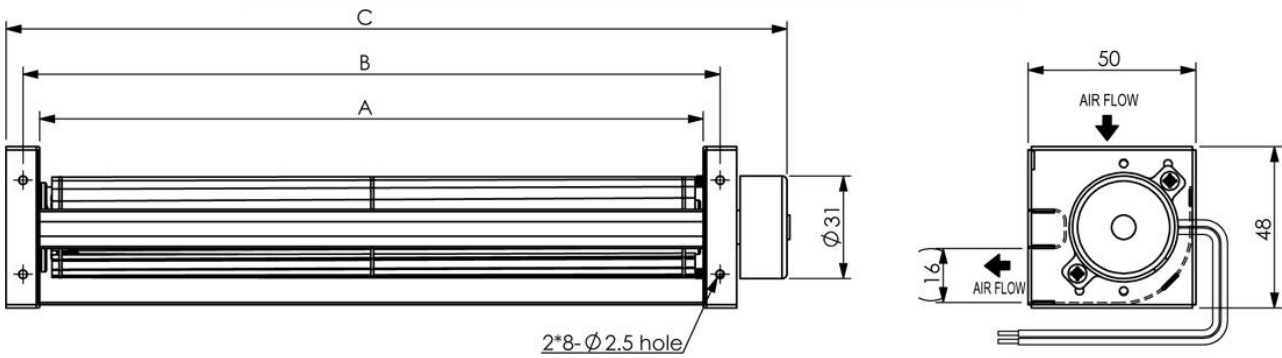
* All reading are typical values at rated voltage

* Specifications are subject to change without notice





Size: JED-030 DC Fan

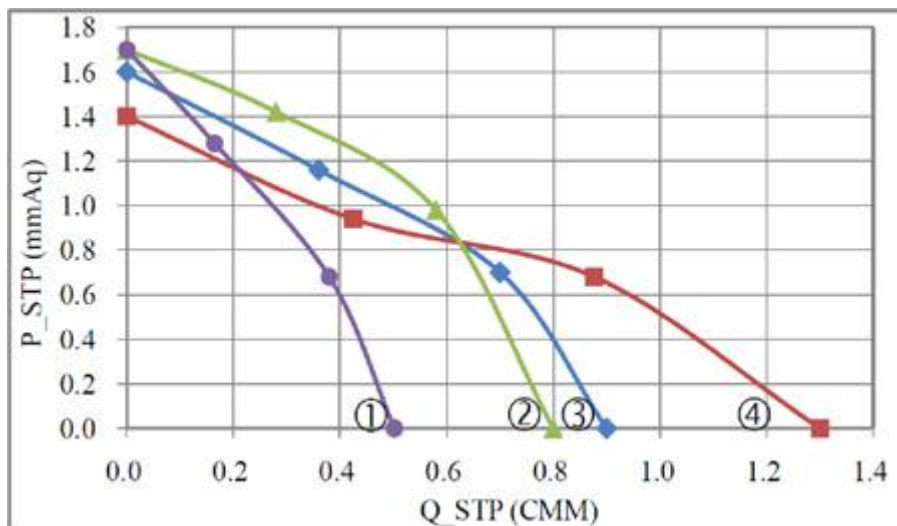


Motor : DC Brushless type

Spec. Model	Size(mm)			Rated Voltage (V)	Rated Current (A)	Speed (r.p.m.)	Max Pressure (mmAq)	Maximun Air Flow (m³/min)	Noise (dBA)	Weight (g)	Safety Approval		
	A	B	C								UL	TUV	CE
JED-03009A12M-3B ①	98	108	133	12	0.17	3500	1.7	0.5	38	180	○		
JED-03009A24M-3B ①				24	0.16						○		
JED-03015A12M-3B ②	160	170	195	12	0.22	3100	1.7	0.8	37	210	○		
JED-03015A24M-3B ②				24	0.18						○		
JED-03019A12M-3B ③	198	208	233	12	0.25	2900	1.6	0.9	36	230	○		
JED-03019A24M-3B ③				24	0.16								
JED-03029A12M-3B ④	300	310	335	12	0.29	2600	1.4	1.3	35	290	○		
JED-03029A24M-3B ④				24	0.20								

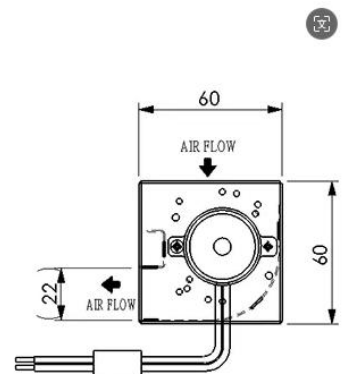
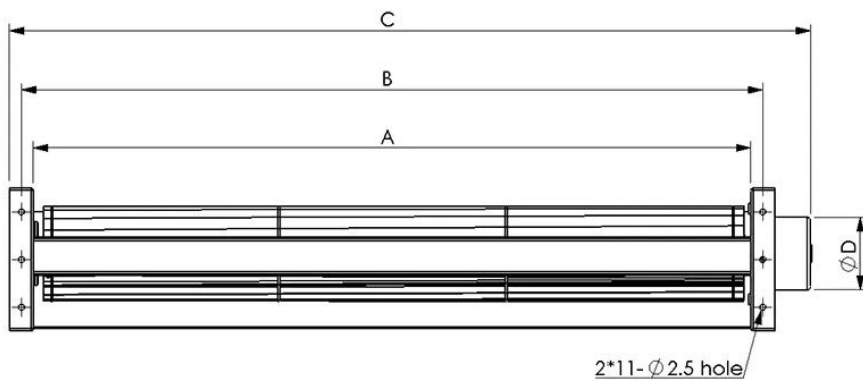
* All reading are typical values at rated voltage

* Specifications are subject to change without notice





Size: JED-040 DC Fan

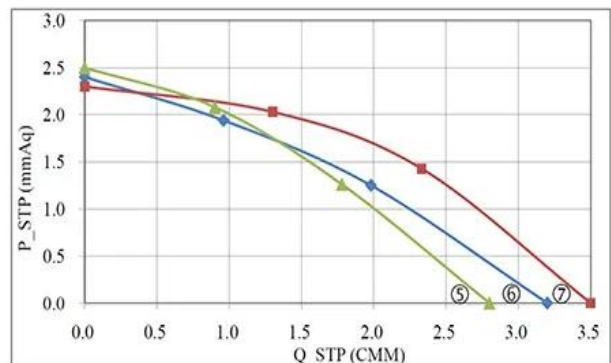
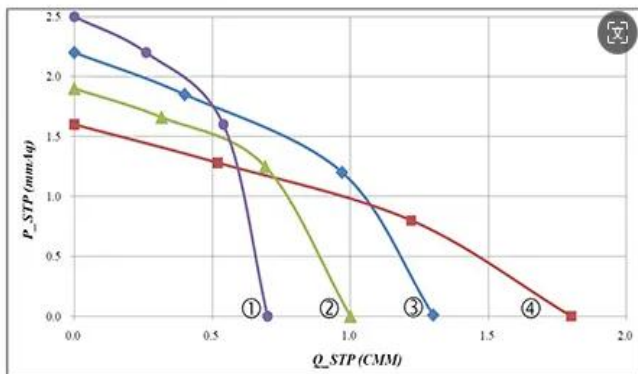


Additional Function : PWM or Voltage Control Available

Spec. Model	Size(mm)				Rated Voltage (V)	Rated Current (A)	Speed (r.p.m.)	Max Pressure (mmAq)	Maximum Air Flow (m3/min)	Noise (dBA)	Weight (g)	Safety Approval		
	A	B	C	D								UL	TUV	CE
JED-04009A12M-3B ①	98	108	133	31	12	0.22	2950	2.5	0.7	37	220	○		
JED-04009A24M-3B ①												24	0.18	
JED-04015A12M-3B ②	160	170	195	31	12	0.25	2500	1.9	1.0	37	260			
JED-04015A24M-3B ②												24	0.20	
JE3-04019A12M-3B ③	198	208	233	31	12	0.29	2400	2.2	1.3	36	275			○
JE3-04019A24-3B ③												24	0.16	
JE3-04029A12M-3B ④	300	310	335	31	12	0.33	2000	1.6	1.8	32	350			○
JE3-04029A24-3B ④												24	0.18	
JE3-04030A24-3B ⑤	310	320	350	38		0.30	2600	2.5	2.8	39	420			○
JE3-04035A24-3B ⑥	360	370	400	38	24	0.32	2450	2.4	3.2	38	470			○
JE3-04040A24-3B ⑦	410	420	450	38		0.34	2400	2.3	3.5	37	510			○

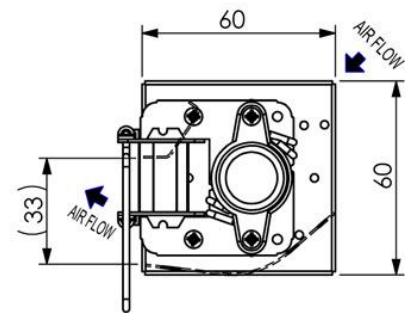
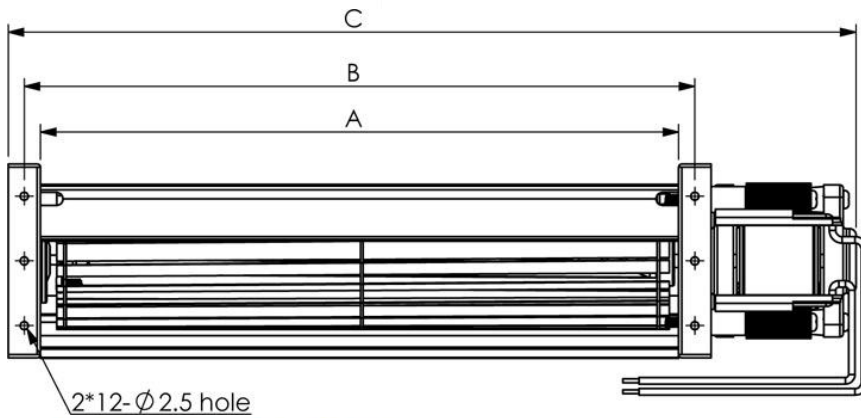
* All reading are typical values at rated voltage

* Specifications are subject to change without notice



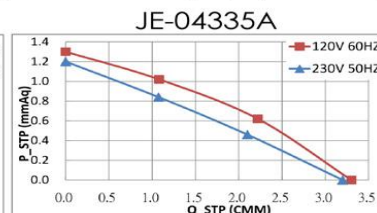
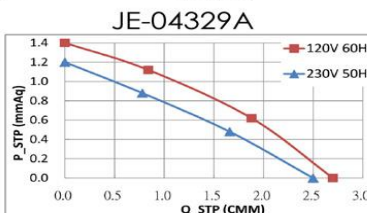
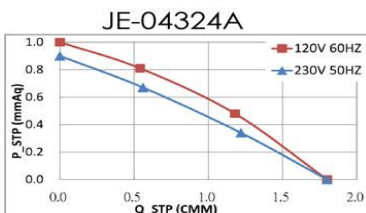
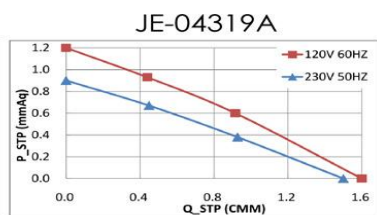
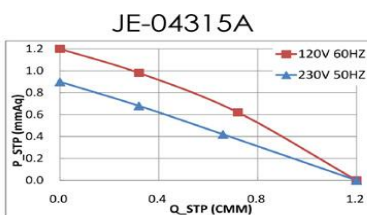
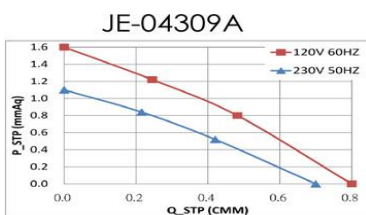


Size: JE-043 AC Fan



Motor : AC Shaded Pole type 1Ø 2P

Spec. Model	Size(mm)			Rated Voltage (V)	Rated Frequency (HZ)	Rated Current (A)	Input Power (W)	Speed (r.p.m.)	Max Pressure (mmAq)	Maximum Air Flow (m³/min)	Noise (dBA)	Weight (g)	Safety Approval		
	A	B	C										UL	TUV	CE
JE-04309A12	98	108	160	120	50 / 60	0.14 / 0.12	10.0 / 9.0	2600 / 3000	1.1 / 1.6	0.7 / 0.8	37 / 40	520			
JE-04309A23				230	50 / 60	0.08 / 0.07	10.0 / 9.0	2600 / 3000	1.1 / 1.6	0.7 / 0.8	38 / 41				
JE-04315A12	160	170	222	120	50 / 60	0.15 / 0.13	11.0 / 10.0	2300 / 2200	0.9 / 1.2	1.2 / 1.2	37 / 35	550			
JE-04315A23				230	50 / 60	0.08 / 0.07	11.0 / 10.0	2300 / 2200	0.9 / 1.2	1.2 / 1.2	38 / 36				
JE-04319A12	198	208	264	120	50 / 60	0.22 / 0.19	15.0 / 14.0	2400 / 2500	0.9 / 1.2	1.5 / 1.6	39 / 40	650			
JE-04319A23				230	50 / 60	0.09 / 0.08	13.0 / 12.0	2400 / 2500	0.9 / 1.2	1.5 / 1.6	38 / 36				
JE-04324A12	250	260	315	120	50 / 60	0.22 / 0.20	16.5 / 15.5	2400 / 2300	0.9 / 1.0	1.9 / 1.8	39 / 38	680	o		
JE-04324A23				230	50 / 60	0.09 / 0.08	13.0 / 12.0	2300 / 2000	0.9 / 1.0	1.8 / 1.6	37 / 34				
JE-04329A12	300	310	375	120	50 / 60	0.32 / 0.29	22.0 / 21.0	2600 / 2900	1.2 / 1.4	2.5 / 2.7	44 / 45	890	o		
JE-04329A23				230	50 / 60	0.14 / 0.13	19.0 / 18.0	2500 / 2500	1.2 / 1.4	2.5 / 2.5	43 / 42		o		
JE-04335A12	360	370	435	120	50 / 60	0.34 / 0.32	23.0 / 23.0	2500 / 2500	1.2 / 1.3	3.3 / 3.3	43 / 43	920	o		
JE-04335A23				230	50 / 60	0.15 / 0.14	20.0 / 19.0	2400 / 2100	1.2 / 1.3	3.2 / 2.5	42 / 39		o		





Plastic Filter Guard Series



Metal Finger Guard Series

