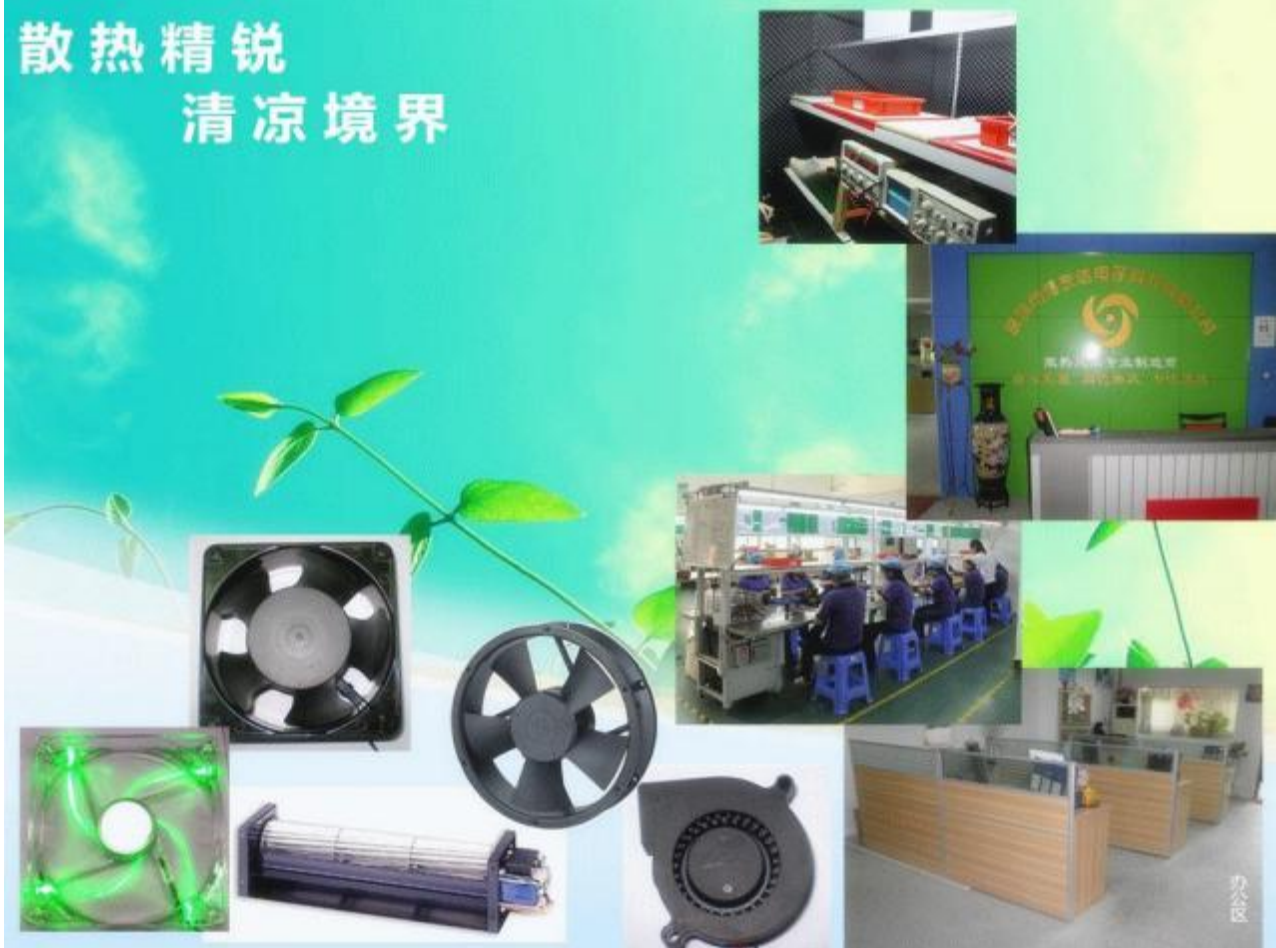




深圳市福庆达电子科技有限公司

SHENZHEN FQD ELECTRONICS TECH CO.,LTD

散热精锐
清凉境界



散热风扇专业制造商

Professional manufacturer of cooling fan

TEL: +86-755-83493030 Fax: +86-755-83490486

86-13923747343 , 86-13751145906

Email: lgqing202@vip.163.com

http://:www.fqdfan.com



Established in 2006, Shenzhen Fuqingda Electronics Tech Co., Ltd is a company that integrates research, development, manufacturing and sale of fans, We provide DC fans, AC fans, blowers fans, cross flow fans, heatsinks, various fan guard nets and more, All our products have gained international and national safety certifications such as CE, UL, ROHS, TUV.

We devote ourselves to supply the best cooling products and thermal solutions for our customers with advanced manufacturing techniques, operation rules of safety specifications, strict detection mechanism and excellent quality as the management concept.

“The professional heart leads the professional hands, Which brings about achievements of professional” is the faith of Fuqingda, Quality is our life for development. We exert great efforts to provide high-quality products and the best services

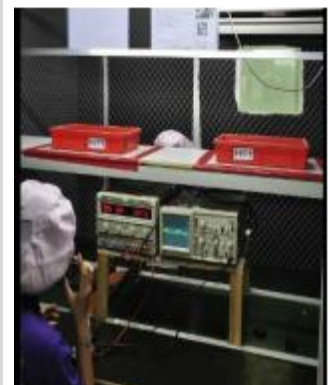
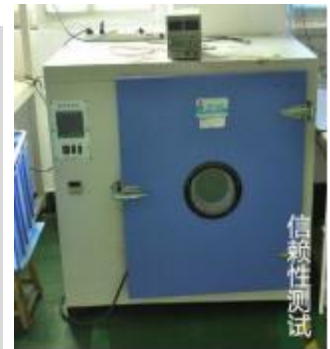




Table of Contents

| | |
|----------------|-----|
| Contents | 3-5 |
|----------------|-----|

DC Cooling fan

| | |
|-------------------------------|----|
| 15*15*06mm | 6 |
| 20*20*06mm | 7 |
| 20*20*10mm | 8 |
| 25*25*07mm | 9 |
| 25*25*10mm | 10 |
| 30*30*07mm | 11 |
| 30*30*10mm | 12 |
| 30*30*15mm | 13 |
| 35*35*10mm | 14 |
| 40*40*07mm | 15 |
| 40*40*10mm | 16 |
| 40*10*15mm | 17 |
| 40*40*20mm | 18 |
| 40*40*28mm | 19 |
| 45*45*10mm | 20 |
| 50*50*10mm | 21 |
| 50*50*15mm | 22 |
| 50*50*20mm | 23 |
| 60*60*10mm | 24 |
| 60*60*15mm | 25 |
| 60*60*20mm | 26 |
| 60*60*25mm | 27 |
| 60*60*38mm | 28 |
| 70*70*10mm | 29 |
| 70*70*15mm | 30 |
| 70*70*25mm | 31 |
| 80*80*10mm | 32 |
| 80*80*15mm | 33 |
| 80*80*20mm | 34 |
| 80*80*25mm | 35 |
| 80*80*38mm | 36 |
| 92*92*25mm | 37 |
| 92*92*25mm -1 | 38 |
| 92*92*38mm | 39 |
| 92*92*38mm Max air flow | 40 |



| | |
|---------------------------|----|
| 100*100*12mm | 41 |
| 120*120*25mm | 42 |
| 120*120*25mm Max air flow | 43 |
| 120*120*38mm | 44 |
| 120*120*38mm Max air flow | 45 |
| 140*140*25mm | 46 |
| 172*150*51mm | 47 |
| 225*225* 80mm | 48 |
| ∅ 254*89mm | 49 |

DC Blower fan

| | |
|--------------|----|
| 40*40* 10mm | 50 |
| 40*40*20mm | 51 |
| 50*50*10mm | 52 |
| 50*50*15mm | 53 |
| 50*50*20mm | 54 |
| 60*60*15mm | 56 |
| 60*60*25mm | 56 |
| 60*60*28mm | 57 |
| 75*75*15mm | 58 |
| 75*75*25mm | 59 |
| 75*75*30mm | 60 |
| 93*93*30mm | 61 |
| 97*94*33mm | 62 |
| 120*120*32mm | 63 |
| 130*130*40mm | 64 |

AC axial cooling fan

| | |
|-----------------|----|
| 60*60*30 mm | 65 |
| 80*80*25 mm | 66 |
| 80*80*38 mm | 67 |
| 92*92*25 mm | 68 |
| 92*92*38 mm | 69 |
| 110*110*25mm | 70 |
| 120*120*25mm | 71 |
| 120*120*38mm | 72 |
| 120*120*38mm -7 | 73 |
| 135*135*38mm | 74 |
| 150*150*51mm | 75 |
| 172*150*51mm | 76 |
| 180*180*60mm | 77 |
| 200*200*60mm | 78 |
| ∅ 220*60mm | 79 |
| ∅ 254*89mm | 80 |
| ∅ 198*60mm | 81 |



Cross flow fan

| | |
|-----------------------------------|----|
| JE - 030AC fan | 82 |
| JE - 040AC fan | 83 |
| JE - 050AC fan | 84 |
| JED-025DC fan | 85 |
| JED-030DC fan | 86 |
| JED-040DC fan | 87 |
| JE -043 AC fan | 88 |
| Plastic filter guard series | 89 |
| Metal finger guard series | 90 |



DC COOLING FAN

Size: 15*15*06mm

General Specifications:

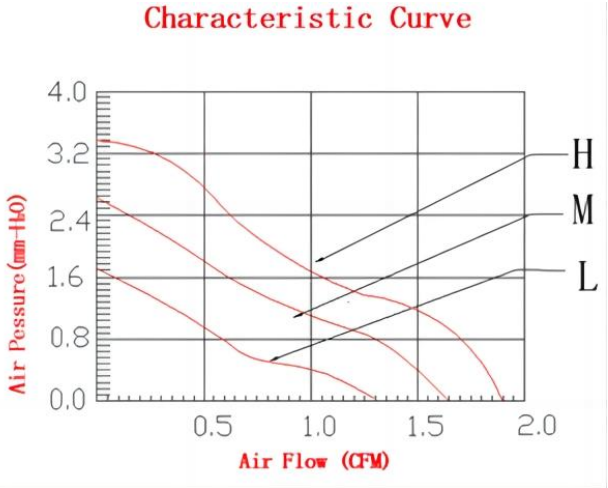
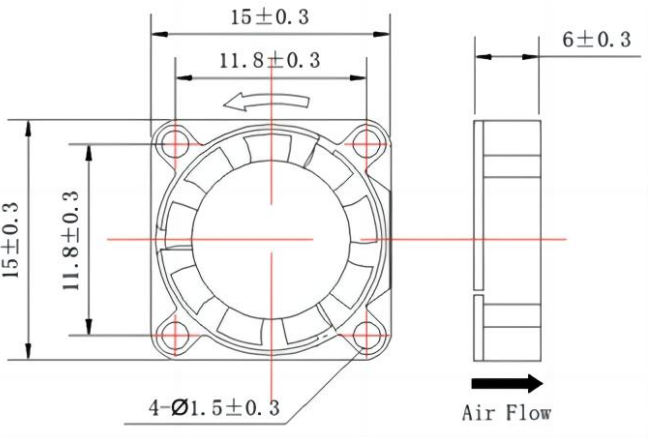
- Motor: 4 pole brushless DC motor
- Frame: Thermoplastic PBT+30%GF
- Impeller: Thermoplastic PBT+15%GF
- Bearing: Precision Ball Bearing/Sleeve Bearing
- Storage temperature: -40°C to +75°C
- Operating temperature: -10°C to +70°C



Major Characteristic Parameters

| Model 型号 | Bearing Type 轴承类型 | Voltage | Current | Speed | Air Flow | Pressure | Noise | Weight |
|-------------|----------------------|---------|---------|-------|----------|--------------------|-------|--------|
| | | 电压 | 电流 | 转速 | 风量 | 风压 | 噪音 | 重量 |
| | | VDC | A | RPM | CFM | mmH ₂ O | dBA | g |
| FD0315067S1 | Sleeve | 3.3 | 0.09 | 10000 | 0.32 | 0.96 | 18.75 | 2 |
| FD0315065S1 | | | 0.06 | 8000 | 0.23 | 0.61 | 18.63 | |
| FD0515067S1 | Sleeve | 5 | 0.08 | 13000 | 0.43 | 1.6 | 19.63 | |
| FD0515065S1 | | | 0.07 | 10000 | 0.32 | 0.96 | 18.75 | |
| FD0515063S1 | | | 0.06 | 8000 | 0.23 | 0.61 | 18.63 | |

* B: Two Ball bearing S: Sleeve Bearing * All reading are typical values at rated voltage
 * Function type optional * Specifications are subject to change without notice





Size: 20*20*07mm

General Specifications:

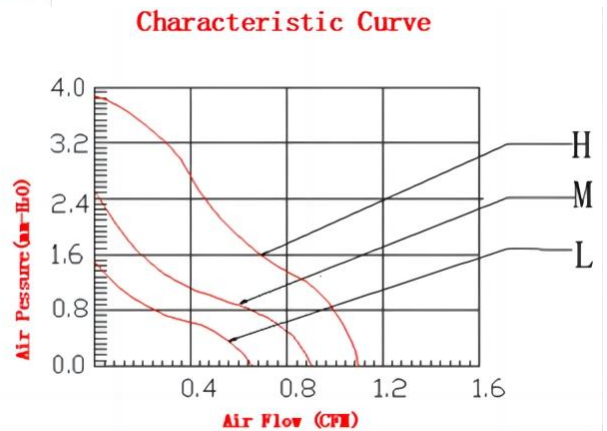
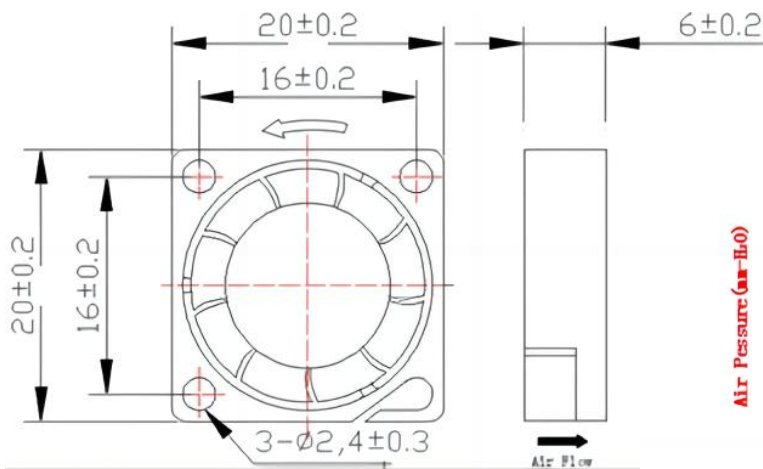
Motor: 4 pole brushless DC motor
 Frame: Thermoplastic PBT+30%GF
 Impeller: Thermoplastic PBT+15%GF
 Bearing: Precision Ball Bearing/Sleeve Bearing
 Storage temperature: -40°C to +75°C
 Operating temperature: -10°C to +70°C



Major Characteristic Parameters

| MODEL | Bearing System | Rated Voltage (V) | Rated Current (A) | Input Power (W) | Speed (RPM) | Max Air Flow (CFM) | Max Static Pressure (mm H2O) | Noise (dBA) | Weight (g) |
|------------|----------------|-------------------|-------------------|-----------------|-------------|--------------------|------------------------------|-------------|------------|
| FD1220067S | S | 12 | 0.12 | 1.44 | 13000 | 0.94 | 3.17 | 38.0 | 5 |
| FD1220065S | S | 12 | 0.09 | 1.2 | 10000 | 0.61 | 1.97 | 31.0 | 5 |
| FD1220063S | S | 12 | 0.07 | 0.96 | 7000 | 0.38 | 1.06 | 22.0 | 5 |
| FD0520067S | S | 5 | 0.14 | 0.9 | 13000 | 0.94 | 3.17 | 38.0 | 5 |
| FD0520065S | S | 5 | 0.12 | 0.7 | 10000 | 0.61 | 1.97 | 31.0 | 5 |
| FD0520063S | S | 5 | 0.09 | 0.6 | 7000 | 0.38 | 1.06 | 22.0 | 5 |

* B: Two Ball bearing S: Sleeve Bearing * All reading are typical values at rated voltage
 * Function type optional * Specifications are subject to change without notice





Size: 20*20*10 mm

General Specifications:

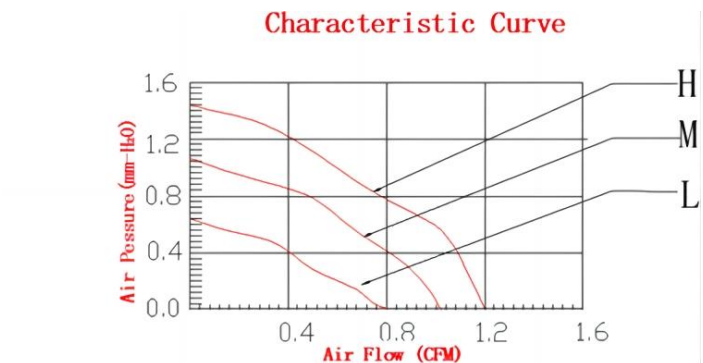
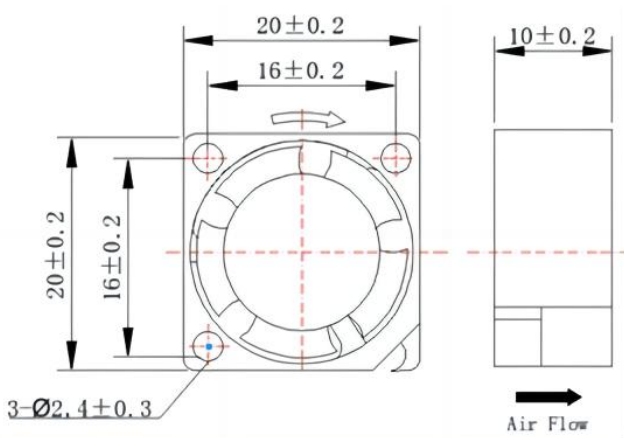
- Motor: 4 pole brushless DC motor
- Frame: Thermoplastic PBT+30%GF
- Impeller: Thermoplastic PBT+15%GF
- Bearing: Precision Ball Bearing/Sleeve Bearing
- Storage temperature: -40°C to +75°C
- Operating temperature: -10°C to +70°C



Major Characteristic Parameters

| Model 型号 | Bearing Type 轴承类型 | Rated Voltage | Current | Speed | Air flow | Pressure | Noise | Weight |
|--------------|----------------------|---------------|---------|-------|----------|--------------------|-------|--------|
| | | 额定电压 | 电流 | 转速 | 转速 | 风压 | 噪音 | 重量 |
| | | VDC | A | RPM | CFM | mmH ₂ O | dBA | g |
| FD1220107S/B | Sleeve/Ball | 12 | 0.12 | 15000 | 1.5 | 1.2 | 31.08 | 5 |
| FD1220105S/B | | | 0.08 | 12000 | 1.2 | 0.96 | 24.87 | |
| FD1220103S/B | | | 0.05 | 9000 | 0.9 | 0.72 | 18.65 | |
| FD0520107S/B | Sleeve/Ball | 5 | 0.16 | 15000 | 1.5 | 1.2 | 31.08 | |
| FD0520105S/B | | | 0.14 | 12000 | 1.2 | 0.96 | 24.87 | |
| FD0520103S/B | | | 0.09 | 9000 | 0.9 | 0.72 | 18.65 | |

* B: Two Ball bearing S: Sleeve Bearing * All reading are typical values at rated voltage
 * Function type optional * Specifications are subject to change without notice





Size: 25*25*07mm

General Specifications:

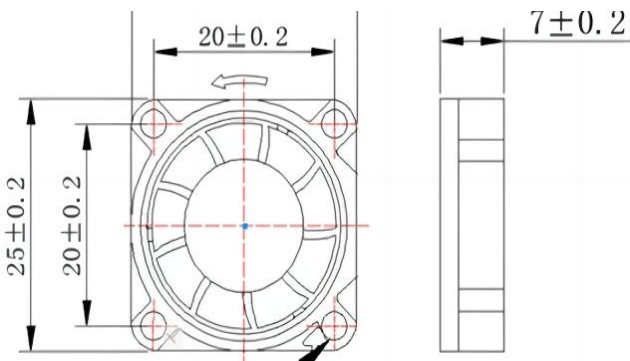
Motor: 4 pole brushless DC motor
 Frame: Thermoplastic PBT+30%GF
 Impeller: Thermoplastic PBT+15%GF
 Bearing: Precision Ball Bearing/Sleeve Bearing
 Storage temperature: -40°C to +75°C
 Operating temperature: -10°C to +70°C



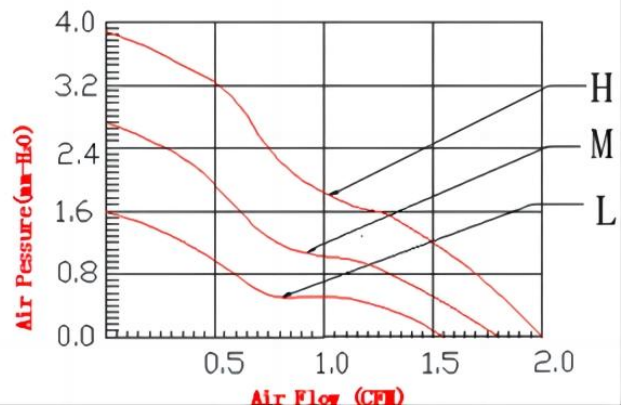
Major Characteristic Parameters

| MODEL | Bearing System | Rated Voltage (V) | Rated Current (A) | Input Power (W) | Speed (RPM) | Max Air Flow (CFM) | Max Static Pressure (mm H2O) | Noise (dBA) | Weight (g) |
|---------------|----------------|-------------------|-------------------|-----------------|-------------|--------------------|------------------------------|-------------|------------|
| FD1225077S(B) | S/B | 12 | 0.12 | 1.44 | 14000 | 2.45 | 5.89 | 30.0 | 6 |
| FD1225075S(B) | S/B | 12 | 0.10 | 1.20 | 12000 | 2.03 | 3.69 | 27.0 | 6 |
| FD1225073S(B) | S/B | 12 | 0.08 | 0.96 | 9000 | 1.35 | 1.64 | 20.0 | 6 |
| FD0525077S(B) | S/B | 5 | 0.18 | 0.9 | 14000 | 2.45 | 5.89 | 30.0 | 6 |
| FD0525075S(B) | S/B | 5 | 0.14 | 0.7 | 12000 | 2.03 | 3.69 | 27.0 | 6 |
| FD0525073S(B) | S/B | 5 | 0.12 | 0.6 | 9000 | 1.35 | 1.64 | 20.0 | 6 |

* B: Two Ball bearing S: Sleeve Bearing * All reading are typical values at rated voltage
 * Function type optional * Specifications are subject to change without notice



Characteristic Curve





Size: 25*25*10mm

General Specifications:

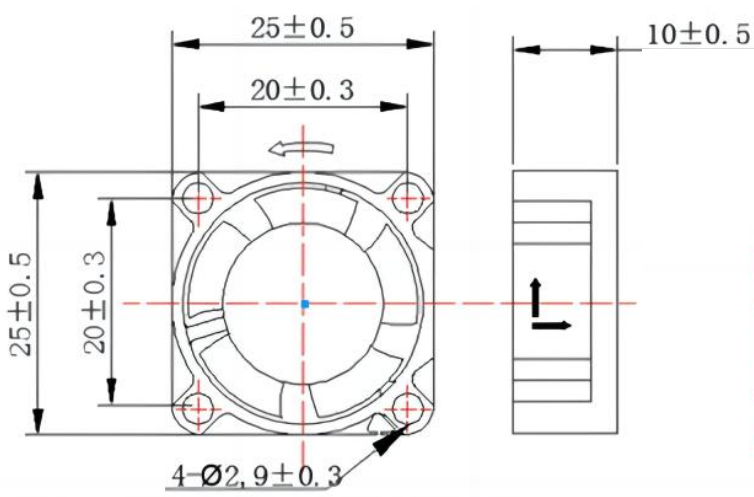
Motor: 4 pole brushless DC motor
 Frame: Thermoplastic PBT+30%GF
 Impeller: Thermoplastic PBT+15%GF
 Bearing: Precision Ball Bearing/Sleeve Bearing
 Storage temperature: -40°C to +75°C
 Operating temperature: -10°C to +70°C



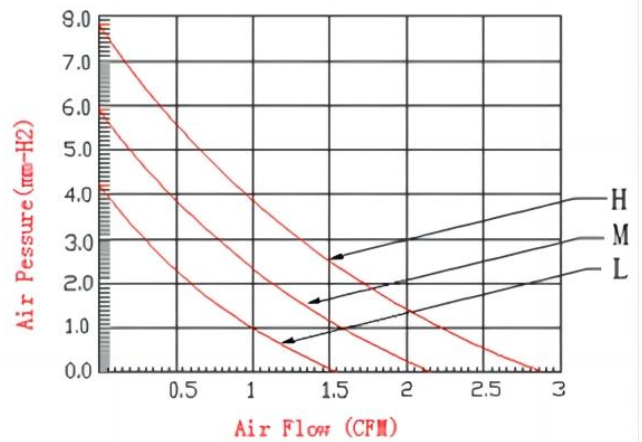
Major Characteristic Parameters

| MODEL | Bearing System | Rated Voltage (V) | Rated Current (A) | Input Power (W) | Speed (RPM) | Max Air Flow (CFM) | Max Static Pressure (mm H2O) | Noise (dBA) | Weight (g) |
|---------------|----------------|-------------------|-------------------|-----------------|-------------|--------------------|------------------------------|-------------|------------|
| FD1225107S(B) | S/B | 12 | 0.12 | 1.44 | 12000 | 2.49 | 4.71 | 28.0 | 7 |
| FD1225105S(B) | S/B | 12 | 0.10 | 1.2 | 10000 | 1.82 | 3.29 | 24.0 | 7 |
| FD1225103S(B) | S/B | 12 | 0.08 | 0.96 | 9000 | 1.11 | 1.47 | 21.0 | 7 |
| FD0525107S(B) | S/B | 5 | 0.18 | 0.9 | 12000 | 2.49 | 4.71 | 28.0 | 7 |
| FD0525105S(B) | S/B | 5 | 0.14 | 0.7 | 10000 | 1.82 | 3.29 | 24.0 | 7 |
| FD0525103S(B) | S/B | 5 | 0.12 | 0.6 | 9000 | 1.11 | 1.47 | 21.0 | 7 |

* B: Two Ball bearing S: Sleeve Bearing * All reading are typical values at rated voltage
 * Function type optional * Specifications are subject to change without notice



Characteristic Curve

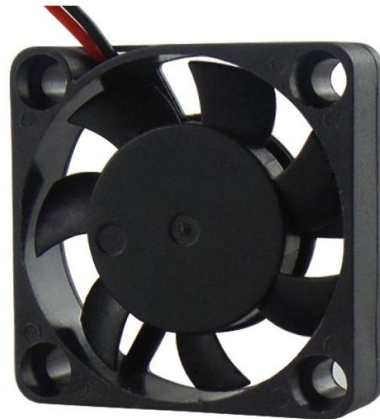




Size: 30*30*07mm

General Specifications:

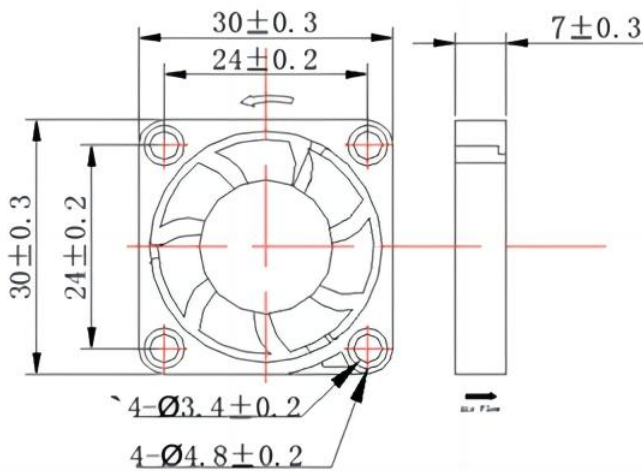
Motor: 4 pole brushless DC motor
 Frame: Thermoplastic PBT+30%GF
 Impeller: Thermoplastic PBT+15%GF
 Bearing: Precision Ball Bearing/Sleeve Bearing
 Storage temperature: -40°C to +75°C
 Operating temperature: -10°C to +70°C



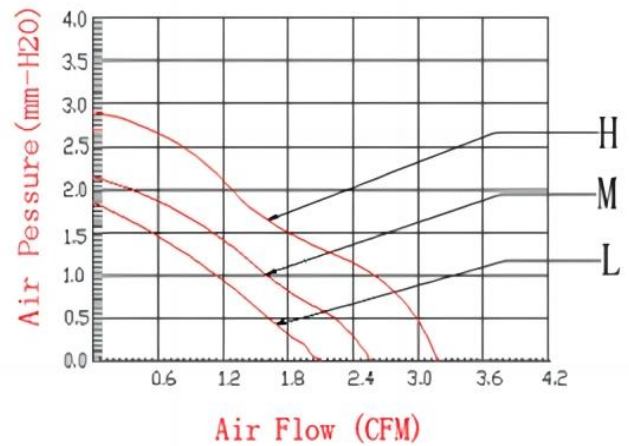
Major Characteristic Parameters

| MODEL | Bearing System | Rated Voltage (V) | Rated Current (A) | Input Power (W) | Speed (RPM) | Max Air Flow (CFM) | Max Static Pressure (mm H2O) | Noise (dBA) | Weight (g) |
|---------------|----------------|-------------------|-------------------|-----------------|-------------|--------------------|------------------------------|-------------|------------|
| FD1230077S(B) | S/B | 12 | 0.12 | 1.44 | 13000 | 2.49 | 5.30 | 31.0 | 7 |
| FD1230075S(B) | S/B | 12 | 0.10 | 1.20 | 11000 | 2.03 | 3.32 | 28.0 | 7 |
| FD1230073S(B) | S/B | 12 | 0.08 | 0.96 | 8000 | 1.35 | 1.45 | 22.0 | 7 |
| FD0530077S(B) | S/B | 5 | 0.18 | 0.9 | 13000 | 2.49 | 5.30 | 31.0 | 7 |
| FD0530075S(B) | S/B | 5 | 0.14 | 0.7 | 11000 | 2.03 | 3.32 | 28.0 | 7 |
| FD0530073S(B) | S/B | 5 | 0.12 | 0.6 | 8000 | 1.35 | 1.45 | 22.0 | 7 |

* B: Two Ball bearing S: Sleeve Bearing * All reading are typical values at rated voltage
 * Function type optional * Specifications are subject to change without notice



Characteristic Curve

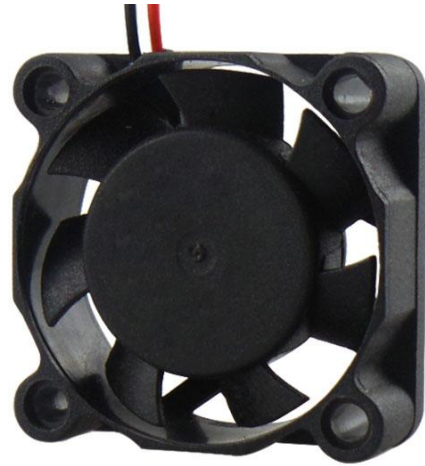




Size: 30*30*10mm

General Specifications:

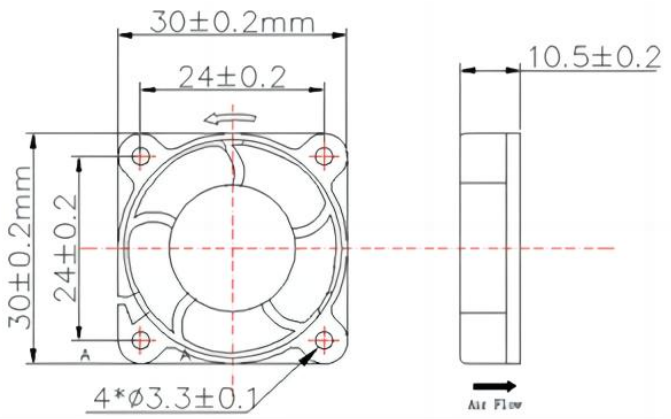
Motor: 4 pole brushless DC motor
 Frame: Thermoplastic PBT+30%GF
 Impeller: Thermoplastic PBT+15%GF
 Bearing: Precision Ball Bearing/Sleeve Bearing
 Storage temperature: -40°C to +75°C
 Operating temperature: -10°C to +70°C



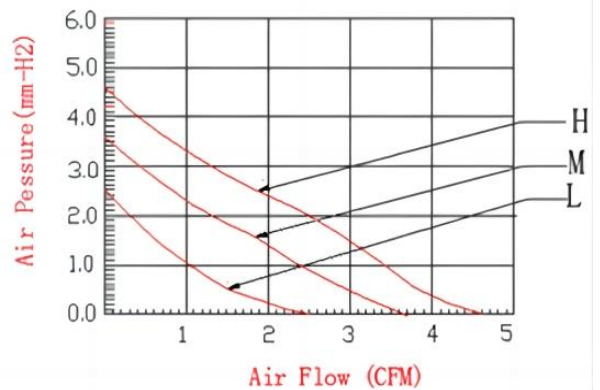
Major Characteristic Parameters

| MODEL | Bearing System | Rated Voltage (V) | Rated Current (A) | Input Power (W) | Speed (RPM) | Max Air Flow (CFM) | Max Static Pressure (mm H2O) | Noise (dBA) | Weight (g) |
|---------------|----------------|-------------------|-------------------|-----------------|-------------|--------------------|------------------------------|-------------|------------|
| FD1230107S(B) | S/B | 12 | 0.12 | 1.44 | 12000 | 3.73 | 4.83 | 31.0 | 6 |
| FD1230105S(B) | S/B | 12 | 0.08 | 0.96 | 10000 | 2.91 | 3.37 | 27.0 | 6 |
| FD1230103S(B) | S/B | 12 | 0.07 | 0.72 | 7000 | 2.14 | 2.03 | 22.0 | 6 |
| FD0530107S(B) | S/B | 5 | 0.20 | 1.0 | 12000 | 3.73 | 4.83 | 31.0 | 6 |
| FD0530105S(B) | S/B | 5 | 0.14 | 0.7 | 10000 | 2.91 | 3.37 | 27.0 | 6 |
| FD0530103S(B) | S/B | 5 | 0.12 | 0.6 | 7000 | 2.14 | 2.03 | 22.0 | 6 |

* B: Two Ball bearing S: Sleeve Bearing * All reading are typical values at rated voltage
 * Function type optional * Specifications are subject to change without notice



Characteristic Curve





NEW Size:30*30*15mm

General Specifications:

Motor: 4 pole brushless DC motor

Frame: Thermoplastic PBT+30%GF

Impeller: Thermoplastic PBT+15%GF

Bearing: Precision Ball Bearing/Sleeve Bearing

Storage temperature: -40°C to +75°C

Operating temperature: -10°C to +70°C



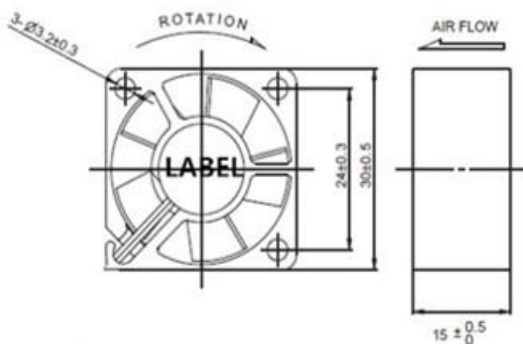
Major Characteristic Parameters



| MODEL | Bearing System | Rated Voltage (V) | Rated Current (A) | Input Power (W) | Speed (RPM) | Max Air Flow (CFM) | Max Static Pressure (mm H2O) | Noise (dBA) | Weight (g) |
|---------------|----------------|-------------------|-------------------|-----------------|-------------|--------------------|------------------------------|-------------|------------|
| FD1230157S(B) | S/B | 12 | 0.16 | 1.92 | 8500 | 6.00 | 4.32 | 27.0 | 14 |
| FD1230155S(B) | S/B | 12 | 0.12 | 1.44 | 7000 | 4.80 | 3.03 | 20.0 | 14 |
| FD0530155S(B) | S/B | 5 | 0.22 | 1.10 | 8500 | 6.00 | 4.32 | 27.0 | 14 |
| FD0530153S(B) | S/B | 5 | 0.18 | 0.90 | 7000 | 4.80 | 3.03 | 20.0 | 14 |

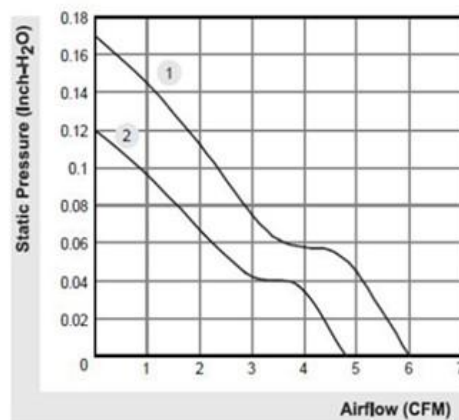
* B: Two Ball bearing S: Sleeve Bearing * All reading are typical values at rated voltage
 * Function type optional * Specifications are subject to change without notice

■ Dimensions Drawing



(Units : mm)

■ P.Q Curve(At Rated Voltage)

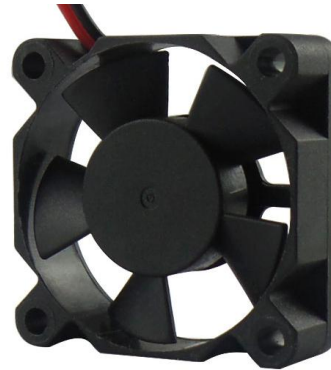




Size:35*35*10mm

General Specifications:

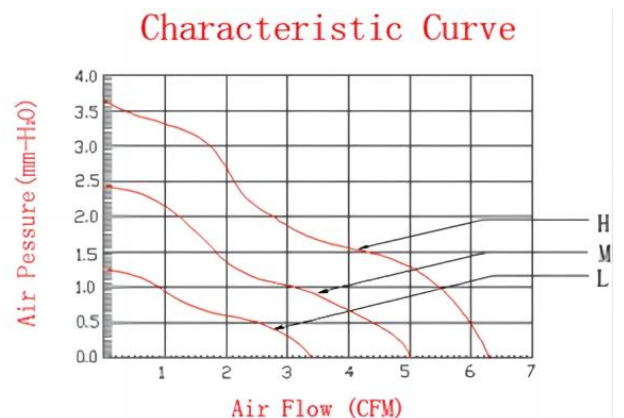
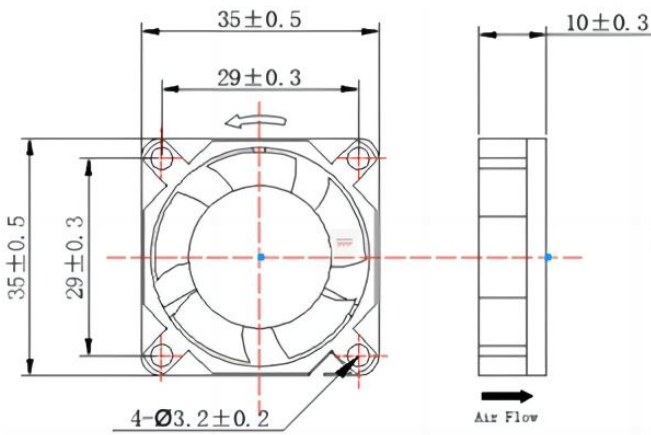
Motor: 4 pole brushless DC motor
 Frame: Thermoplastic PBT+30%GF
 Impeller: Thermoplastic PBT+15%GF
 Bearing: Precision Ball Bearing/Sleeve Bearing
 Storage temperature: -40°C to +75°C
 Operating temperature:-10°C to +70°C



Major Characteristic Parameters

| MODEL | Bearing System | Rated Voltage (V) | Rated Current (A) | Input Power (W) | Speed (RPM) | Max Air Flow (CFM) | Max Static Pressure (mm H2O) | Noise (dBA) | Weight (g) |
|---------------|----------------|-------------------|-------------------|-----------------|-------------|--------------------|------------------------------|-------------|------------|
| FD1235107S(B) | S/B | 12 | 0.12 | 1.44 | 9000 | 6.30 | 5.50 | 28.0 | 10 |
| FD1235105S(B) | S/B | 12 | 0.10 | 1.2 | 8000 | 5.51 | 4.50 | 25.0 | 10 |
| FD1235103S(B) | S/B | 12 | 0.08 | 0.96 | 7000 | 4.96 | 3.50 | 23.0 | 10 |
| FD0535109S(B) | S/B | 5 | 0.13 | 0.65 | 9000 | 6.30 | 5.50 | 28.0 | 10 |
| FD0535107S(B) | S/B | 5 | 0.11 | 0.55 | 8000 | 5.51 | 4.50 | 25.0 | 10 |
| FD0535105S(B) | S/B | 5 | 0.09 | 0.45 | 7000 | 4.96 | 3.50 | 23.0 | 10 |
| FD0535103S(B) | S/B | 5 | 0.08 | 0.40 | 6000 | 2.82 | 2.60 | 20.0 | 10 |
| FD0535101S(B) | S/B | 5 | 0.06 | 0.30 | 5000 | 2.11 | 1.80 | 18.0 | 10 |

* B: Two Ball bearing S: Sleeve Bearing * All reading are typical values at rated voltage
 * Function type optional * Specifications are subject to change without notice





Size:40*40*07mm

Geral Specifications:

Motor: 4 pole brushless DC motor
 Frame: Thermoplastic PBT+30%GF
 Impeller: Thermoplastic PBT+15%GF
 Bearing: Precision Ball Bearing/Sleeve Bearing
 Storage temperature: -40°C to +75°C
 Operating temperature:-10°C to +70°C

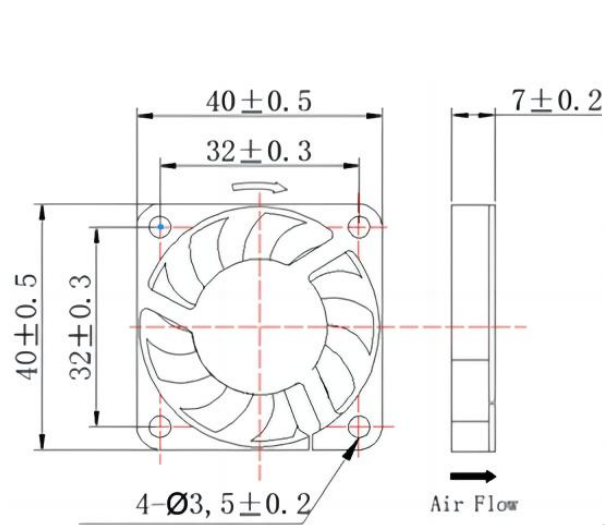


Major Characteristic Parameters

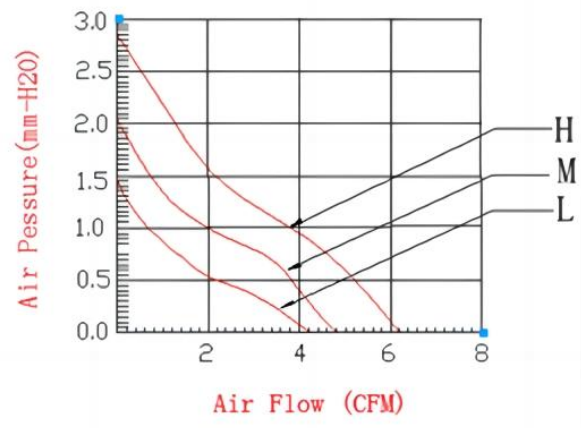


| MODEL | Bearing System | Rated Voltage (V) | Rated Current (A) | Input Power (W) | Speed (RPM) | Max Air Flow (CFM) | Max Static Pressure (mm H2O) | Noise (dBA) | Weight (g) |
|---------------|----------------|-------------------|-------------------|-----------------|-------------|--------------------|------------------------------|-------------|------------|
| FD1240077S(B) | S/B | 12 | 0.12 | 1.44 | 8000 | 7.14 | 4.17 | 33.0 | 12 |
| FD1240075S(B) | S/B | 12 | 0.10 | 1.20 | 7000 | 6.01 | 3.25 | 31.0 | 12 |
| FD1240073S(B) | S/B | 12 | 0.08 | 0.96 | 6000 | 4.98 | 2.44 | 28.0 | 12 |
| FD0540077S(B) | S/B | 5 | 0.25 | 1.25 | 8000 | 7.14 | 4.17 | 33.0 | 12 |
| FD0540075S(B) | S/B | 5 | 0.22 | 1.1 | 7000 | 6.01 | 3.25 | 31.0 | 12 |
| FD0540073S(B) | S/B | 5 | 0.20 | 1.0 | 6000 | 4.98 | 2.44 | 28.0 | 12 |

* B: Two Ball bearing S: Sleeve Bearing * All readings are typical values at rated voltage
 * Function type optional * Specifications are subject to change without notice



Characteristic Curve





Size:40*40*10mm

General Specifications:

Motor: 4 pole brushless DC motor
 Frame: Thermoplastic PBT+30%GF
 Impeller: Thermoplastic PBT+15%GF
 Bearing: Precision Ball Bearing/Sleeve Bearing
 Storage temperature: -40°C to +75°C
 Operating temperature:-10°C to +70°C

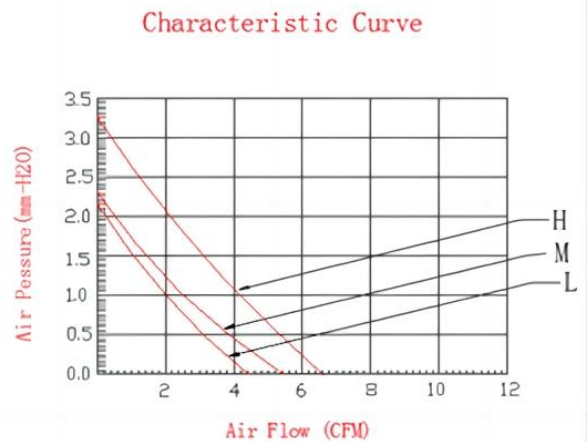
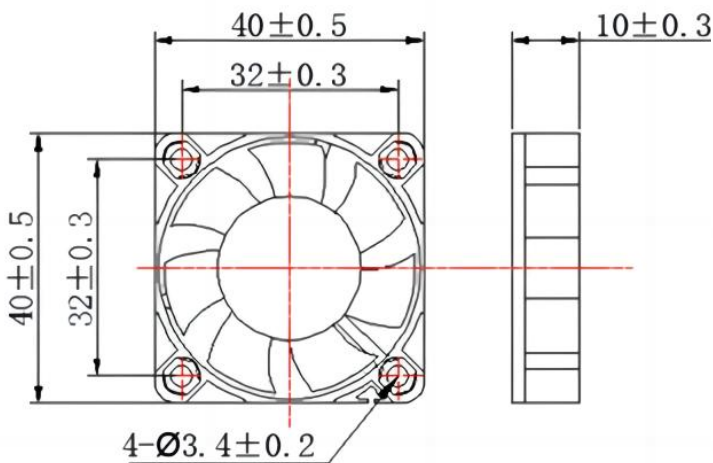


Major Characteristic Parameters



| MODEL | Bearing System | Rated Voltage (V) | Rated Current (A) | Input Power (W) | Speed (RPM) | Max Air Flow (CFM) | Max Static Pressure (mm H2O) | Noise (dBA) | Weight (g) |
|---------------|----------------|-------------------|-------------------|-----------------|-------------|--------------------|------------------------------|-------------|------------|
| FD2440109S(B) | S/B | 24 | 0.10 | 2.40 | 7000 | 6.37 | 4.41 | 32.0 | 20 |
| FD2440107S(B) | S/B | 24 | 0.08 | 1.92 | 6000 | 5.46 | 3.24 | 29.0 | 20 |
| FD2440105S(B) | S/B | 24 | 0.06 | 1.44 | 5000 | 4.55 | 2.25 | 24.0 | 20 |
| FD2440103S(B) | S/B | 24 | 0.05 | 1.20 | 4000 | 3.64 | 1.44 | 20.0 | 20 |
| FD1240107S(B) | S/B | 12 | 0.12 | 1.44 | 7000 | 6.37 | 4.41 | 32.0 | 20 |
| FD1240105S(B) | S/B | 12 | 0.10 | 1.2 | 6000 | 5.46 | 3.24 | 29.0 | 20 |
| FD1240103S(B) | S/B | 12 | 0.08 | 0.96 | 5000 | 4.55 | 2.25 | 24.0 | 20 |
| FD0540107S(B) | S/B | 5 | 0.18 | 0.9 | 6000 | 5.46 | 3.24 | 29.0 | 20 |
| FD0540105S(B) | S/B | 5 | 0.14 | 0.7 | 5000 | 4.55 | 2.25 | 24.0 | 20 |
| FD0540103S(B) | S/B | 5 | 0.12 | 0.6 | 4000 | 3.64 | 1.44 | 21.0 | 20 |

* B: Two Ball bearing S: Sleeve Bearing * All reading are typical values at rated voltage
 * Function type optional * Specifications are subject to change without notice





Size:40*40*15mm

General Specifications:

Motor: 4 pole brushless DC motor
 Frame: Thermoplastic PBT+30%GF
 Impeller: Thermoplastic PBT+15%GF
 Bearing: Precision Ball Bearing/Sleeve Bearing
 Storage temperature: -40°C to +75°C
 Operating temperature:-10°C to +70°C

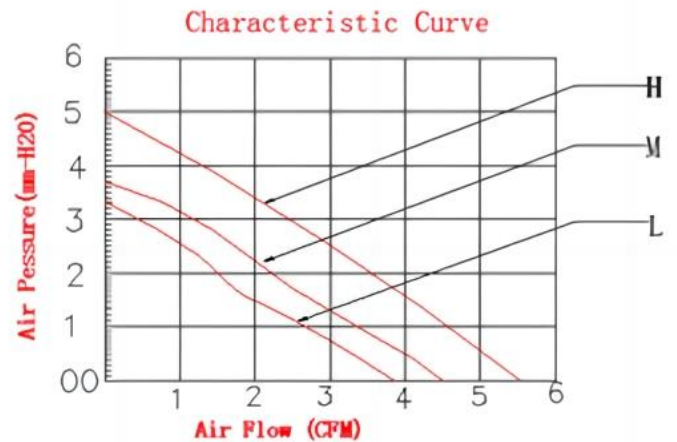
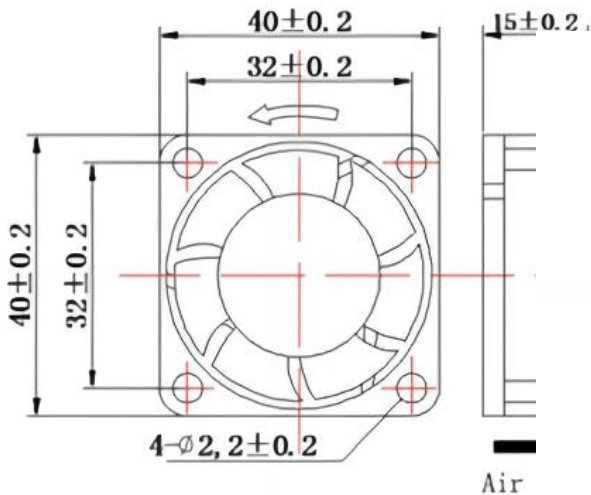


Major Characteristic Parameters



| MODEL | Bearing System | Rated Voltage (V) | Rated Current (A) | Input Power (W) | Speed (RPM) | Max Air Flow (CFM) | Max Static Pressure (mm H2O) | Noise (dBA) | Weight (g) |
|---------------|----------------|-------------------|-------------------|-----------------|-------------|--------------------|------------------------------|-------------|------------|
| FD1240157S(B) | S/B | 12 | 0.18 | 2.18 | 8000 | 9.50 | 8.71 | 32.0 | 25 |
| FD1240155S(B) | S/B | 12 | 0.15 | 1.80 | 7000 | 8.20 | 6.80 | 29.0 | 25 |
| FD1240153S(B) | S/B | 12 | 0.11 | 1.32 | 6000 | 6.63 | 4.60 | 24.0 | 25 |
| FD2440157S(B) | S/B | 24 | 0.10 | 2.40 | 8000 | 9.50 | 8.71 | 32.0 | 25 |
| FD2440155S(B) | S/B | 24 | 0.08 | 1.92 | 7000 | 8.20 | 6.80 | 29.0 | 25 |
| FD2440153S(B) | S/B | 24 | 0.06 | 1.44 | 6000 | 6.63 | 4.60 | 24.0 | 25 |

* B: Two Ball bearing S: Sleeve Bearing * All reading are typical values at rated voltage
 * Function type optional * Specifications are subject to change without notice





Size:40*40*20mm

General Specifications:

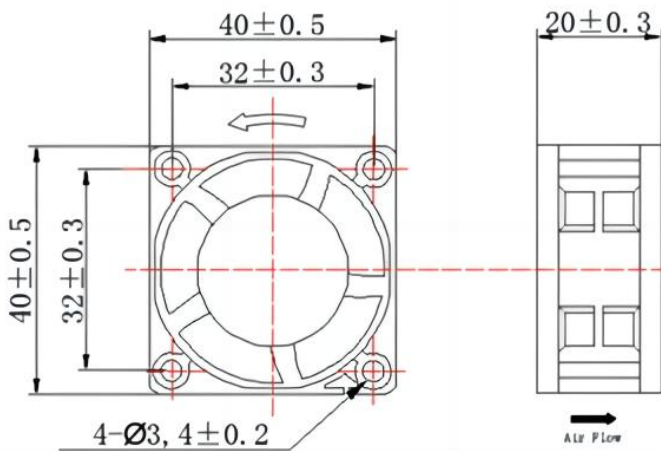
Motor: 4 pole brushless DC motor
 Frame: Thermoplastic PBT+30%GF
 Impeller: Thermoplastic PBT+15%GF
 Bearing: Precision Ball Bearing/Sleeve Bearing
 Storage temperature: -40°C to +75°C
 Operating temperature:-10°C to +70°C



Major Characteristic Parameters

| MODEL | Bearing System | Rated Voltage (V) | Rated Current (A) | Input Power (W) | Speed (RPM) | Max Air Flow (CFM) | Max Static Pressure (mm H2O) | Noise (dBA) | Weight (g) |
|---------------|----------------|-------------------|-------------------|-----------------|-------------|--------------------|------------------------------|-------------|------------|
| FD1240207S(B) | S/B | 12 | 0.15 | 1.80 | 7000 | 8.60 | 6.18 | 30.0 | 24 |
| FD1240205S(B) | S/B | 12 | 0.12 | 1.44 | 6000 | 7.23 | 4.43 | 27.0 | 24 |
| FD1240203S(B) | S/B | 12 | 0.10 | 1.20 | 5000 | 6.00 | 3.14 | 23.0 | 24 |
| FD1240201S(B) | S/B | 12 | 0.08 | 0.96 | 4000 | 4.73 | 2.05 | 21.0 | 24 |
| FD2440207S(B) | S/B | 24 | 0.12 | 2.88 | 7000 | 8.60 | 6.18 | 30.0 | 24 |
| FD2440205S(B) | S/B | 24 | 0.08 | 1.92 | 6000 | 7.23 | 4.43 | 27.0 | 24 |
| FD2440203S(B) | S/B | 24 | 0.06 | 1.44 | 5000 | 6.00 | 3.14 | 23.0 | 24 |

* B: Two Ball bearing S: Sleeve Bearing * All reading are typical values at rated voltage
 * Function type optional * Specifications are subject to change without notice





Size: 40*40*28mm

General Specifications:

Motor: 4 pole brushless DC motor
 Frame: Thermoplastic PBT+30%GF
 Impeller: Thermoplastic PBT+15%GF
 Bearing: Precision Ball Bearing/Sleeve Bearing
 Storage temperature: -40°C to +75°C
 Operating temperature: -10°C to +70°C

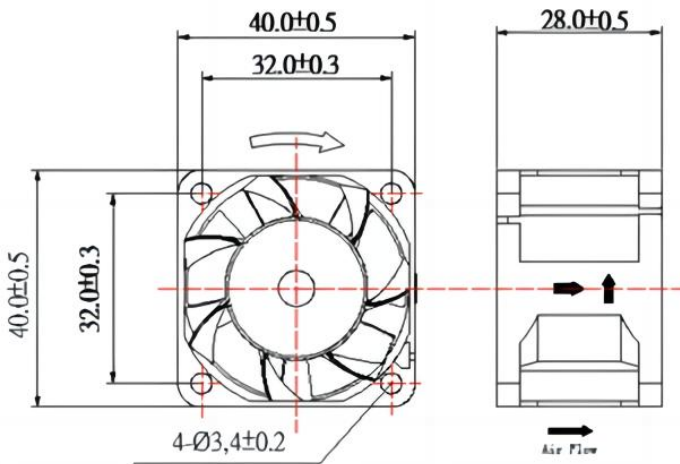


Major Characteristic Parameters

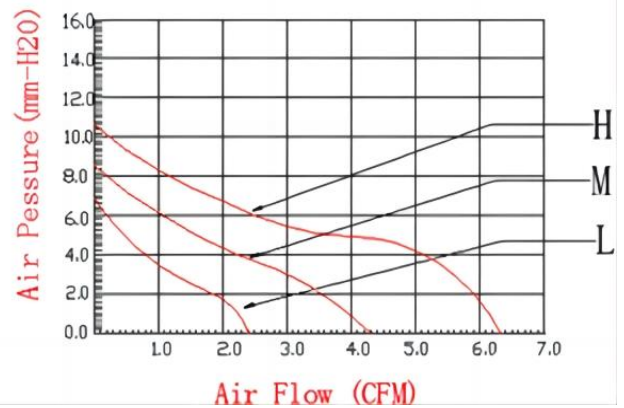


| MODEL | Bearing System | Rated Voltage (V) | Rated Current (A) | Input Power (W) | Speed (RPM) | Max Air Flow (CFM) | Max Static Pressure (mm H2O) | Noise (dBA) | Weight (g) |
|---------------|----------------|-------------------|-------------------|-----------------|-------------|--------------------|------------------------------|-------------|------------|
| FD1240289S(B) | S/B | 12 | 0.70 | 8.40 | 15000 | 27.60 | 53.60 | 58.0 | 40 |
| FD1240287S(B) | S/B | 12 | 0.60 | 7.2 | 14000 | 25.10 | 41.60 | 55.0 | 40 |
| FD1240285S(B) | S/B | 12 | 0.55 | 6.60 | 13000 | 23.80 | 33.70 | 52.0 | 40 |
| FD1240283S(B) | S/B | 12 | 0.35 | 4.20 | 11000 | 18.73 | 23.40 | 48.0 | 40 |
| FD1240281S(B) | S/B | 12 | 0.26 | 3.12 | 9500 | 16.00 | 13.60 | 42.0 | 40 |
| FD2440287S(B) | S/B | 24 | 0.27 | 6.48 | 13000 | 24.00 | 33.70 | 52.0 | 40 |
| FD2440285S(B) | S/B | 24 | 0.20 | 4.80 | 11000 | 18.73 | 23.4 | 48.0 | 40 |
| FD2440283S(B) | S/B | 24 | 0.15 | 3.60 | 9500 | 16.00 | 13.6 | 42.0 | 40 |

* B: Two Ball bearing S: Sleeve Bearing * All reading are typical values at rated voltage
 * Function type optional * Specifications are subject to change without notice



Characteristic Curve





Size:45*45*10mm

General Specifications:

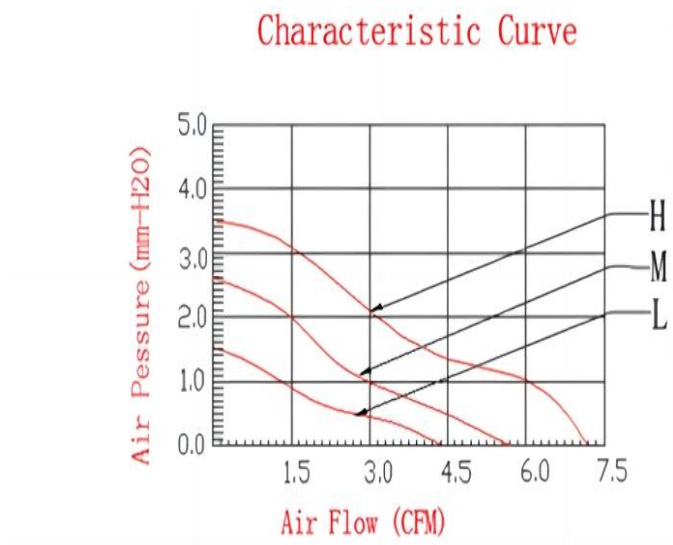
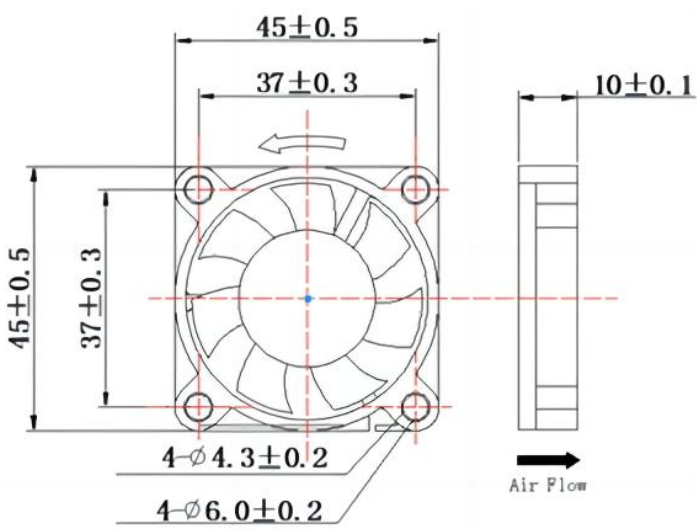
Motor: 4 pole brushless DC motor
 Frame: Thermoplastic PBT+30%GF
 Impeller: Thermoplastic PBT+15%GF
 Bearing: Precision Ball Bearing/Sleeve Bearing
 Storage temperature: -40°C to +75°C
 Operating temperature:-10°C to +70°C



Major Characteristic Parameters

| MODEL | Bearing System | Rated Voltage (V) | Rated Current (A) | Input Power (W) | Speed (RPM) | Max Air Flow (CFM) | Max Static Pressure (mm H2O) | Noise (dBA) | Weight (g) |
|---------------|----------------|-------------------|-------------------|-----------------|-------------|--------------------|------------------------------|-------------|------------|
| FD1245107S(B) | S/B | 12 | 0.15 | 1.80 | 5500 | 8.70 | 2.60 | 28.0 | 17 |
| FD1245105S(B) | S/B | 12 | 0.12 | 1.44 | 4500 | 7.00 | 1.80 | 22.0 | 17 |
| FD1245103S(B) | S/B | 12 | 0.10 | 1.20 | 3800 | 5.80 | 1.40 | 19.0 | 17 |
| FD2445107S(B) | S/B | 24 | 0.10 | 2.40 | 5500 | 8.70 | 6.18 | 30.0 | 17 |
| FD2445105S(B) | S/B | 24 | 0.08 | 1.92 | 4500 | 7.00 | 4.43 | 27.0 | 17 |
| FD2445103S(B) | S/B | 24 | 0.07 | 1.68 | 3800 | 5.80 | 3.14 | 23.0 | 17 |

*** B: Two Ball bearing S: Sleeve Bearing * All reading are typical values at rated voltage
 * Function type optional * Specifications are subject to change without notice**





Size:50*50*10mm

General Specifications:

Motor: 4 pole brushless DC motor
 Frame: Thermoplastic PBT+30%GF
 Impeller: Thermoplastic PBT+15%GF
 Bearing: Precision Ball Bearing/Sleeve Bearing
 Storage temperature: -40°C to +75°C
 Operating temperature:-10°C to +70°C

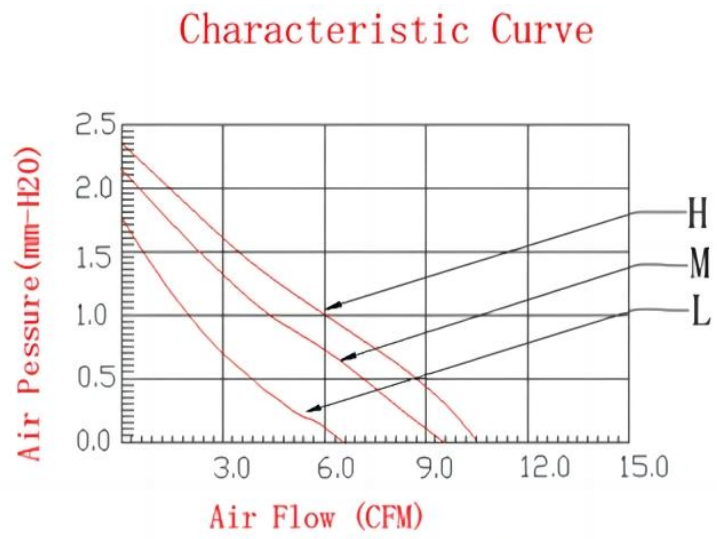
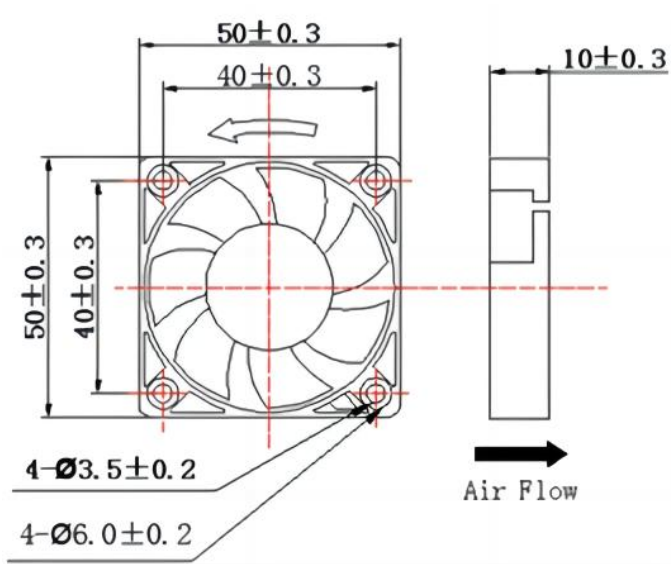


Major Characteristic Parameters



| MODEL | Bearing System | Rated Voltage (V) | Rated Current (A) | Input Power (W) | Speed (RPM) | Max Air Flow (CFM) | Max Static Pressure (mm H2O) | Noise (dBA) | Weight (g) |
|---------------|----------------|-------------------|-------------------|-----------------|-------------|--------------------|------------------------------|-------------|------------|
| FD0550107S(B) | S/B | 5 | 0.17 | 0.85 | 5000 | 11.58 | 4.19 | 28.0 | 20 |
| FD0550105S(B) | S/B | 5 | 0.14 | 0.70 | 4000 | 9.27 | 2.58 | 25.0 | 20 |
| FD1250109S(B) | S/B | 12 | 0.15 | 1.80 | 6600 | 15.30 | 7.02 | 30.0 | 20 |
| FD1250107S(B) | S/B | 12 | 0.15 | 1.80 | 6000 | 13.91 | 5.80 | 30.0 | 20 |
| FD1250105S(B) | S/B | 12 | 0.12 | 1.44 | 5000 | 11.58 | 4.19 | 28.0 | 20 |
| FD1250103S(B) | S/B | 12 | 0.10 | 1.20 | 4000 | 9.27 | 2.58 | 25.0 | 20 |
| FD2450109S(B) | S/B | 24 | 0.20 | 4.80 | 8000 | 18.54 | 10.32 | 42.0 | 20 |
| FD2450107S(B) | S/B | 24 | 0.13 | 3.12 | 7000 | 16.22 | 7.90 | 32.0 | 20 |
| FD2450105S(B) | S/B | 24 | 0.10 | 2.40 | 6000 | 13.91 | 5.80 | 30.0 | 20 |
| FD2450103S(B) | S/B | 24 | 0.08 | 1.92 | 5000 | 11.58 | 4.19 | 28.0 | 20 |

*** B: Two Ball bearing S: Sleeve Bearing * All reading are typical values at rated voltage**
*** Function type optional * Specifications are subject to change without notice**





Size:50*50*15mm

General Specifications:

Motor: 4 pole brushless DC motor
 Frame: Thermoplastic PBT+30%GF
 Impeller: Thermoplastic PBT+15%GF
 Bearing: Precision Ball Bearing/Sleeve Bearing
 Storage temperature: -40°C to +75°C
 Operating temperature:-10°C to +70°C

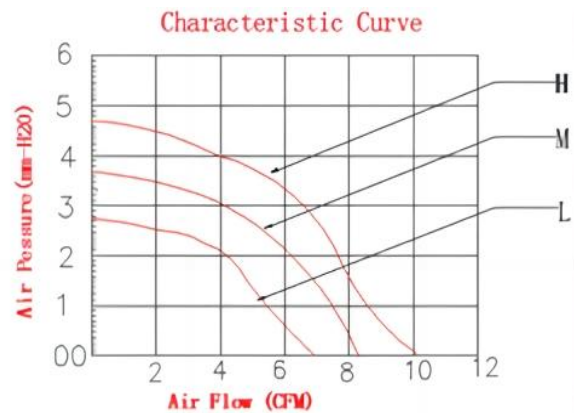
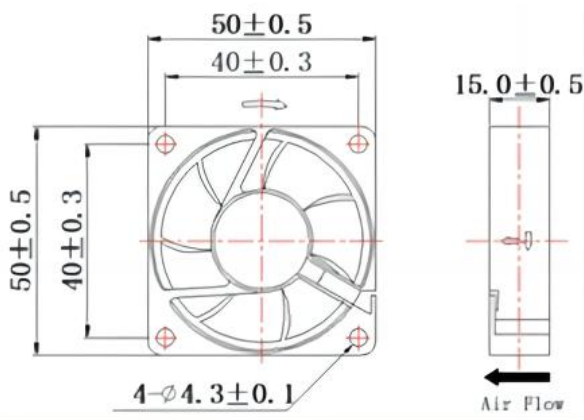


Major Characteristic Parameters



| MODEL | Bearing System | Rated Voltage (V) | Rated Current (A) | Input Power (W) | Speed (RPM) | Max Air Flow (CFM) | Max Static Pressure (mm H2O) | Noise (dBA) | Weight (g) |
|---------------|----------------|-------------------|-------------------|-----------------|-------------|--------------------|------------------------------|-------------|------------|
| FD0550157S(B) | S/B | 5 | 0.25 | 1.25 | 5000 | 14.06 | 3.77 | 29.0 | 25 |
| FD0550155S(B) | S/B | 5 | 0.22 | 1.10 | 4000 | 11.25 | 2.58 | 25.0 | 25 |
| FD0550153S(B) | S/B | 5 | 0.20 | 1.00 | 3500 | 9.27 | 1.96 | 23.0 | 25 |
| FD1250157S(B) | S/B | 12 | 0.22 | 2.64 | 6000 | 16.88 | 5.18 | 32.0 | 25 |
| FD1250155S(B) | S/B | 12 | 0.15 | 1.80 | 5000 | 14.06 | 3.77 | 29.0 | 25 |
| FD1250153S(B) | S/B | 12 | 0.10 | 1.20 | 4000 | 11.25 | 2.58 | 25.0 | 25 |
| FD2450157S(B) | S/B | 24 | 0.17 | 4.08 | 6000 | 16.88 | 5.18 | 32.0 | 25 |
| FD2450155S(B) | S/B | 24 | 0.11 | 2.64 | 5000 | 14.06 | 3.77 | 29.0 | 25 |
| FD2450153S(B) | S/B | 24 | 0.07 | 1.68 | 4000 | 11.25 | 2.58 | 25.0 | 25 |

* B: Two Ball bearing S: Sleeve Bearing * All reading are typical values at rated voltage
 * Function type optional * Specifications are subject to change without notice





Size:50*50*20mm

General Specifications:

Motor: 4 pole brushless DC motor
 Frame: Thermoplastic PBT+30%GF
 Impeller: Thermoplastic PBT+15%GF
 Bearing: Precision Ball Bearing/Sleeve Bearing
 Storage temperature: -40°C to +75°C
 Operating temperature:-10°C to +70°C

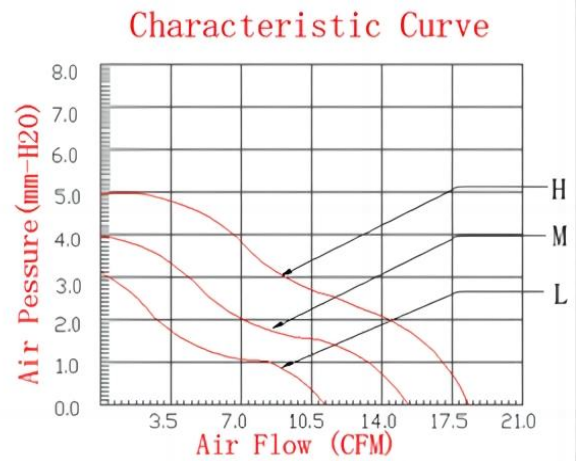
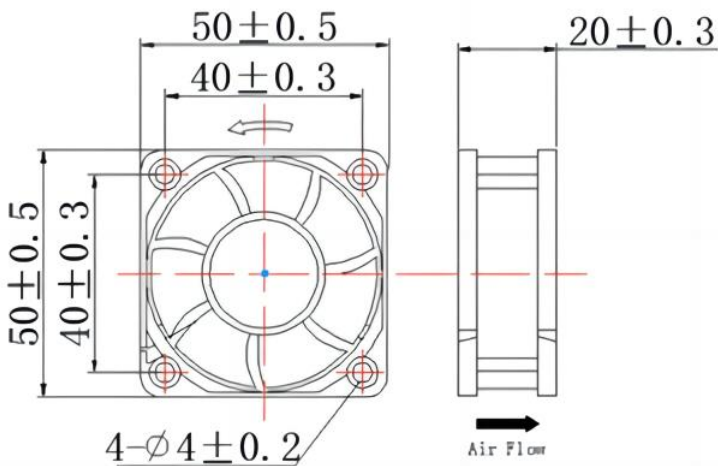


Major Characteristic Parameters



| MODEL | Bearing System | Rated Voltage (V) | Rated Current (A) | Input Power (W) | Speed (RPM) | Max Air Flow (CFM) | Max Static Pressure (mm H2O) | Noise (dBA) | Weight (g) |
|---------------|----------------|-------------------|-------------------|-----------------|-------------|--------------------|------------------------------|-------------|------------|
| FD1250157S(B) | S/B | 12 | 0.22 | 5.28 | 6500 | 17.60 | 6.44 | 36.0 | 26 |
| FD1250155S(B) | S/B | 12 | 0.20 | 2.40 | 5500 | 14.88 | 4.62 | 32.0 | 26 |
| FD1250153S(B) | S/B | 12 | 0.13 | 1.56 | 5000 | 12.70 | 3.48 | 28.0 | 26 |
| FD1250151S(B) | S/B | 12 | 0.10 | 1.20 | 4000 | 10.10 | 2.42 | 24.0 | 26 |
| FD2450209S(B) | S/B | 24 | 0.15 | 3.60 | 7000 | 20.30 | 7.77 | 38.0 | 26 |
| FD2450207S(B) | S/B | 24 | 0.12 | 2.88 | 6500 | 17.60 | 6.44 | 36.0 | 26 |
| FD2450205S(B) | S/B | 24 | 0.10 | 2.40 | 5500 | 14.88 | 4.62 | 32.0 | 26 |
| FD2450203S(B) | S/B | 24 | 0.08 | 1.92 | 5000 | 12.70 | 3.48 | 28.0 | 26 |
| FD2450201S(B) | S/B | 24 | 0.07 | 1.68 | 4000 | 10.10 | 2.42 | 24.0 | 26 |

* B: Two Ball bearing S: Sleeve Bearing * All reading are typical values at rated voltage
 * Function type optional * Specifications are subject to change without notice





Size:60*60*10mm

General Specifications:

Motor: 4 pole brushless DC motor
 Frame: Thermoplastic PBT+30%GF
 Impeller: Thermoplastic PBT+15%GF
 Bearing: Precision Ball Bearing/Sleeve Bearing
 Storage temperature: -40°C to +75°C
 Operating temperature:-10°C to +70°C

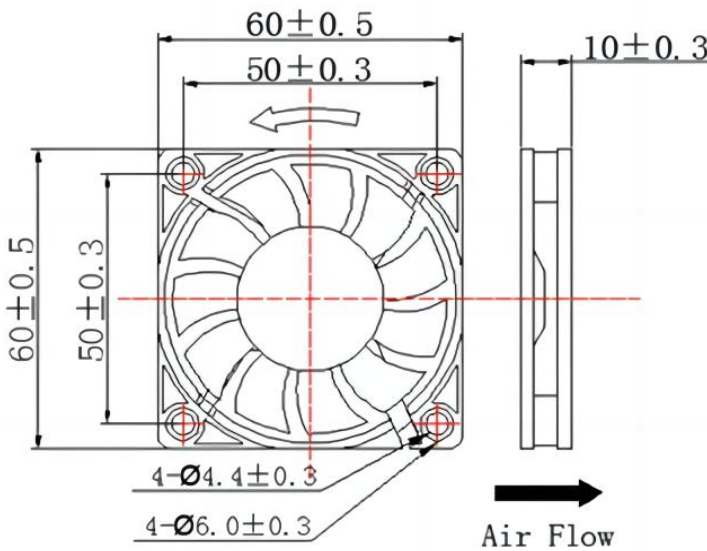


Major Characteristic Parameters

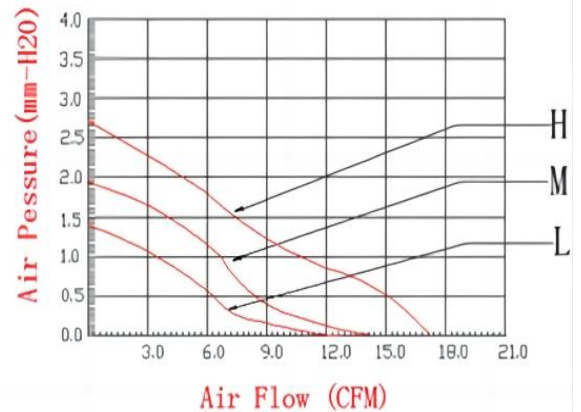


| MODEL | Bearing System | Rated Voltage (V) | Rated Current (A) | Input Power (W) | Speed (RPM) | Max Air Flow (CFM) | Max Static Pressure (mm H2O) | Noise (dBA) | Weight (g) |
|---------------|----------------|-------------------|-------------------|-----------------|-------------|--------------------|------------------------------|-------------|------------|
| FD1260107S(B) | S/B | 12 | 0.22 | 2.64 | 5000 | 20.24 | 3.92 | 33.0 | 25 |
| FD1260105S(B) | S/B | 12 | 0.15 | 1.80 | 4500 | 19.11 | 3.55 | 31.0 | 25 |
| FD1260103S(B) | S/B | 12 | 0.12 | 1.44 | 4000 | 16.81 | 2.82 | 28.0 | 25 |
| FD1260101S(B) | S/B | 12 | 0.10 | 1.20 | 3500 | 13.46 | 2.12 | 25.0 | 25 |
| FD2460107S(B) | S/B | 24 | 0.14 | 3.36 | 5000 | 20.24 | 3.92 | 33.0 | 25 |
| FD2460105S(B) | S/B | 24 | 0.11 | 2.64 | 4500 | 19.11 | 3.55 | 31.0 | 25 |
| FD2460103S(B) | S/B | 24 | 0.09 | 2.16 | 4000 | 16.81 | 2.82 | 28.0 | 25 |
| FD2460101S(B) | S/B | 24 | 0.08 | 1.92 | 3500 | 13.46 | 2.12 | 25.0 | 25 |

*** B: Two Ball bearing S: Sleeve Bearing * All reading are typical values at rated voltage**
*** Function type optional * Specifications are subject to change without notice**



Characteristic Curve





Size:60*60*15mm

General Specifications:

Motor: 4 pole brushless DC motor
 Frame: Thermoplastic PBT+30%GF
 Impeller: Thermoplastic PBT+15%GF
 Bearing: Precision Ball Bearing/Sleeve Bearing
 Storage temperature: -40°C to +75°C
 Operating temperature: -10°C to +70°C

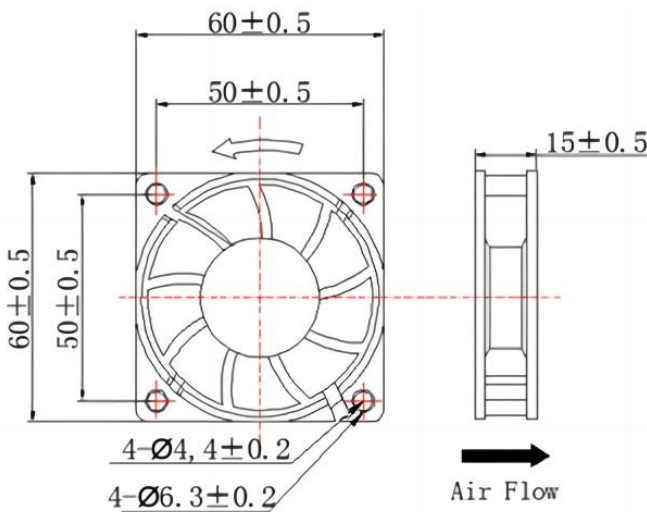


Major Characteristic Parameters

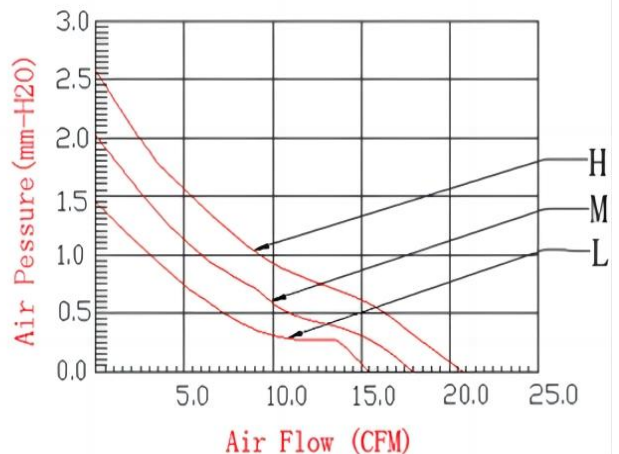


| MODEL | Bearing System | Rated Voltage (V) | Rated Current (A) | Input Power (W) | Speed (RPM) | Max Air Flow (CFM) | Max Static Pressure (mm H2O) | Noise (dBA) | Weight (g) |
|---------------|----------------|-------------------|-------------------|-----------------|-------------|--------------------|------------------------------|-------------|------------|
| FD0560157S(B) | S/B | 5 | 0.22 | 2.64 | 3500 | 16.91 | 2.71 | 28.0 | 35 |
| FD0560153S(B) | S/B | 5 | 0.15 | 1.80 | 2500 | 12.11 | 1.38 | 22.0 | 35 |
| FD1260157S(B) | S/B | 12 | 0.16 | 1.92 | 4000 | 19.37 | 3.54 | 31.0 | 35 |
| FD1260155S(B) | S/B | 12 | 0.13 | 1.56 | 3500 | 16.91 | 2.71 | 28.0 | 35 |
| FD1260153S(B) | S/B | 12 | 0.10 | 1.20 | 3000 | 14.56 | 1.99 | 25.0 | 35 |
| FD2460157S(B) | S/B | 24 | 0.12 | 2.88 | 4000 | 19.37 | 3.54 | 31.0 | 35 |
| FD2460155S(B) | S/B | 24 | 0.09 | 2.16 | 3500 | 16.91 | 2.71 | 28.0 | 35 |
| FD2460153S(B) | S/B | 24 | 0.06 | 1.44 | 3000 | 14.56 | 1.99 | 25.0 | 35 |

* B: Two Ball bearing S: Sleeve Bearing * All reading are typical values at rated voltage
 * Function type optional * Specifications are subject to change without notice



Characteristic Curve





Size:60*60*20mm

General Specifications:

Motor: 4 pole brushless DC motor
 Frame: Thermoplastic PBT+30%GF
 Impeller: Thermoplastic PBT+15%GF
 Bearing: Precision Ball Bearing/Sleeve Bearing
 Storage temperature: -40°C to +75°C
 Operating temperature: -10°C to +70°C

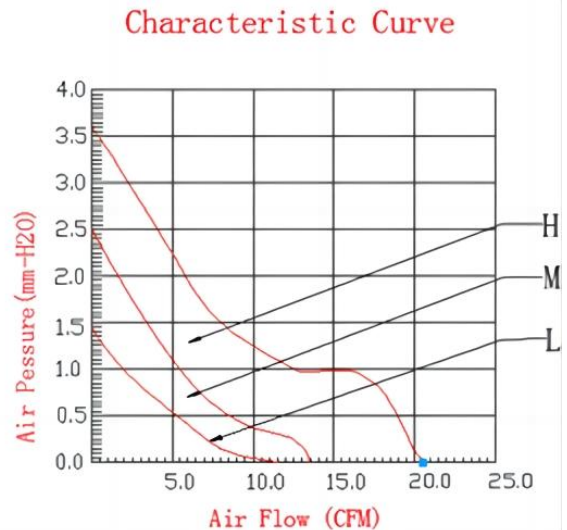
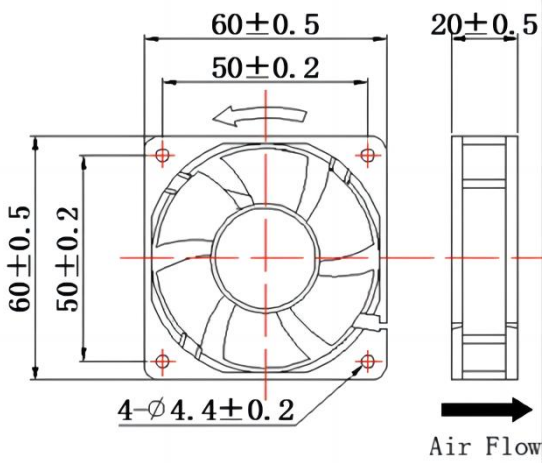


Major Characteristic Parameters



| MODEL | Bearing System | Rated Voltage (V) | Rated Current (A) | Input Power (W) | Speed (RPM) | Max Air Flow (CFM) | Max Static Pressure (mm H2O) | Noise (dBA) | Weight (g) |
|---------------|----------------|-------------------|-------------------|-----------------|-------------|--------------------|------------------------------|-------------|------------|
| FD1260207S(B) | S/B | 12 | 0.20 | 2.40 | 4500 | 20.22 | 5.56 | 34.0 | 55 |
| FD1260205S(B) | S/B | 12 | 0.15 | 1.80 | 4000 | 19.55 | 4.46 | 32.0 | 55 |
| FD1260203S(B) | S/B | 12 | 0.12 | 1.44 | 3500 | 16.99 | 3.48 | 28.0 | 55 |
| FD1260201S(B) | S/B | 12 | 0.10 | 1.20 | 3000 | 14.08 | 2.58 | 25.0 | 55 |
| FD2460207S(B) | S/B | 24 | 0.14 | 3.36 | 4500 | 20.22 | 5.56 | 34.0 | 55 |
| FD2460205S(B) | S/B | 24 | 0.11 | 2.64 | 4000 | 19.55 | 4.46 | 32.0 | 55 |
| FD2460203S(B) | S/B | 24 | 0.08 | 1.92 | 3500 | 16.99 | 3.48 | 28.0 | 55 |
| FD2460201S(B) | S/B | 24 | 0.05 | 1.20 | 3000 | 14.08 | 2.58 | 25.0 | 55 |

*** B: Two Ball bearing S: Sleeve Bearing * All reading are typical values at rated voltage**
*** Function type optional * Specifications are subject to change without notice**





Size: 60*60*25mm

General Specifications:

Motor: 4 pole brushless DC motor
 Frame: Thermoplastic PBT+30%GF
 Impeller: Thermoplastic PBT+15%GF
 Bearing: Precision Ball Bearing/Sleeve Bearing
 Storage temperature: -40°C to +75°C
 Operating temperature: -10°C to +70°C

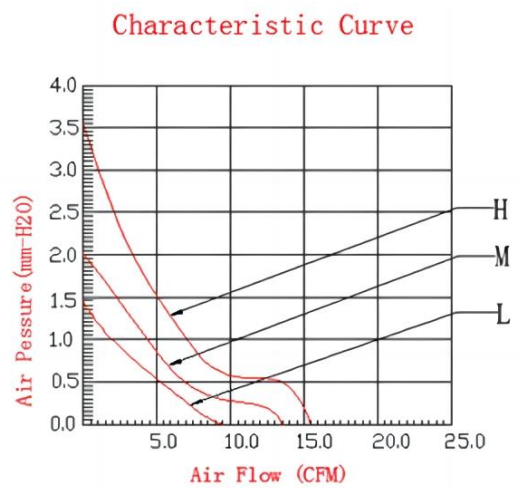
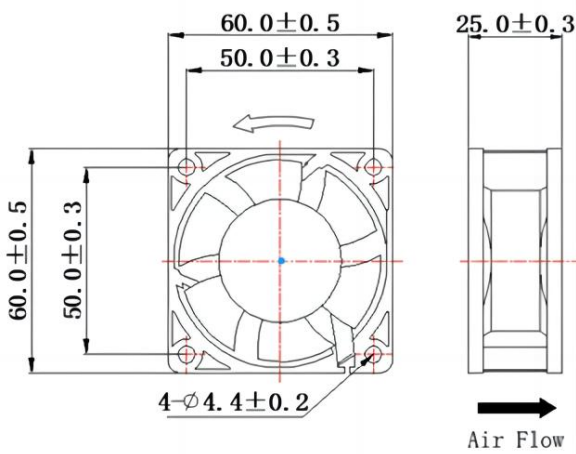


Major Characteristic Parameters



| MODEL | Bearing System | Rated Voltage (V) | Rated Current (A) | Input Power (W) | Speed (RPM) | Max Air Flow (CFM) | Max Static Pressure (mm H2O) | Noise (dBA) | Weight (g) |
|---------------|----------------|-------------------|-------------------|-----------------|-------------|--------------------|------------------------------|-------------|------------|
| FD0560257S(B) | S/B | 5 | 0.45 | 2.25 | 3500 | 16.51 | 3.25 | 25.0 | 57 |
| FD1260257S(B) | S/B | 12 | 0.23 | 2.76 | 5000 | 23.66 | 6.23 | 33.0 | 57 |
| FD1260255S(B) | S/B | 12 | 0.15 | 1.80 | 4500 | 21.27 | 5.16 | 31.0 | 57 |
| FD1260253S(B) | S/B | 12 | 0.12 | 1.44 | 4000 | 19.04 | 4.19 | 28.0 | 57 |
| FD2460257S(B) | S/B | 24 | 0.14 | 3.36 | 5000 | 23.66 | 6.23 | 33.0 | 57 |
| FD2460255S(B) | S/B | 24 | 0.12 | 2.88 | 4500 | 21.27 | 5.16 | 31.0 | 57 |
| FD2460253S(B) | S/B | 24 | 0.08 | 1.92 | 4000 | 19.44 | 4.19 | 28.0 | 57 |
| FD4860257S(B) | S/B | 48 | 0.09 | 4.32 | 5000 | 23.66 | 6.23 | 33.0 | 57 |
| FD4860255S(B) | S/B | 48 | 0.07 | 3.36 | 4500 | 21.27 | 5.16 | 31.0 | 57 |
| FD4860253S(B) | S/B | 48 | 0.06 | 2.88 | 4000 | 19.04 | 4.19 | 28.0 | 57 |

* B: Two Ball bearing S: Sleeve Bearing * All reading are typical values at rated voltage
 * Function type optional * Specifications are subject to change without notice





Size: 60*60*38mm

General Specifications:

- Motor: 4 pole brushless DC motor
- Frame: Thermoplastic PBT+30%GF
- Impeller: Thermoplastic PBT+15%GF
- Bearing: Precision Ball Bearing/Sleeve Bearing
- Storage temperature: -40°C to +75°C
- Operating temperature: -10°C to +70°C

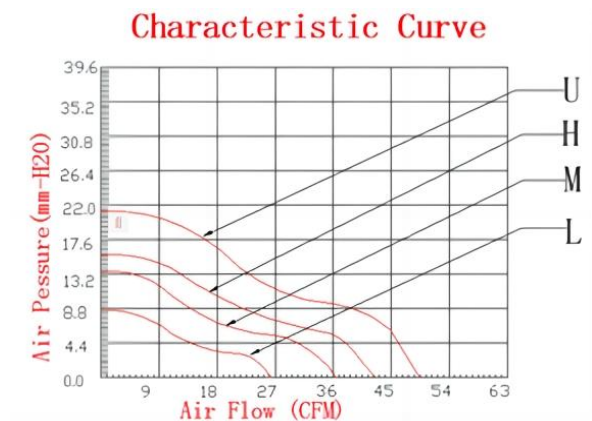
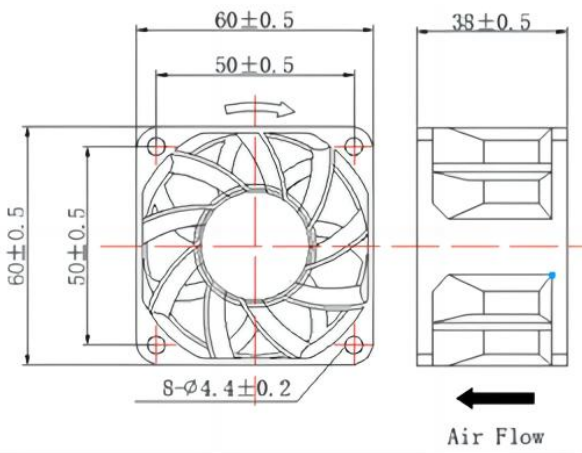


Major Characteristic Parameters



| Model 型号 | Bearing Type 轴承类型 | Rated Voltage 额定电压 VDC | Current 电流 A | Speed 转速 RPM | AirFlow 风量 CFM | Pressure 风压 mmH ₂ O | Noise 噪音 dBA | Weight 重量 g |
|--------------|----------------------|------------------------------|--------------------|--------------------|----------------------|--------------------------------------|--------------------|-------------------|
| FD2460389S/B | Sleeve/Ball | 24 | 0.5 | 10000 | 49.83 | 21.3 | 57 | 106 |
| FD2460387S/B | | | 0.37 | 9000 | 43.51 | 16.4 | 53.9 | |
| FD2460385S/B | | | 0.3 | 8000 | 36.72 | 12.5 | 49.3 | |
| FD2460383S/B | | | 0.2 | 7000 | 30.58 | 8.77 | 44.4 | |
| FD1260389S/B | Sleeve/Ball | 12 | 1 | 10000 | 49.83 | 21.3 | 57 | |
| FD1260387S/B | | | 0.65 | 9000 | 43.51 | 16.4 | 53.9 | |
| FD1260385S/B | | | 0.6 | 8000 | 36.72 | 12.5 | 49.3 | |
| FD1260383S/B | | | 0.4 | 7000 | 30.58 | 8.77 | 44.4 | |

* B: Two Ball bearing S: Sleeve Bearing * All reading are typical values at rated voltage
 * Function type optional * Specifications are subject to change without notice





Size: 70*70*10mm

General Specifications:

- Motor: 4 pole brushless DC motor
- Frame: Thermoplastic PBT+30%GF
- Impeller: Thermoplastic PBT+15%GF
- Bearing: Precision Ball Bearing/Sleeve Bearing
- Storage temperature: -40°C to +75°C
- Operating temperature: -10°C to +70°C

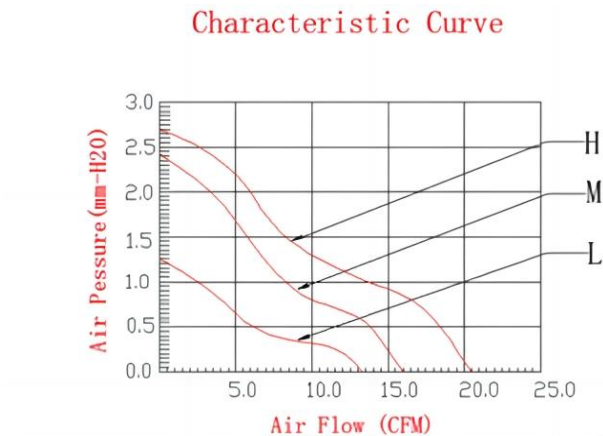
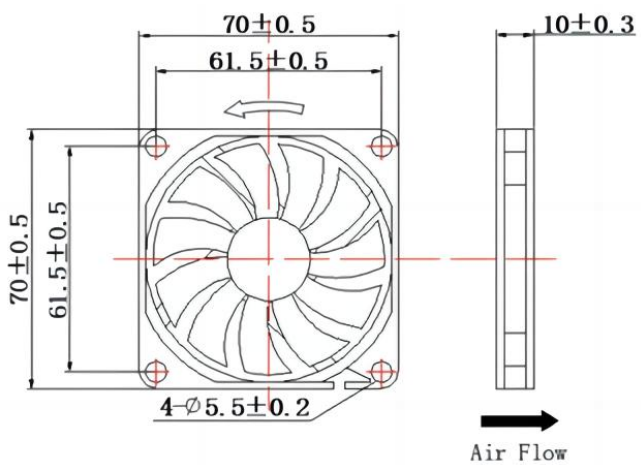


Major Characteristic Parameters



| Model 型号 | Bearing Type 轴承类型 | Rated Voltage 额定电压 | Current 电流 | Speed 转速 | Air flow 风量 | Pressure 风压 | Noise 噪音 | Weight 重量 |
|--------------|----------------------|-----------------------|---------------|-------------|----------------|----------------|-------------|--------------|
| | | VDC | A | RPM | CFM | mmH2O | dBA | g |
| FD2470107S/B | Sleeve/Ball | 24 | 0.11 | 3500 | 19.13 | 2.65 | 32.6 | 27 |
| FD2470105S/B | | | 0.09 | 3000 | 16.39 | 2.48 | 27.9 | |
| FD2470103S/B | | | 0.07 | 2500 | 13.31 | 1.28 | 23.9 | |
| FD1270107S/B | Sleeve/Ball | 12 | 0.2 | 3500 | 19.13 | 2.65 | 32.6 | |
| FD1270105S/B | | | 0.14 | 3000 | 16.39 | 2.48 | 27.9 | |
| FD1270103S/B | | | 0.1 | 2500 | 13.31 | 1.28 | 23.9 | |

* B: Two Ball bearing S: Sleeve Bearing * All reading are typical values at rated voltage
 * Function type optional * Specifications are subject to change without notice





Size:70*70*15mm

General Specifications:

Motor: 4 pole brushless DC motor
 Frame: Thermoplastic PBT+30%GF
 Impeller: Thermoplastic PBT+15%GF
 Bearing: Precision Ball Bearing/Sleeve Bearing
 Storage temperature: -40°C to +75°C
 Operating temperature:-10°C to +70°C

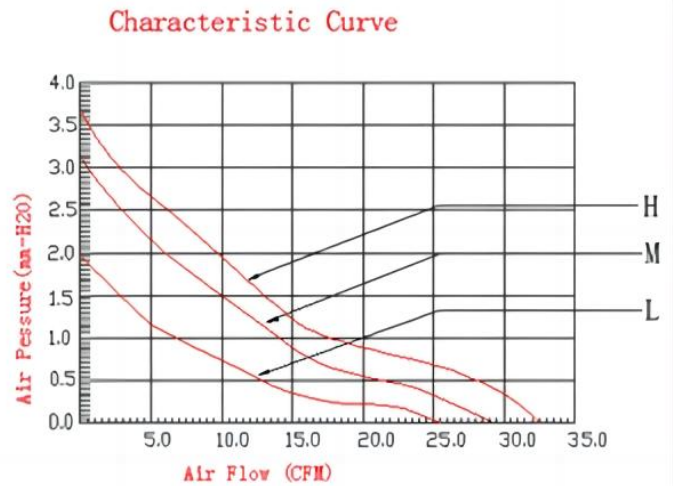
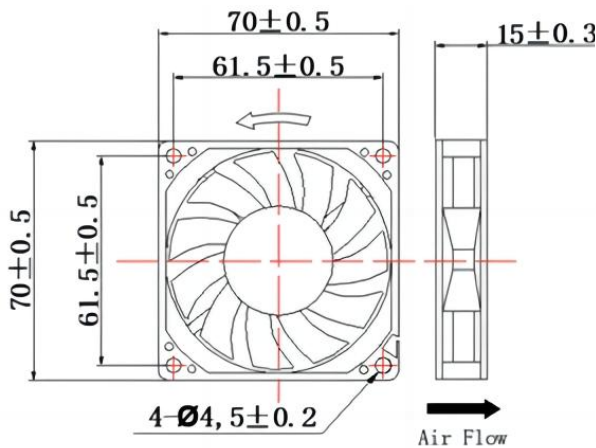


Major Characteristic Parameters



| MODEL | Bearing System | Rated Voltage (V) | Rated Current (A) | Input Power (W) | Speed (RPM) | Max Air Flow (CFM) | Max Static Pressure (mm H2O) | Noise (dBA) | Weight (g) |
|---------------|----------------|-------------------|-------------------|-----------------|-------------|--------------------|------------------------------|-------------|------------|
| FD1270157S(B) | S/B | 12 | 0.22 | 2.64 | 4500 | 32.42 | 5.61 | 33.0 | 50 |
| FD1270155S(B) | S/B | 12 | 0.16 | 1.92 | 3700 | 26.62 | 3.79 | 30.0 | 50 |
| FD1270153S(B) | S/B | 12 | 0.12 | 1.44 | 3000 | 21.60 | 2.49 | 27.0 | 50 |
| FD1270151S(B) | S/B | 12 | 0.10 | 1.20 | 2500 | 18.10 | 1.73 | 24.0 | 50 |
| FD2470157S(B) | S/B | 24 | 0.15 | 3.60 | 4500 | 32.42 | 5.61 | 33.0 | 50 |
| FD2470155S(B) | S/B | 24 | 0.10 | 2.40 | 3700 | 26.62 | 3.79 | 30.0 | 50 |
| FD2470153S(B) | S/B | 24 | 0.07 | 1.68 | 3000 | 21.60 | 2.49 | 27.0 | 50 |
| FD2470151S(B) | S/B | 24 | 0.05 | 1.20 | 2500 | 18.10 | 1.73 | 24.0 | 50 |

*** B: Two Ball bearing S: Sleeve Bearing * All reading are typical values at rated voltage**
*** Function type optional * Specifications are subject to change without notice**





Size:70*70*25mm

General Specifications:

Motor: 4 pole brushless DC motor
 Frame: Thermoplastic PBT+30%GF
 Impeller: Thermoplastic PBT+15%GF
 Bearing: Precision Ball Bearing/Sleeve Bearing
 Storage temperature: -40°C to +75°C
 Operating temperature:-10°C to +70°C

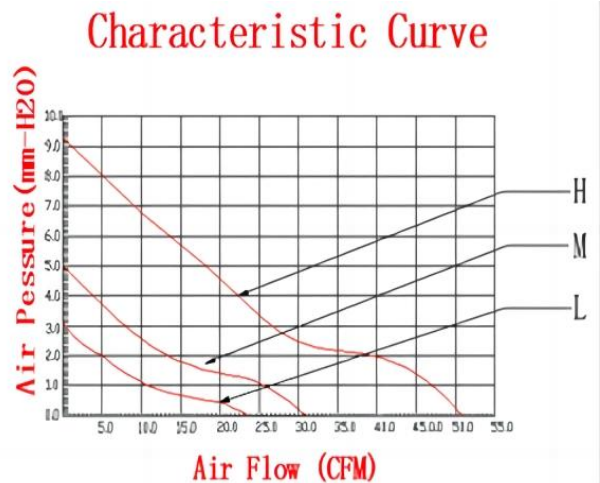
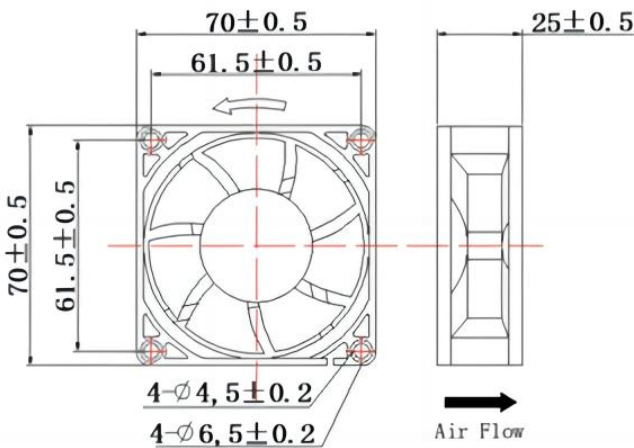


Major Characteristic Parameters



| MODEL | Bearing System | Rated Voltage (V) | Rated Current (A) | Input Power (W) | Speed (RPM) | Max Air Flow (CFM) | Max Static Pressure (mm H2O) | Noise (dBA) | Weight (g) |
|---------------|----------------|-------------------|-------------------|-----------------|-------------|--------------------|------------------------------|-------------|------------|
| FD1270257S(B) | S/B | 12 | 0.30 | 3.60 | 4200 | 34.24 | 5.09 | 35.0 | 70 |
| FD1270255S(B) | S/B | 12 | 0.25 | 3.00 | 3700 | 30.34 | 4.10 | 32.0 | 70 |
| FD1270253S(B) | S/B | 12 | 0.17 | 2.04 | 3200 | 25.98 | 3.08 | 28.0 | 70 |
| FD1270251S(B) | S/B | 12 | 0.12 | 1.44 | 2700 | 21.78 | 2.21 | 24.0 | 70 |
| FD2470257S(B) | S/B | 24 | 0.15 | 3.60 | 4200 | 34.24 | 5.09 | 35.0 | 70 |
| FD2470255S(B) | S/B | 24 | 0.12 | 2.88 | 3700 | 30.34 | 4.10 | 32.0 | 70 |
| FD2470253S(B) | S/B | 24 | 0.10 | 2.40 | 3200 | 25.98 | 3.08 | 28.0 | 70 |
| FD2470251S(B) | S/B | 24 | 0.05 | 1.20 | 2700 | 21.78 | 2.21 | 24.0 | 70 |

*** B: Two Ball bearing S: Sleeve Bearing * All reading are typical values at rated voltage**
*** Function type optional * Specifications are subject to change without notice**





Size:80*80*10mm

General Specifications:

Motor: 4 pole brushless DC motor
 Frame: Thermoplastic PBT+30%GF
 Impeller: Thermoplastic PBT+15%GF
 Bearing: Precision Ball Bearing/Sleeve Bearing
 Storage temperature: -40°C to +75°C
 Operating temperature: -10°C to +70°C

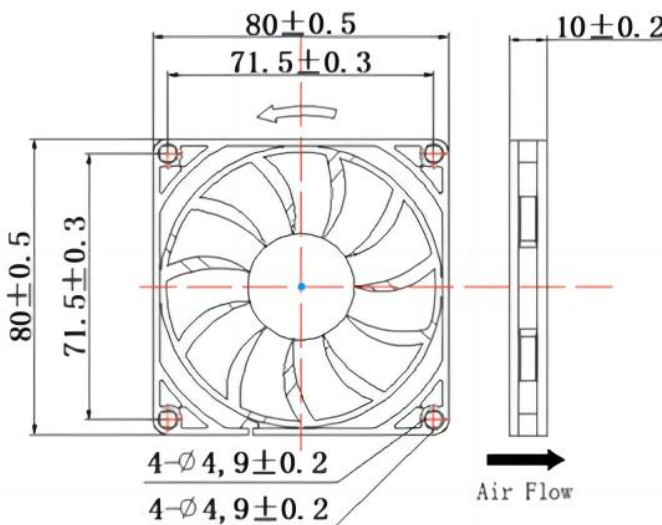


Major Characteristic Parameter

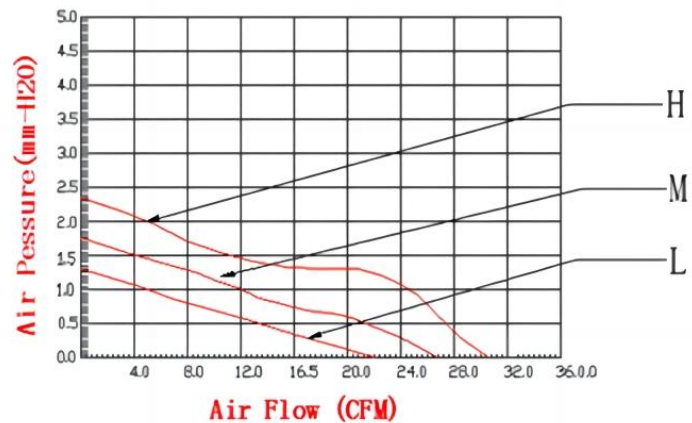


| MODEL | Bearing System | Rated Voltage (V) | Rated Current (A) | Input Power (W) | Speed (RPM) | Max Air Flow (CFM) | Max Static Pressure (mm H2O) | Noise (dBA) | Weight (g) |
|---------------|----------------|-------------------|-------------------|-----------------|-------------|--------------------|------------------------------|-------------|------------|
| FD1280107S(B) | S/B | 12 | 0.30 | 3.60 | 4000 | 29.32 | 2.99 | 35.0 | 40 |
| FD1280105S(B) | S/B | 12 | 0.26 | 3.12 | 3500 | 21.69 | 1.73 | 33.0 | 40 |
| FD1280103S(B) | S/B | 12 | 0.18 | 2.16 | 3000 | 17.70 | 1.18 | 28.0 | 40 |
| FD1280101S(B) | S/B | 12 | 0.10 | 1.20 | 2500 | 13.61 | 0.74 | 24.0 | 40 |
| FD0580107S(B) | S/B | 5 | 0.45 | 2.25 | 3500 | 25.07 | 2.30 | 33.0 | 40 |
| FD0580105S(B) | S/B | 5 | 0.35 | 1.75 | 3000 | 21.69 | 1.73 | 28.0 | 40 |
| FD0580103S(B) | S/B | 5 | 0.25 | 1.25 | 2500 | 17.70 | 1.18 | 23.0 | 40 |
| FD0580101S(B) | S/B | 5 | 0.15 | 0.75 | 2000 | 13.61 | 0.74 | 20.0 | 40 |

* B: Two Ball bearing S: Sleeve Bearing * All reading are typical values at rated voltage
 * Function type optional * Specifications are subject to change without notice



Characteristic Curve





Size:80*80*15mm

General Specifications:

Motor: 4 pole brushless DC motor
 Frame: Thermoplastic PBT+30%GF
 Impeller: Thermoplastic PBT+15%GF
 Bearing: Precision Ball Bearing/Sleeve Bearing
 Storage temperature: -40°C to +75°C
 Operating temperature: -10°C to +70°C

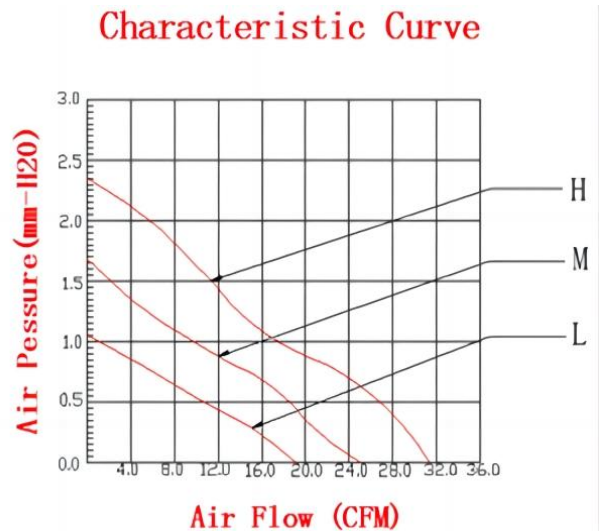
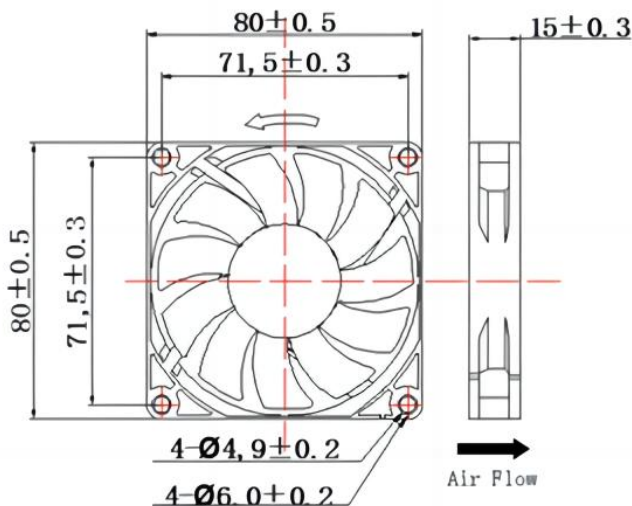


Major Characteristic Parameters



| MODEL | Bearing System | Rated Voltage (V) | Rated Current (A) | Input Power (W) | Speed (RPM) | Max Air Flow (CFM) | Max Static Pressure (mm H2O) | Noise (dBA) | Weight (g) |
|---------------|----------------|-------------------|-------------------|-----------------|-------------|--------------------|------------------------------|-------------|------------|
| FD0580157S(B) | S/B | 5 | 0.25 | 1.25 | 3000 | 33.60 | 3.20 | 31.0 | 54 |
| FD0580155S(B) | S/B | 5 | 0.20 | 1.00 | 2500 | 25.03 | 2.21 | 27.0 | 54 |
| FD1280157S(B) | S/B | 12 | 0.28 | 3.36 | 3500 | 39.05 | 4.10 | 35.0 | 54 |
| FD1280155S(B) | S/B | 12 | 0.16 | 1.92 | 3000 | 33.60 | 3.20 | 31.0 | 54 |
| FD1280153S(B) | S/B | 12 | 0.12 | 1.44 | 2500 | 26.03 | 2.21 | 27.0 | 54 |
| FD1280151S(B) | S/B | 12 | 0.10 | 1.20 | 2000 | 20.82 | 1.41 | 24.0 | 54 |
| FD2480157S(B) | S/B | 24 | 0.15 | 3.60 | 3500 | 39.05 | 4.10 | 35.0 | 54 |
| FD2480155S(B) | S/B | 24 | 0.10 | 2.40 | 3000 | 33.60 | 3.20 | 31.0 | 54 |
| FD2480153S(B) | S/B | 24 | 0.07 | 1.68 | 2500 | 26.03 | 2.21 | 27.0 | 54 |
| FD2480151S(B) | S/B | 24 | 0.05 | 1.20 | 2000 | 20.82 | 1.41 | 24.0 | 54 |

*** B: Two Ball bearing S: Sleeve Bearing * All reading are typical values at rated voltage**
*** Function type optional * Specifications are subject to change without notice**





Size:80*80*20mm

General Specifications:

Motor: 4 pole brushless DC motor
 Frame: Thermoplastic PBT+30%GF
 Impeller: Thermoplastic PBT+15%GF
 Bearing: Precision Ball Bearing/Sleeve Bearing
 Storage temperature: -40°C to +75°C
 Operating temperature:-10°C to +70°C

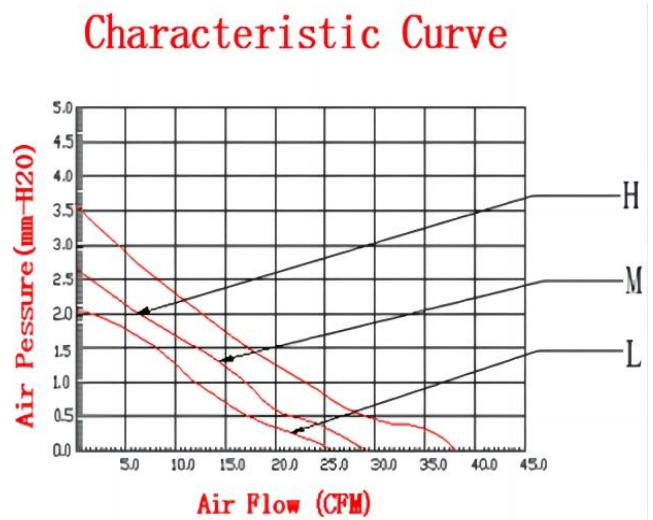
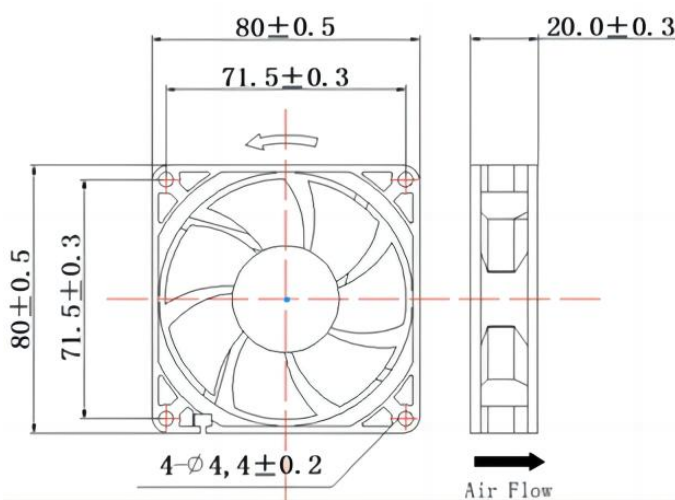


Major Characteristic Parameters



| MODEL | Bearing System | Rated Voltage (V) | Rated Current (A) | Input Power (W) | Speed (RPM) | Max Air Flow (CFM) | Max Static Pressure (mm H2O) | Noise (dBA) | Weight (g) |
|---------------|----------------|-------------------|-------------------|-----------------|-------------|--------------------|------------------------------|-------------|------------|
| FD1280207S(B) | S/B | 12 | 0.25 | 3.00 | 3500 | 36.37 | 3.84 | 34.0 | 75 |
| FD1280205S(B) | S/B | 12 | 0.18 | 2.16 | 3000 | 31.53 | 3.03 | 31.0 | 75 |
| FD1280203S(B) | S/B | 12 | 0.12 | 1.44 | 2500 | 25.87 | 2.17 | 27.0 | 75 |
| FD1280201S(B) | S/B | 12 | 0.08 | 0.96 | 2000 | 20.42 | 1.42 | 22.0 | 75 |
| FD2480207S(B) | S/B | 24 | 0.15 | 3.60 | 3500 | 36.37 | 3.84 | 34.0 | 75 |
| FD2480205S(B) | S/B | 24 | 0.10 | 2.40 | 3000 | 31.53 | 3.03 | 31.0 | 75 |
| FD2480203S(B) | S/B | 24 | 0.08 | 1.92 | 2500 | 25.87 | 2.17 | 27.0 | 75 |
| FD2480201S(B) | S/B | 24 | 0.06 | 1.44 | 2000 | 20.42 | 1.42 | 22.0 | 75 |

* B: Two Ball bearing S: Sleeve Bearing * All reading are typical values at rated voltage
 * Function type optional * Specifications are subject to change without notice





Size: 80*80*25mm

General Specifications:

Motor: 4 pole brushless DC motor
 Frame: Thermoplastic PBT+30%GF
 Impeller: Thermoplastic PBT+15%GF
 Bearing: Precision Ball Bearing/Sleeve Bearing
 Storage temperature: -40°C to +75°C
 Operating temperature: -10°C to +70°C

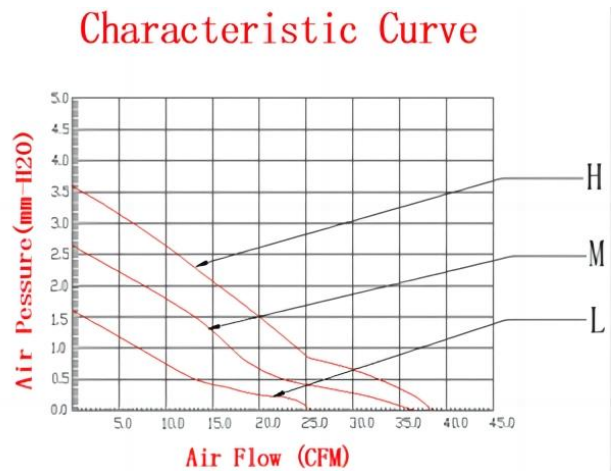
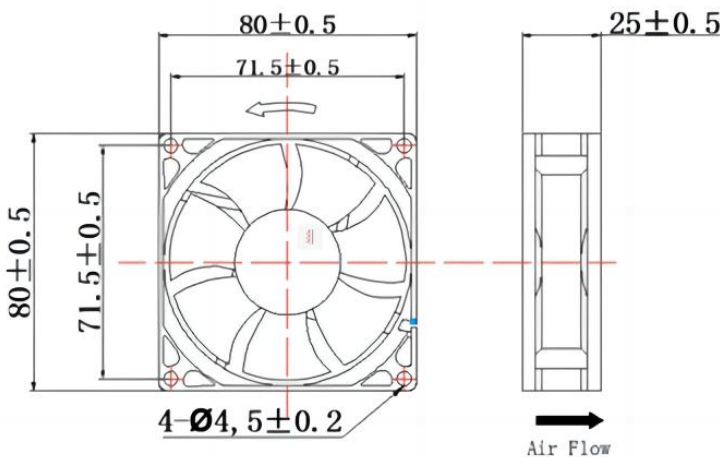


Major Characteristic Parameters



| MODEL | Bearing System | Rated Voltage (V) | Rated Current (A) | Input Power (W) | Speed (RPM) | Max Air Flow (CFM) | Max Static Pressure (mm H2O) | Noise (dBA) | Weight (g) |
|---------------|----------------|-------------------|-------------------|-----------------|-------------|--------------------|------------------------------|-------------|------------|
| FD0580257S(B) | S/B | 5 | 0.45 | 2.25 | 3000 | 36.99 | 3.56 | 31.0 | 70 |
| FD1280257S(B) | S/B | 12 | 0.21 | 2.52 | 3500 | 43.15 | 4.67 | 35.0 | 70 |
| FD1280255S(B) | S/B | 12 | 0.16 | 1.92 | 3000 | 36.99 | 3.56 | 31.0 | 70 |
| FD1280253S(B) | S/B | 12 | 0.12 | 1.44 | 2500 | 30.61 | 2.54 | 26.0 | 70 |
| FD1280251S(B) | S/B | 12 | 0.08 | 0.96 | 2000 | 23.98 | 1.66 | 21.0 | 70 |
| FD2480257S(B) | S/B | 24 | 0.14 | 3.36 | 3500 | 43.15 | 4.67 | 35.0 | 70 |
| FD2480255S(B) | S/B | 24 | 0.12 | 2.88 | 3000 | 36.99 | 3.56 | 31.0 | 70 |
| FD2480253S(B) | S/B | 24 | 0.08 | 1.92 | 2500 | 30.61 | 2.54 | 26.0 | 70 |
| FD2480251S(B) | S/B | 24 | 0.05 | 1.20 | 2000 | 23.98 | 1.66 | 21.0 | 70 |
| FD4880257S(B) | S/B | 48 | 0.10 | 4.80 | 3500 | 43.15 | 4.67 | 35.0 | 70 |
| FD4880255S(B) | S/B | 48 | 0.07 | 3.36 | 3000 | 36.99 | 3.56 | 31.0 | 70 |
| FD4880253S(B) | S/B | 48 | 0.05 | 2.40 | 2500 | 30.61 | 2.54 | 26.0 | 70 |

* B: Two Ball bearing S: Sleeve Bearing * All reading are typical values at rated voltage
 * Function type optional * Specifications are subject to change without notice





Size: 80*80*38mm

General Specifications:

Motor: 4 pole brushless DC motor
 Frame: Thermoplastic PBT+30%GF
 Impeller: Thermoplastic PBT+15%GF
 Bearing: Precision Ball Bearing/Sleeve Bearing
 Storage temperature: -40°C to +75°C
 Operating temperature: -10°C to +70°C

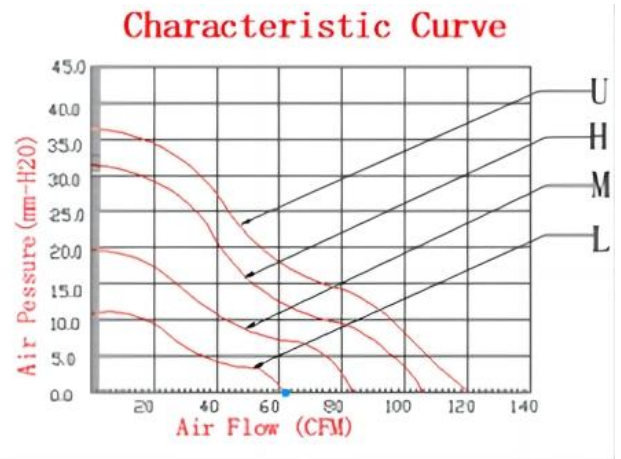
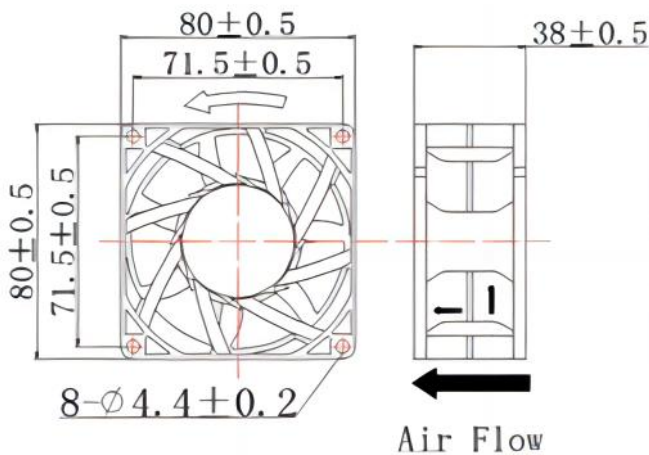


Major Characteristic Parameters



| MODEL | Bearing System | Rated Voltage (V) | Rated Current (A) | Input Power (W) | Speed (RPM) | Max Air Flow (CFM) | Max Static Pressure (mm H2O) | Noise (dBA) | Weight (g) |
|---------------|----------------|-------------------|-------------------|-----------------|-------------|--------------------|------------------------------|-------------|------------|
| FD1280389S(B) | S/B | 12 | 0.75 | 9.00 | 6000 | 91.04 | 19.09 | 58.0 | 195 |
| FD1280387S(B) | S/B | 12 | 0.65 | 7.80 | 5000 | 74.30 | 12.80 | 53.0 | 195 |
| FD1280385S(B) | S/B | 12 | 0.48 | 5.76 | 4000 | 60.70 | 8.30 | 48.0 | 195 |
| FD1280383S(B) | S/B | 12 | 0.25 | 3.00 | 3000 | 45.50 | 4.80 | 40.0 | 195 |
| FD1280381S(B) | S/B | 12 | 0.12 | 1.44 | 2500 | 34.90 | 2.82 | 33.0 | 195 |
| FD2480387S(B) | S/B | 24 | 0.60 | 14.40 | 7000 | 104.80 | 26.20 | 62.0 | 195 |
| FD2480385S(B) | S/B | 24 | 0.40 | 9.60 | 6000 | 91.04 | 19.09 | 58.0 | 195 |
| FD2480383S(B) | S/B | 24 | 0.35 | 8.40 | 5000 | 74.30 | 12.80 | 53.0 | 195 |
| FD4880389S(B) | S/B | 48 | 0.40 | 19.20 | 8000 | 121.39 | 34.12 | 66.0 | 195 |
| FD4880387S(B) | S/B | 48 | 0.30 | 14.40 | 7000 | 104.80 | 26.20 | 62.0 | 195 |
| FD4880385S(B) | S/B | 48 | 0.20 | 9.60 | 6000 | 91.04 | 19.09 | 58.0 | 195 |
| FD4880383S(B) | S/B | 48 | 0.15 | 7.20 | 5000 | 74.30 | 12.80 | 53.0 | 195 |

* B: Two Ball bearing S: Sleeve Bearing * All reading are typical values at rated voltage
 * Function type optional * Specifications are subject to change without notice





Size:92*92*25mm

General Specifications:

Motor: 4 pole brushless DC motor
 Frame: Thermoplastic PBT+30%GF
 Impeller: Thermoplastic PBT+15%GF
 Bearing: Precision Ball Bearing/Sleeve Bearing
 Storage temperature: -40°C to +75°C
 Operating temperature:-10°C to +70°C

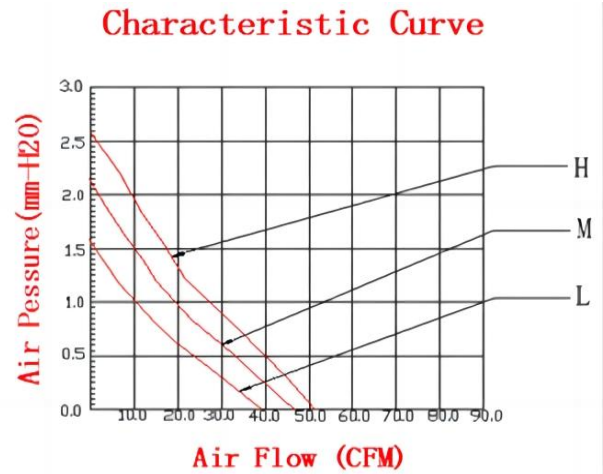
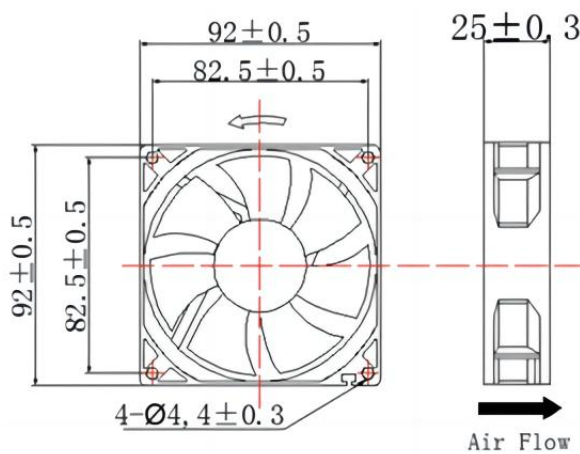


Major Characteristic Parameters



| MODEL | Bearing System | Rated Voltage (V) | Rated Current (A) | Input Power (W) | Speed (RPM) | Max Air Flow (CFM) | Max Static Pressure (mm H2O) | Noise (dBA) | Weight (g) |
|---------------|----------------|-------------------|-------------------|-----------------|-------------|--------------------|------------------------------|-------------|------------|
| FD1292257S(B) | S/B | 12 | 0.28 | 3.36 | 3200 | 59.52 | 4.23 | 36.0 | 79 |
| FD1292255S(B) | S/B | 12 | 0.20 | 2.40 | 2500 | 46.00 | 2.78 | 30.0 | 79 |
| FD1292253S(B) | S/B | 12 | 0.13 | 1.56 | 2000 | 38.23 | 1.98 | 26.0 | 79 |
| FD2492257S(B) | S/B | 24 | 0.16 | 1.92 | 3200 | 59.52 | 4.23 | 36.0 | 79 |
| FD2492255S(B) | S/B | 24 | 0.12 | 1.44 | 2500 | 46.00 | 2.78 | 30.0 | 79 |
| FD2492253S(B) | S/B | 24 | 0.10 | 2.40 | 2000 | 38.23 | 1.98 | 26.0 | 79 |
| FD4892257S(B) | S/B | 48 | 0.30 | 14.40 | 4200 | 81.98 | 6.60 | 45.0 | 79 |
| FD4892255S(B) | S/B | 48 | 0.25 | 12.00 | 3600 | 68.48 | 5.48 | 40.0 | 79 |
| FD4892253S(B) | S/B | 48 | 0.20 | 9.60 | 2900 | 54.46 | 3.65 | 33.0 | 79 |
| FD4892251S(B) | S/B | 48 | 0.15 | 7.20 | 2500 | 46.00 | 2.78 | 30.0 | 79 |

*** B: Two Ball bearing S: Sleeve Bearing * All reading are typical values at rated voltage**
*** Function type optional * Specifications are subject to change without notice**





Size:92*92*25mm-1

General Specifications:

Motor: 4 pole brushless DC motor
 Frame: Thermoplastic PBT+30%GF
 Impeller: Thermoplastic PBT+15%GF
 Bearing: Precision Ball Bearing/Sleeve Bearing
 Storage temperature: -40°C to +75°C
 Operating temperature: -10°C to +70°C



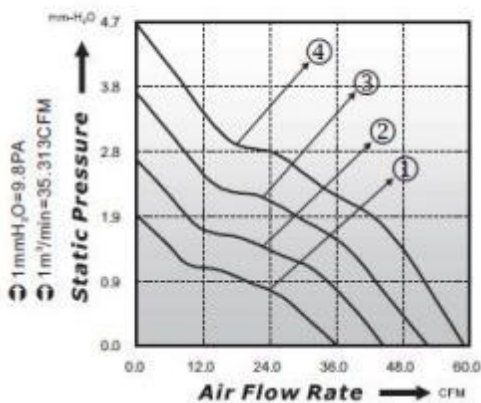
Major Characteristic Parameters



| MODEL | Bearing System | Rated Voltage (V) | Rated Current (A) | Input Power (W) | Speed (RPM) | Max Air Flow (CFM) | Max Static Pressure (mm H ₂ O) | Noise (dBA) | Weight (g) |
|---------------|----------------|-------------------|-------------------|-----------------|-------------|--------------------|---|-------------|------------|
| FD1292257S(B) | S/B | 12 | 0.30 | 3.60 | 3200 | 59.04 | 4.68 | 36.0 | 75 |
| FD1292255S(B) | S/B | 12 | 0.25 | 3.00 | 2800 | 52.51 | 3.67 | 33.0 | 75 |
| FD1292253S(B) | S/B | 12 | 0.17 | 2.04 | 2400 | 44.41 | 2.61 | 30.0 | 75 |
| FD1292251S(B) | S/B | 12 | 0.13 | 1.56 | 2000 | 36.22 | 1.90 | 26.0 | 75 |
| FD2492257S(B) | S/B | 24 | 0.18 | 4.32 | 3200 | 59.04 | 4.68 | 36.0 | 75 |
| FD2492255S(B) | S/B | 24 | 0.13 | 3.12 | 2800 | 52.51 | 3.67 | 33.0 | 75 |
| FD2492253S(B) | S/B | 24 | 0.11 | 2.64 | 2400 | 44.41 | 2.61 | 30.0 | 75 |
| FD2492251S(B) | S/B | 24 | 0.06 | 1.44 | 2000 | 36.22 | 1.90 | 26.0 | 75 |

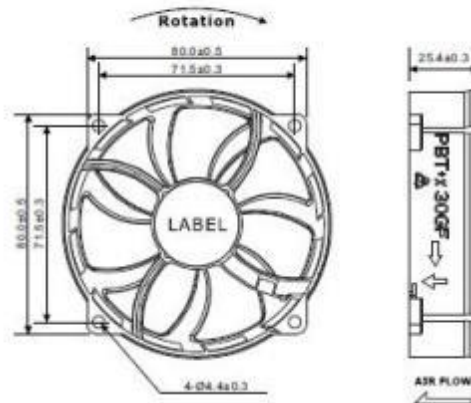
* B: Two Ball bearing S: Sleeve Bearing * All reading are typical values at rated voltage
 * Function type optional * Specifications are subject to change without notice

P-Q Curve (At Rated Voltage)



Dimensions Drawing

Unit: (mm)





Size:92*92*38mm

General Specifications:

Motor: 4 pole brushless DC motor
 Frame: Thermoplastic PBT+30%GF
 Impeller: Thermoplastic PBT+15%GF
 Bearing: Precision Ball Bearing/Sleeve Bearing
 Storage temperature: -40°C to +75°C
 Operating temperature: -10°C to +70°C



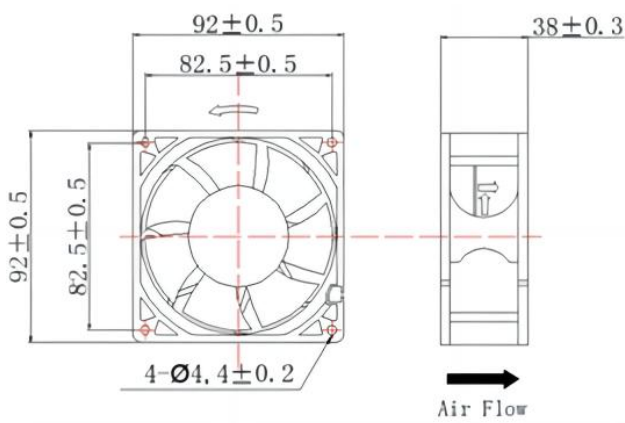
Major Characteristic Parameters



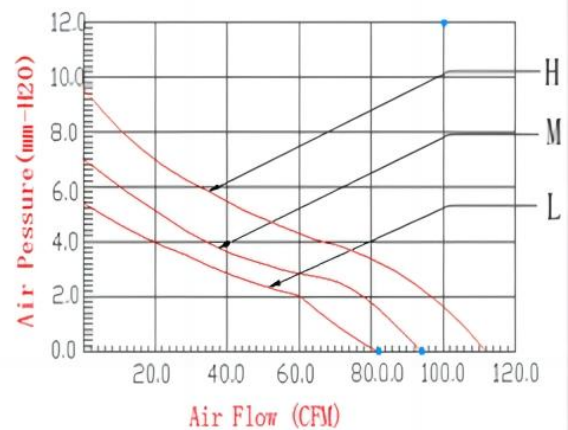
| MODEL | Bearing System | Rated Voltage (V) | Rated Current (A) | Input Power (W) | Speed (RPM) | Max Air Flow (CFM) | Max Static Pressure (mm H2O) | Noise (dBA) | Weight (g) |
|---------------|----------------|-------------------|-------------------|-----------------|-------------|--------------------|------------------------------|-------------|------------|
| FD1292387S(B) | S/B | 12 | 1.60 | 19.20 | 5200 | 116.53 | 19.60 | 57.0 | 205 |
| FD1292385S(B) | S/B | 12 | 1.20 | 14.40 | 4400 | 99.00 | 14.40 | 52.0 | 205 |
| FD1292383S(B) | S/B | 12 | 0.80 | 9.60 | 3600 | 81.25 | 9.46 | 47.0 | 205 |
| FD1292381S(B) | S/B | 12 | 0.50 | 6.00 | 2800 | 61.07 | 5.41 | 41.0 | 205 |
| FD1292387S(B) | S/B | 24 | 0.80 | 19.20 | 5200 | 116.53 | 19.60 | 57.0 | 205 |
| FD2492385S(B) | S/B | 24 | 0.60 | 14.40 | 4400 | 99.00 | 14.40 | 52.0 | 205 |
| FD2492383S(B) | S/B | 24 | 0.40 | 9.60 | 3600 | 81.25 | 9.46 | 47.0 | 205 |
| FD2492381S(B) | S/B | 24 | 0.25 | 6.00 | 2800 | 61.07 | 5.41 | 41.0 | 205 |
| FD4892387S(B) | S/B | 48 | 0.40 | 19.20 | 5200 | 116.53 | 19.60 | 57.0 | 205 |
| FD4892385S(B) | S/B | 48 | 0.30 | 14.40 | 4400 | 99.00 | 14.40 | 52.0 | 205 |
| FD4892383S(B) | S/B | 48 | 0.20 | 9.60 | 3600 | 81.25 | 9.46 | 47.0 | 205 |

* B: Two Ball bearing S: Sleeve Bearing * All reading are typical values at rated voltage

* Function type optional * Specifications are subject to change without notice



Characteristic Curve





Size: 92*92*38mm Max air flow

General Specifications:

Motor: 4 pole brushless DC motor
 Frame: Thermoplastic PBT+30%GF
 Impeller: Thermoplastic PBT+15%GF
 Bearing: Precision Ball Bearing/Sleeve Bearing
 Storage temperature: -40°C to +75°C
 Operating temperature: -10°C to +70°C

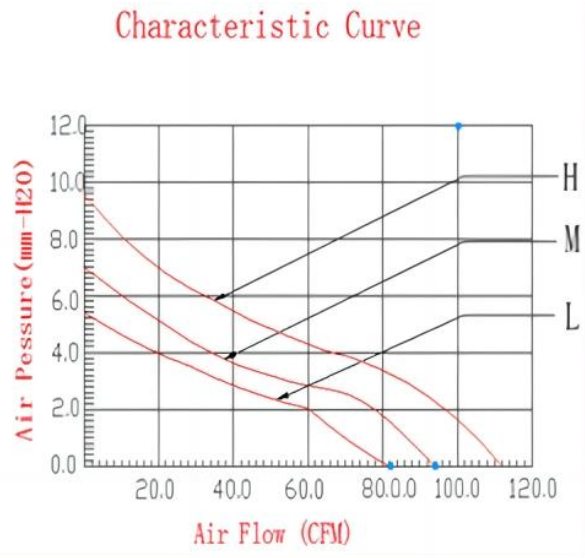
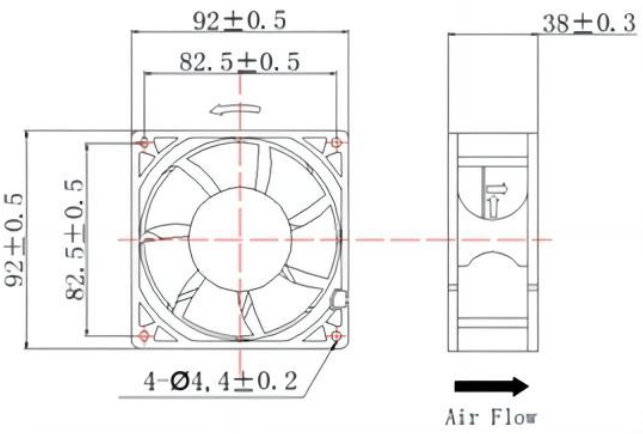


Major Characteristic Parameters



| Model 型号 | Bearing Type 轴承类型 | Rated Voltage 额定电压 | Current 电流 | Speed 转速 | Air Flow 风量 | Pressure 风压 | Noise 噪音 | Weight 重量 |
|--------------|----------------------|-----------------------|---------------|-------------|----------------|----------------|-------------|--------------|
| | | VDC | A | RPM | CFM | mmH2O | dBA | g |
| FD4892389S/B | Sleeve/Ball | 48 | 0.30 | 5000 | 118.21 | 15.16 | 55.4 | 160 |
| FD4892387S/B | | | 0.20 | 4400 | 105.3 | 15.16 | 52.8 | |
| FD4892385S/B | | | 0.15 | 3800 | 88.21 | 10.68 | 48.1 | |
| FD4892383S/B | | | 0.10 | 3200 | 72.19 | 7.89 | 43.1 | |
| FD2492389S/B | Sleeve/Ball | 24 | 0.55 | 5000 | 118.21 | 17.15 | 55.4 | |
| FD2492387S/B | | | 0.40 | 4400 | 105.3 | 15.16 | 52.8 | |
| FD2492385S/B | | | 0.30 | 3800 | 88.21 | 10.68 | 48.1 | |
| FD2492383S/B | | | 0.20 | 3200 | 72.19 | 7.89 | 43.1 | |
| FD1292387S/B | Sleeve/Ball | 12 | 1.10 | 5000 | 118.21 | 17.15 | 55.4 | |
| FD1292389S/B | | | 0.80 | 4400 | 105.3 | 15.16 | 52.8 | |
| FD1292385S/B | | | 0.60 | 3800 | 88.21 | 10.68 | 48.1 | |
| FD1292383S/B | | | 0.40 | 3200 | 72.19 | 7.89 | 43.1 | |

* B: Two Ball bearing S: Sleeve Bearing * All reading are typical values at rated voltage
 * Function type optional * Specifications are subject to change without notice





Size: 100*100*12mm

General Specifications:

Motor: 4 pole brushless DC motor
 Frame: Thermoplastic PBT+30%GF
 Impeller: Thermoplastic PBT+15%GF
 Bearing: Precision Ball Bearing/Sleeve Bearing
 Storage temperature: -40°C to +75°C
 Operating temperature: -10°C to +70°C

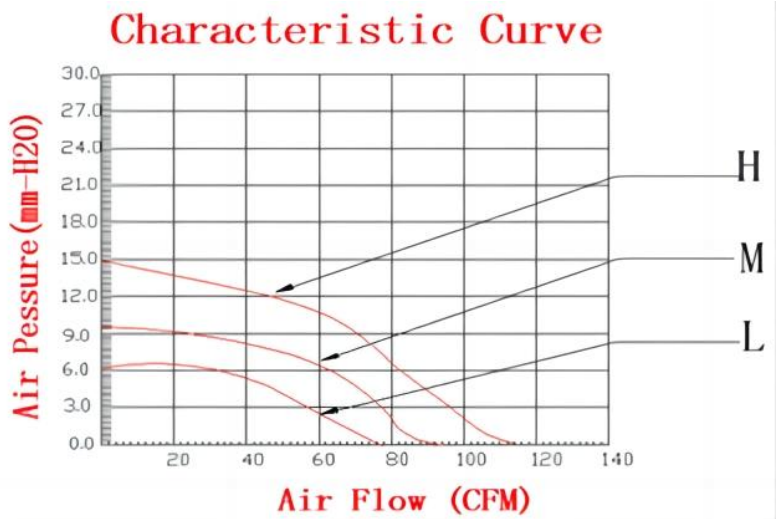
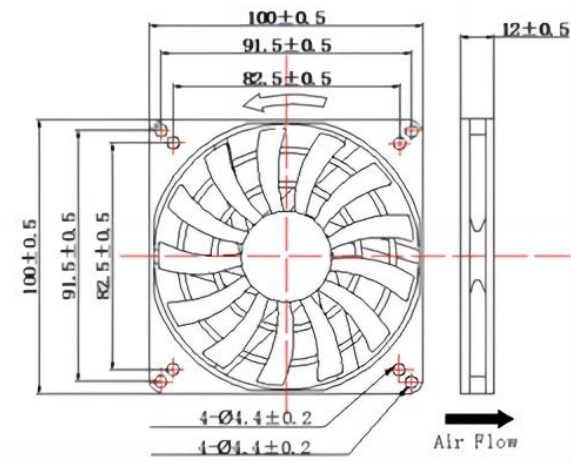


Major Characteristic Parameters

| Model 型号 | Bearing Type 轴承类型 | Rated Voltage 额定电压 | Current 电流 | Speed 转速 | Air Flow 风量 | Pressure 风压 | Noise 噪音 | Weight 重量 |
|-------------|----------------------|-----------------------|---------------|-------------|----------------|--------------------|-------------|--------------|
| | | VDC | A | RPM | CFM | mmH ₂ O | dBA | g |
| FD2410127S | Sleeve | 24 | 0.20 | 2400 | 48.45 | 2.06 | 35.83 | 85 |
| FD2410125S | | | 0.15 | 2000 | 38.32 | 1.82 | 28.43 | |
| FD2410123S | | | 0.12 | 1600 | 30.12 | 1.45 | 22.5 | |
| FD1210127S | Sleeve | 12 | 0.3 | 2400 | 48.45 | 2.06 | 35.83 | |
| FD1210125S | | | 0.25 | 2000 | 38.32 | 1.82 | 28.43 | |
| FD1210123S | | | 0.20 | 1600 | 30.12 | 1.45 | 22.5 | |

* B: Two Ball bearing S: Sleeve Bearing * All reading are typical values at rated voltage

* Function type optional * Specifications are subject to change without notice





Size: 120*120*25mm

General Specifications:

Motor: 4 pole brushless DC motor
 Frame: Thermoplastic PBT+30%GF
 Impeller: Thermoplastic PBT+15%GF
 Bearing: Precision Ball Bearing/Sleeve Bearing
 Storage temperature: -40°C to +75°C
 Operating temperature: -10°C to +70°C

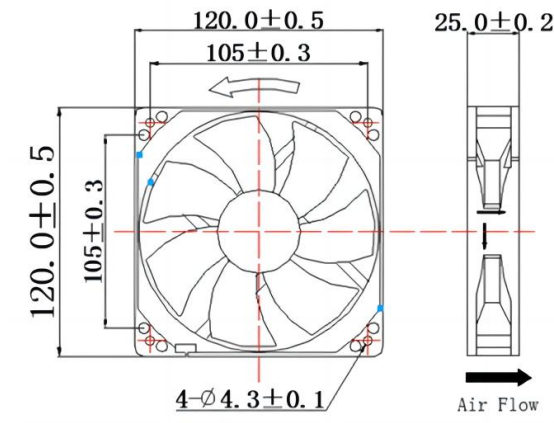


Major Characteristic Parameters

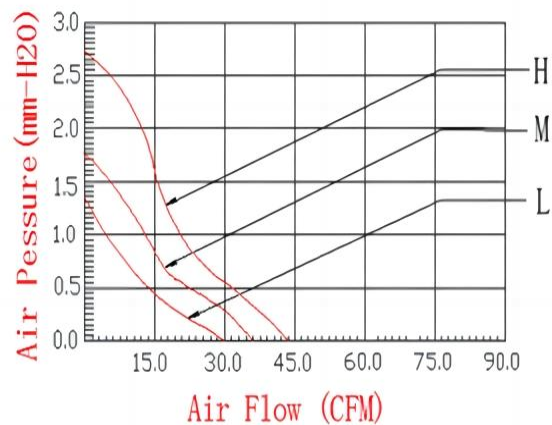


| MODEL | Bearing System | Rated Voltage (V) | Rated Current (A) | Input Power (W) | Speed (RPM) | Max Air Flow (CFM) | Max Static Pressure (mm H2O) | Noise (dBA) | Weight (g) |
|----------------|----------------|-------------------|-------------------|-----------------|-------------|--------------------|------------------------------|-------------|------------|
| FD12120257S(B) | S/B | 12 | 0.28 | 3.36 | 2300 | 87.00 | 4.10 | 37.0 | 145 |
| FD12120255S(B) | S/B | 12 | 0.20 | 2.40 | 2000 | 76.45 | 3.34 | 33.0 | 145 |
| FD12120253S(B) | S/B | 12 | 0.13 | 1.56 | 1800 | 58.87 | 2.13 | 30.0 | 145 |
| FD24120257S(B) | S/B | 24 | 0.25 | 6.00 | 3000 | 106.73 | 5.90 | 41.0 | 145 |
| FD24120255S(B) | S/B | 24 | 0.15 | 3.60 | 2300 | 87.00 | 4.10 | 37.0 | 145 |
| FD24120253S(B) | S/B | 24 | 0.10 | 2.40 | 2000 | 76.45 | 3.34 | 33.0 | 145 |
| FD48120257S(B) | S/B | 48 | 0.18 | 8.64 | 3000 | 106.73 | 5.90 | 41.0 | 145 |
| FD48120255S(B) | S/B | 48 | 0.14 | 6.72 | 2300 | 87.00 | 4.10 | 37.0 | 145 |
| FD48120253S(B) | S/B | 48 | 0.10 | 4.80 | 2000 | 76.45 | 3.34 | 33.0 | 145 |
| FD05120257S(B) | S/B | 5 | 0.45 | 2.25 | 2000 | 76.45 | 3.34 | 33.0 | 145 |

* B: Two Ball bearing S: Sleeve Bearing * All reading are typical values at rated voltage
 * Function type optional * Specifications are subject to change without notice



Characteristic Curve





Size: 120*120*25mm Max air flow

General Specifications:

Motor: 4 pole brushless DC motor
 Frame: Thermoplastic PBT+30%GF
 Impeller: Thermoplastic PBT+15%GF
 Bearing: Precision Ball Bearing/Sleeve Bearing
 Storage temperature: -40°C to +75°C
 Operating temperature: -10°C to +70°C

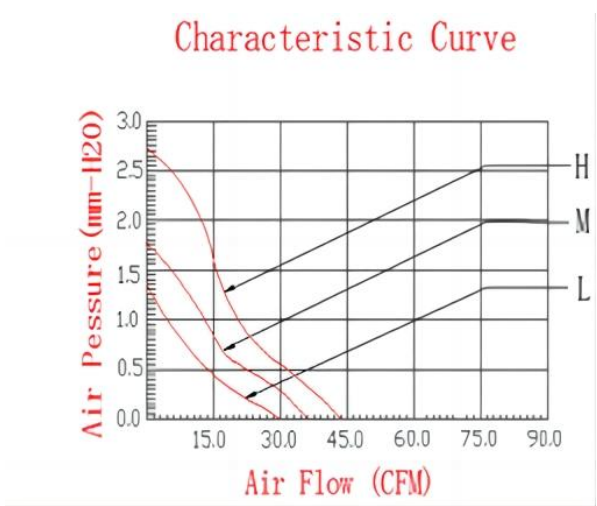
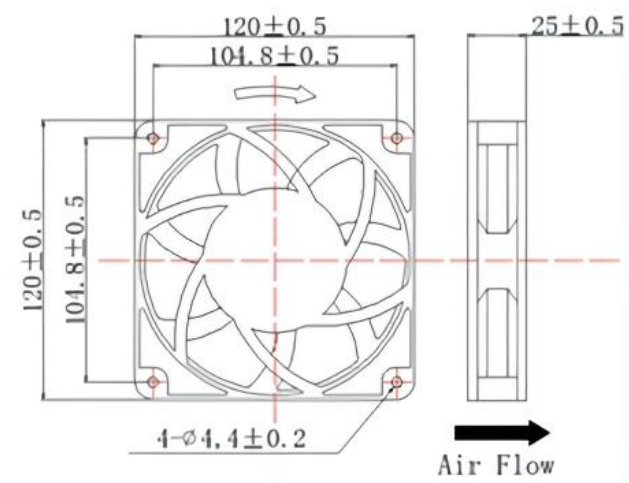


Major Characteristic Parameters



| Model 型号 | Bearing Type 轴承类型 | Rated Voltage | Current | Speed | Air Flow | Pressure | Noise | Weight |
|--------------|----------------------|---------------|---------|-------|----------|--------------------|-------|--------|
| | | 额定电压 | 电流 | 转速 | 风量 | 风压 | 噪音 | 重量 |
| | | VDC | A | RPM | CFM | mmH ₂ O | dBA | g |
| FD4812259S/B | Sleeve/Ball | 48 | 0.33 | 5500 | 165.48 | 18.07 | 59.0 | 150 |
| FD4812257S/B | | | 0.21 | 4500 | 135.93 | 12.19 | 53.8 | |
| FD4812255S/B | | | 0.15 | 3500 | 106.38 | 7.45 | 47.2 | |
| FD4812253S/B | | | 0.08 | 2500 | 91.60 | 4.61 | 36.8 | |
| FD2412259S/B | Sleeve/Ball | 24 | 0.66 | 5500 | 165.48 | 18.07 | 59.0 | |
| FD2412257S/B | | | 0.42 | 4500 | 135.93 | 12.19 | 53.8 | |
| FD2412255S/B | | | 0.3 | 3500 | 106.38 | 7.45 | 47.2 | |
| FD2412253S/B | | | 0.15 | 2500 | 91.60 | 4.61 | 36.8 | |
| FD1212259S/B | Sleeve/Ball | 12 | 1.32 | 5500 | 165.48 | 18.07 | 59.0 | |
| FD1212257S/B | | | 0.84 | 4500 | 135.93 | 12.19 | 53.8 | |
| FD1212255S/B | | | 0.6 | 3500 | 106.38 | 7.45 | 47.2 | |
| FD1212253S/B | | | 0.3 | 2500 | 91.60 | 4.61 | 36.8 | |

* B: Two Ball bearing S: Sleeve Bearing * All reading are typical values at rated voltage
 * Function type optional * Specifications are subject to change without notice





Size: 120*120*38mm

General Specifications:

Motor: 4 pole brushless DC motor
 Frame: Thermoplastic PBT+30%GF
 Impeller: Thermoplastic PBT+15%GF
 Bearing: Precision Ball Bearing/Sleeve Bearing
 Storage temperature: -40°C to +75°C
 Operating temperature: -10°C to +70°C

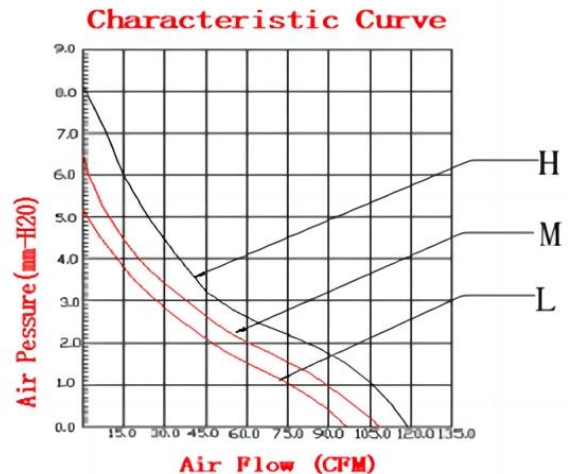
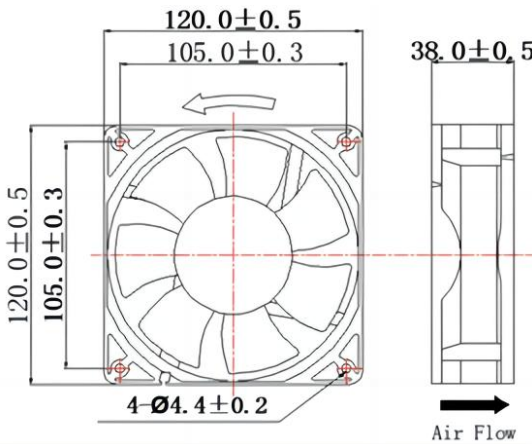


Major Characteristic Parameters



| Model 型号 | Bearing Type 轴承类型 | Rated Voltage 额定电压 | Current 电流 | Speed 转速 | Air Flow 风量 | Pressure 风压 | Noise 噪音 | Weight 重量 |
|--------------|----------------------|-----------------------|---------------|-------------|----------------|--------------------|-------------|--------------|
| | | VDC | A | RPM | CFM | mmH ₂ O | dBA | g |
| FD4812389S/B | S/B | 48 | 0.25 | 3600 | 142.80 | 11.71 | 50.2 | 260 |
| FD4812387S/B | | | 0.16 | 3200 | 126.93 | 9.25 | 47.8 | |
| FD4812385S/B | | | 0.12 | 2600 | 103.03 | 6.11 | 41.7 | |
| FD4812383S/B | | | 0.09 | 2000 | 79.25 | 4.70 | 32.1 | |
| FD2412389S/B | | 24 | 0.49 | 3600 | 142.80 | 11.71 | 50.2 | |
| FD2412387S/B | | | 0.33 | 3200 | 126.93 | 9.25 | 47.8 | |
| FD2412385S/B | | | 0.25 | 2600 | 103.03 | 6.11 | 41.7 | |
| FD2412383S/B | | | 0.15 | 2000 | 79.25 | 4.70 | 32.1 | |
| FD1212389S/B | | 12 | 0.98 | 3600 | 142.80 | 11.71 | 50.2 | |
| FD1212387S/B | | | 0.66 | 3200 | 126.93 | 9.25 | 47.8 | |
| FD1212385S/B | | | 0.5 | 2600 | 103.03 | 6.11 | 41.7 | |
| FD1212383S/B | | | 0.3 | 2000 | 79.25 | 4.70 | 32.1 | |

* B: Two Ball bearing S: Sleeve Bearing * All reading are typical values at rated voltage
 * Function type optional * Specifications are subject to change without notice





Size: 120*120*38mm Max air flow

General Specifications:

- Motor: 4 pole brushless DC motor
- Frame: Thermoplastic PBT+30%GF
- Impeller: Thermoplastic PBT+15%GF
- Bearing: Precision Ball Bearing/Sleeve Bearing
- Storage temperature: -40°C to +75°C
- Operating temperature: -10°C to +70°C

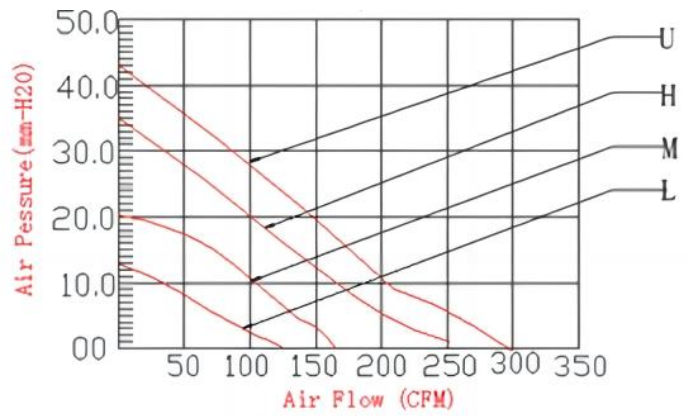
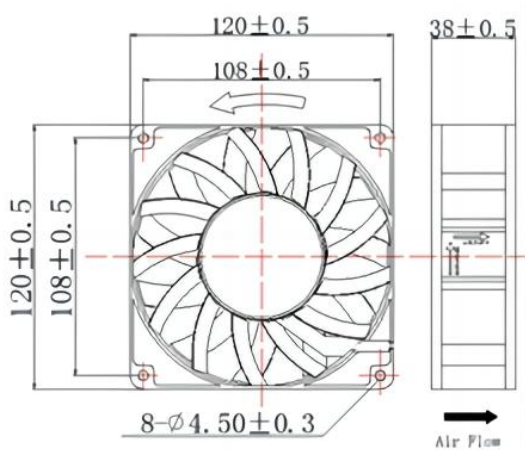


Major Characteristic Parameters



| Model 型号 | Bearing Type 轴承类型 | Rated Voltage 额定电压 | Current 电流 | Speed 转速 | Air Flow 风量 | Pressure 风压 | Noise 噪音 | Weight 重量 |
|--------------|----------------------|-----------------------|---------------|-------------|----------------|----------------|-------------|--------------|
| | | VDC | A | RPM | CFM | mmH2O | dBA | g |
| FD4892389S/B | S/B | 48 | 0.30 | 5000 | 118.21 | 15.16 | 55.4 | 160 |
| FD4892387S/B | | | 0.20 | 4400 | 105.3 | 15.16 | 52.8 | |
| FD4892385S/B | | | 0.15 | 3800 | 88.21 | 10.68 | 48.1 | |
| FD4892383S/B | | | 0.10 | 3200 | 72.19 | 7.89 | 43.1 | |
| FD2492389S/B | S/B | 24 | 0.55 | 5000 | 118.21 | 17.15 | 55.4 | |
| FD2492387S/B | | | 0.40 | 4400 | 105.3 | 15.16 | 52.8 | |
| FD2492385S/B | | | 0.30 | 3800 | 88.21 | 10.68 | 48.1 | |
| FD2492383S/B | | | 0.20 | 3200 | 72.19 | 7.89 | 43.1 | |
| FD1292387S/B | S/B | 12 | 1.10 | 5000 | 118.21 | 17.15 | 55.4 | |
| FD1292389S/B | | | 0.80 | 4400 | 105.3 | 15.16 | 52.8 | |
| FD1292385S/B | | | 0.60 | 3800 | 88.21 | 10.68 | 48.1 | |
| FD1292383S/B | | | 0.40 | 3200 | 72.19 | 7.89 | 43.1 | |

* B: Two Ball bearing S: Sleeve Bearing * All reading are typical values at rated voltage
 * Function type optional * Specifications are subject to change without notice





Size:140*140*25mm

General Specifications:

Motor: 4 pole brushless DC motor
 Frame: Thermoplastic PBT+30%GF
 Impeller: Thermoplastic PBT+15%GF
 Bearing: Precision Ball Bearing/Sleeve Bearing
 Storage temperature: -40°C to +75°C
 Operating temperature:-10°C to +70°C

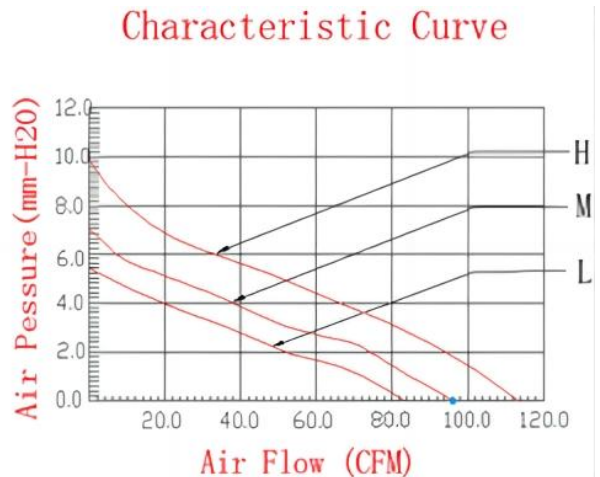
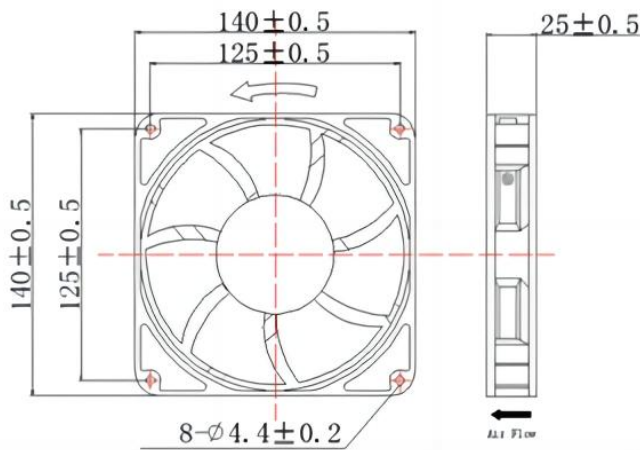


Major Characteristic Parameters



| MODEL | Bearing System | Rated Voltage (V) | Rated Current (A) | Input Power (W) | Speed (RPM) | Max Air Flow (CFM) | Max Static Pressure (mm H2O) | Noise (dBA) | Weight (g) |
|----------------|----------------|-------------------|-------------------|-----------------|-------------|--------------------|------------------------------|-------------|------------|
| FD12140257S(B) | S/B | 12 | 0.47 | 5.64 | 1800 | 114.39 | 2.61 | 38.0 | 164 |
| FD12140255S(B) | S/B | 12 | 0.35 | 4.20 | 1500 | 98.07 | 1.99 | 32.0 | 164 |
| FD12140253S(B) | S/B | 12 | 0.21 | 2.52 | 1200 | 84.82 | 1.49 | 26.0 | 164 |
| FD12140251S(B) | S/B | 12 | 0.17 | 2.04 | 900 | 61.26 | 0.82 | 22.0 | 164 |
| FD24140257S(B) | S/B | 24 | 0.25 | 6.00 | 1800 | 114.39 | 2.61 | 38.0 | 164 |
| FD24140255S(B) | S/B | 24 | 0.18 | 4.32 | 1500 | 98.07 | 1.99 | 32.0 | 164 |
| FD24140253S(B) | S/B | 24 | 0.12 | 2.88 | 1200 | 84.82 | 1.49 | 26.0 | 164 |
| FD24140251S(B) | S/B | 24 | 0.09 | 2.16 | 900 | 61.26 | 0.82 | 22.0 | 164 |

*** B: Two Ball bearing S: Sleeve Bearing * All reading are typical values at rated voltage**
*** Function type optional * Specifications are subject to change without notice**





Size: 172*150*51mm

General Specifications:

Motor: 4 pole brushless DC motor
 Frame: Thermoplastic PBT+30%GF
 Impeller: Thermoplastic PBT+15%GF
 Bearing: Precision Ball Bearing/Sleeve Bearing
 Storage temperature: -40°C to +75°C
 Operating temperature: -10°C to +70°C

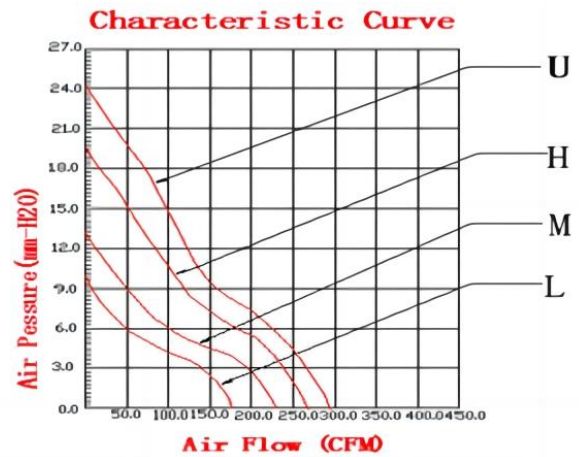
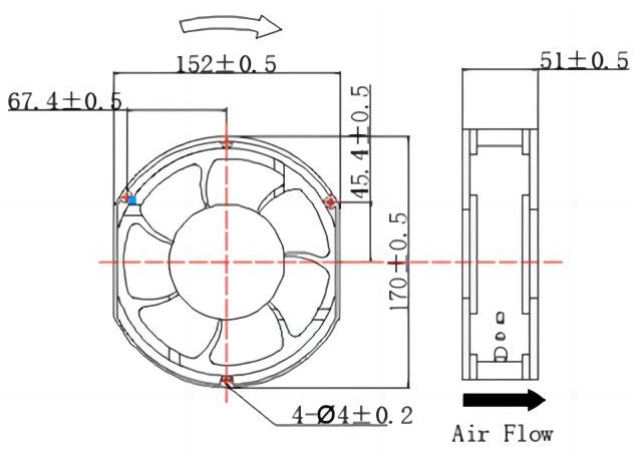


Major Characteristic Parameters



| MODEL | Bearing System | Rated Voltage (V) | Rated Current (A) | Input Power (W) | Speed (RPM) | Max Air Flow (CFM) | Max Static Pressure (mm H2O) | Noise (dBA) | Weight (g) |
|----------------|----------------|-------------------|-------------------|-----------------|-------------|--------------------|------------------------------|-------------|------------|
| FD12172517S(B) | S/B | 12 | 2.00 | 24.00 | 3500 | 306.00 | 24.60 | 60.0 | 600 |
| FD12172515S(B) | S/B | 12 | 1.50 | 18.00 | 3000 | 259.90 | 17.60 | 55.0 | 600 |
| FD12172513S(B) | S/B | 12 | 1.10 | 13.20 | 2500 | 219.30 | 12.25 | 50.0 | 600 |
| FD24172517S(B) | S/B | 24 | 1.50 | 36.00 | 4000 | 350.91 | 27.00 | 65.0 | 600 |
| FD24172515S(B) | S/B | 24 | 1.20 | 28.80 | 3500 | 306.00 | 24.60 | 60.0 | 600 |
| FD24172513S(B) | S/B | 24 | 0.90 | 21.60 | 3000 | 259.90 | 17.60 | 55.0 | 600 |
| FD24172511S(B) | S/B | 24 | 0.60 | 14.40 | 2500 | 219.30 | 12.25 | 50.0 | 600 |
| FD48172517S(B) | S/B | 48 | 0.90 | 43.20 | 4000 | 350.91 | 27.00 | 65.0 | 600 |
| FD48172515S(B) | S/B | 48 | 0.70 | 33.60 | 3500 | 306.00 | 24.60 | 60.0 | 600 |
| FD48172513S(B) | S/B | 48 | 0.50 | 24.00 | 3000 | 259.90 | 17.60 | 55.0 | 600 |
| FD48172511S(B) | S/B | 48 | 0.30 | 14.40 | 2500 | 219.30 | 12.25 | 50.0 | 600 |

*** B: Two Ball bearing S: Sleeve Bearing * All reading are typical values at rated voltage**
*** Function type optional * Specifications are subject to change without notice**





NEW Size:225*225*80mm

General Specifications:

Motor: 4 pole brushless DC motor
 Frame: Thermoplastic PBT+30%GF
 Impeller: Thermoplastic PBT+15%GF
 Bearing: Precision Ball Bearing/Sleeve Bearing
 Storage temperature: -40°C to +75°C
 Operating temperature: -10°C to +70°C

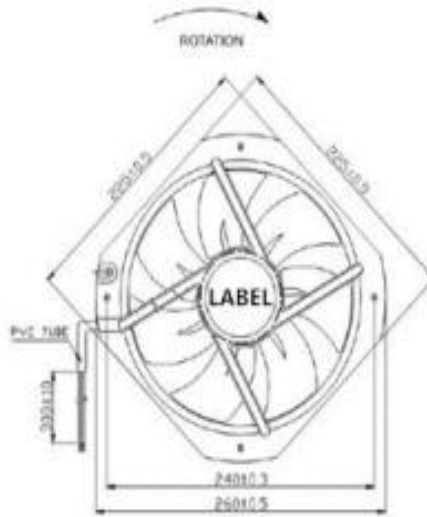
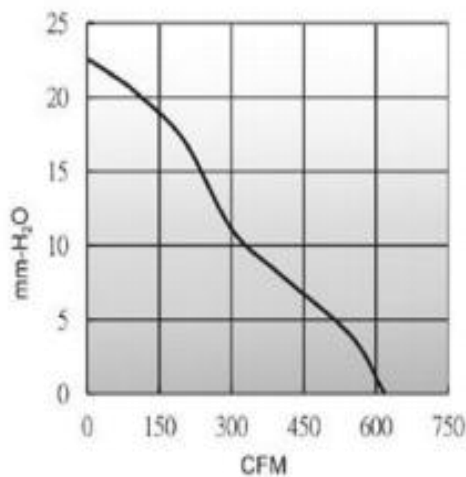


Major Characteristic Parameters



| MODEL | Bearing System | Rated Voltage (V) | Rated Current (A) | Input Power (W) | Speed (RPM) | Max Air Flow (CFM) | Max Static Pressure (mm H2O) | Noise (dBA) | Weight (g) |
|----------------|----------------|-------------------|-------------------|-----------------|-------------|--------------------|------------------------------|-------------|------------|
| FD24225807S(B) | S/B | 24 | 2.40 | 57.60 | 2950 | 618.00 | 21.20 | 60.0 | 2100 |
| FD48225807S(B) | S/B | 48 | 1.20 | 57.60 | 2950 | 618.00 | 21.20 | 60.0 | 2100 |

* B: Two Ball bearing S: Sleeve Bearing * All reading are typical values at rated voltage
 * Function type optional * Specifications are subject to change without notice





NEW Size: \varnothing 254*89mm

General Specifications:

Motor: 4 pole brushless DC motor
 Frame: Thermoplastic PBT+30%GF
 Impeller: Thermoplastic PBT+15%GF
 Bearing: Precision Ball Bearing/Sleeve Bearing
 Storage temperature: -40°C to +75°C
 Operating temperature: -10°C to +70°C



Major Characteristic Parameters

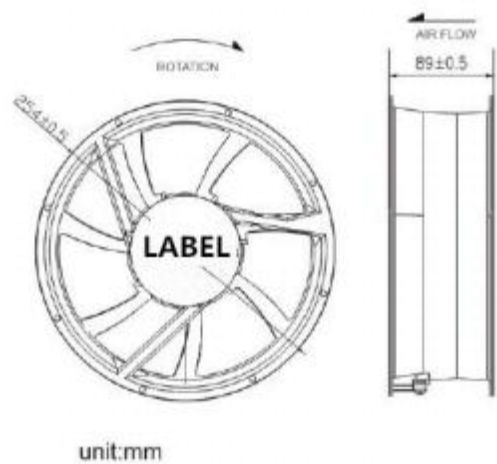
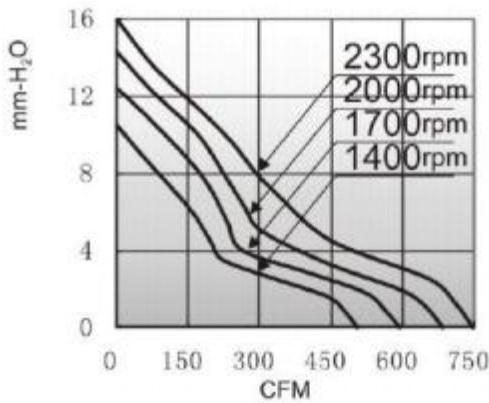


| MODEL | Bearing System | Rated Voltage (V) | Rated Current (A) | Input Power (W) | Speed (RPM) | Max Air Flow (CFM) | Max Static Pressure (mm H ₂ O) | Noise (dBA) | Weight (g) |
|----------------|----------------|-------------------|-------------------|-----------------|-------------|--------------------|---|-------------|------------|
| FD24254899S(B) | S/B | 24 | 2.40 | 57.60 | 2300 | 747.00 | 15.97 | 71.0 | 1550 |
| FD24254897S(B) | S/B | 24 | 2.10 | 50.40 | 2000 | 684.00 | 14.32 | 63.0 | 1550 |
| FD24254895S(B) | S/B | 24 | 1.30 | 31.20 | 1700 | 595.00 | 12.45 | 59.0 | 1550 |
| FD24254893S(B) | S/B | 24 | 0.80 | 19.20 | 1400 | 506.00 | 10.59 | 52.0 | 1550 |
| FD48254899S(B) | S/B | 48 | 2.00 | 96.00 | 2300 | 747.00 | 15.97 | 71.0 | 1550 |
| FD48254897S(B) | S/B | 48 | 1.30 | 62.40 | 2000 | 684.00 | 14.32 | 63.0 | 1550 |
| FD48254895S(B) | S/B | 48 | 1.00 | 48.00 | 1700 | 595.00 | 12.45 | 59.0 | 1550 |
| FD48254893S(B) | S/B | 48 | 0.63 | 30.24 | 1400 | 506.00 | 10.59 | 52.0 | 1550 |

* B: Two Ball bearing S: Sleeve Bearing * All reading are typical values at rated voltage
 * Function type optional * Specifications are subject to change without notice

■ P.Q Curve(At Rated Voltage)

■ Dimensions Drawing





DC BLOWER FAN

Size:40*40*10mm

General Specifications:

- Motor: 4 pole brushless DC motor
- Frame: Thermoplastic PBT+30%GF
- Impeller: Thermoplastic PBT+15%GF
- Bearing: Precision Ball Bearing/Sleeve Bearing
- Storage temperature: -40°C to +75°C
- Operating temperature: -10°C to +70°C

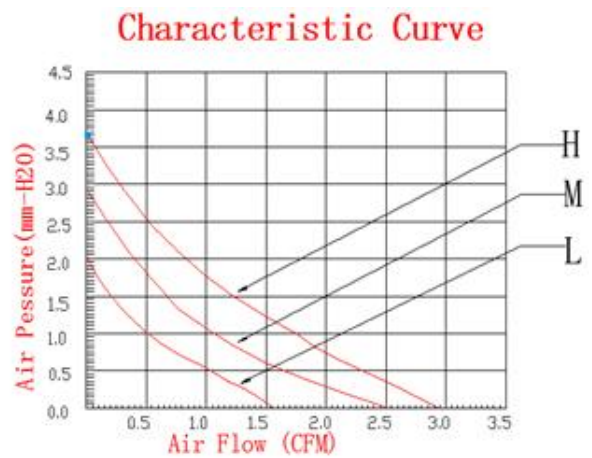
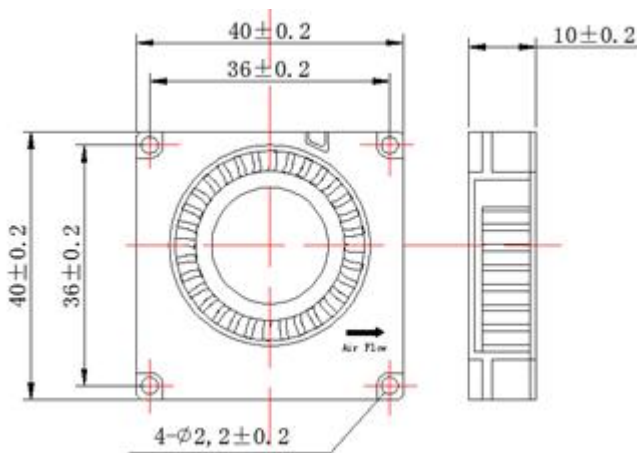


Major Characteristic Parameters



| Model 型号 | Bearing Type 轴承类型 | Rated Voltage | Current | Speed | Air Flow | Pressure | Noise | Weight |
|--------------|----------------------|---------------|---------|-------|----------|--------------------|-------|--------|
| | | 额定电压 | 电流 | 转速 | 风量 | 风压 | 噪音 | 重量 |
| | | VDC | A | RPM | CFM | mmH ₂ O | dBA | g |
| BD0540107S/B | S/B | 5 | 0.15 | 6200 | 1.82 | 7.87 | 34.2 | 12 |
| BD0540105S/B | | | 0.10 | 5500 | 1.60 | 6.68 | 31.0 | |
| BD0540103S/B | | | 0.08 | 4700 | 1.42 | 5.67 | 26.0 | |
| BD1240107S/B | | 12 | 0.12 | 6200 | 1.82 | 7.87 | 34.2 | |
| BD1240105S/B | | | 0.09 | 5500 | 1.60 | 6.68 | 31.0 | |
| BD1240103S/B | | | 0.06 | 4700 | 1.42 | 5.67 | 26.0 | |

* B: Two Ball bearing S: Sleeve Bearing * All reading are typical values at rated voltage
 * Function type optional * Specifications are subject to change without notice

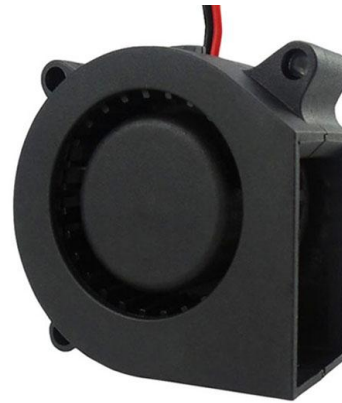




Size:40*40*20 mm

General Specifications:

- Motor: 4 pole brushless DC motor
- Frame: Thermoplastic PBT+30%GF
- Impeller: Thermoplastic PBT+15%GF
- Bearing: Precision Ball Bearing/Sleeve Bearing
- Storage temperature: -40°C to +75°C
- Operating temperature: -10°C to +70°C

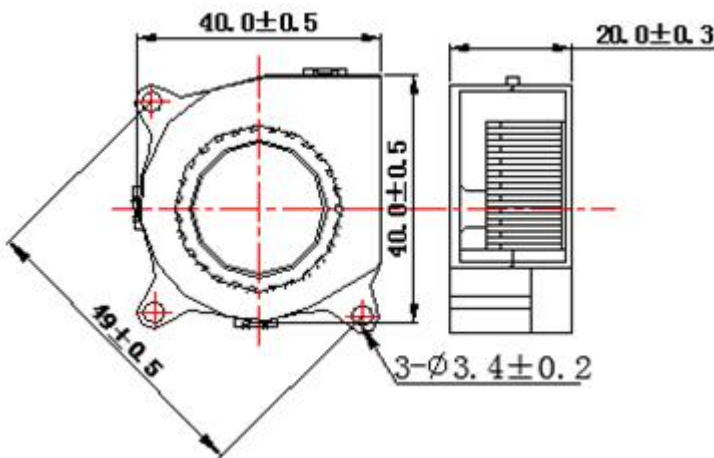


Major Characteristic Parameters

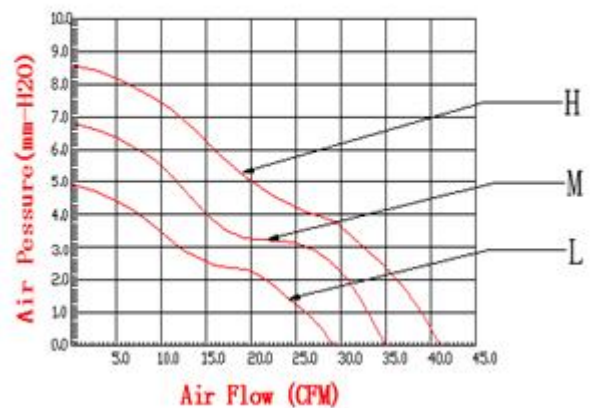


| Model 型号 | Bearing Type 轴承类型 | Rated Voltage 额定电压 | Current 电流 | Speed 转速 | Air Flow 风量 | Pressure 风压 | Noise 噪音 | Weight 重量 |
|--------------|----------------------|-----------------------|---------------|-------------|----------------|--------------------|-------------|--------------|
| | | VDC | A | RPM | CFM | mmH ₂ O | dBA | g |
| BD0540207S/B | S/B | 5 | 1.25 | 5500 | 2.54 | 18.10 | 41.0 | 25 |
| BD0540205S/B | | | 0.80 | 4500 | 2.08 | 11.20 | 32.0 | |
| BD0540203S/B | | | 0.60 | 3500 | 1.62 | 7.00 | 27.0 | |
| BD1240207S/B | | 12 | 2.16 | 6500 | 2.97 | 22.00 | 45.0 | |
| BD1240205S/B | | | 1.80 | 5500 | 2.54 | 18.10 | 41.0 | |
| BD1240203S/B | | | 1.32 | 4500 | 2.08 | 11.20 | 32.0 | |
| BD1240201S/B | | | 1.08 | 3500 | 1.62 | 7.00 | 27.0 | |

* B: Two Ball bearing S: Sleeve Bearing * All reading are typical values at rated voltage
 * Function type optional * Specifications are subject to change without notice



Characteristic Curve





Size:50*50*10 mm

General Specifications:

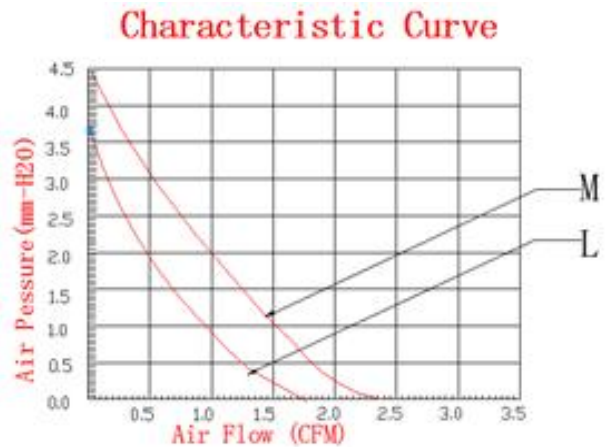
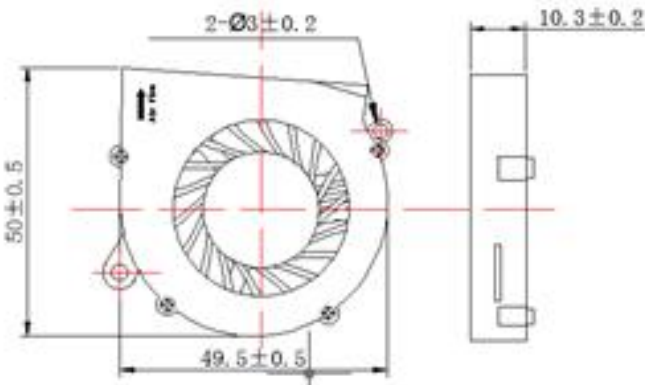
- Motor: 4 pole brushless DC motor
- Frame: Thermoplastic PBT+30%GF
- Impeller: Thermoplastic PBT+15%GF
- Bearing: Precision Ball Bearing/Sleeve Bearing
- Storage temperature: -40°C to +75°C
- Operating temperature: -10°C to +70°C



Major Characteristic Parameters

| Model 型号 | Bearing Type 轴承类型 | Rated Voltage 额定电压 | Current 电流 | Speed 转速 | Air Flow 风量 | Pressure 风压 | Noise 噪音 | Weight 重量 |
|--------------|----------------------|-----------------------|---------------|-------------|----------------|--------------------|-------------|--------------|
| | | VDC | A | RPM | CFM | mmH ₂ O | dBA | g |
| BD1250107S/B | S/B | 12 | 0.09 | 5800 | 2.7 | 8.64 | 37 | 21 |
| BD1250105S/B | | | 0.07 | 5000 | 2.3 | 6.36 | 31.1 | |
| BD1250103S/B | | | 0.06 | 4000 | 1.79 | 4.06 | 26.7 | |
| BD0550107S/B | | 5 | 0.09 | 5000 | 2.3 | 6.36 | 31.1 | |
| BD0550105S/B | | | 0.07 | 4000 | 1.79 | 4.06 | 26.7 | |

* B: Two Ball bearing S: Sleeve Bearing * All reading are typical values at rated voltage
 * Function type optional * Specifications are subject to change without notice





Size:50*50*15mm

General Specifications:

Motor: 4 pole brushless DC motor
 Frame: Thermoplastic PBT+30%GF
 Impeller: Thermoplastic PBT+15%GF
 Bearing: Precision Ball Bearing/Sleeve Bearing
 Storage temperature: -40°C to +75°C
 Operating temperature:-10°C to +70°C

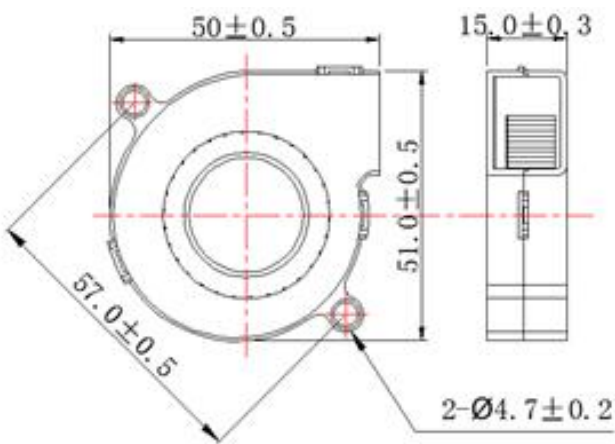


Major Characteristic Parameters

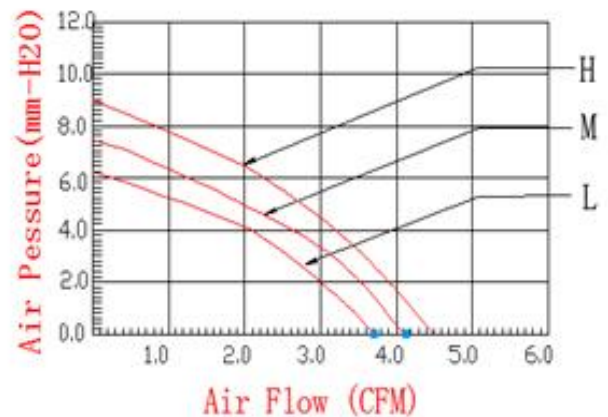


| MODEL | Bearing System | Rated Voltage (V) | Rated Current (A) | Input Power (W) | Speed (RPM) | Max Air Flow (CFM) | Max Static Pressure (mm H2O) | Noise (dBA) | Weight (g) |
|---------------|----------------|-------------------|-------------------|-----------------|-------------|--------------------|------------------------------|-------------|------------|
| BD1250157S(B) | S/B | 12 | 0.30 | 3.60 | 6500 | 5.16 | 24.80 | 45.0 | 26 |
| BD1250155S(B) | S/B | 12 | 0.20 | 2.40 | 5500 | 4.31 | 15.80 | 40.0 | 26 |
| BD1250153S(B) | S/B | 12 | 0.16 | 1.92 | 4500 | 3.49 | 9.41 | 31.0 | 26 |
| BD1250151S(B) | S/B | 12 | 0.12 | 1.44 | 3500 | 2.66 | 4.99 | 27.0 | 26 |
| BD2450157S(B) | S/B | 24 | 0.15 | 3.60 | 6500 | 5.16 | 24.80 | 45.0 | 26 |
| BD2450155S(B) | S/B | 24 | 0.12 | 2.88 | 5500 | 4.31 | 15.80 | 40.0 | 26 |
| BD2450153S(B) | S/B | 24 | 0.10 | 2.40 | 4500 | 3.49 | 9.41 | 31.0 | 26 |
| BD2450151S(B) | S/B | 24 | 0.06 | 1.44 | 3500 | 2.66 | 4.99 | 27.0 | 26 |

*** B: Two Ball bearing S: Sleeve Bearing * All reading are typical values at rated voltage**
*** Function type optional * Specifications are subject to change without notice**



Characteristic Curve





Size: 50*50*20 mm

General Specifications:

- Motor: 4 pole brushless DC motor
- Frame: Thermoplastic PBT+30%GF
- Impeller: Thermoplastic PBT+15%GF
- Bearing: Precision Ball Bearing/Sleeve Bearing
- Storage temperature: -40°C to +75°C
- Operating temperature: -10°C to +70°C

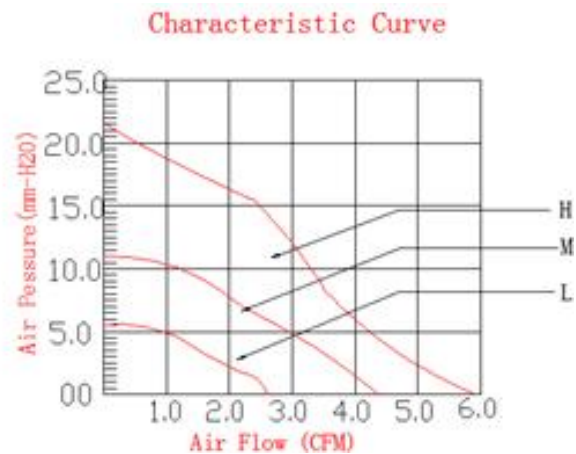
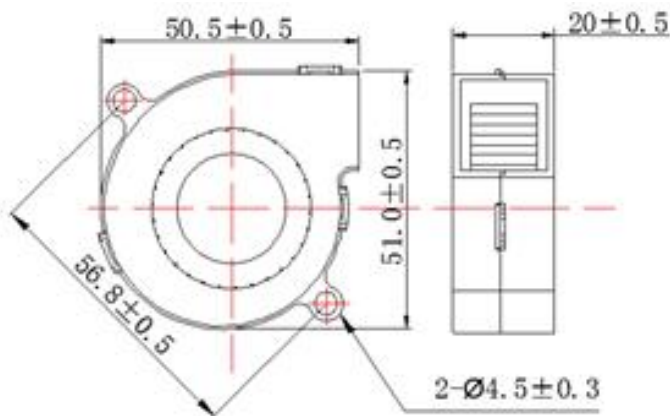


Major Characteristic Parameters



| Model 型号 | Bearing Type 轴承类型 | Rated Voltage 额定电压 | Current 电流 | Speed 转速 | Air Flow 风量 | Pressure 风压 | Noise 噪音 | Weight 重量 | |
|--------------|----------------------|-----------------------|---------------|-------------|----------------|--------------------|-------------|--------------|------|
| | | VDC | A | RPM | CFM | mmH ₂ O | dBA | g | |
| BD2450207S/B | S/B | 24 | 0.13 | 6000 | 5.8 | 21.3 | 42.2 | 32 | |
| BD2450205S/B | | | 0.09 | 5000 | 4.5 | 11.7 | 39.1 | | |
| BD2450203S/B | | | 0.05 | 4000 | 3.4 | 6.3 | 31.5 | | |
| BD1250207S/B | | 12 | 0.25 | 6000 | 5.8 | 21.3 | 42.2 | | |
| BD1250205S/B | | | 0.16 | 5000 | 4.5 | 11.7 | 39.1 | | |
| BD1250203S/B | | | 0.09 | 4000 | 3.4 | 6.3 | 31.5 | | |
| BD0550207S/B | | 5 | 5 | 0.50 | 6000 | 5.8 | 21.3 | | 42.2 |
| BD0550205S/B | | | | 0.32 | 5000 | 4.5 | 11.7 | | 39.1 |
| BD0550203S/B | | | | 0.18 | 4000 | 3.4 | 6.3 | | 31.5 |

* B: Two Ball bearing S: Sleeve Bearing * All reading are typical values at rated voltage
 * Function type optional * Specifications are subject to change without notice





Size:60*60*15mm

General Specifications:

Motor: 4 pole brushless DC motor
 Frame: Thermoplastic PBT+30%GF
 Impeller: Thermoplastic PBT+15%GF
 Bearing: Precision Ball Bearing/Sleeve Bearing
 Storage temperature: -40°C to +75°C
 Operating temperature:-10°C to +70°C

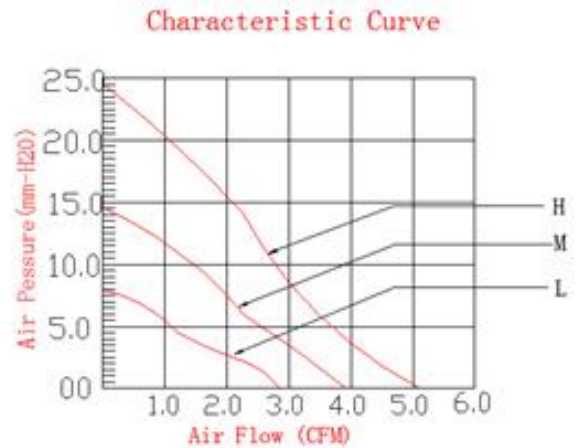
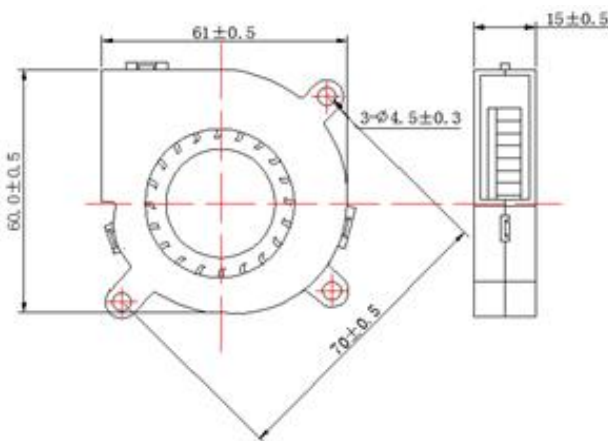


Major Characteristic Parameters



| MODEL | Bearing System | Rated Voltage (V) | Rated Current (A) | Input Power (W) | Speed (RPM) | Max Air Flow (CFM) | Max Static Pressure (mm H2O) | Noise (dBA) | Weight (g) |
|---------------|----------------|-------------------|-------------------|-----------------|-------------|--------------------|------------------------------|-------------|------------|
| BD0560157S(B) | S/B | 5 | 0.35 | 1.75 | 5500 | 3.77 | 18.10 | 37.0 | 26 |
| BD0560155S(B) | S/B | 5 | 0.26 | 1.30 | 4500 | 3.14 | 11.20 | 31.0 | 26 |
| BD0560153S(B) | S/B | 5 | 0.20 | 1.00 | 3500 | 2.35 | 7.00 | 27.0 | 26 |
| BD1260157S(B) | S/B | 12 | 0.28 | 3.36 | 6500 | 4.60 | 22.00 | 45.0 | 26 |
| BD1260155S(B) | S/B | 12 | 0.17 | 2.04 | 5500 | 3.77 | 18.10 | 37.0 | 26 |
| BD1260153S(B) | S/B | 12 | 0.13 | 1.56 | 4500 | 3.14 | 11.20 | 31.0 | 26 |
| BD2460151S(B) | S/B | 12 | 0.10 | 1.20 | 3500 | 2.35 | 7.00 | 27.0 | 26 |
| BD2460157S(B) | S/B | 24 | 0.15 | 3.60 | 6500 | 4.60 | 22.00 | 45.0 | 26 |
| BD2460155S(B) | S/B | 24 | 0.12 | 2.88 | 5500 | 3.77 | 18.10 | 37.0 | 26 |
| BD2460153S(B) | S/B | 24 | 0.08 | 1.92 | 4500 | 3.14 | 11.20 | 31.0 | 26 |

*** B: Two Ball bearing S: Sleeve Bearing * All reading are typical values at rated voltage**
*** Function type optional * Specifications are subject to change without notice**





NEW Size:60*60*25mm

General Specifications:

Motor: 4 pole brushless DC motor
 Frame: Thermoplastic PBT+30%GF
 Impeller: Thermoplastic PBT+15%GF
 Bearing: Precision Ball Bearing/Sleeve Bearing
 Storage temperature: -40°C to +75°C
 Operating temperature: -10°C to +70°C

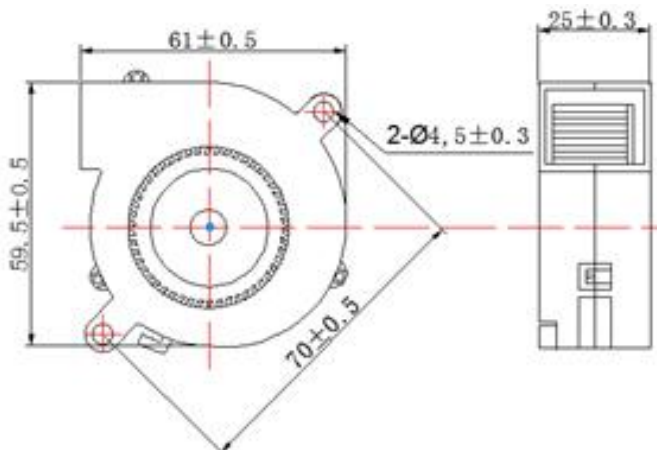


Major Characteristic Parameters

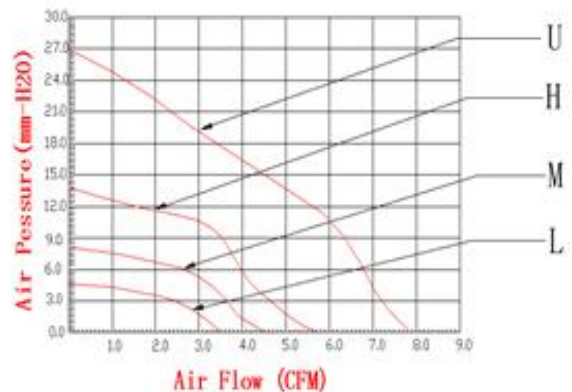


| Model 型号 | Bearing Type 轴承类型 | Rated Voltage 额定电压 | Current 电流 | Speed 转速 | Air Flow 风量 | Pressure 风压 | Noise 噪音 | Weight 重量 | |
|--------------|----------------------|-----------------------|---------------|-------------|----------------|--------------------|-------------|--------------|------|
| | | VDC | A | RPM | CFM | mmH ₂ O | dBA | g | |
| BD2460259S/B | S/B | 24 | 0.23 | 5500 | 7.8 | 26.7 | 44.7 | 46 | |
| BD2460257S/B | | | 0.14 | 5000 | 5.7 | 13.7 | 36.8 | | |
| BD2460255S/B | | | 0.09 | 4000 | 4.6 | 8.1 | 30.6 | | |
| BD2460253S/B | | | 0.06 | 3000 | 3.6 | 4.7 | 26.4 | | |
| BD1260259S/B | | 12 | 0.4 | 5500 | 7.8 | 26.7 | 44.7 | | |
| BD1260257S/B | | | 0.23 | 5000 | 5.7 | 13.7 | 36.8 | | |
| BD1260255S/B | | | 0.18 | 4000 | 4.6 | 8.1 | 30.6 | | |
| BD1260253S/B | | | 0.13 | 3000 | 3.6 | 4.7 | 26.4 | | |
| BD0560257S/B | | 5 | 5 | 0.45 | 4000 | 5.7 | 13.7 | | 36.8 |
| BD0560255S/B | | | | 0.35 | 3500 | 4.6 | 8.1 | | 30.6 |
| BD0560253S/B | | | | 0.23 | 3000 | 3.6 | 4.7 | | 26.4 |

* B: Two Ball bearing S: Sleeve Bearing * All reading are typical values at rated voltage
 * Function type optional * Specifications are subject to change without notice



Characteristic Curve





Size:60*60*28 mm

General Specifications:

Motor: 4 pole brushless DC motor
 Frame: Thermoplastic PBT+30%GF
 Impeller: Thermoplastic PBT+15%GF
 Bearing: Precision Ball Bearing/Sleeve Bearing
 Storage temperature: -40°C to +75°C
 Operating temperature: -10°C to +70°C

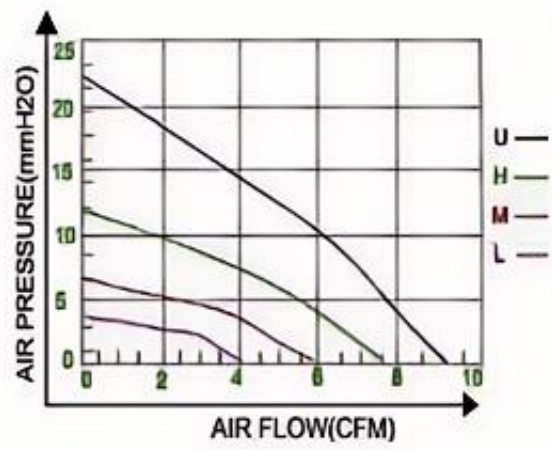
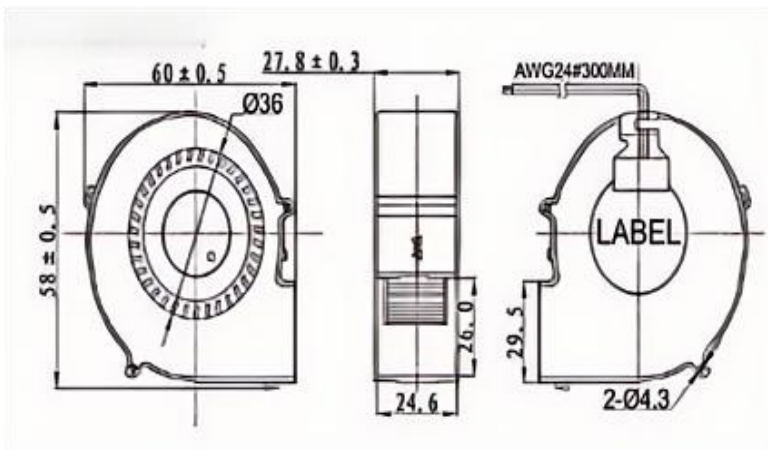


Major Characteristic Parameters



| Model 型号 | Bearing Type 轴承类型 | Rated Voltage 额定电压 | Current 电流 | Speed 转速 | Air Flow 风量 | Pressure 风压 | Noise 噪音 | Weight 重量 |
|--------------|----------------------|-----------------------|---------------|-------------|----------------|--------------------|-------------|--------------|
| | | VDC | A | RPM | CFM | mmH ₂ O | dBA | g |
| BD2460287S/B | S/B | 24 | 0.12 | 5000 | 8.32 | 15.68 | 45.7 | 50 |
| BD2460285S/B | | | 0.08 | 4000 | 6.43 | 11.73 | 38.5 | |
| BD2460283S/B | | | 0.05 | 3000 | 4.88 | 6.21 | 32.2 | |
| BD1260287S/B | | 12 | 0.2 | 5000 | 8.32 | 15.68 | 45.7 | |
| BD1260285S/B | | | 0.12 | 4000 | 6.43 | 11.73 | 38.5 | |
| BD1260283S/B | | | 0.08 | 3000 | 4.88 | 6.21 | 32.2 | |

* B: Two Ball bearing S: Sleeve Bearing * All reading are typical values at rated voltage
 * Function type optional * Specifications are subject to change without notice

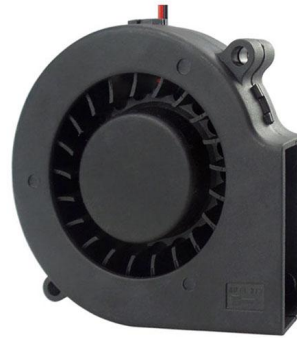




Size: 75*75*15 mm

General Specifications:

Motor: 4 pole brushless DC motor
 Frame: Thermoplastic PBT+30%GF
 Impeller: Thermoplastic PBT+15%GF
 Bearing: Precision Ball Bearing/Sleeve Bearing
 Storage temperature: -40°C to +75°C
 Operating temperature: -10°C to +70°C

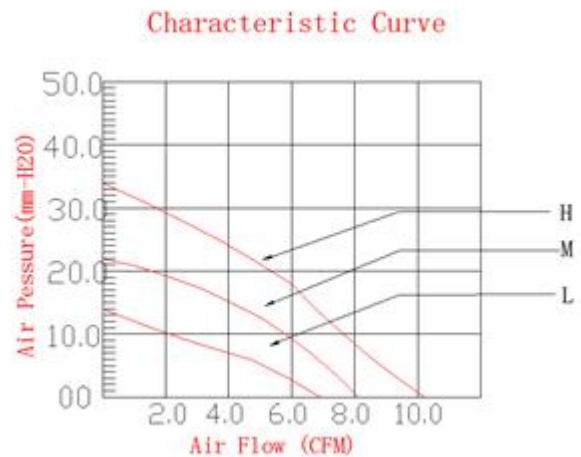
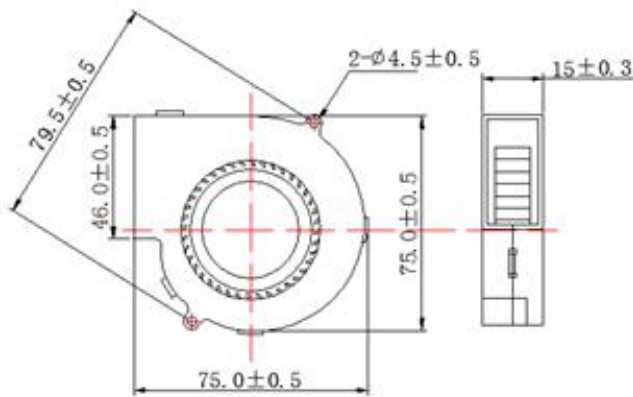


Major Characteristic Parameters



| Model 型号 | Bearing Type 轴承类型 | Rated Voltage | Current | Speed | Air Flow | Pressure | Noise | Weight |
|--------------|----------------------|---------------|---------|-------|----------|--------------------|-------|--------|
| | | 额定电压 | 电流 | 转速 | 风量 | 风压 | 噪音 | 重量 |
| | | VDC | A | RPM | CFM | mmH ₂ O | dBA | g |
| BD2475159S/B | S/B | 24 | 0.25 | 4200 | 9.5 | 29.3 | 47.2 | 50 |
| BD2475157S/B | | | 0.18 | 3800 | 8.1 | 21.5 | 41.8 | |
| BD2475155S/B | | | 0.14 | 3200 | 6.9 | 14.3 | 36.5 | |
| BD2475153S/B | | | 0.09 | 2500 | 5.7 | 9.1 | 29.7 | |
| BD1275159S/B | | 12 | 0.45 | 4200 | 9.5 | 29.3 | 47.2 | |
| BD1275157S/B | | | 0.35 | 3800 | 8.1 | 21.5 | 41.8 | |
| BD1275155S/B | | | 0.23 | 3200 | 6.9 | 14.3 | 36.5 | |
| BD1275153S/B | | | 0.14 | 2500 | 5.7 | 9.1 | 29.7 | |
| BD0575157S/B | | 5 | 0.65 | 3600 | 7.5 | 18.8 | 39.8 | |
| BD0575155S/B | | | 0.45 | 3200 | 6.9 | 14.3 | 36.5 | |
| BD0575153S/B | | | 0.30 | 2500 | 5.7 | 9.1 | 29.7 | |

* B: Two Ball bearing S: Sleeve Bearing * All reading are typical values at rated voltage
 * Function type optional * Specifications are subject to change without notice





Size:75*75*25 mm

General Specifications:

Motor: 4 pole brushless DC motor
 Frame: Thermoplastic PBT+30%GF
 Impeller: Thermoplastic PBT+15%GF
 Bearing: Precision Ball Bearing/Sleeve Bearing
 Storage temperature: -40°C to +75°C
 Operating temperature: -10°C to +70°C

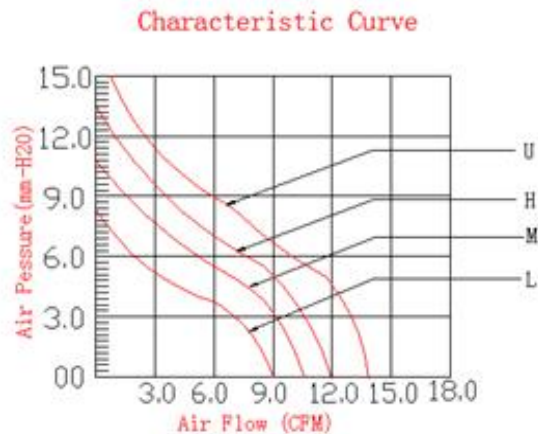
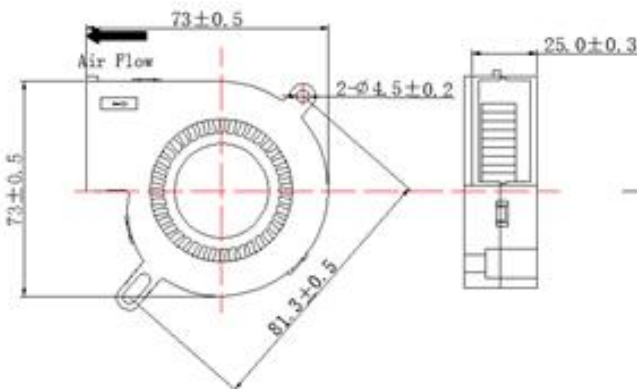


Major Characteristic Parameters



| Model 型号 | Bearing Type 轴承类型 | Rated Voltage 额定电压 | Current 电流 | Speed 转速 | Air Flow 风量 | Pressure 风压 | Noise 噪音 | Weight 重量 |
|--------------|----------------------|-----------------------|---------------|-------------|----------------|--------------------|-------------|--------------|
| | | VDC | A | RPM | CFM | mmH ₂ O | dBA | g |
| BD2475259S/B | S/B | 24 | 0.18 | 4200 | 13.1 | 15.3 | 43.2 | 58 |
| BD2475257S/B | | | 0.15 | 3500 | 12.1 | 14.1 | 39.5 | |
| BD2475255S/B | | | 0.13 | 3000 | 11 | 11.95 | 36.5 | |
| BD2475253S/B | | | 0.09 | 2500 | 9.3 | 7.8 | 31.5 | |
| BD1275259S/B | | 12 | 0.35 | 4200 | 13.1 | 15.3 | 43.2 | |
| BD1275257S/B | | | 0.3 | 3500 | 12.1 | 14.1 | 39.5 | |
| BD1275255S/B | | | 0.26 | 3000 | 11 | 11.95 | 36.5 | |
| BD1275253S/B | | | 0.18 | 2500 | 9.3 | 7.8 | 31.25 | |

* B: Two Ball bearing S: Sleeve Bearing * All reading are typical values at rated voltage
 * Function type optional * Specifications are subject to change without notice





Size:75*75*30mm

General Specifications:

Motor: 4 pole brushless DC motor
 Frame: Thermoplastic PBT+30%GF
 Impeller: Thermoplastic PBT+15%GF
 Bearing: Precision Ball Bearing/Sleeve Bearing
 Storage temperature: -40°C to +75°C
 Operating temperature:-10°C to +70°C

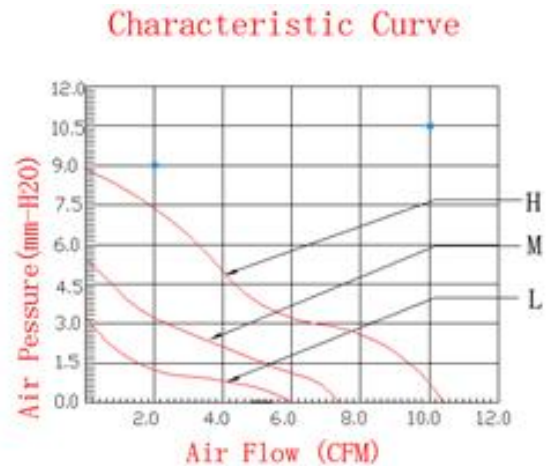
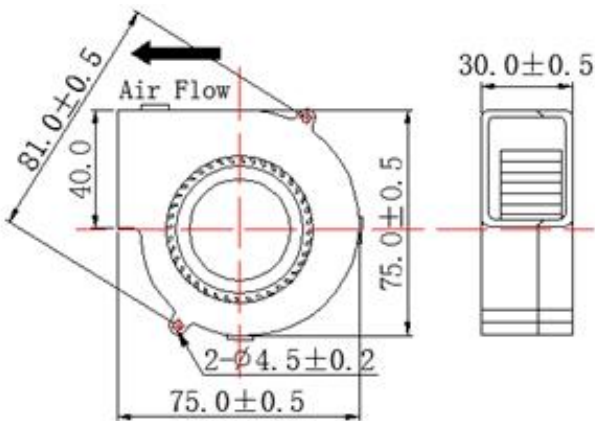


Major Characteristic Parameters



| Model 型号 | Bearing Type 轴承类型 | Rated Voltage | Current | Speed | Air Flow | Pressure | Noise | Weight | |
|--------------|----------------------|---------------|---------|-------|----------|--------------------|-------|--------|------|
| | | 额定电压 | 电流 | 转速 | 风量 | 风压 | 噪音 | 重量 | |
| | | VDC | A | RPM | CFM | mmH ₂ O | dBA | g | |
| BD2475309S/B | S/B | 24 | 0.30 | 4200 | 13.4 | 11.57 | 40.0 | 76 | |
| BD2475307S/B | | | 0.16 | 3000 | 10.3 | 8.89 | 38.5 | | |
| BD2475305S/B | | | 0.13 | 2500 | 7.5 | 5.35 | 33.6 | | |
| BD2475303S/B | | | 0.10 | 2000 | 6.0 | 3.42 | 26.8 | | |
| BD1275309S/B | | 12 | 0.50 | 4200 | 13.4 | 11.57 | 40.0 | | |
| BD1275307S/B | | | 0.32 | 3000 | 10.3 | 8.89 | 38.5 | | |
| BD1275305S/B | | | 0.20 | 2500 | 7.5 | 5.35 | 33.6 | | |
| BD1275303S/B | | | 0.16 | 2000 | 6.0 | 3.42 | 26.8 | | |
| BD0575307S/B | | 5 | 5 | 0.50 | 3000 | 10.3 | 8.89 | | 38.5 |
| BD0575305S/B | | | | 0.28 | 2500 | 7.5 | 5.35 | | 33.6 |
| BD0575303S/B | | | | 0.18 | 2000 | 6.0 | 3.42 | | 26.8 |

* B: Two Ball bearing S: Sleeve Bearing * All reading are typical values at rated voltage
 * Function type optional * Specifications are subject to change without notice





Size: 93*93*30 mm

General Specifications:

Motor: 4 pole brushless DC motor
 Frame: Thermoplastic PBT+30%GF
 Impeller: Thermoplastic PBT+15%GF
 Bearing: Precision Ball Bearing/Sleeve Bearing
 Storage temperature: -40°C to +75°C
 Operating temperature: -10°C to +70°C



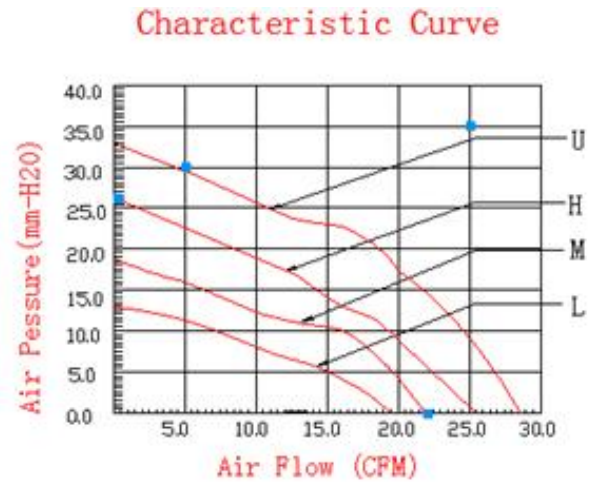
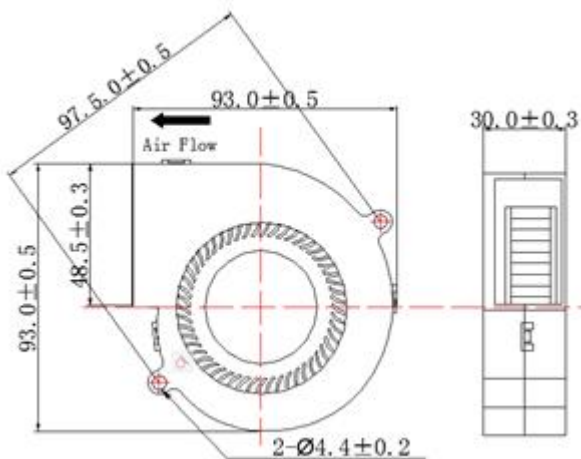
Major Characteristic Parameters



| Model 型号 | Bearing Type 轴承类型 | Rated Voltage | Current | Speed | Air Flow | Pressure | Noise | Weight |
|--------------|----------------------|---------------|---------|-------|----------|--------------------|-------|--------|
| | | 额定电压 | 电流 | 转速 | 风量 | 风压 | 噪音 | 重量 |
| | | VDC | A | RPM | CFM | mmH ₂ O | dBA | g |
| BD2493309S/B | S/B | 24 | 0.60 | 4000 | 28.25 | 33.0 | 52.1 | 140 |
| BD2493307S/B | | | 0.45 | 3600 | 25.43 | 25.4 | 49.1 | |
| BD2493305S/B | | | 0.28 | 3200 | 22.60 | 19.0 | 46.0 | |
| BD2493303S/B | | | 0.16 | 2700 | 19.07 | 12.7 | 41.9 | |
| BD1293309S/B | | 12 | 1.10 | 4000 | 28.25 | 33.0 | 52.1 | |
| BD1293307S/B | | | 0.80 | 3600 | 25.43 | 25.4 | 49.1 | |
| BD1293305S/B | | | 0.57 | 3200 | 22.60 | 19.0 | 46.0 | |
| BD1293303S/B | | | 0.32 | 2700 | 19.07 | 12.7 | 41.9 | |

* B: Two Ball bearing S: Sleeve Bearing * All reading are typical values at rated voltage

* Function type optional * Specifications are subject to change without notice





Size:97*94*33 mm

General Specifications:

Motor: 4 pole brushless DC motor
 Frame: Thermoplastic PBT+30%GF
 Impeller: Thermoplastic PBT+15%GF
 Bearing: Precision Ball Bearing/Sleeve Bearing
 Storage temperature: -40°C to +75°C
 Operating temperature: -10°C to +70°C

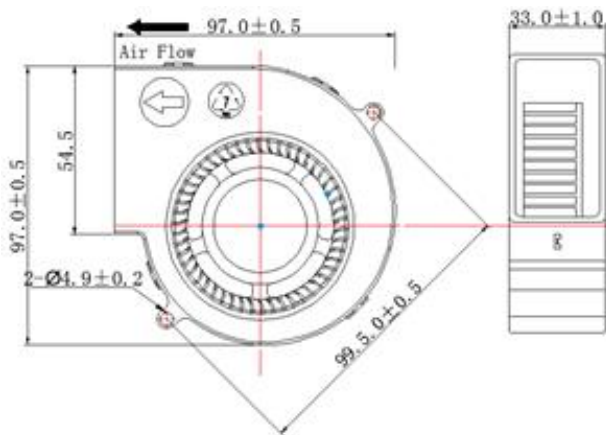


Major Characteristic Parameters

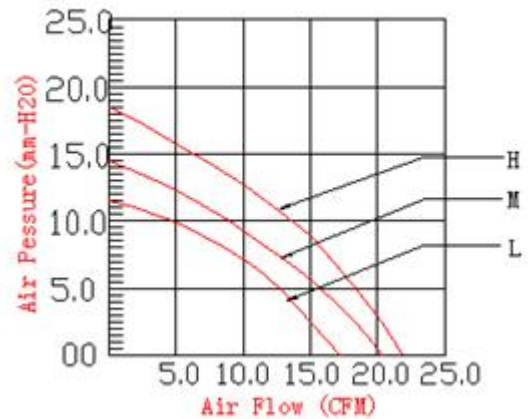


| Model 型号 | Bearing Type 轴承类型 | Rated Voltage 额定电压 | Current 电流 | Speed 转速 | Air Flow 风量 | Pressure 风压 | Noise 噪音 | Weight 重量 | |
|--------------|----------------------|-----------------------|---------------|-------------|----------------|--------------------|-------------|--------------|-------|
| | | VDC | A | RPM | CFM | mmH ₂ O | dBA | g | |
| BD2497339S/B | S/B | 24 | 0.48 | 5000 | 27.57 | 26.30 | 53.40 | 146 | |
| BD2497337S/B | | | 0.37 | 4000 | 23.22 | 20.60 | 45.45 | | |
| BD2497335S/B | | | 0.15 | 3000 | 18.87 | 16.74 | 36.90 | | |
| BD2497333S/B | | | 0.08 | 2000 | 13.20 | 6.80 | 27.60 | | |
| BD1297339S/B | | 12 | 12 | 0.96 | 5000 | 27.57 | 26.30 | | 53.40 |
| BD1297337S/B | | | | 0.65 | 4000 | 23.22 | 20.60 | | 45.45 |
| BD1297335S/B | | | | 0.30 | 3000 | 18.87 | 16.74 | | 36.90 |
| BD1297333S/B | | | | 0.15 | 2000 | 13.20 | 6.80 | | 27.60 |

* B: Two Ball bearing S: Sleeve Bearing * All reading are typical values at rated voltage
 * Function type optional * Specifications are subject to change without notice



Characteristic Curve

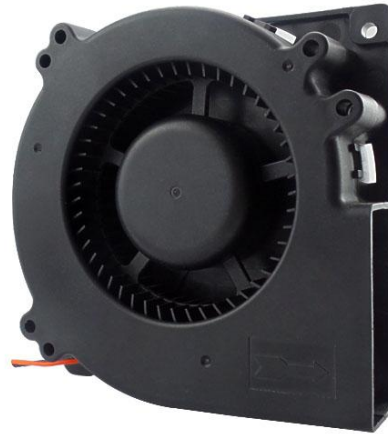




Size:120*120*32mm

General Specifications:

Motor: 4 pole brushless DC motor
 Frame: Thermoplastic PBT+30%GF
 Impeller: Thermoplastic PBT+15%GF
 Bearing: Precision Ball Bearing/Sleeve Bearing
 Storage temperature: -40°C to +75°C
 Operating temperature:-10°C to +70°C

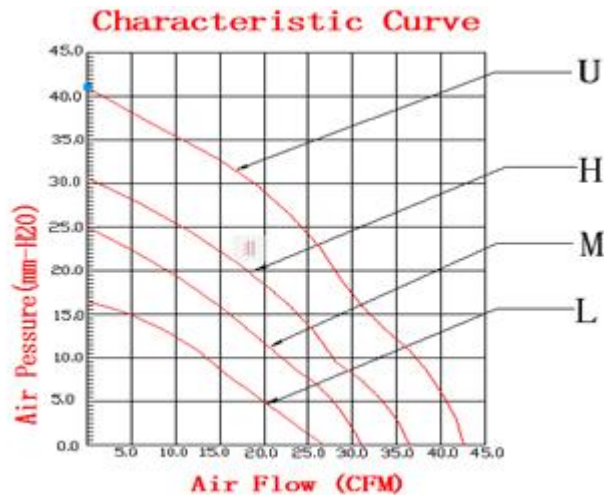
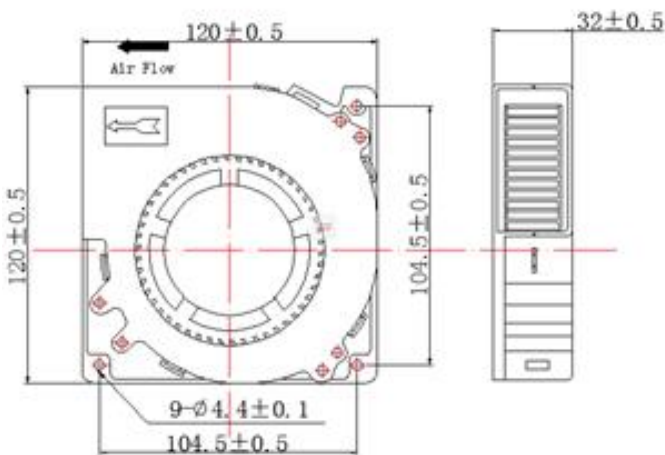


Major Characteristic Parameters



| Model 型号 | Bearing Type 轴承类型 | Rated Voltage 额定电压 | Current 电流 | Speed 转速 | Air Flow 风量 | Pressure 风压 | Noise 噪音 | Weight 重量 |
|--------------|----------------------|-----------------------|---------------|-------------|----------------|--------------------|-------------|--------------|
| | | VDC | A | RPM | CFM | mmH ₂ O | dBA | g |
| BD2412329S/B | S/B | 24 | 0.50 | 2800 | 42.45 | 41.10 | 61.3 | 240 |
| BD2412327S/B | | | 0.35 | 2400 | 36.38 | 30.26 | 52.4 | |
| BD2412325S/B | | | 0.20 | 2100 | 31.83 | 25.10 | 45.8 | |
| BD2412323S/B | | | 0.12 | 1700 | 25.40 | 16.21 | 38.3 | |
| BD1212329S/B | | 12 | 0.80 | 2800 | 42.45 | 41.10 | 61.3 | |
| BD1212327S/B | | | 0.60 | 2400 | 36.38 | 30.26 | 52.4 | |
| BD1212325S/B | | | 0.35 | 2100 | 31.83 | 25.10 | 45.8 | |
| BD1212323S/B | | | 0.25 | 1700 | 25.40 | 16.21 | 38.3 | |

* B: Two Ball bearing S: Sleeve Bearing * All reading are typical values at rated voltage
 * Function type optional * Specifications are subject to change without notice





Size: 130*130*40 mm

General Specifications:

Motor: 4 pole brushless DC motor
 Frame: Thermoplastic PBT+30%GF
 Impeller: Thermoplastic PBT+15%GF
 Bearing: Precision Ball Bearing/Sleeve Bearing
 Storage temperature: -40°C to +75°C
 Operating temperature: -10°C to +70°C

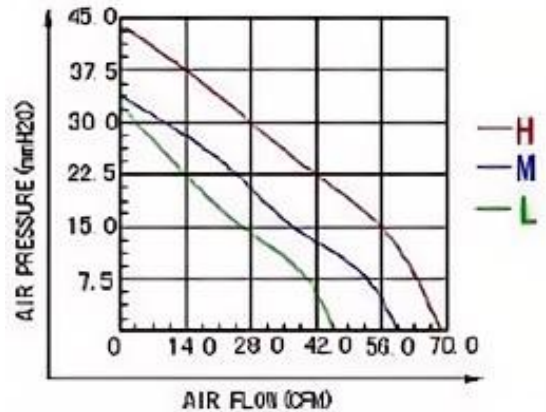
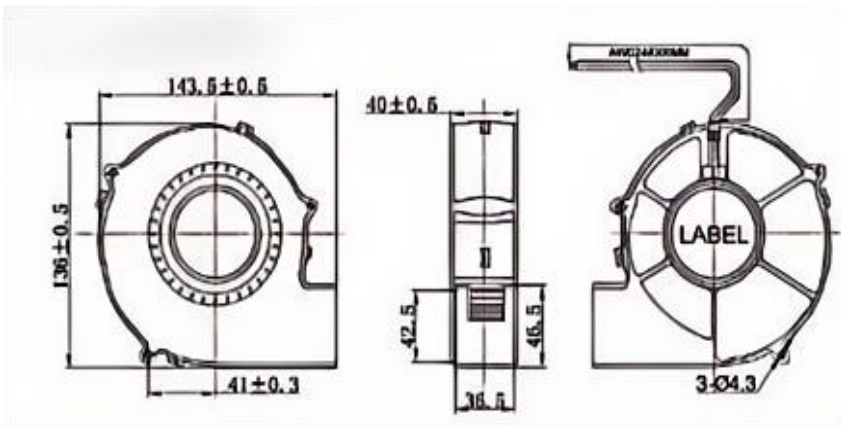


Major Characteristic Parameters



| Model 型号 | Bearing Type 轴承类型 | Rated Voltage 额定电压 | Current 电流 | Speed 转速 | Air Flow 风量 | Pressure 风压 | Noise 噪音 | Weight 重量 |
|--------------|----------------------|-----------------------|---------------|-------------|----------------|--------------------|-------------|--------------|
| | | VDC | A | RPM | CFM | mmH ₂ O | dBA | g |
| BD4813407S/B | S/B | 48 | 0.25 | 2200 | 45.8 | 32.8 | 48.1 | 240 |
| BD4813405S/B | | | 0.32 | 2500 | 59.3 | 39.6 | 56.5 | |
| BD4813403S/B | | | 0.45 | 2800 | 68.6 | 44.4 | 64.4 | |
| BD2413407S/B | | 24 | 0.40 | 2200 | 45.8 | 32.8 | 48.1 | |
| BD2413405S/B | | | 0.55 | 2500 | 59.3 | 39.6 | 56.5 | |
| BD2413403S/B | | | 0.70 | 2800 | 68.6 | 44.4 | 64.4 | |
| BD1213407S/B | | 12 | 0.60 | 2200 | 45.8 | 32.8 | 48.1 | |
| BD1213405S/B | | | 0.90 | 2500 | 59.3 | 39.6 | 56.5 | |
| BD1213403S/B | | | 1.20 | 2800 | 68.6 | 44.4 | 64.4 | |

* B: Two Ball bearing S: Sleeve Bearing * All reading are typical values at rated voltage
 * Function type optional * Specifications are subject to change without notice





AC Axial FAN

Size: 60*60*30 mm

General Specifications:

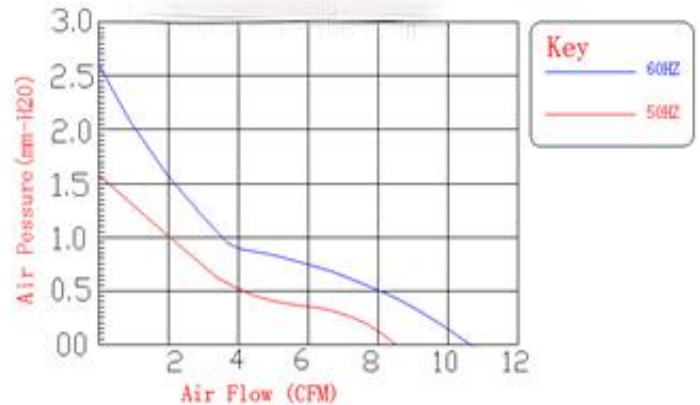
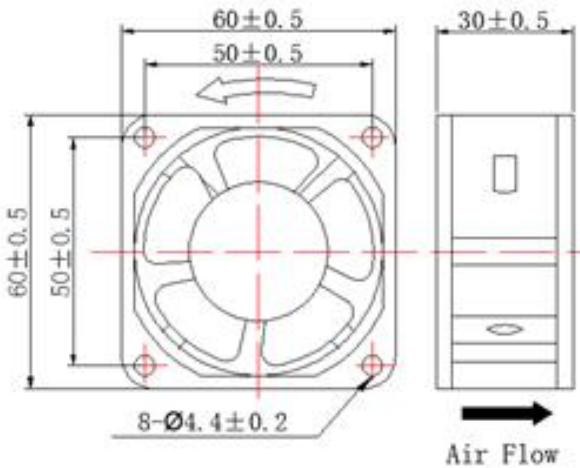
- Die-cast aluminum housing
- Metal impeller or Class fiber reinforced plastic:
Impeller are UL 94V-0 rating
- Shaded pole motor
- Impedance protected
- Bearing: Precision Ball Bearing/Sleeve Bearing
- Storage temperature: -40°C to +75°C
- Operating temperature: -10°C to +70°C



Specifications

| Model 型号 | Bearing System 培林 | Rated Voltage (V) 电压 | Freq (Hz) 频率 | Current (A) 电流 | Input Power (W) 功率 | Speed (RPM) 转速 | Air Flow (CFM) 风量 | Static Pressure (mm-H ₂ O) 静压 | Noise Level (dB-A) 噪音 | Weight (g) 重量 |
|-------------|----------------------|-------------------------|-----------------|-------------------|-----------------------|-------------------|----------------------|---|--------------------------|------------------|
| 6030HB1 | Ball | 110 | 50/60 | 0.04/0.03 | 5/4 | 2500/3000 | 7.9/10.0 | 1.6/2.7 | 26/27 | 145 |
| 6030HB2 | | 230 | 50/60 | 0.02/0.02 | 5/4 | 2500/3000 | 7.9/10.0 | 1.6/2.7 | 26/27 | |

* B: Two Ball bearing S: Sleeve Bearing * All reading are typical values at rated voltage
 * Function type optional * Specifications are subject to change without notice





Size:80*80*25 mm

General Specifications:

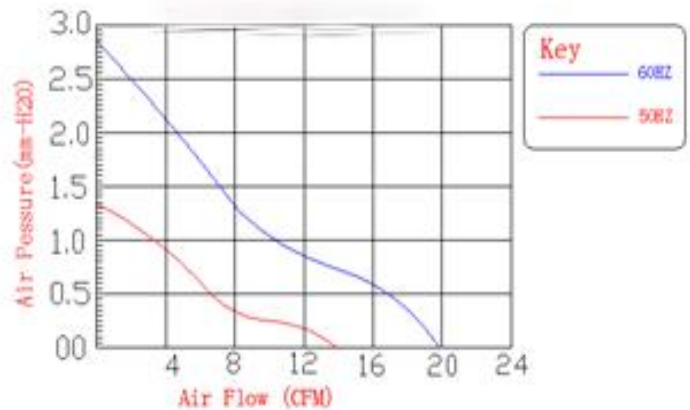
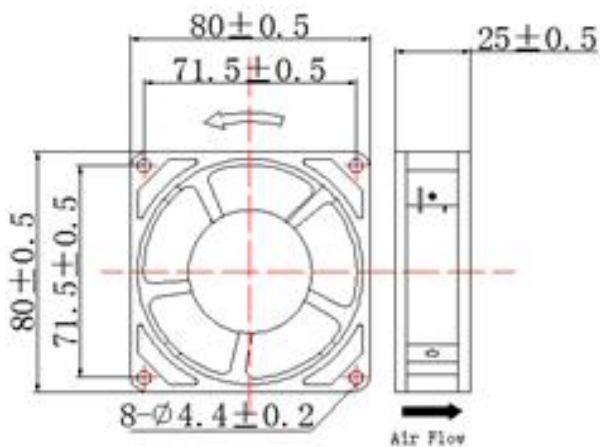
- Die-cast aluminum housing
- Metal impeller or Class fiber reinforced plastic:
Impeller are UL 94V-0 rating
- Shaded pole motor
- Impedance protected
- Bearing: Precision Ball Bearing/Sleeve Bearing
- Storage temperature: -40°C to +75°C
- Operating temperature:-10°C to +70°C



Specifications

| Model 型号 | Bearing System 轴承 | Rated Voltage (V) 电压 | Freq. (Hz) 频率 | Current (A) 电流 | Input Power (W) 功率 | Speed (RPM) 转速 | Air Flow (CFM) 风量 | Static Pressure (mm-H ₂ O) 静压 | Noise Level (dB-A) 噪音 | Weight (g) 重量 |
|-------------|----------------------|-------------------------|------------------|-------------------|-----------------------|-------------------|----------------------|---|--------------------------|------------------|
| 8025HS/B1 | Sleeve/Ball | 110 | 50/60 | 0.13/0.11 | 17.0/15.0 | 2600/3000 | 21/24 | 4.0/5.5 | 28.2/33 | 240 |
| 8025MS/B1 | | 110 | 50/60 | 0.11/0.10 | 13.0/10.0 | 2300/2600 | 18/21 | 2.9/3.4 | 28.2/33 | |
| 8025HS/B2 | | 220 | 50/60 | 0.09/0.08 | 17.0/15.0 | 2600/3000 | 21/24 | 4.0/5.5 | 28.2/33 | |
| 8025MS/B2 | | 220 | 50/60 | 0.06/0.05 | 13.0/10.0 | 2300/2600 | 18/21 | 2.9/3.4 | 28.2/33 | |

* B: Two Ball bearing S: Sleeve Bearing * All reading are typical values at rated voltage
 * Function type optional * Specifications are subject to change without notice





Size: 80*80*38 mm

General Specifications:

- Die-cast aluminum housing
- Metal impeller or Class fiber reinforced plastic:
Impeller are UL 94V-0 rating
- Shaded pole motor
- Impedance protected
- Bearing: Precision Ball Bearing/Sleeve Bearing
- Storage temperature: -40°C to +75°C
- Operating temperature: -10°C to +70°C



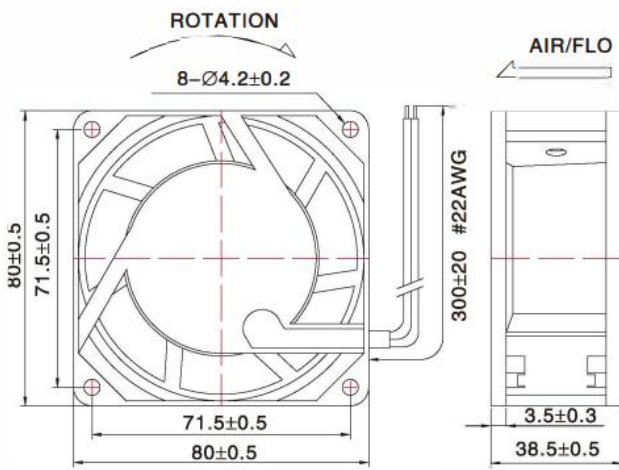
Specifications

| Model 型号 | Bearing System 轴承 | Rated Voltage (V) 电压 | Freq (Hz) 频率 | Current (A) 电流 | Input Power (W) 功率 | Speed (RPM) 转速 | Air Flow (CFM) 风量 | Static Pressure (mm-H ₂ O) 静压 | Noise Level (dB-A) 噪音 | Weight (g) 重量 |
|-------------|----------------------|-------------------------|-----------------|-------------------|-----------------------|-------------------|----------------------|---|--------------------------|------------------|
| 8038HS/B1 | Sleeve/Ball | 110 | 50/60 | 0.15/0.13 | 17.0/15.0 | 2400/2900 | 23/28 | 2.8/4.4 | 34/36 | 300 |
| 8038MS/B1 | | 110 | 50/60 | 0.10/0.11 | 13.0/10.0 | 1900/2400 | 20/23 | 2.0/2.2 | 27/34 | |
| 8038HS/B2 | | 220 | 50/60 | 0.08/0.06 | 17.0/15.0 | 2400/2900 | 23/28 | 2.8/4.4 | 34/36 | |
| 8038MS/B2 | | 220 | 50/60 | 0.06/0.05 | 13.0/10.0 | 1900/2400 | 20/23 | 2.0/2.2 | 27/34 | |

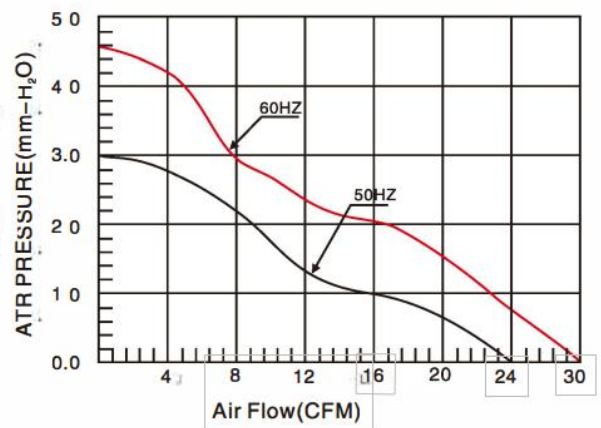
* B: Two Ball bearing S: Sleeve Bearing * All reading are typical values at rated voltage

* Function type optional * Specifications are subject to change without notice

★Dimensions Drawing(外观图)



★Characteristic Curves(特性曲线)





Size:92*92*25mm

General Specifications:

- Die-cast aluminum housing
- Metal impeller or Class fiber reinforced plastic:
Impeller are UL 94V-0 rating
- Shaded pole motor
- Impedance protected
- Bearing: Precision Ball Bearing/Sleeve Bearing
- Storage temperature: -40°C to +75°C
- Operating temperature:-10°C to +70°C



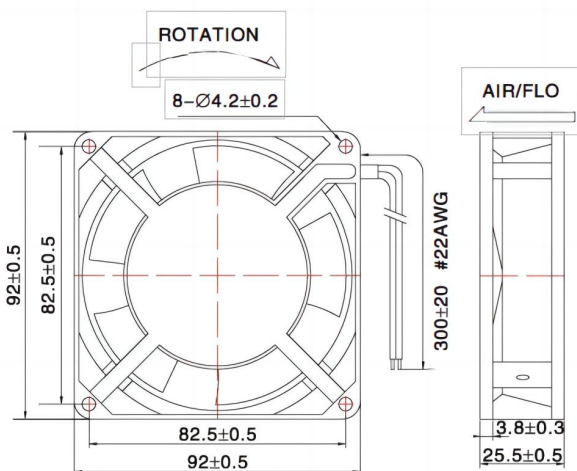
Specifications

| Model 型号 | Bearing System 轴承 | Rated Voltage (V) 电压 | Freq. (Hz) 频率 | Current (A) 电流 | Input Power (W) 功率 | Speed (RPM) 转速 | Air Flow (CFM) 风量 | Static Pressure (mm-Ho) 静压 | Noise Level (dB-A) 噪音 | Weight (g) 重量 |
|-------------|----------------------|-------------------------|------------------|-------------------|-----------------------|-------------------|----------------------|-------------------------------|--------------------------|------------------|
| 9225HS/B1 | Sleeve/Ball | 110 | 50/60 | 0.15/0.13 | 17.0/15.0 | 2500/3000 | 24/29 | 4.5/6.5 | 33/35 | 280 |
| 9225MS/B1 | | 110 | 50/60 | 0.11/0.10 | 13.0/10.0 | 2200/2600 | 21/25 | 3.0/3.3 | 29/33 | |
| 9225HS/B2 | | 220 | 50/60 | 0.09/0.08 | 17.0/15.0 | 2500/3000 | 24/29 | 4.5/6.5 | 33/35 | |
| 9225MS/B2 | | 220 | 50/60 | 0.06/0.05 | 13.0/10.0 | 2200/2600 | 21/25 | 3.0/3.3 | 29/33 | |

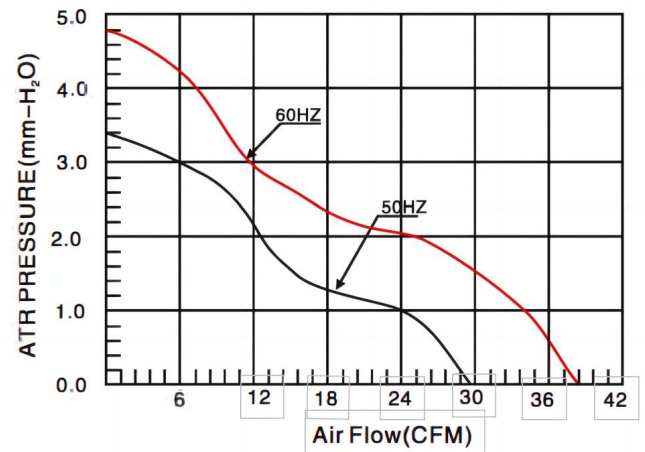
* B: Two Ball bearing S: Sleeve Bearing * All reading are typical values at rated voltage

* Function type optional * Specifications are subject to change without notice

★Dimensions Drawing(外观图)



★Characteristic Curves(特性曲线)





Size:92*92*38mm

General Specifications:

- Die-cast aluminum housing
- Metal impeller or Class fiber reinforced plastic:
Impeller are UL 94V-0 rating
- Shaded pole motor
- Impedance protected
- Bearing: Precision Ball Bearing/Sleeve Bearing
- Storage temperature: -40°C to +75°C
- Operating temperature:-10°C to +70°C



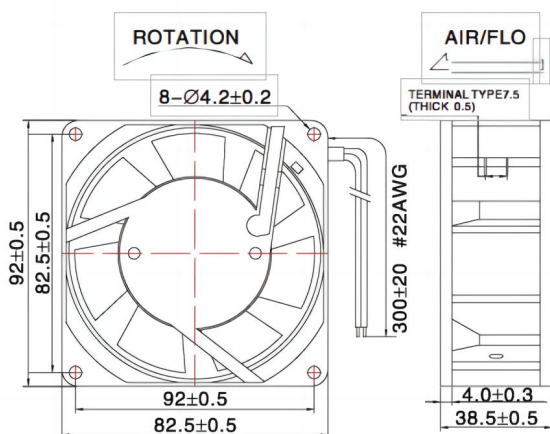
Specifications

| Model 型号 | Bearing System 轴承 | Rated Voltage (V) 电压 | Freq. (Hz) 频率 | Current (A) 电流 | Input Power (W) 功率 | Speed (RPM) 转速 | Air Flow (CFM) 风量 | Static Pressure (mm-H ₂ O) 静压 | Noise Level (dB-A) 噪音 | Weight (g) 重量 |
|-------------|----------------------|-------------------------|------------------|-------------------|-----------------------|-------------------|----------------------|---|--------------------------|------------------|
| 9238HS/B1 | Sleeve/Ball | 110 | 50/60 | 0.15/0.13 | 17.0/15.0 | 2400/2800 | 39/46 | 3.60/5.20 | 34/36 | 340 |
| 9238MS/B1 | | 110 | 50/60 | 0.11/0.10 | 13.0/10.0 | 1900/2400 | 35/39 | 2.90/3.20 | 27/34 | |
| 9238HS/B2 | | 220 | 50/60 | 0.08/0.07 | 17.0/15.0 | 2400/2800 | 39/46 | 3.60/5.20 | 34/36 | |
| 9238MS/B2 | | 220 | 50/60 | 0.06/0.05 | 13.0/10.0 | 1900/2400 | 35/39 | 2.90/3.20 | 27/34 | |

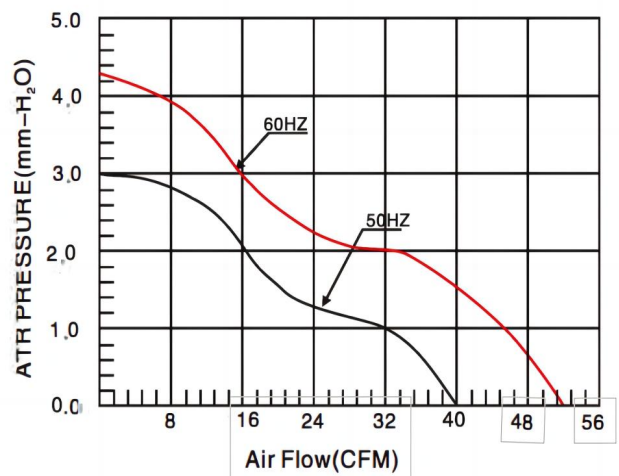
* B: Two Ball bearing S: Sleeve Bearing * All reading are typical values at rated voltage

* Function type optional * Specifications are subject to change without notice

★ Dimensions Drawing(外观图)



★ Characteristic Curves(特性曲线)





Size: 110*110*25mm

General Specifications:

- Die-cast aluminum housing
- Metal impeller or Class fiber reinforced plastic:
Impeller are UL 94V-0 rating
- Shaded pole motor
- Impedance protected
- Bearing: Precision Ball Bearing/Sleeve Bearing
- Storage temperature: -40°C to +75°C
- Operating temperature: -10°C to +70°C



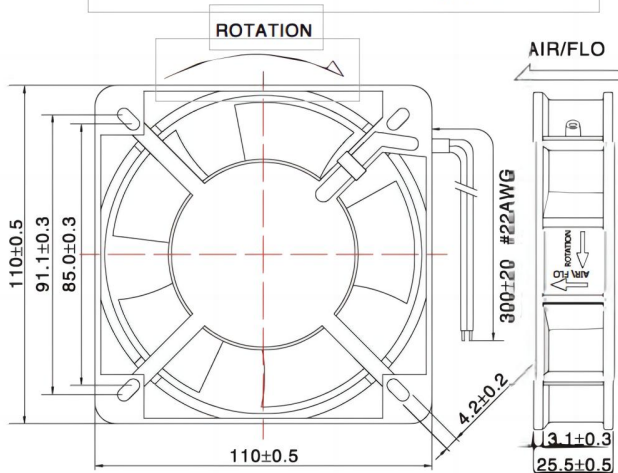
Specifications

| Model 型号 | Bearing System 轴承 | Rated Voltage (V) 电压 | Freq. (Hz) 频率 | Current (A) 电流 | Input Power (W) 功率 | Speed (RPM) 转速 | Air Flow (CFM) 风量 | Static Pressure (mm-H ₂ O) 静压 | Noise Level (dB-A) 噪音 | Weight (g) 重量 |
|-------------|----------------------|-------------------------|------------------|-------------------|-----------------------|-------------------|----------------------|---|--------------------------|------------------|
| 11025HS/B1 | Sleeve/Ball | 110 | 50/60 | 0.15/0.14 | 17.0/15.0 | 2300/2700 | 39/45 | 3.90/4.10 | 35/37 | 300 |
| 11025MS/B1 | | 110 | 50/60 | 0.11/0.10 | 12.0/10.0 | 1800/2400 | 30/37 | 2.20/2.50 | 30/35 | |
| 11025HS/B2 | | 220 | 50/60 | 0.11/0.09 | 17.0/15.0 | 2300/2700 | 39/45 | 3.90/4.10 | 35/37 | |
| 11025MS/B2 | | 220 | 50/60 | 0.19/0.07 | 12.0/10.0 | 1800/2400 | 30/37 | 2.20/2.50 | 30/35 | |

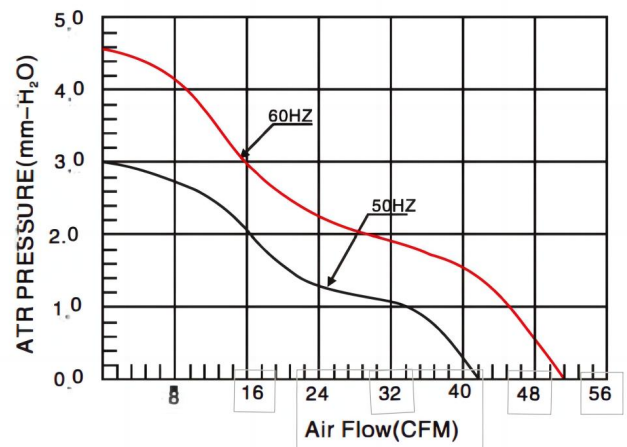
* B: Two Ball bearing S: Sleeve Bearing * All reading are typical values at rated voltage

* Function type optional * Specifications are subject to change without notice

★ Dimensions Drawing (外观图)



★ Characteristic Curves (特性曲线)





Size:120*120*25mm

General Specifications:

- Die-cast aluminum housing
- Metal impeller or Class fiber reinforced plastic:
Impeller are UL 94V-0 rating
- Shaded pole motor
- Impedance protected
- Bearing: Precision Ball Bearing/Sleeve Bearing
- Storage temperature: -40°C to +75°C
- Operating temperature: -10°C to +70°C



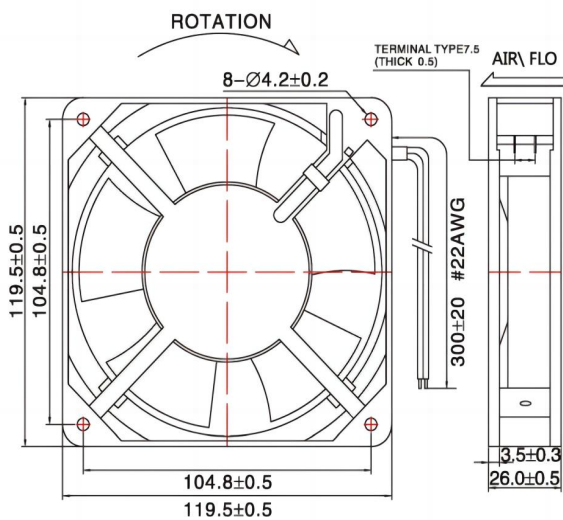
Specifications

| Model 型号 | Bearing System 轴承 | Rated Voltage (V) 电压 | Freq. (Hz) 频率 | Current (A) 电流 | Input Power (W) 功率 | Speed (RPM) 转速 | Air Flow (CFM) 风量 | Static Pressure (mm-H ₂ O) 静压 | Noise Level (dB-A) 噪音 | Weight (g) 重量 |
|-------------|----------------------|-------------------------|------------------|-------------------|-----------------------|-------------------|----------------------|---|--------------------------|------------------|
| 12025HS/B1 | Sleeve/Ball | 110 | 50/60 | 0.15/0.14 | 13.0/11.0 | 2300/2700 | 35/37 | 3.80/5.0 | 36/38 | 320 |
| 12025MS/B1 | | 110 | 50/60 | 0.11/0.10 | 13.0/11.0 | 1800/2400 | 30/35 | 1.80/2.0 | 30/36 | |
| 12025HS/B2 | | 220 | 50/60 | 0.09/0.08 | 18.0/14.0 | 2300/2700 | 35/37 | 3.80/5.0 | 36/38 | |
| 12025MS/B2 | | 220 | 50/60 | 0.06/0.05 | 18.0/14.0 | 1800/2400 | 30/35 | 1.80/2.0 | 30/36 | |

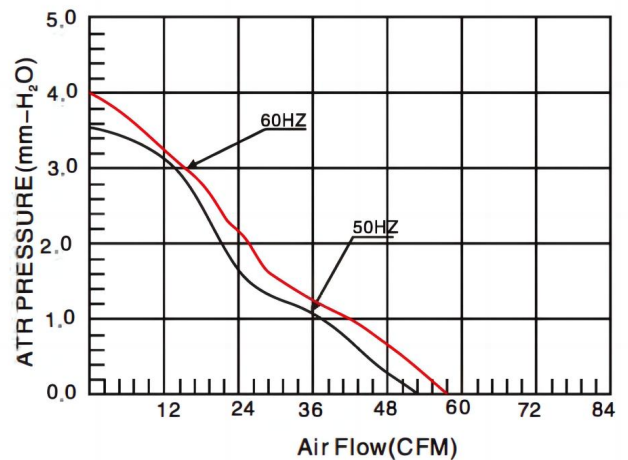
* B: Two Ball bearing S: Sleeve Bearing * All reading are typical values at rated voltage

* Function type optional * Specifications are subject to change without notice

★Dimensions Drawing(外观图)



★Characteristic Curves(特性曲线)





Size:120*120*38mm

General Specifications:

- Die-cast aluminum housing
- Metal impeller or Class fiber reinforced plastic:
Impeller are UL 94V-0 rating
- Shaded pole motor
- Impedance protected
- Bearing: Precision Ball Bearing/Sleeve Bearing
- Storage temperature: -40°C to +75°C
- Operating temperature: -10°C to +70°C

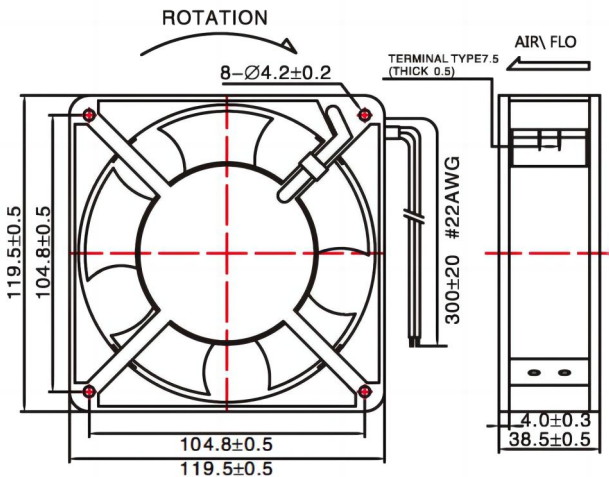


Specifications

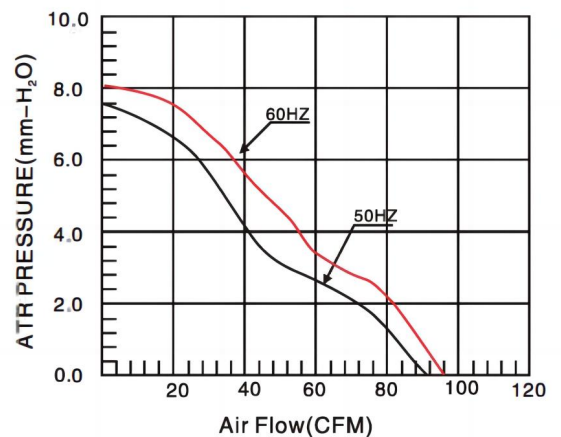
| Model 型号 | Bearing System 轴承 | Rated Voltage (V) 电压 | Freq. (Hz) 频率 | Current (A) 电流 | Input Power (W) 功率 | Speed (RPM) 转速 | Air Flow (CFM) 风量 | Static Pressure (mm-H ₂ O) 静压 | Noise Level (dB-A) 噪音 | Weight (g) 重量 |
|-------------|----------------------|----------------------------|---------------------|----------------------|--------------------------|----------------------|-------------------------|--|-----------------------------|---------------------|
| 12038HS/B1 | Sleeve/Ball | 110 | 50/60 | 0.24/0.22 | 23.0/21.0 | 2600/3000 | 80/91 | 6.80/8.50 | 42/46 | 480 |
| 12038MS/B1 | | 110 | 50/60 | 0.15/0.14 | 17.0/14.0 | 2400/2700 | 72/83 | 5.10/6.80 | 39/42 | |
| 12038LS/B1 | | 110 | 50/60 | 0.11/0.10 | 10.0/9.0 | 2100/2400 | 66/72 | 3.20/5.10 | 35/39 | |
| 12038HS/B2 | | 220 | 50/60 | 0.24/0.22 | 23.0/21.0 | 2600/3000 | 80/91 | 6.80/8.50 | 42/46 | |
| 12038MS/B2 | | 220 | 50/60 | 0.15/0.14 | 17.0/14.0 | 2400/2700 | 72/83 | 5.10/6.80 | 39/42 | |
| 12038LS/B2 | | 220 | 50/60 | 0.11/0.10 | 10.0/9.0 | 2100/2400 | 33/72 | 3.20/5.10 | 35/39 | |
| 12038HS/B3 | | 380 | 50/60 | 0.07/0.06 | 23.0/21.0 | 2600/3000 | 80/91 | 6.80/8.50 | 42/46 | |

* B: Two Ball bearing S: Sleeve Bearing * All reading are typical values at rated voltage
 * Function type optional * Specifications are subject to change without notice

★Dimensions Drawing(外观图)



★Characteristic Curves(特性曲线)





Size:120*120*38mm-7 Impellers

General Specifications:

- Die-cast aluminum housing
- Metal impeller or Class fiber reinforced plastic:
Impeller are UL 94V-0 rating
- Shaded pole motor
- Impedance protected
- Bearing: Precision Ball Bearing/Sleeve Bearing
- Storage temperature: -40°C to +75°C
- Operating temperature:-10°C to +70°C



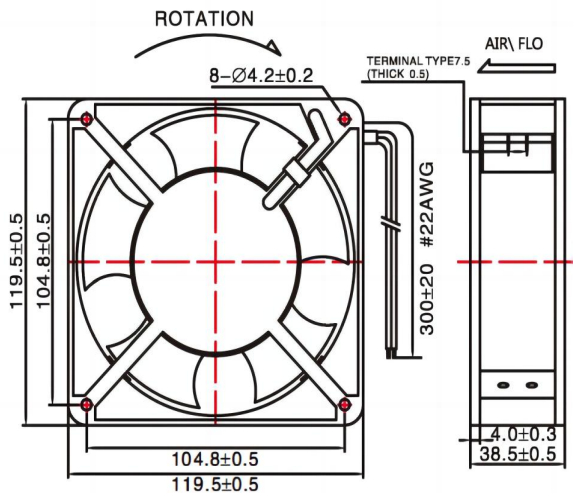
Specifications

| Model 型号 | Bearing System 轴承 | Rated Voltage (V) 电压 | Freq. (Hz) 频率 | Current (A) 电流 | Input Power (W) 功率 | Speed (RPM) 转速 | Air Flow (CFM) 风量 | Static Pressure (mm-H ₂ O) 静压 | Noise Level (dB-A) 噪音 | Weight (g) 重量 |
|-------------|----------------------|-------------------------|------------------|-------------------|-----------------------|-------------------|----------------------|---|--------------------------|------------------|
| 12038HS/B1 | Sleeve/Ball | 110 | 50/60 | 0.24/0.22 | 23.0/21.0 | 2600/3000 | 95/115 | 7.80/8.80 | 44/48 | 480 |
| 12038MS/B1 | | 110 | 50/60 | 0.15/0.14 | 17.0/14.0 | 2400/2700 | 80/91 | 6.80/8.50 | 42/46 | |
| 12038LS/B1 | | 110 | 50/60 | 0.11/0.10 | 10.0/9.0 | 2100/2400 | 72/83 | 5.20/6.80 | 39/42 | |
| 12038HS/B2 | | 220 | 50/60 | 0.24/0.22 | 23.0/21.0 | 2600/3000 | 95/115 | 7.80/8.80 | 44/48 | |
| 12038MS/B2 | | 220 | 50/60 | 0.15/0.14 | 17.0/14.0 | 2400/2700 | 80/91 | 6.80/8.50 | 42/46 | |
| 12038LS/B2 | | 220 | 50/60 | 0.11/0.10 | 10.0/9.0 | 2100/2400 | 72/83 | 5.20/6.80 | 39/42 | |
| 12038HS/B3 | | 380 | 50/60 | 0.07/0.06 | 23.0/21.0 | 2600/3000 | 80/91 | 6.80/8.50 | 44/48 | |

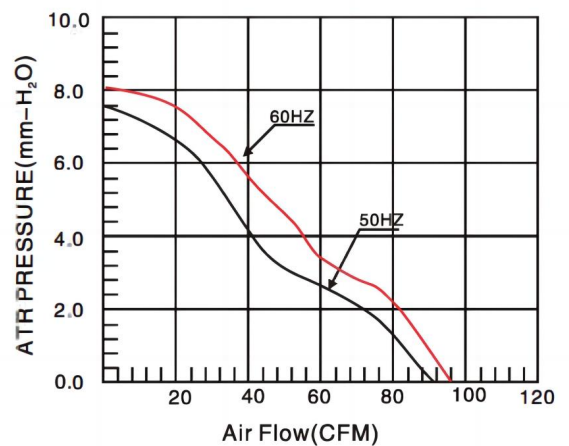
* B: Two Ball bearing S: Sleeve Bearing * All reading are typical values at rated voltage

* Function type optional * Specifications are subject to change without notice

★Dimensions Drawing(外观图)



★Characteristic Curves(特性曲线)





Size:135*135*38 mm

General Specifications:

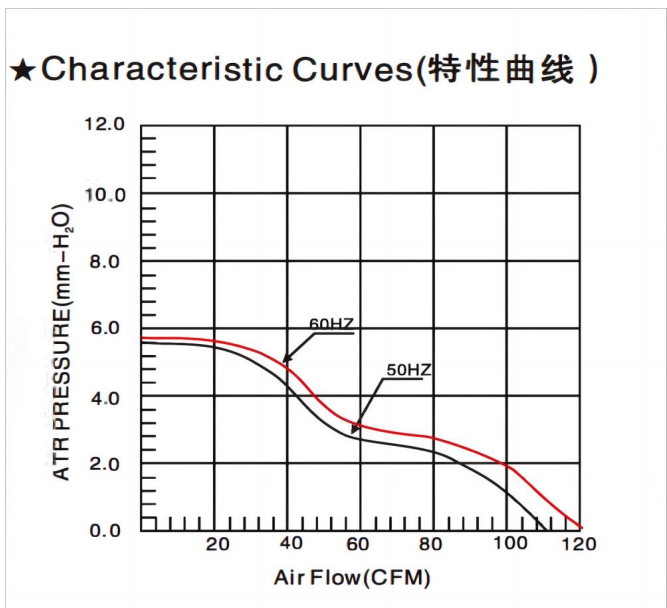
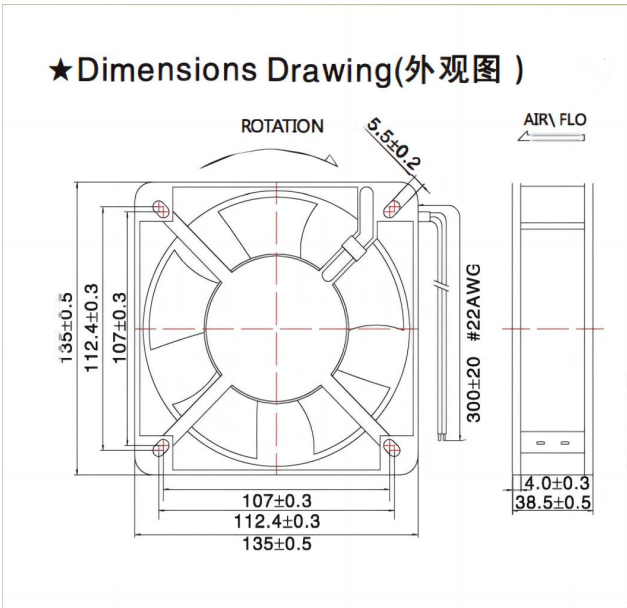
- Die-cast aluminum housing
- Metal impeller or Class fiber reinforced plastic:
Impeller are UL 94V-0 rating
- Shaded pole motor
- Impedance protected
- Bearing: Precision Ball Bearing/Sleeve Bearing
- Storage temperature: -40°C to +75°C
- Operating temperature:-10°C to +70°C



Specifications

| Model 型号 | Bearing System 轴承 | Rated Voltage (V) 电压 | Freq. (Hz) 频率 | Current (A) 电流 | Input Power (W) 功率 | Speed (RPM) 转速 | Air Flow (CFM) 风量 | Static Pressure (mm-H ₂ O) 静压 | Noise Level (dB-A) 噪音 | Weight (g) 重量 |
|-------------|----------------------|-------------------------|------------------|-------------------|-----------------------|-------------------|----------------------|---|--------------------------|------------------|
| 13538HS/B1 | Sleeve/Ball | 110 | 50/60 | 0.24/0.20 | 23.0/21.0 | 2600/3000 | 115/141 | 6.50/6.80 | 43/45 | 570 |
| 13538MS/B1 | | 110 | 50/60 | 0.15/0.13 | 15.0/14.0 | 2400/2700 | 107/120 | 4.30/5.10 | 41/43 | |
| 13538LS/B1 | | 110 | 50/60 | 0.13/0.11 | 10.0/9.0 | 2100/2400 | 93/107 | 1.80/3.0 | 39/41 | |
| 13538HS/B2 | Sleeve/Ball | 220 | 50/60 | 0.15/0.13 | 23.0/21.0 | 2600/3000 | 115/141 | 6.50/6.80 | 43/45 | |
| 13538MS/B2 | | 220 | 50/60 | 0.11/0.09 | 15.0/14.0 | 2400/2700 | 107/120 | 4.30/5.10 | 41/43 | |
| 13538LS/B2 | | 220 | 50/60 | 0.07/0.06 | 10.0/9.0 | 2100/2400 | 93/107 | 1.80/3.0 | 39/41 | |
| 13538HS/B3 | | 380 | 50/60 | 0.07/0.06 | 23.0/21.0 | 2600/3000 | 115/141 | 6.50/6.80 | 43/45 | |

* B: Two Ball bearing S: Sleeve Bearing * All reading are typical values at rated voltage
 * Function type optional * Specifications are subject to change without notice





Size:150*150*50mm

General Specifications:

- Die-cast aluminum housing
- Metal impeller or Class fiber reinforced plastic:
Impeller are UL 94V-0 rating
- Shaded pole motor
- Impedance protected
- Bearing: Precision Ball Bearing/Sleeve Bearing
- Storage temperature: -40°C to +75°C
- Operating temperature:-10°C to +70°C

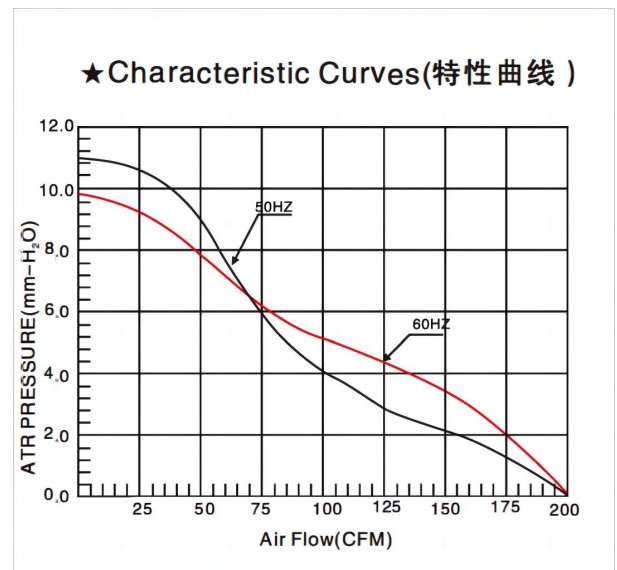
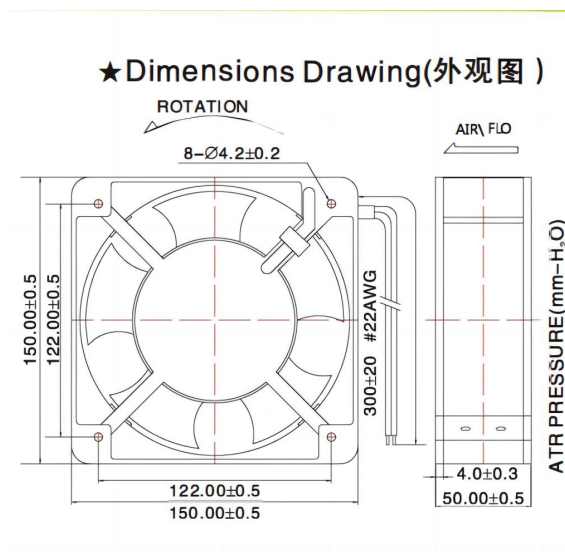


Specifications

| Model 型号 | Bearing System 培林 | Rated Voltage (V) 电压 | Freq (Hz) 频率 | Current (A) 电流 | Input Power (W) 功率 | Speed (RPM) 转速 | Air Flow (CFM) 风量 | Static Pressure (mm-H ₂ O) 静压 | Noise Level (dB-A) 噪音 | Weight (g) 重量 |
|-------------|----------------------|-------------------------|-----------------|-------------------|-----------------------|-------------------|----------------------|---|--------------------------|------------------|
| 15050HS/B1 | Sleeve/Ball | 110 | 50/60 | 0.46/0.44 | 38/36 | 2600/3000 | 170/196 | 11.5/14.0 | 49/56 | 800 |
| 15050MS/B1 | | 110 | 50/60 | 0.33/0.30 | 28/27 | 2400/2600 | 155/170 | 7.5/9.7 | 45/49 | |
| 15050LS/B1 | | 110 | 50/60 | 0.15/0.13 | 21/20 | 2100/2400 | 137/155 | 3.0/3.9 | 39/45 | |
| 15050HS/B2 | | 220 | 50/60 | 0.25/0.22 | 38/39 | 2600/3000 | 170/196 | 11.5/14.0 | 49/56 | |
| 15050MS/B2 | | 220 | 50/60 | 0.18/0.16 | 28/27 | 2400/2600 | 155/170 | 7.5/9.7 | 45/49 | |
| 15050LS/B2 | | 220 | 50/60 | 0.13/0.11 | 21/20 | 2100/2400 | 137/155 | 3.0/3.9 | 39/45 | |
| 15050HS/B3 | | 380 | 50/60 | 0.15/0.13 | 38/36 | 2600/3000 | 170/196 | 11.5/14.0 | 49/56 | |

* B: Two Ball bearing S: Sleeve Bearing * All reading are typical values at rated voltage

* Function type optional * Specifications are subject to change without notice





Size: 172*150*51mm

General Specifications:

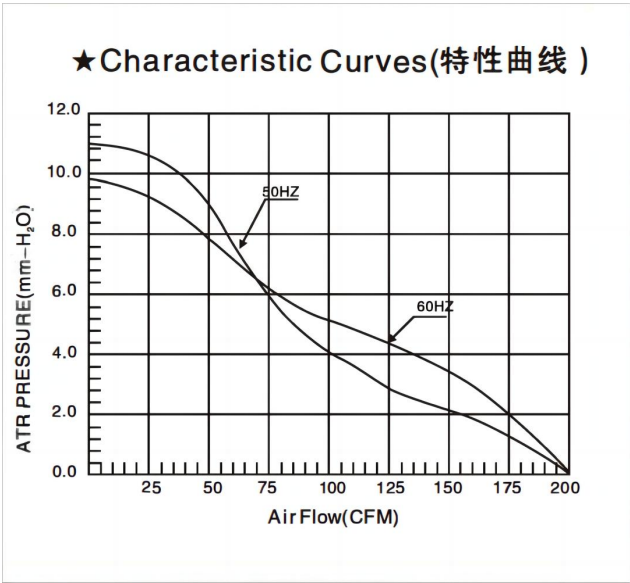
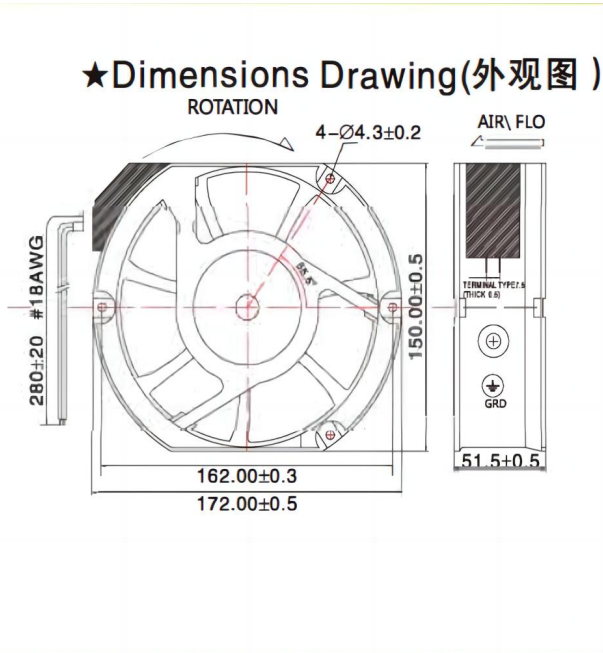
- Die-cast aluminum housing
- Metal impeller or Class fiber reinforced plastic:
Impeller are UL 94V-0 rating
- Shaded pole motor
- Impedance protected
- Bearing: Precision Ball Bearing/Sleeve Bearing
- Storage temperature: -40°C to +75°C
- Operating temperature: -10°C to +70°C



Specifications

| Model 型号 | Bearing System 轴承 | Rated Voltage (V) 电压 | Freq. (Hz) 频率 | Current (A) 电流 | Input Power (W) 功率 | Speed (RPM) 转速 | Air Flow (CFM) 风量 | Static Pressure (mm-H ₂ O) 静压 | Noise Level (dB-A) 噪音 | Weight (g) 重量 |
|-------------|----------------------|----------------------------|---------------------|----------------------|--------------------------|----------------------|-------------------------|--|-----------------------------|---------------------|
| 17251HS/B1 | Sleeve/Ball | 110 | 50/60 | 0.48/0.45 | 38/36 | 2600/3000 | 170/196 | 11.5/14.0 | 49/56 | 920 |
| 17251MS/B1 | | 110 | 50/60 | 0.33/0.30 | 28/27 | 2400/2600 | 155/170 | 7.5/9.7 | 45/49 | |
| 17251LS/B1 | | 110 | 50/60 | 0.15/0.13 | 21/20 | 2100/2400 | 137/155 | 3.0/3.9 | 39/45 | |
| 17251HS/B2 | | 220 | 50/60 | 0.25/0.22 | 38/36 | 2600/3000 | 170/196 | 11.5/14.0 | 49/56 | |
| 17251MS/B2 | | 220 | 50/60 | 0.19/0.15 | 28/27 | 2400/2600 | 155/170 | 7.5/9.7 | 45/49 | |
| 17251LS/B2 | | 220 | 50/60 | 0.14/0.13 | 21/20 | 2100/2400 | 137/155 | 3.0/3.9 | 39/45 | |
| 17251HS/B3 | | 380 | 50/60 | 0.14/0.13 | 38/36 | 2600/3000 | 170/196 | 11.5/14.0 | 49/56 | |

* B: Two Ball bearing S: Sleeve Bearing * All reading are typical values at rated voltage
 * Function type optional * Specifications are subject to change without notice





Size: 180*180*60 mm

General Specifications:

- Die-cast aluminum housing
- Metal impeller or Class fiber reinforced plastic:
Impeller are UL 94V-0 rating
- Shaded pole motor
- Impedance protected
- Bearing: Precision Ball Bearing/Sleeve Bearing
- Storage temperature: -40°C to +75°C
- Operating temperature: -10°C to +70°C



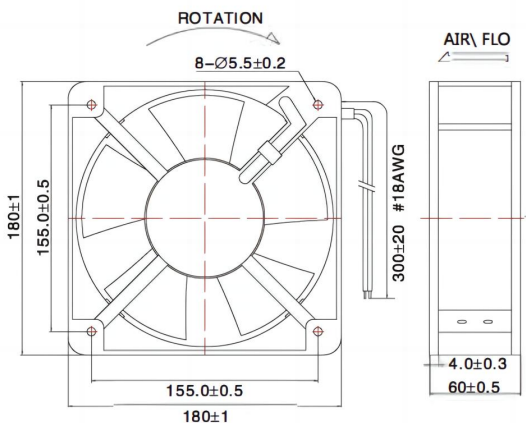
Specifications

| Model 型号 | Bearing System 轴承 | Rated Voltage (V) 电压 | Freq (Hz) 频率 | Current (A) 电流 | Input Power (W) 功率 | Speed (RPM) 转速 | Air Flow (CFM) 风量 | Static Pressure (mm-H ₂ O) 静压 | Noise Level (dB-A) 噪音 | Weight (g) 重量 |
|-------------|----------------------|----------------------------|--------------------|----------------------|--------------------------|----------------------|-------------------------|--|-----------------------------|---------------------|
| 18060HB1 | Ball | 110 | 60 | 0.69 | 56 | 2600 | 280 | 13.18 | 59 | 1600 |
| 18060HB2 | | 220 | 50 | 0.30 | 45 | 2600 | 280 | 13.18 | 59 | |
| 18060HB3 | | 380 | 50 | 0.16 | 42 | 2550 | 275 | 13.10 | 59 | |

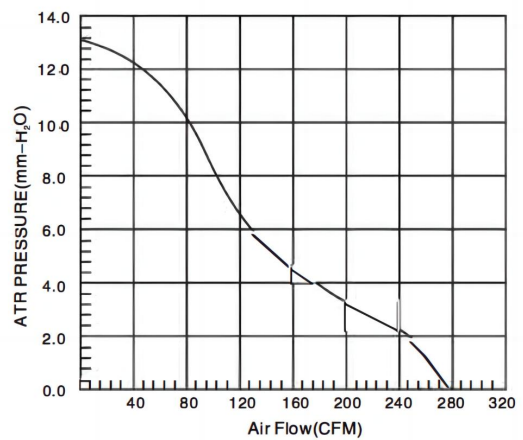
* B: Two Ball bearing S: Sleeve Bearing * All reading are typical values at rated voltage

* Function type optional * Specifications are subject to change without notice

★Dimensions Drawing(外观图)



★Characteristic Curves(特性曲线)





Size:200*200*60mm

General Specifications:

- Die-cast aluminum housing
- Metal impeller or Class fiber reinforced plastic:
Impeller are UL 94V-0 rating
- Shaded pole motor
- Impedance protected
- Bearing: Precision Ball Bearing/Sleeve Bearing
- Storage temperature: -40°C to +75°C
- Operating temperature:-10°C to +70°C

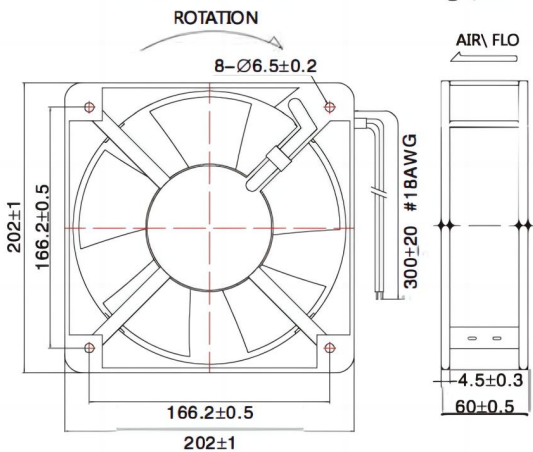


Specifications

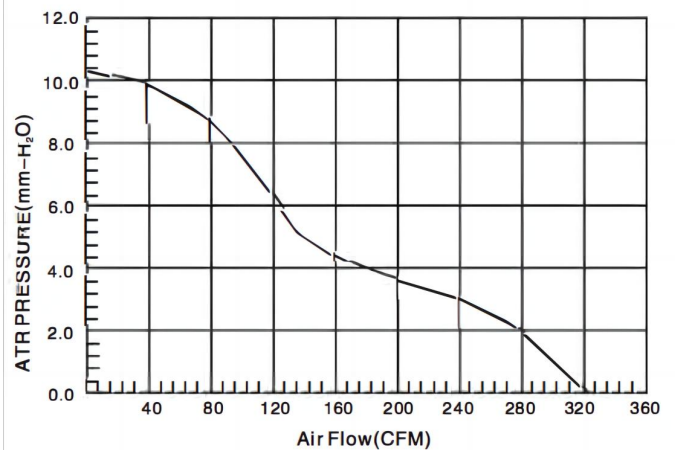
| MODEL | Bearing System | Rated Voltage (V) | Frequency (HZ) | Rated Current (A) | Input Power (W) | Speed (RPM) | Max Air Flow (CFM) | Max Static Pressure (mm H2O) | Noise (dBA) | Weight (g) |
|-------------|----------------|-------------------|----------------|-------------------|-----------------|-------------|--------------------|------------------------------|-------------|------------|
| 20060HS(B)1 | S/B | 110 | 60 | 0.69 | 56 | 2500 | 325 | 10.40 | 58 | 1700 |
| 20060HS(B)2 | S/B | 220 | 50 | 0.30 | 48 | 2500 | 325 | 10.40 | 58 | 1700 |
| 20060HS(B)3 | S/B | 380 | 50 | 0.16 | 45 | 2500 | 325 | 10.40 | 58 | 1700 |

*** B: Two Ball bearing S: Sleeve Bearing * All reading are typical values at rated voltage**
*** Function type optional * Specifications are subject to change without notice**

★Dimensions Drawing(外观图)



★Characteristic Curves(特性曲线)





Size: $\varnothing 220 \times 60$ mm

General Specifications:

- Die-cast aluminum housing
- Metal impeller or Class fiber reinforced plastic:
Impeller are UL 94V-0 rating
- Shaded pole motor
- Impedance protected
- Bearing: Precision Ball Bearing/Sleeve Bearing
- Storage temperature: -40°C to $+75^{\circ}\text{C}$
- Operating temperature: -10°C to $+70^{\circ}\text{C}$



Specifications

| MODEL | Bearing System | Rated Voltage (V) | Frequency (HZ) | Rated Current (A) | Input Power (W) | Speed (RPM) | Max Air Flow (CFM) | Max Static Pressure (mm H ₂ O) | Noise (dBA) | Weight (g) |
|-------------|----------------|-------------------|----------------|-------------------|-----------------|-------------|--------------------|---|-------------|------------|
| 22060HS(B)1 | S/B | 110 | 60 | 0.69 | 56 | 2500 | 325 | 10.40 | 58 | 1700 |
| 22060HS(B)2 | S/B | 220 | 50 | 0.30 | 48 | 2500 | 325 | 10.40 | 58 | 1700 |
| 22060HS(B)3 | S/B | 380 | 50 | 0.16 | 45 | 2500 | 325 | 10.40 | 58 | 1700 |

* B: Two Ball bearing S: Sleeve Bearing * All reading are typical values at rated voltage

* Function type optional * Specifications are subject to change without notice

★Dimensions Drawing(外观图)

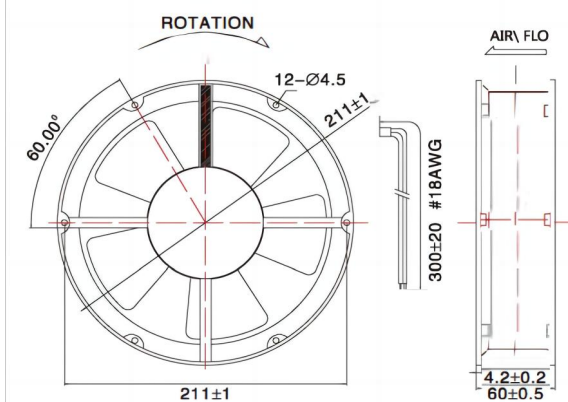
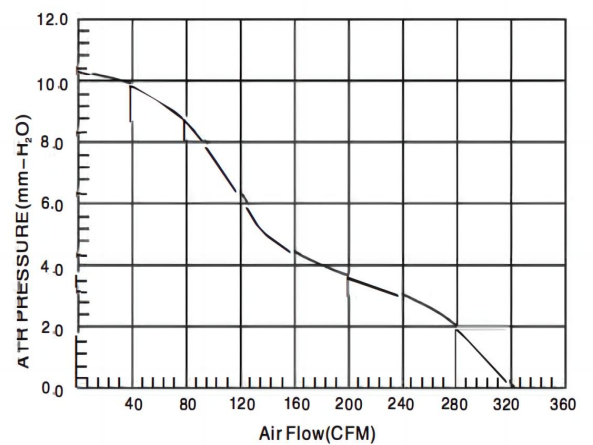


图) ★Characteristic Curves(特性曲线)





Size: $\Phi 254*89\text{mm}$

General Specifications:

- Die-cast aluminum housing
- Metal impeller or Class fiber reinforced plastic:
Impeller are UL 94V-0 rating
- Shaded pole motor
- Impedance protected
- Bearing: Precision Ball Bearing/Sleeve Bearing
- Storage temperature: -40°C to $+75^{\circ}\text{C}$
- Operating temperature: -10°C to $+70^{\circ}\text{C}$

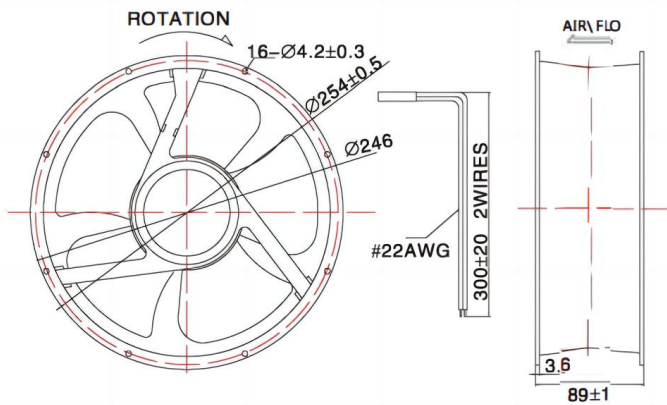


Specifications

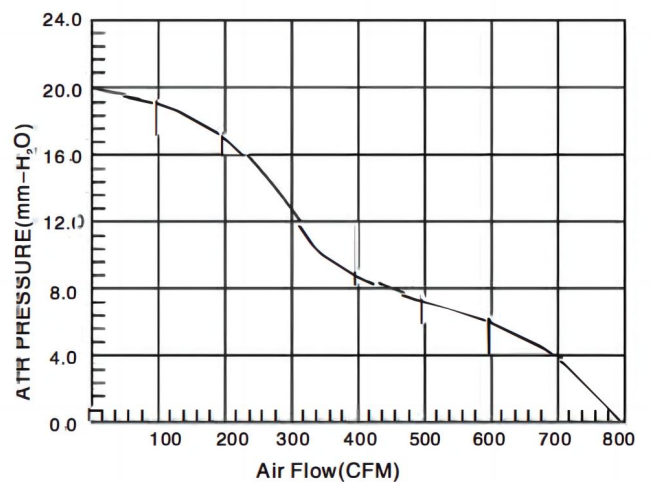
| MODEL | Bearing System | Rated Voltage (V) | Frequency (HZ) | Rated Current (A) | Input Power (W) | Speed (RPM) | Max Air Flow (CFM) | Max Static Pressure (mm H ₂ O) | Noise (dBA) | Weight (g) |
|-------------|----------------|-------------------|----------------|-------------------|-----------------|-------------|--------------------|---|-------------|------------|
| 25489HS(B)1 | S/B | 110 | 50/60 | 0.23/0.23 | 26/23 | 1400/1700 | 600/665 | 6.86/9.15 | 52/55 | 2100 |
| 25489HS(B)2 | S/B | 220 | 50/60 | 0.24/0.27 | 56/60 | 1900/2100 | 770/850 | 9.65/10.10 | 55/58 | 2100 |
| 25489HS(B)3 | S/B | 380 | 50 | 0.12 | 40 | 1400 | 600 | 6.86 | 52 | 2100 |

* B: Two Ball bearing S: Sleeve Bearing * All reading are typical values at rated voltage
 * Function type optional * Specifications are subject to change without notice

★Dimensions Drawing(外观图)



★Characteristic Curves(特性曲线)





Size: \varnothing 190*68mm

General Specifications:

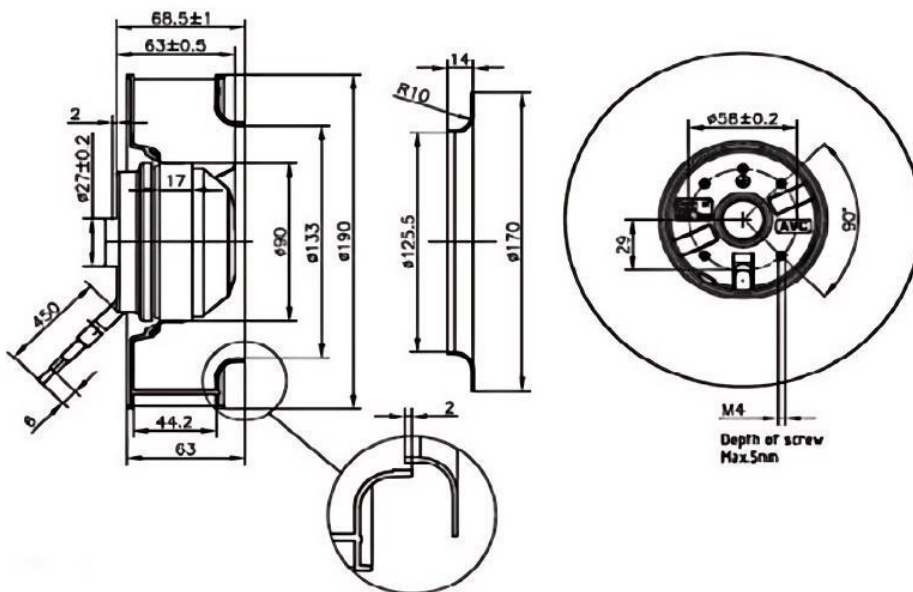
- Die-cast aluminum housing
- Metal impeller or Class fiber reinforced plastic:
Impeller are UL 94V-0 rating
- Shaded pole motor
- Impedance protected
- Bearing: Precision Ball Bearing/Sleeve Bearing
- Storage temperature: -40°C to +75°C
- Operating temperature:-10°C to +70°C



Specifications

| MODEL | Bearing System | Rated Voltage (V) | Frequency (HZ) | Rated Current (A) | Input Power (W) | Speed (RPM) | Max Air Flow (CFM) | Max Static Pressure (mm H2O) | Noise (dBA) | Weight (g) |
|-------------|----------------|-------------------|----------------|-------------------|-----------------|-------------|--------------------|------------------------------|-------------|------------|
| 19068HS(B)2 | B | 220 | 50 | 0.45 | 77 | 2600 | 324 | 33.2 | 64 | 1280 |
| 19068HS(B)2 | B | 220 | 60 | 0.35 | 64 | 2800 | 369 | 40.1 | 67 | 1280 |

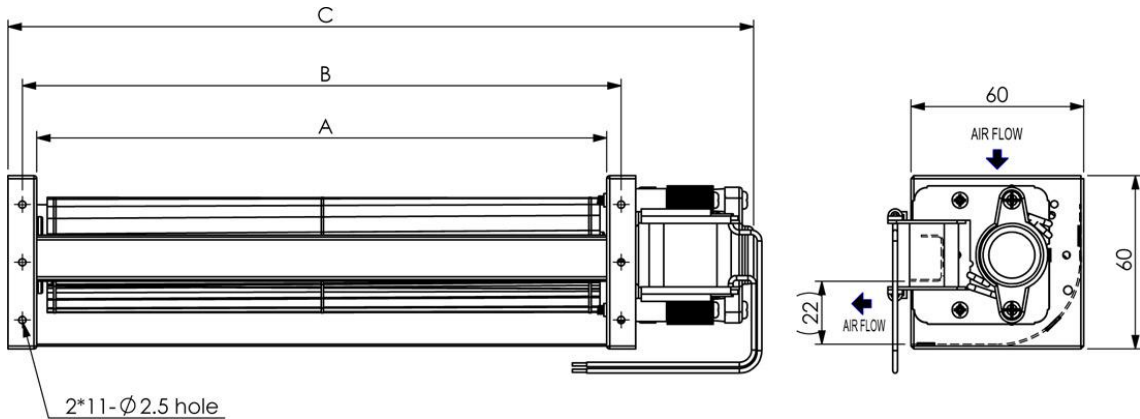
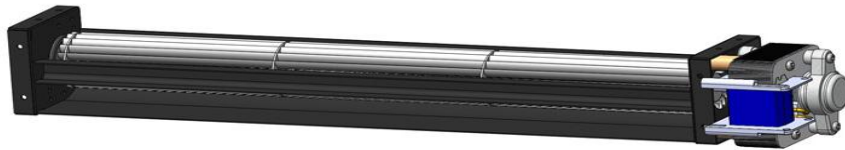
*** B: Two Ball bearing S: Sleeve Bearing * All reading are typical values at rated voltage**
*** Function type optional * Specifications are subject to change without notice**





Cross flow fan

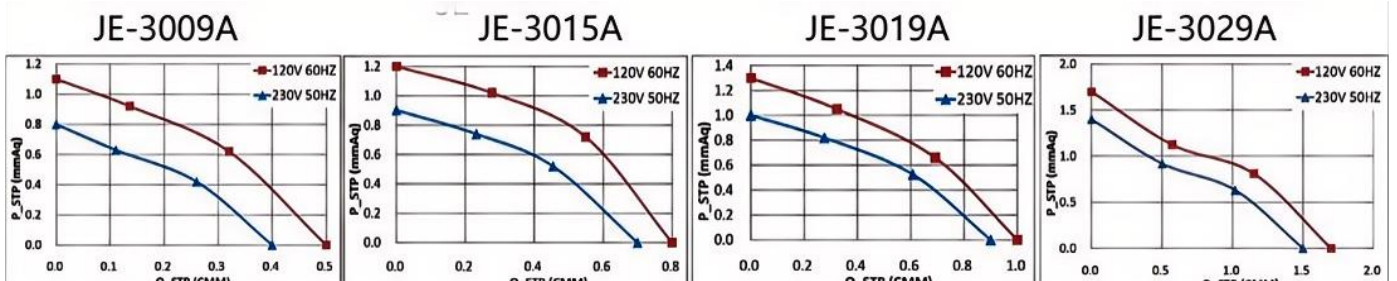
Size: JE-030 AC Fan



| Model | Dimensions (mm) | | | Voltage (V) | Frequency (HZ) | Current (A) | Power (W) | r.p.m. | Pressure (mmAq) | Air Flow (m³/min) | dB(A) | Weight (g) | Approval | | |
|-------------|-----------------|-----|-----|-------------|----------------|-------------|-------------|-------------|-----------------|-------------------|---------|------------|----------|-----|----|
| | A | B | C | | | | | | | | | | UL | TUV | CE |
| JE-03009A12 | 98 | 108 | 154 | 120 | 50 / 60 | 0.10 / 0.08 | 8.0 / 7.0 | 2500 / 2900 | 0.8 / 1.1 | 0.4 / 0.5 | 27 / 30 | 390 | | | |
| JE-03009A23 | | | | 230 | 50 / 60 | 0.06 / 0.04 | 8.5 / 7.0 | 2500 / 2900 | 0.8 / 1.1 | 0.4 / 0.5 | 27 / 29 | | ○ | ○ | |
| JE-03015A12 | 160 | 170 | 222 | 120 | 50 / 60 | 0.14 / 0.12 | 10.0 / 8.5 | 2700 / 3100 | 0.9 / 1.2 | 0.7 / 0.8 | 31 / 34 | 530 | ○ | | |
| JE-03015A23 | | | | 230 | 50 / 60 | 0.09 / 0.07 | 10.5 / 9.5 | 2700 / 3100 | 0.9 / 1.2 | 0.7 / 0.8 | 31 / 34 | | ○ | ○ | ○ |
| JE-03019A12 | 198 | 208 | 260 | 120 | 50 / 60 | 0.14 / 0.12 | 10.0 / 9.0 | 2700 / 3100 | 1.0 / 1.3 | 0.9 / 1.0 | 31 / 34 | 550 | ○ | | |
| JE-03019A23 | | | | 230 | 50 / 60 | 0.09 / 0.07 | 11.0 / 9.5 | 2700 / 3100 | 1.0 / 1.3 | 0.9 / 1.0 | 31 / 34 | | ○ | ○ | ○ |
| JE-03029A12 | 300 | 310 | 366 | 120 | 50 / 60 | 0.20 / 0.17 | 15.0 / 13.5 | 2700 / 3100 | 1.4 / 1.7 | 1.5 / 1.7 | 34 / 37 | 670 | ○ | | |

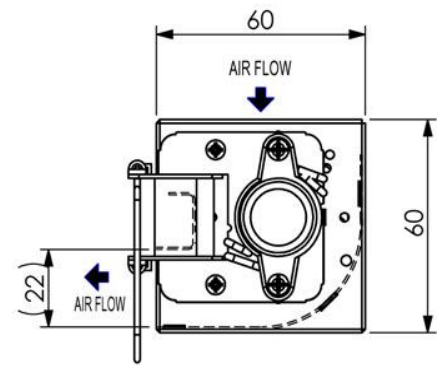
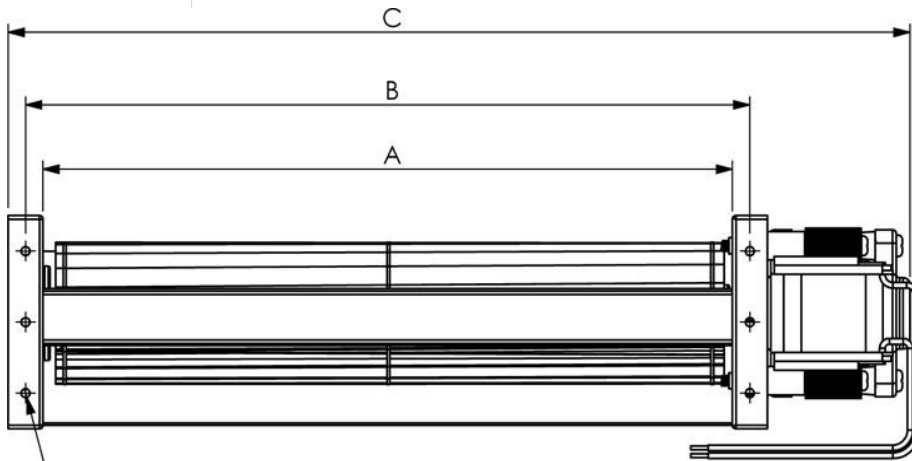
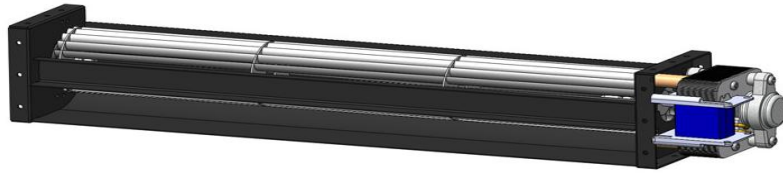
* All reading are typical values at rated voltage

* Specifications are subject to change without notice





Size: JE-040 AC Fan



2*11- ϕ 2.5 hole

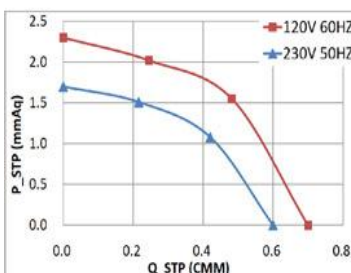
Motor : AC Shaded Pole type 1 ϕ 2P

| Spec. Model | Size(mm) | | | Rated Voltage (V) | Rated Frequency (HZ) | Rated Current (A) | Input Power (W) | Speed (r.p.m.) | Max Pressure (mmAq) | Maximum Air Flow (m ³ /min) | Noise (dBA) | Weight (g) | Safety Approval | | |
|-------------|----------|-----|-----|-------------------|----------------------|-------------------|-----------------|----------------|---------------------|--|-------------|------------|-----------------|-----|----|
| | A | B | C | | | | | | | | | | UL | TUV | CE |
| JE-04009A12 | 98 | 108 | 160 | 120 | 50 / 60 | 0.14 / 0.12 | 10.0 / 9.0 | 2700 / 3000 | 1.7 / 2.3 | 0.6 / 0.7 | 32 / 35 | 520 | o | | |
| JE-04009A23 | | | | 230 | 50 / 60 | 0.09 / 0.07 | 11.0 / 9.5 | 2700 / 3000 | 1.7 / 2.3 | 0.6 / 0.7 | 33 / 36 | | o | o | o |
| JE-04015A12 | 160 | 170 | 222 | 120 | 50 / 60 | 0.15 / 0.13 | 11.0 / 10.0 | 2600 / 2800 | 1.9 / 2.4 | 1.0 / 1.1 | 34 / 36 | 560 | o | | |
| JE-04015A23 | | | | 230 | 50 / 60 | 0.09 / 0.07 | 11.0 / 10.0 | 2600 / 2800 | 1.9 / 2.4 | 1.0 / 1.1 | 34 / 37 | | o | o | o |
| JE-04019A12 | 198 | 208 | 260 | 120 | 50 / 60 | 0.15 / 0.13 | 12.0 / 11.0 | 2500 / 2400 | 2.0 / 2.6 | 1.4 / 1.3 | 34 / 35 | 600 | o | | |
| JE-04019A23 | | | | 230 | 50 / 60 | 0.09 / 0.07 | 12.0 / 11.0 | 2500 / 2400 | 2.0 / 2.6 | 1.4 / 1.3 | 34 / 36 | | o | o | o |
| JE-04029A12 | 300 | 310 | 366 | 120 | 50 / 60 | 0.23 / 0.21 | 17.0 / 16.0 | 2400 / 2300 | 2.1 / 2.6 | 2.1 / 2.0 | 38 / 38 | 730 | o | | |
| JE-04029A23 | | | | 230 | 50 / 60 | 0.10 / 0.09 | 14.0 / 13.0 | 2400 / 2300 | 2.1 / 2.6 | 2.1 / 2.0 | 35 / 34 | | o | o | o |

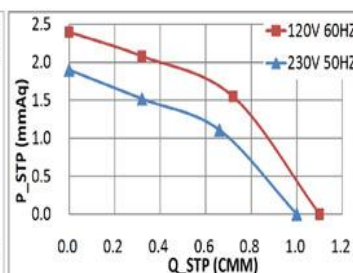
* All reading are typical values at rated voltage

* Specifications are subject to change without notice

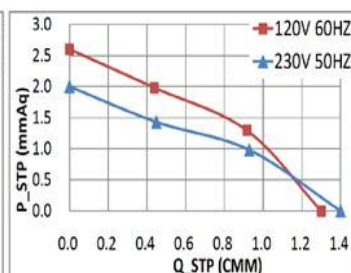
JE-04009A



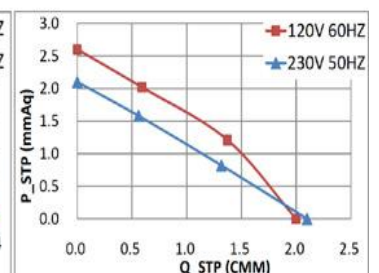
JE-04015A



JE-04019A

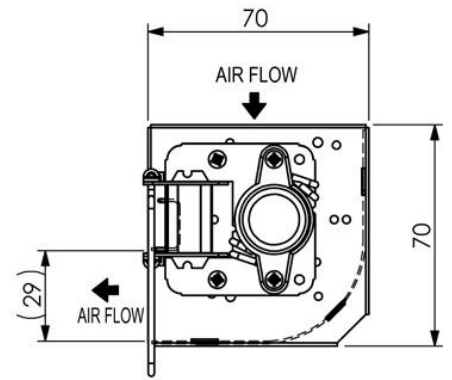
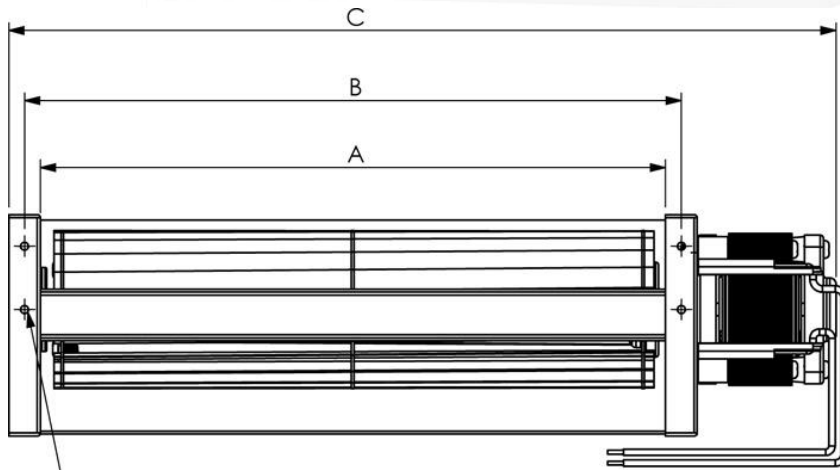
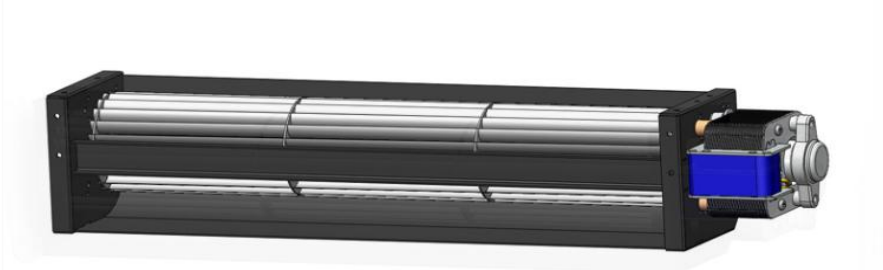


JE-04029A





Size: JE-050 AC Fan



2*8-M4抽孔攻牙

Motor : AC Shaded Pole type 1Ø 2P

| Spec. Model | Size(mm) | | | Rated Voltage (V) | Rated Frequency (HZ) | Rated Current (A) | Input Power (W) | Speed (r.p.m.) | Max Pressure (mmAq) | Maximum Air Flow (m³/min) | Noise (dBA) | Weight (g) | Safety Approval | | |
|-------------|----------|-----|-----|-------------------|----------------------|-------------------|-----------------|----------------|---------------------|---------------------------|-------------|------------|-----------------|-----|----|
| | A | B | C | | | | | | | | | | UL | TUV | CE |
| JE-05009A12 | 98 | 108 | 162 | 120 | 50 / 60 | 0.15 / 0.13 | 11.0 / 10.0 | 2300 / 2400 | 2.7 / 3.6 | 0.7 / 0.8 | 38 / 39 | 610 | ○ | | |
| JE-05009A23 | | | | 230 | 50 / 60 | 0.09 / 0.07 | 11.5 / 10.5 | 2300 / 2400 | 2.7 / 3.6 | 0.7 / 0.8 | 38 / 39 | | ○ | ○ | ○ |
| JE-05019A12 | 198 | 208 | 267 | 120 | 50 / 60 | 0.23 / 0.21 | 18.0 / 16.0 | 2200 / 1800 | 3.1 / 3.7 | 1.9 / 1.7 | 40 / 35 | 770 | ○ | | |
| JE-05019A23 | | | | 230 | 50 / 60 | 0.10 / 0.09 | 14.0 / 13.0 | 1900 / 1400 | 3.1 / 3.6 | 1.8 / 1.6 | 37 / 31 | | ○ | ○ | ○ |
| JE-05029A12 | 298 | 308 | 377 | 120 | 50 / 60 | 0.35 / 0.33 | 24.0 / 24.0 | 2200 / 1800 | 3.7 / 4.3 | 3.3 / 2.5 | 46 / 41 | 1100 | ○ | | |
| JE-05029A23 | | | | 230 | 50 / 60 | 0.15 / 0.14 | 21.0 / 20.0 | 2100 / 1500 | 3.7 / 4.1 | 3.3 / 2.3 | 43 / 35 | | ○ | ○ | ○ |
| JE-05035A12 | 358 | 368 | 437 | 120 | 50 / 60 | 0.35 / 0.33 | 23.0 / 23.0 | 2100 / 1500 | 3.7 / 4.3 | 3.1 / 2.9 | 42 / 36 | 1200 | | | |
| JE-05035A23 | | | | 230 | 50 / 60 | 0.15 / 0.14 | 20.0 / 19.0 | 1900 / 1300 | 3.5 / 4.0 | 3.0 / 2.6 | 40 / 32 | | | | |

* All reading are typical values at rated voltage

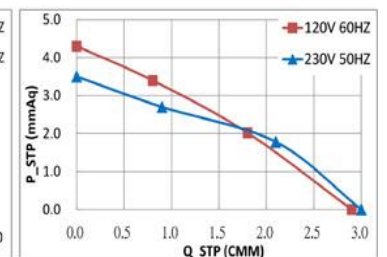
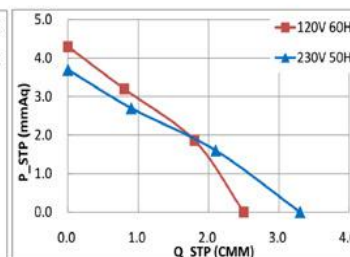
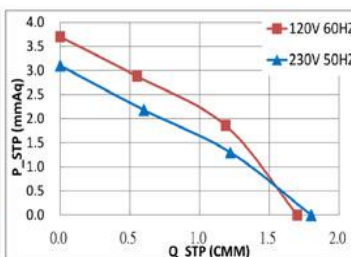
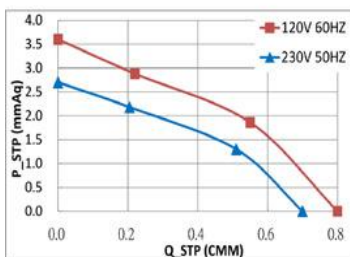
* Specifications are subject to change without notice

JE-05009A

JE-05019A

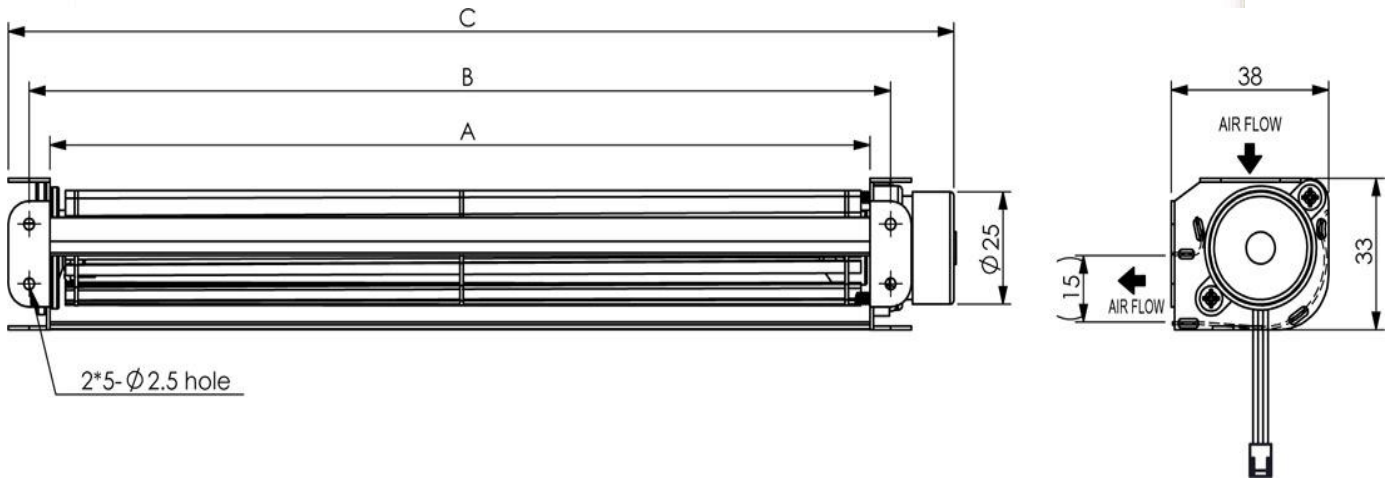
JE-05029A

JE-05035A





Size: JED-025 DC Fan

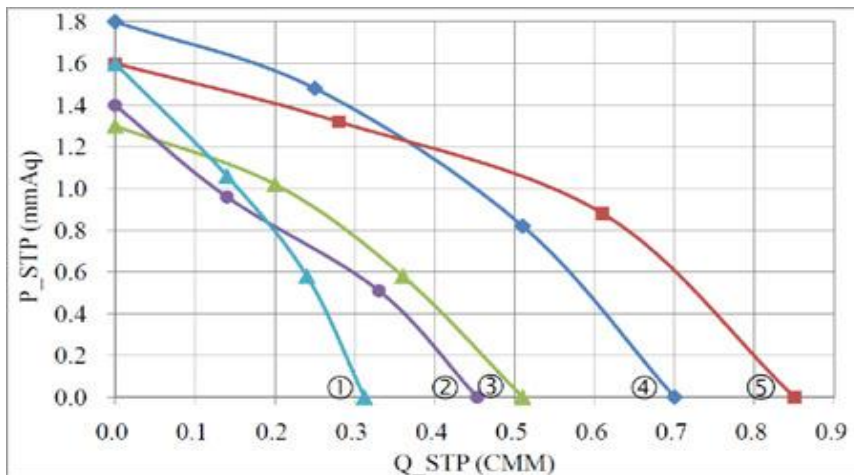


Motor : DC Brushless type

| Spec. Model | Size(mm) | | | Rated Voltage (V) | Rated Current (A) | Speed (r.p.m.) | Max Pressure (mmAq) | Maximum Air Flow (m³/min) | Noise (dBA) | Weight (g) | Safety Approval | | |
|-------------------|----------|-----|-----|-------------------|-------------------|----------------|---------------------|---------------------------|-------------|------------|-----------------|-----|----|
| | A | B | C | | | | | | | | UL | TUV | CE |
| JED-02509A12-3B ① | 98 | 108 | 128 | 12 | 0.11 | 3500 | 1.6 | 0.31 | 32 | 95 | | | ○ |
| JED-02515A12-3B ② | 160 | 170 | 190 | | 0.13 | 2900 | 1.4 | 0.45 | 29 | 120 | | | ○ |
| JED-02519A12-3B ③ | 198 | 208 | 228 | | 0.14 | 2700 | 1.3 | 0.51 | 28 | 140 | | | ○ |
| JED-02524A12-3B ④ | 250 | 260 | 280 | | 0.20 | 2600 | 1.8 | 0.70 | 32 | 160 | | | ○ |
| JED-02529A12-3B ⑤ | 298 | 308 | 328 | | 0.21 | 2500 | 1.6 | 0.85 | 33 | 180 | | | ○ |

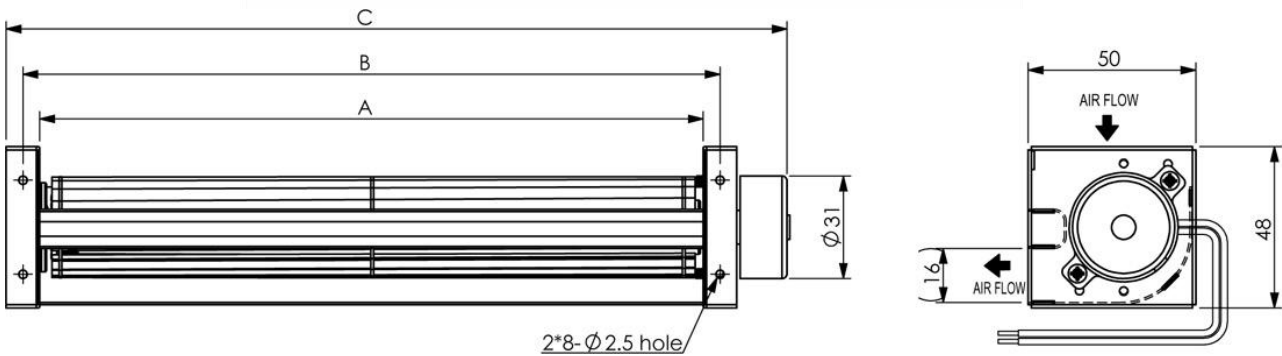
* All reading are typical values at rated voltage

* Specifications are subject to change without notice





Size: JED-030 DC Fan

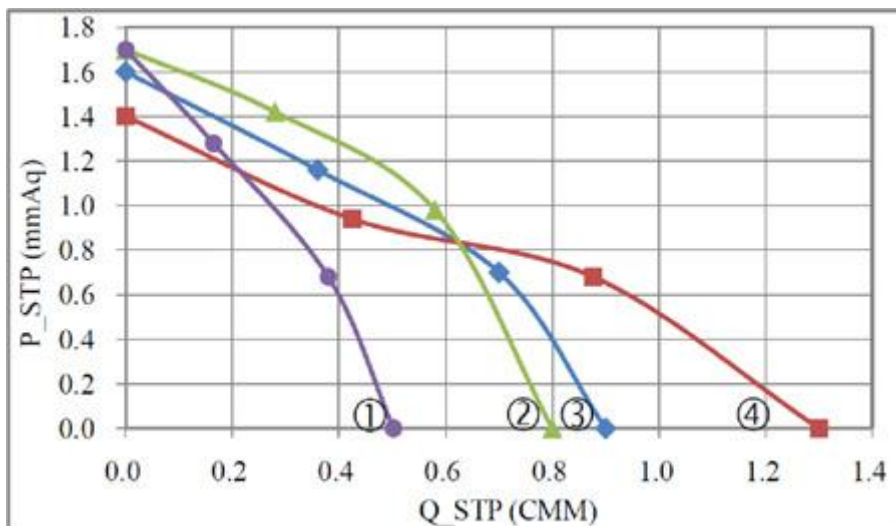


Motor : DC Brushless type

| Spec. Model | Size(mm) | | | Rated Voltage (V) | Rated Current (A) | Speed (r.p.m.) | Max Pressure (mmAq) | Maximun Air Flow (m³/min) | Noise (dBA) | Weight (g) | Safety Approval | | |
|--------------------|----------|-----|-----|-------------------|-------------------|----------------|---------------------|---------------------------|-------------|------------|-----------------|-----|----|
| | A | B | C | | | | | | | | UL | TUV | CE |
| JED-03009A12M-3B ① | 98 | 108 | 133 | 12 | 0.17 | 3500 | 1.7 | 0.5 | 38 | 180 | ○ | | |
| JED-03009A24M-3B ① | | | | 24 | 0.16 | | | | | | ○ | | |
| JED-03015A12M-3B ② | 160 | 170 | 195 | 12 | 0.22 | 3100 | 1.7 | 0.8 | 37 | 210 | ○ | | |
| JED-03015A24M-3B ② | | | | 24 | 0.18 | | | | | | ○ | | |
| JED-03019A12M-3B ③ | 198 | 208 | 233 | 12 | 0.25 | 2900 | 1.6 | 0.9 | 36 | 230 | ○ | | |
| JED-03019A24M-3B ③ | | | | 24 | 0.16 | | | | | | | | |
| JED-03029A12M-3B ④ | 300 | 310 | 335 | 12 | 0.29 | 2600 | 1.4 | 1.3 | 35 | 290 | ○ | | |
| JED-03029A24M-3B ④ | | | | 24 | 0.20 | | | | | | | | |

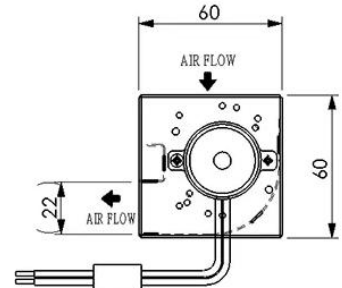
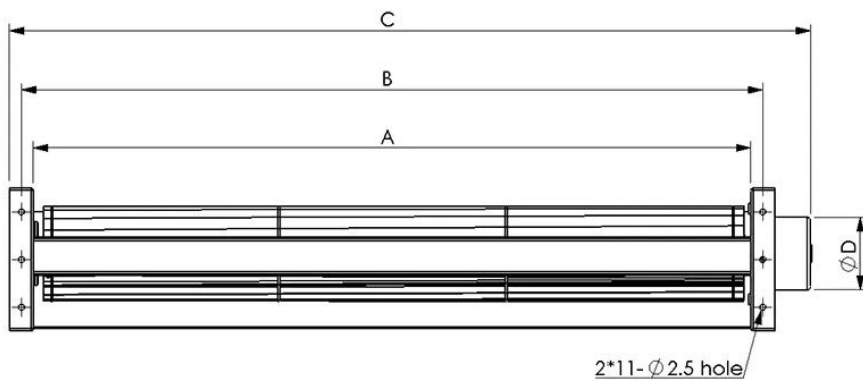
* All reading are typical values at rated voltage

* Specifications are subject to change without notice





Size: JED-040 DC Fan

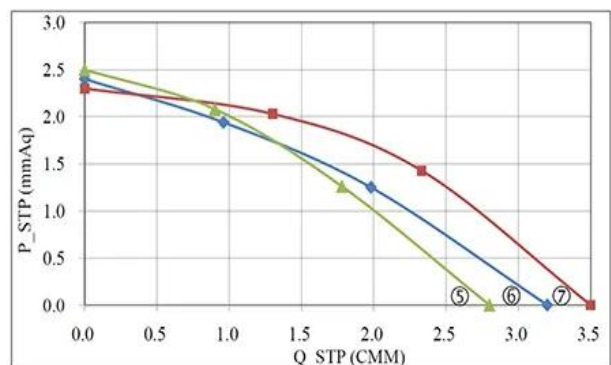
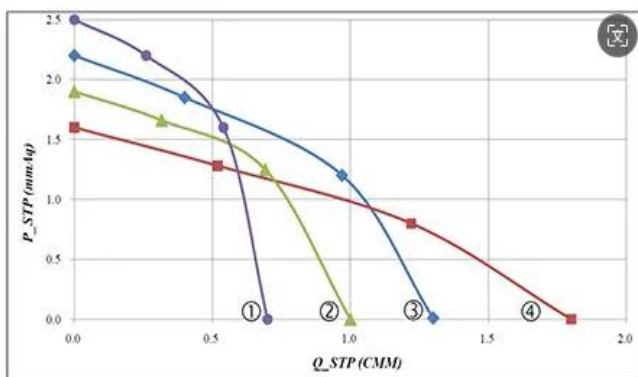


Additional Function : PWM or Voltage Control Available

| Spec. Model | Size(mm) | | | | Rated Voltage (V) | Rated Current (A) | Speed (r.p.m.) | Max Pressure (mmAq) | Maximum Air Flow (m3/min) | Noise (dBA) | Weight (g) | Safety Approval | | |
|--------------------|----------|-----|-----|----|-------------------|-------------------|----------------|---------------------|---------------------------|-------------|------------|-----------------|-----|-----|
| | A | B | C | D | | | | | | | | UL | TUV | CE |
| JED-04009A12M-3B ① | 98 | 108 | 133 | 31 | 12 | 0.22 | 2950 | 2.5 | 0.7 | 37 | 220 | ○ | | |
| JED-04009A24M-3B ① | | | | | 24 | 0.18 | | | | | | | | |
| JED-04015A12M-3B ② | 160 | 170 | 195 | 31 | 12 | 0.25 | 2500 | 1.9 | 1.0 | 37 | 260 | | | |
| JED-04015A24M-3B ② | | | | | 24 | 0.20 | | | | | | | | |
| JE3-04019A12M-3B ③ | 198 | 208 | 233 | 31 | 12 | 0.29 | 2400 | 2.2 | 1.3 | 36 | 275 | | | ○ |
| JE3-04019A24-3B ③ | | | | | 24 | 0.16 | | | | | | | | |
| JE3-04029A12M-3B ④ | 300 | 310 | 335 | 31 | 12 | 0.33 | 2000 | 1.6 | 1.8 | 32 | 350 | | | ○ |
| JE3-04029A24-3B ④ | | | | | 24 | 0.18 | | | | | | | | |
| JE3-04030A24-3B ⑤ | 310 | 320 | 350 | 38 | 24 | 0.30 | 2600 | 2.5 | 2.8 | 39 | 420 | | | ○ |
| JE3-04035A24-3B ⑥ | 360 | 370 | 400 | 38 | | 0.32 | | | | | | 2450 | 2.4 | 3.2 |
| JE3-04040A24-3B ⑦ | 410 | 420 | 450 | 38 | 0.34 | 2400 | 2.3 | 3.5 | 37 | 510 | | | ○ | |

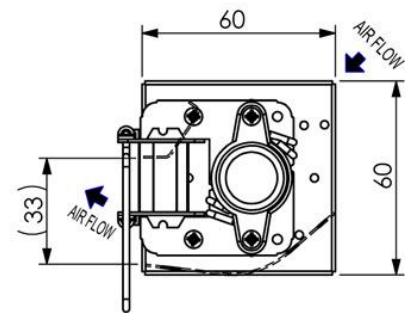
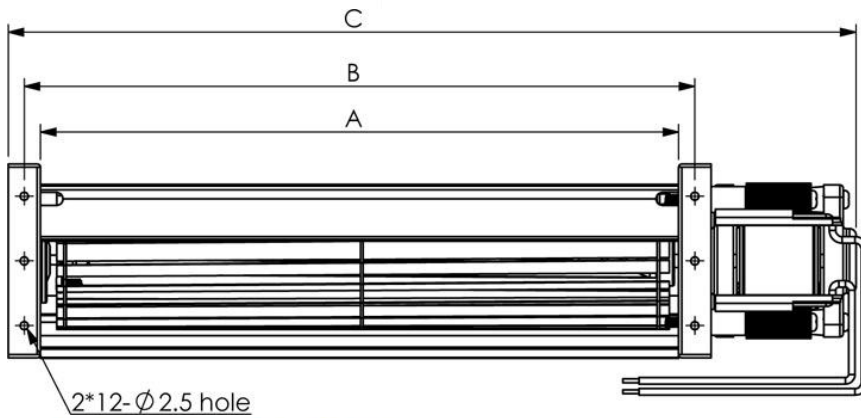
* All reading are typical values at rated voltage

* Specifications are subject to change without notice



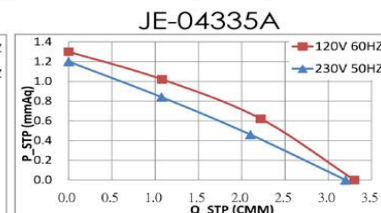
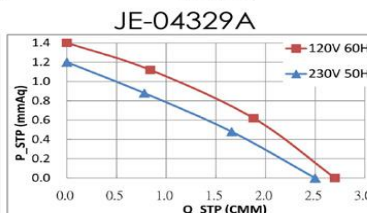
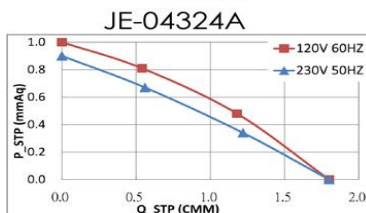
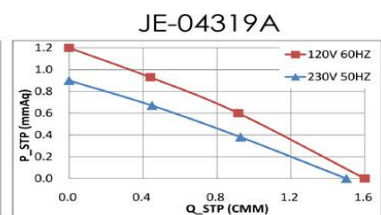
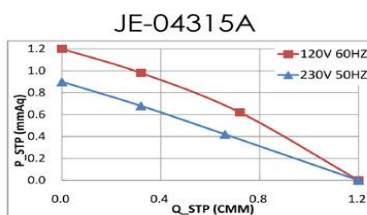
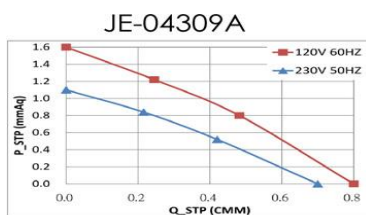


Size: JE-043 AC Fan



Motor : AC Shaded Pole type 1Ø 2P

| Spec. Model | Size(mm) | | | Rated Voltage (V) | Rated Frequency (HZ) | Rated Current (A) | Input Power (W) | Speed (r.p.m.) | Max Pressure (mmAq) | Maximum Air Flow (m³/min) | Noise (dBA) | Weight (g) | Safety Approval | | |
|-------------|----------|-----|-----|-------------------|----------------------|-------------------|-----------------|----------------|---------------------|---------------------------|-------------|------------|-----------------|-----|----|
| | A | B | C | | | | | | | | | | UL | TUV | CE |
| JE-04309A12 | 98 | 108 | 160 | 120 | 50 / 60 | 0.14 / 0.12 | 10.0 / 9.0 | 2600 / 3000 | 1.1 / 1.6 | 0.7 / 0.8 | 37 / 40 | 520 | | | |
| JE-04309A23 | | | | 230 | 50 / 60 | 0.08 / 0.07 | 10.0 / 9.0 | 2600 / 3000 | 1.1 / 1.6 | 0.7 / 0.8 | 38 / 41 | | | | |
| JE-04315A12 | 160 | 170 | 222 | 120 | 50 / 60 | 0.15 / 0.13 | 11.0 / 10.0 | 2300 / 2200 | 0.9 / 1.2 | 1.2 / 1.2 | 37 / 35 | 550 | | | |
| JE-04315A23 | | | | 230 | 50 / 60 | 0.08 / 0.07 | 11.0 / 10.0 | 2300 / 2200 | 0.9 / 1.2 | 1.2 / 1.2 | 38 / 36 | | | | |
| JE-04319A12 | 198 | 208 | 264 | 120 | 50 / 60 | 0.22 / 0.19 | 15.0 / 14.0 | 2400 / 2500 | 0.9 / 1.2 | 1.5 / 1.6 | 39 / 40 | 650 | | | |
| JE-04319A23 | | | | 230 | 50 / 60 | 0.09 / 0.08 | 13.0 / 12.0 | 2400 / 2500 | 0.9 / 1.2 | 1.5 / 1.6 | 38 / 36 | | | | |
| JE-04324A12 | 250 | 260 | 315 | 120 | 50 / 60 | 0.22 / 0.20 | 16.5 / 15.5 | 2400 / 2300 | 0.9 / 1.0 | 1.9 / 1.8 | 39 / 38 | 680 | o | | |
| JE-04324A23 | | | | 230 | 50 / 60 | 0.09 / 0.08 | 13.0 / 12.0 | 2300 / 2000 | 0.9 / 1.0 | 1.8 / 1.6 | 37 / 34 | | | | |
| JE-04329A12 | 300 | 310 | 375 | 120 | 50 / 60 | 0.32 / 0.29 | 22.0 / 21.0 | 2600 / 2900 | 1.2 / 1.4 | 2.5 / 2.7 | 44 / 45 | 890 | o | | |
| JE-04329A23 | | | | 230 | 50 / 60 | 0.14 / 0.13 | 19.0 / 18.0 | 2500 / 2500 | 1.2 / 1.4 | 2.5 / 2.5 | 43 / 42 | | o | | |
| JE-04335A12 | 360 | 370 | 435 | 120 | 50 / 60 | 0.34 / 0.32 | 23.0 / 23.0 | 2500 / 2500 | 1.2 / 1.3 | 3.3 / 3.3 | 43 / 43 | 920 | o | | |
| JE-04335A23 | | | | 230 | 50 / 60 | 0.15 / 0.14 | 20.0 / 19.0 | 2400 / 2100 | 1.2 / 1.3 | 3.2 / 2.5 | 42 / 39 | | o | | |





Plastic Filter Guard Series



Metal Finger Guard Series

