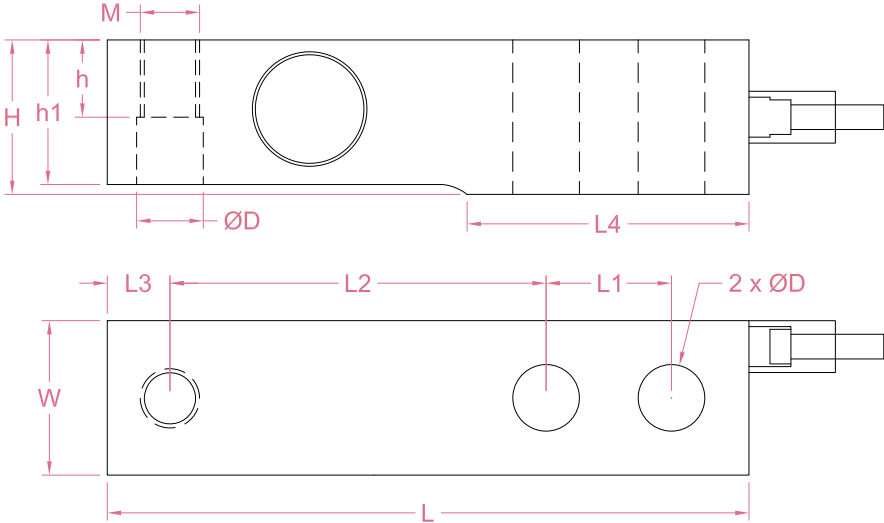




Dimensions in "mm"

Capacity	L	W	H	L1	L2	L3	L4	h1	h	D	M	Price
0.5t	130	31.3	31.3	25.4	76.2	12.7	57.1	24.8	15.6	13.5	M12*1.75	89usd/pc
1t								26				
1.5t/2t								29.2				
2.5t/3t/5t	171.5	36.8	36.8	38.1	95.2	19.1	76.2	34.8	18.4	20.5	M20*2.5	116usd/pc
7.5t/10t	222.2	49.5	49.5	50.8	120.7	25.3	101.6	47.5	24.7	26.9	M24*2	169usd/pc



Order example:

2 x LCG04 - 5t

Quantity Model Capacity

Email to sales@loadcellsensor.com for a quote

Capacity	L	W	H	L1	L2	L3	L4	h1	h	D	M
1klb	130	30.7	30.2	25.4	76.2	12.7	57.1	24.8	15.1	13.5	1/2-20UNF
1.5/2klb			26								
2.5klb			27								
3/5klb			29.2								
5.0/7.5/10/15klb	171.5	36.8	36.8	38.1	95.2	19.1	76.2	32.8	18.4	19.8	3/4-16UNF
20klb	222.2	49.5	49.5	50.8	120.7	25.3	101.6	47.5	24.7	26.9	1-12UNF

5klb and 5.0klb refers to two different sizes of 5klb capacity.

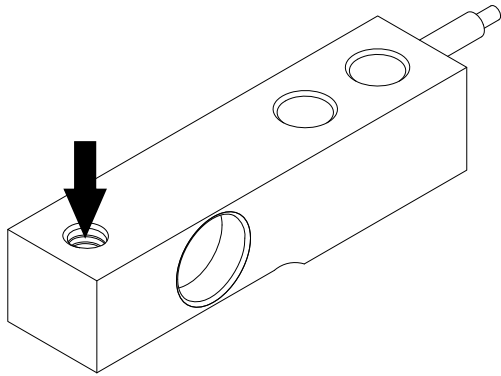
Specifications			
Rated Capacity	0.5/1/1.5/2/2.5/3/5/7.5/10t 1/1.5/2/2.5/3/5/5.0/7.5/10/15/20 klb		
Rated Output	t: 2.0±0.005 mV/V lb: 3.0±0.008 mV/V	Compensated Temp.	-10...+40°C
Excitation	3~15V	Operating Temp.	-30...+70°C
Zero Balance	±0.03 mV/V	Temp. Coeff. of Zero	±0.002% F.S./°C
Nonlinearity	±0.02% F.S.	Temp. Coeff. of Span	±0.002% F.S./°C
Hysteresis	±0.02% F.S.	Input Resistance	352±10 Ohms
Nonrepeatability	±0.02% F.S.	Output Resistance	352±3 Ohms
Creep(30min)	±0.02% F.S.	Insulation Resistance	>2000M Ohms(50V)
Safe Load Limit	150% F.S.	IP Rating	IP68
Breaking Load	250% F.S.	Element Material	Stainless steel
Cable	Ø5*6000mm 4-conductor shielded cable		

• LCS reserves the right to modify its design and specifications without notice

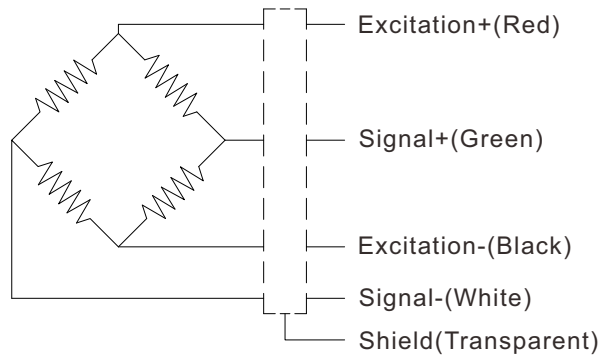




Load direction

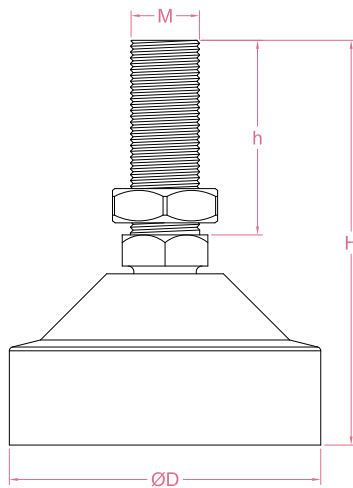
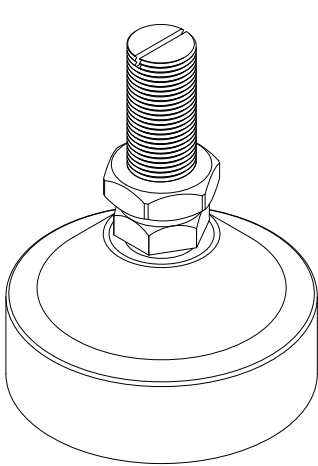


Wiring Code

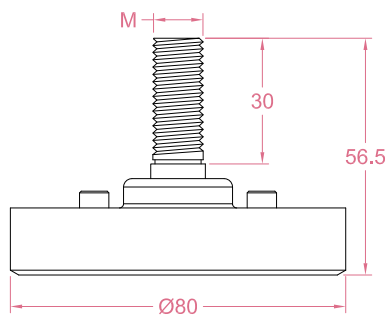
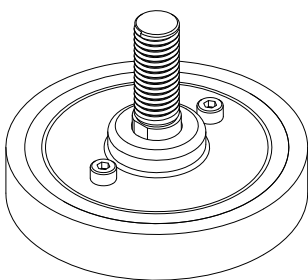


Shield is NOT connected to the sensor body

Load cell foot



Item No.	D	H	h	M
LCG04-A	60	92	50	1/2-20UNF
LCG04-B				M12*1.75
LCG04-C	80	105	50	M20*2.5
LCG04-D				3/4-16UNF
Material: Stainless steel and rubber				



Item No.	M
LCG04-E	1/2-20UNF
LCG04-F	M12*1.75
Material: Stainless steel and rubber	

