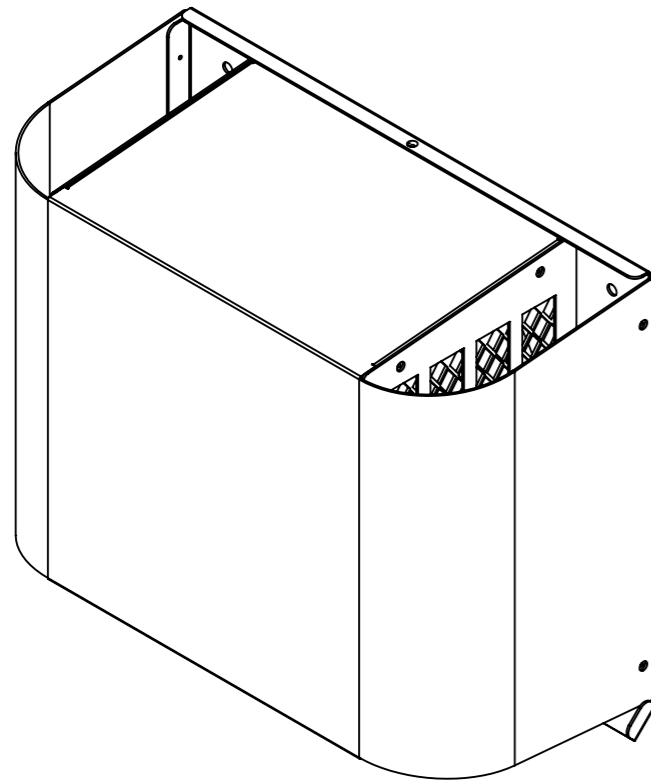


# INSTALLATION INSTRUCTIONS

## for Single Room ERV Outer Hood



### ► Purpose

The outer ventilation hood is designed to prevent ingress of water and foreign objects into the duct from outside.

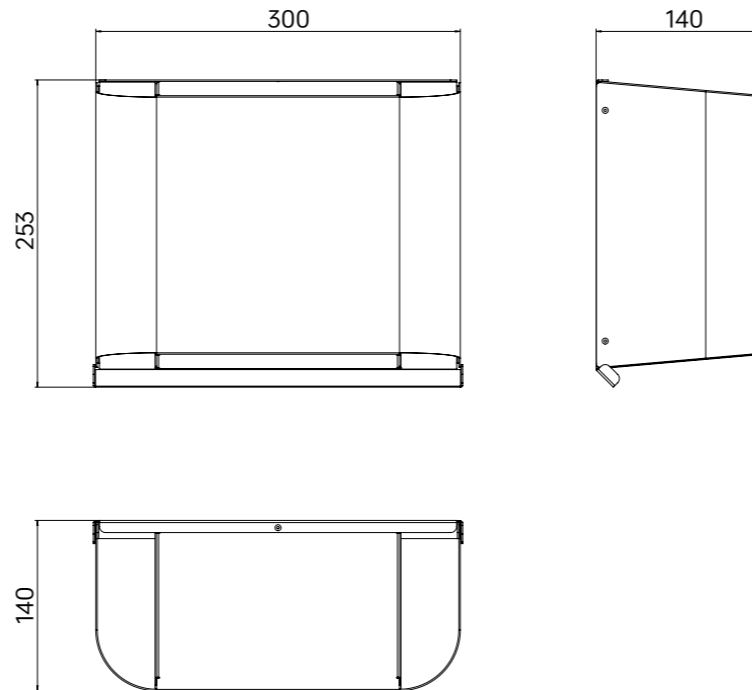


**CAUTION!**

The outer ventilation hood may not be operated by children or persons with reduced physical, mental or sensory capacities, or lacking the appropriate training.

The choice of the ventilation hood installation location must prevent unauthorized access by unattended children.

### ► Dimensions globales (mm)



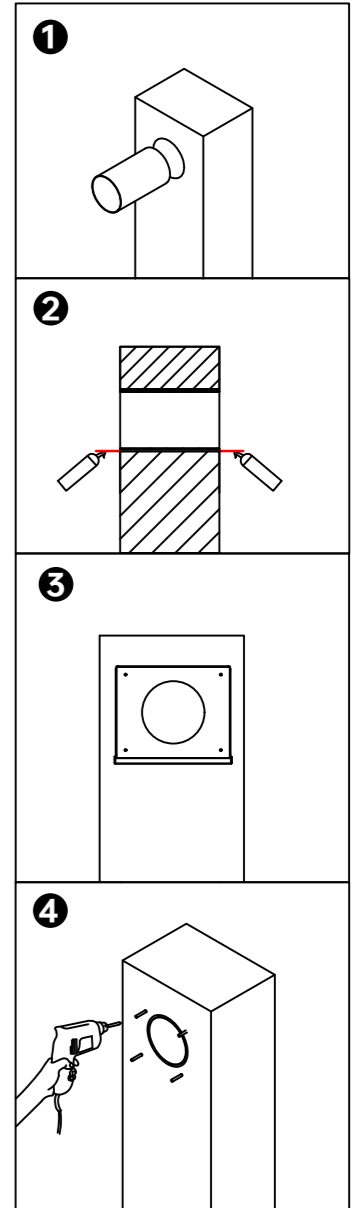
### Installation procedure

**Step 1:** Put the PVC pipe into the wall and adjust it to fit the wall.

**Step 2:** Use PU foam to fill the gap between the PVC pipe and the wall, both indoors and outdoors.

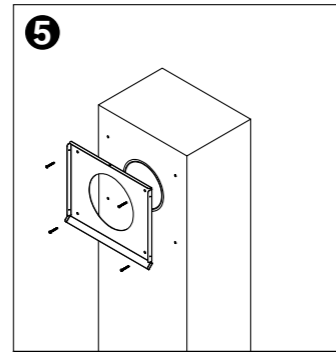
**Step 3:** Take out the metal outer hood, align the bottom of the metal outer hood with the round hole on the outside, mark the four screw holes on the metal outer hood.

**Step 4:** According to the mark of step3, use the tool to punch the hole and put the expanded colloidal particles in the hole.

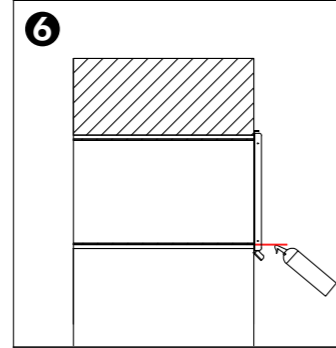


## Installation procedure

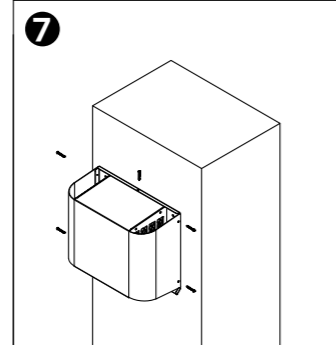
**Step 5:** Secure the bottom of the metal casing with screws.



**Step 6:** Fill the gap between the metal hood lower cover and the PVC pipe with PU foam adhesive.

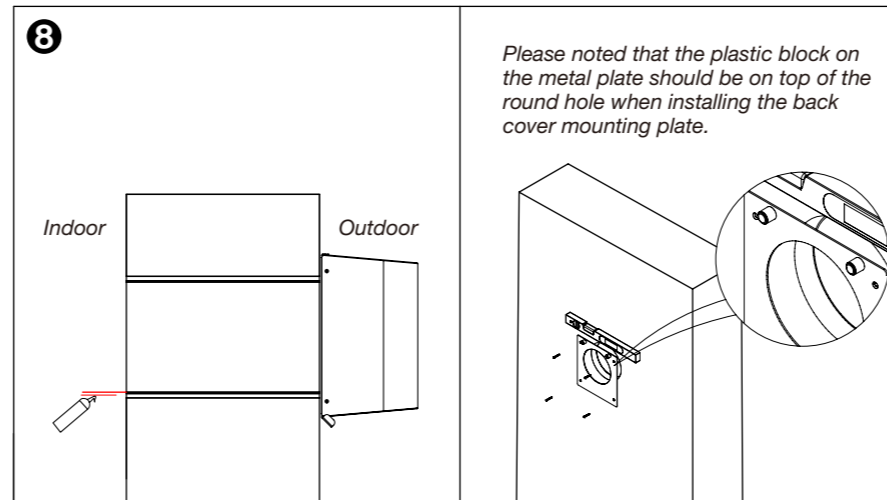


**Step 7:** Align the bottom of the metal casing with the coaming and secure with screws.

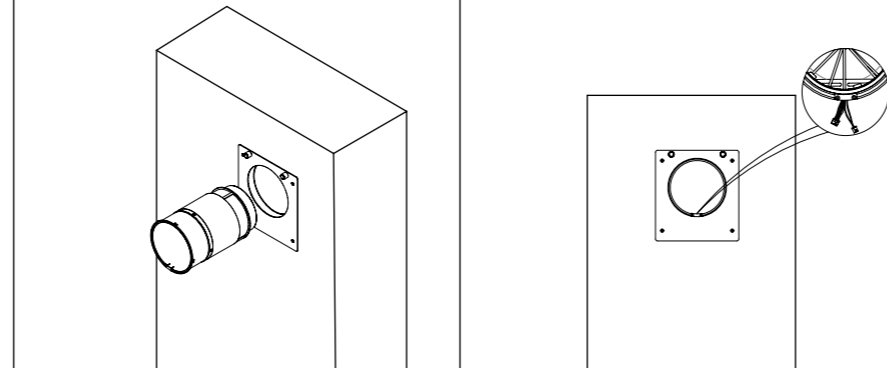


## Indoor Unit Installation

**Step 8:** Install the back cover mounting plate by aligning its round hole with the corresponding hole in the wall. Use a level to ensure it's horizontal, then mark the hole. Insert the expansion rubber plug and secure the mounting plate with a screw.



*Plug the inner air duct into the hole and make the wire inside the inner air duct face down, which direction should be the same as the mark of the outer duct.*



**Step 9:** Mount the main unit on the indoor wall. Connect the adapter wire from the back of the unit to the fan and temperature sensor wires in the wall. Organize the wiring and align the main unit with the plastic block on the back cover for installation. The unit's strong magnet will help it attach to the mounting plate. After installation, check for gaps between the main unit and mounting plate; if there's a gap, remove and reinstall the unit to tidy the wires.

