

**Electrical characteristics****DATE SHEET-CP153030**

Type CP153030

3.0V 120mAh

System lithium/ manganese dioxide

Nominal capacity (mAh) 120@1mA to 2V @23°C

Rated voltage (V) 3.0

Impedence at 1kHz ( $\Omega$ ) 7

Max. continuous current (mA) 50

Max. pulse current (mA) 100

Storage temperature -20 ~+40 °C

Operation temperature range -20°C ~+60°C

Weight (g) 2.5

Specific energy 145Wh/Kg

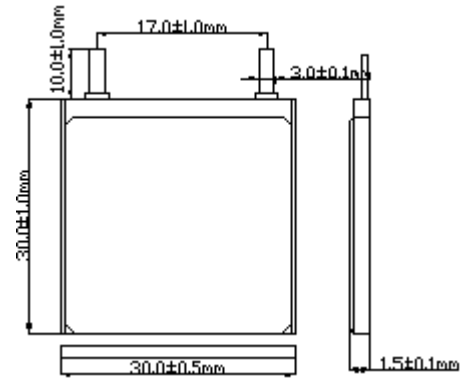
Energy density 300Wh/L

Anode tape/cathode tape Aluminum/Nickel

Self Discharge Rate Under 2% for years@30°C

Jacket Flexible Aluminum Foil Packaging

Max. dimensions (mm) 1.7×30.5×31

**Key Features**

High Energy Density

- High single cell voltage
- Light weight
- Small Size
- High security
- Stable operating voltage
- Wide Operating temperature range
- Low Self-discharge rate
- Flexible on shape design
- Restricted for UL、UN38.3 and ROHS
- UL file: MH45782

Any special or specific for shape, thickness or discharge rate, please consult GMB.

**Guangzhou Markyn Battery Co., Ltd.**Block 2, haijing Road 06, Markyns industrial Zone, Xinzao Town,  
Panyu District, Guangzhou, P.R.C..

Tel: (86)20 — 34729558 Fax:(86)20 — 3476 5531

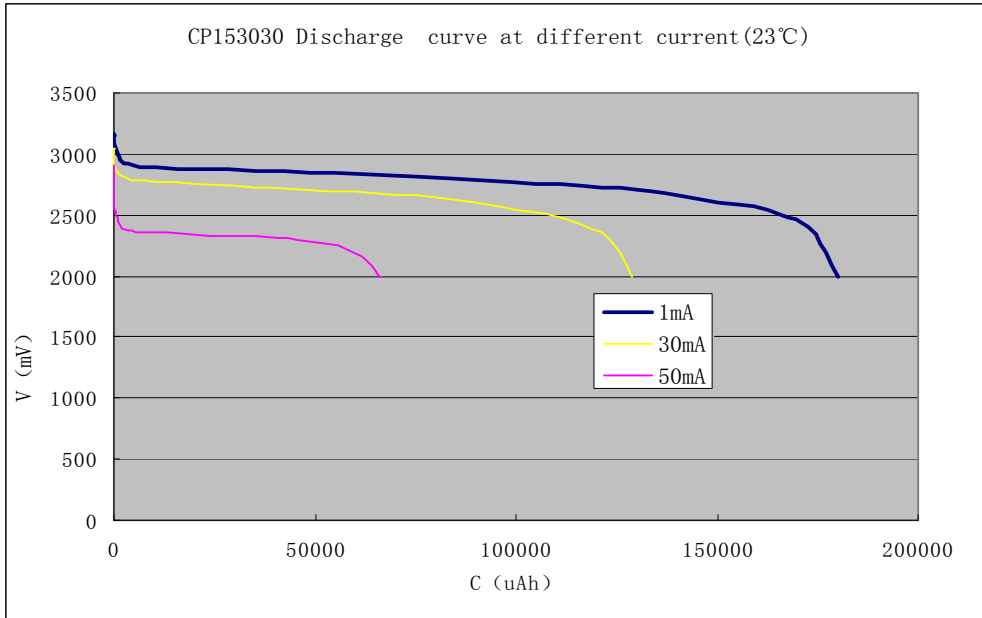
Email:sales@gmbattery.com

### Discharge Curve

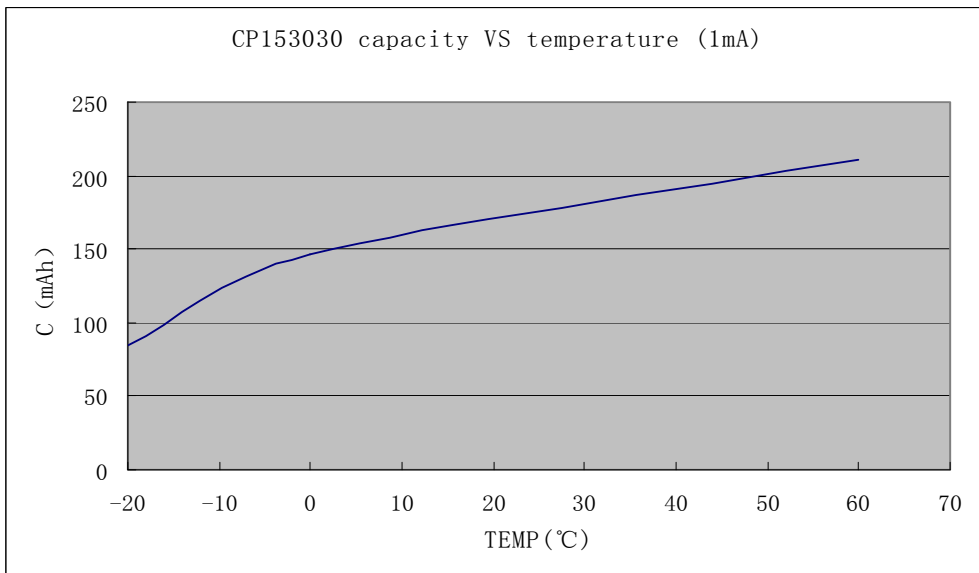
Constant Current

DATE SHEET- CP153030

3.0V/120mAh



### Capacity VS Temperature



Guangzhou Markyn Battery Co., Ltd.

Block 2, haijing Road 06, Markyns industrial Zone, Xinzao Town,  
Panyu District, Guangzhou, P.R.C..

Tel: (86)20 — 34729558 Fax:(86)20 — 3476 5531

Email:sales@gmbattery.com

