

Yaoxing Aluminum Curtain Wall

We deliver one-stop,
turnkey curtain wall systems tailored to global projects.



EXPERT
IN OVERSEAS GLASS
CURTAIN WALL SOLUTIONS



Whatsapp

Wechat

Foshan Yaoxing Aluminum Co.,Ltd.
Whatsapp/Tel: +86-133 36412162
Address: No. 8 Xinghong South Road, Phase two,
Changhong Ling Industrial Park, Shishan Town, Nanhai
District, Foshan, Guangdong, China.

OUR PRODUCTS:

Framed Aluminium Glass Curtain Wall
Frameless Aluminium Glass Curtain Wall
Steelwork Glass Curtain Wall
Integrated Door & Window & Louvers – Curtain Wall-Matched Units

Company Profile

Yaoxing Aluminium, with over 30 years of experience in the aluminium industry, is a professional manufacturer of aluminium materials and glass curtain wall systems. Leveraging profound accumulation in aluminium production and exquisite manufacturing technology, we focus on R&D, production and services in the curtain wall field, accurately meeting the needs of the overseas glass curtain wall market and building a diversified and high-quality product portfolio.

Our product range is comprehensive, covering core categories such as Framed Aluminium Glass Curtain Wall, Frameless Aluminium Glass Curtain Wall and Steelwork Glass Curtain Wall, along with matching door & window assemblies integrated with louvers, fully satisfying the customized needs of various engineering projects. Beyond product manufacturing, we are committed to providing one-stop solutions for curtain wall systems. From scheme design, raw material selection, production control to delivery, we strictly control quality throughout the process, and build safe, beautiful and durable building curtain wall spaces for global customers with professional strength.



Patent Certificate



20

YAOXING

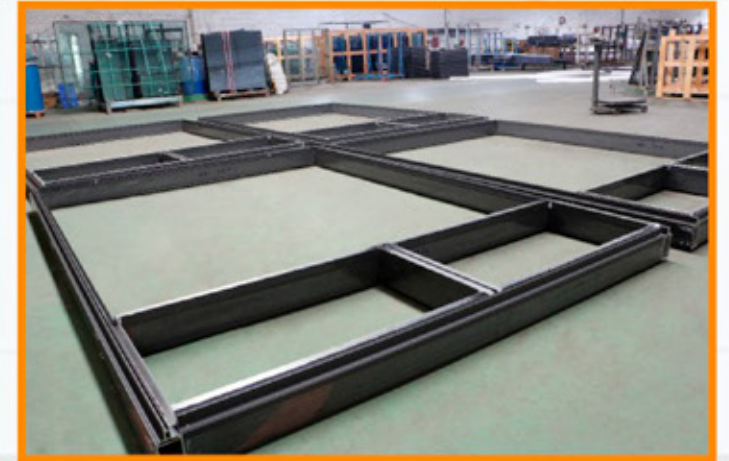
CURTAIN WALL
20 YEARS OF EXPERIENCE IN GLASS
CURTAIN WALL PRODUCTION

4000⁺ M²

PLANT AREA

50000⁺ M²

ANNUAL OUTPUT



**WE PROVIDE OVERSEAS
INSTALLATION AND
TECHNICAL SUPPORT!!**



CONTENTS

Framed Aluminium Glass Curtain Wall

Full-Framed

80-200*65mm Full Frame Aluminium Glass Curtain Wall	07
100-200*65mm Thermal-break Full Frame Aluminium Glass Curtain Wall	08
35mm Minimalism Thermal-break Full Frame Aluminium Glass Curtain Wall	09
50mm Thermal-break Full Frame Aluminium Glass Curtain Wall	10

Hidden-Frame

65-200*65mm Hidden Frame Aluminium Glass Curtain Wall	12
35mm Minimalism Hidden Frame Aluminium Glass Curtain Wall	13

Semi-Hidden-Frame

80-200*65mm Half Hidden Frame Aluminium Glass Curtain Wall	14
--	----

Frameless Aluminium Glass Curtain Wall

Point-Supported

Point-fixed Glass Curtain Wall	16-17
--------------------------------	-------

Full-Glass

Full Glass Curtain Wall	18
-------------------------	----

Steelwork Glass Curtain Wall

140*65mm Steelwork Glass Curtain Wall	20
140*80mm Steelwork Glass Curtain Wall	21

Integrated Door & Window & Louvers – Curtain Wall-Matched Units

Casement Doors & Windows

50mm Series Aluminium Casement Window and Door	23-24
55mm Series Thermal-break Aluminium Casement Window and Door	25

Floor Spring Doors

46mm Series Aluminium Floor Spring Door	26
---	----

Glass Louvers

100mm Glass Louvers	27
---------------------	----

Project Examples

Application Examples	28-29
----------------------	-------



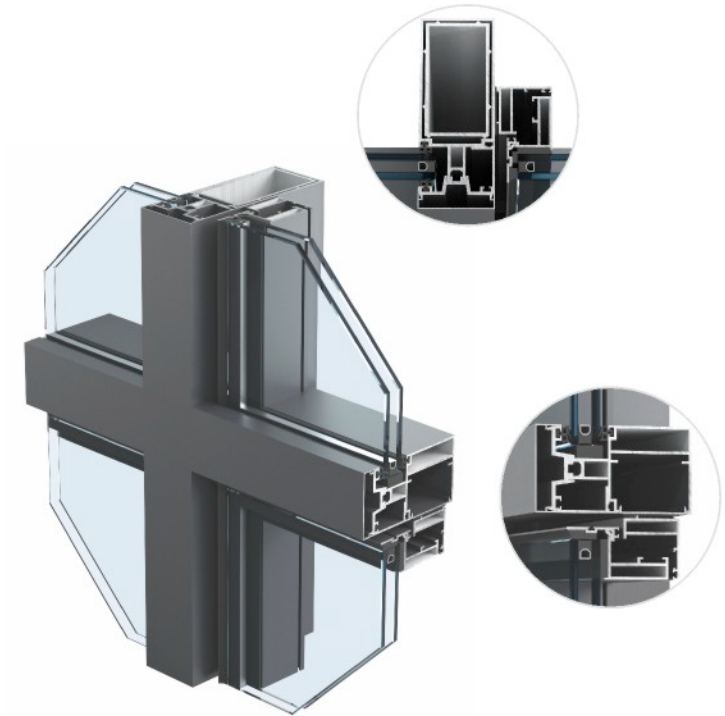
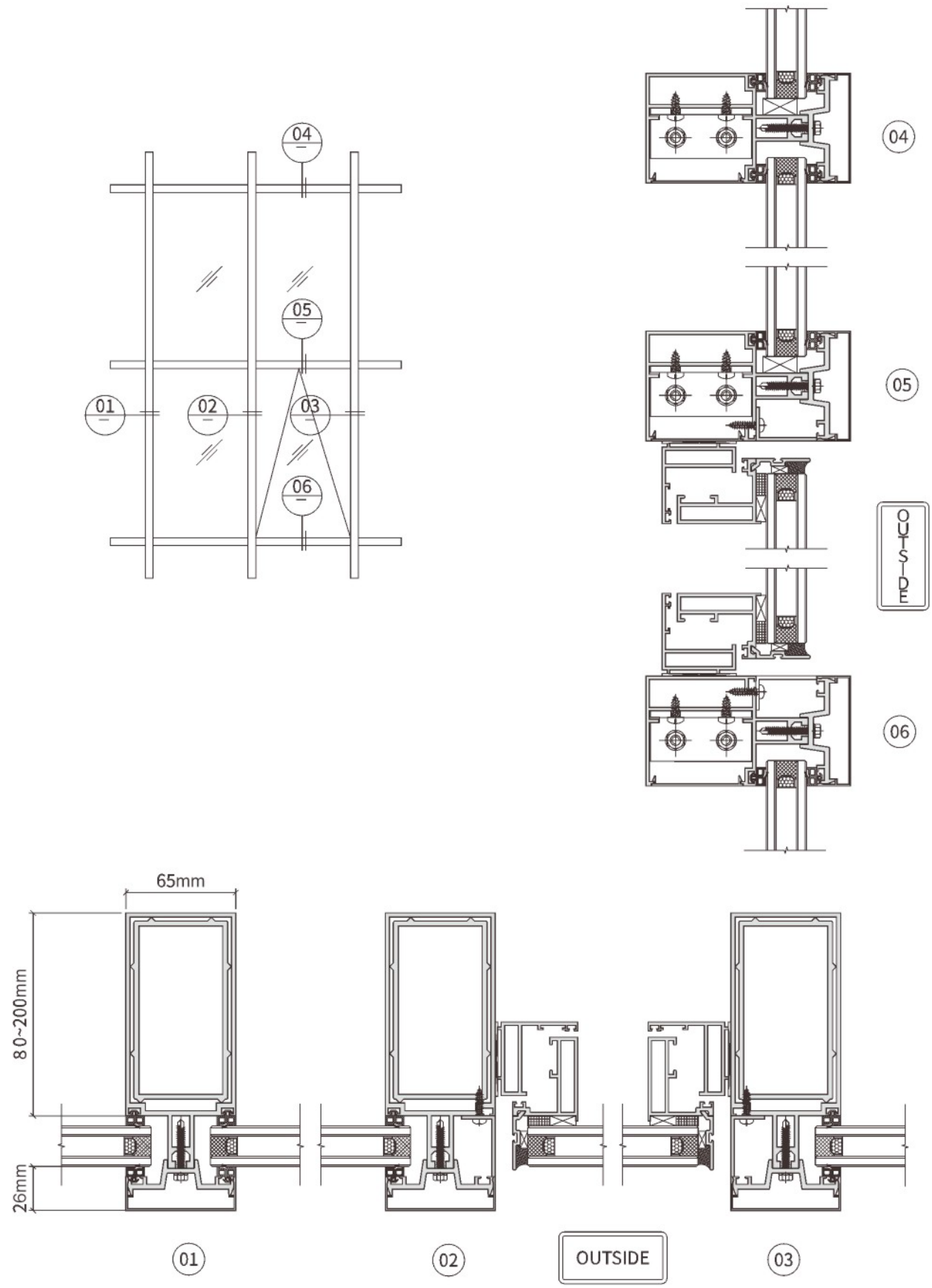
Framed Aluminium Glass Curtain Wall





01 Full Frame

80~200*65mm Full Frame Aluminium Glass Curtain Wall



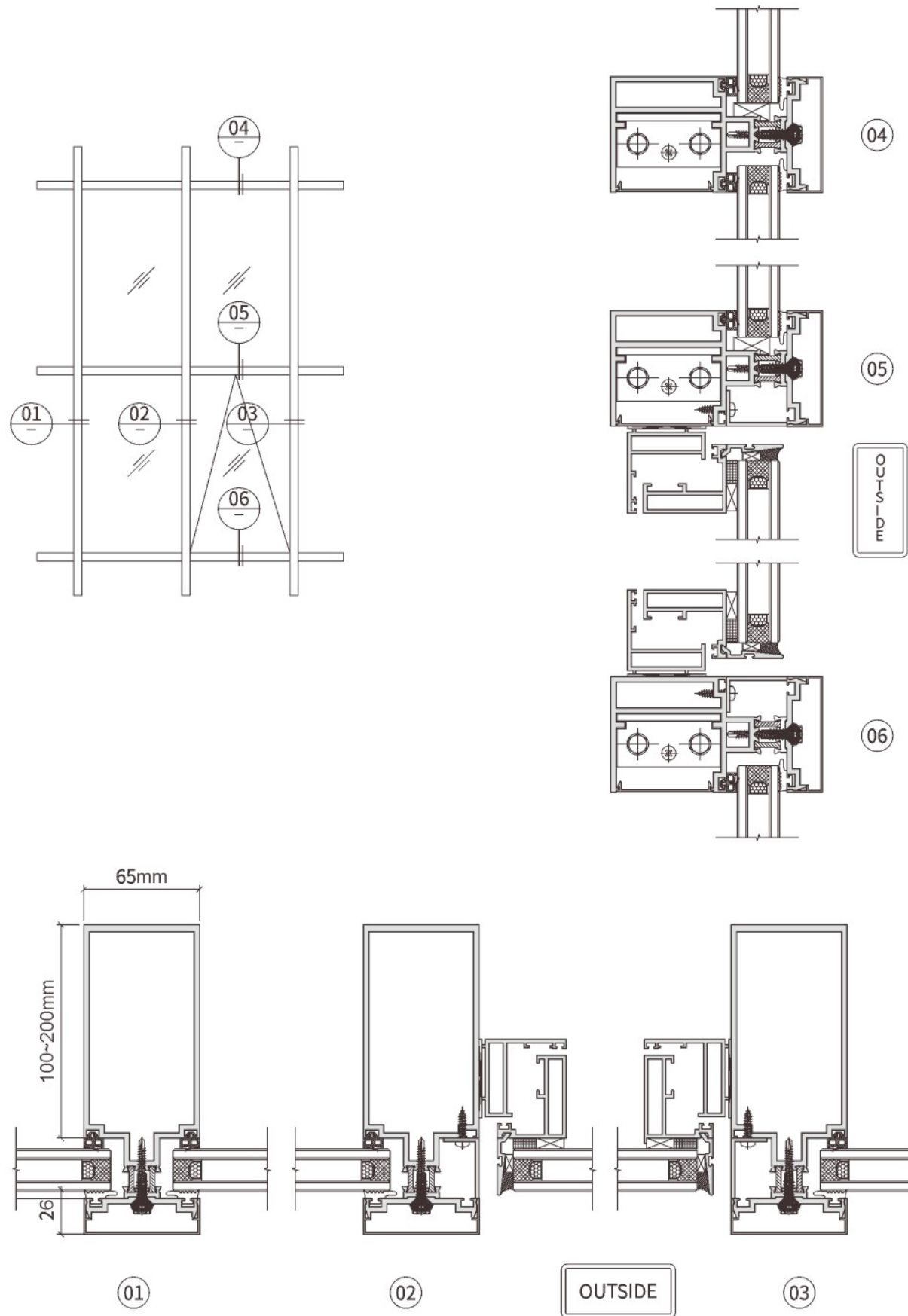
ART
Of Architecture

It is a modern, lightweight, and aesthetically pleasing facade system widely used in high-rise buildings and commercial structures.

Advantages:

- ✓ Durability – Resistant to rust and UV degradation.
- ✓ Lightweight – Reduces structural load compared to masonry.
- ✓ Modern Aesthetics – Sleek, minimalist appearance.
- ✓ Design Freedom – Allows for large glass expanses with slim frames.

100~200*65mm Thermal-break Full Frame Aluminium Glass Curtain Wall



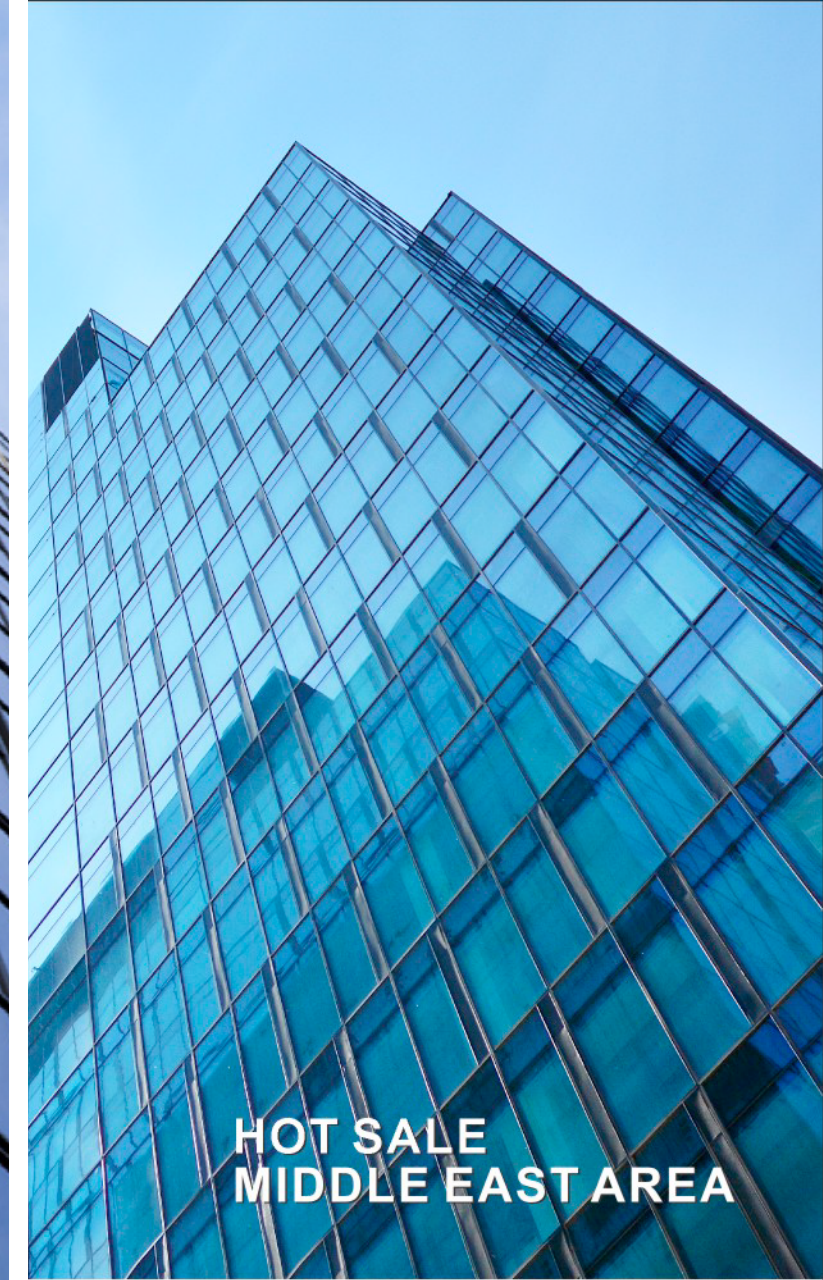
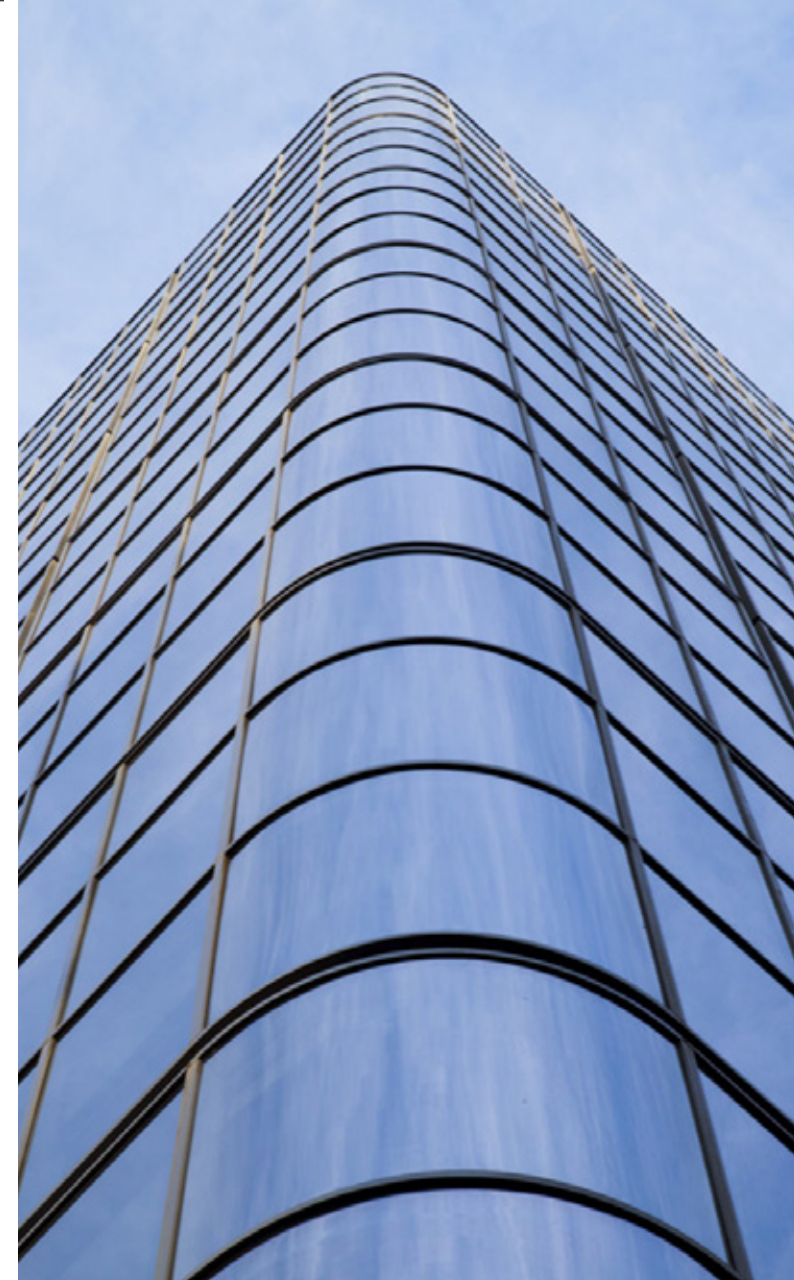
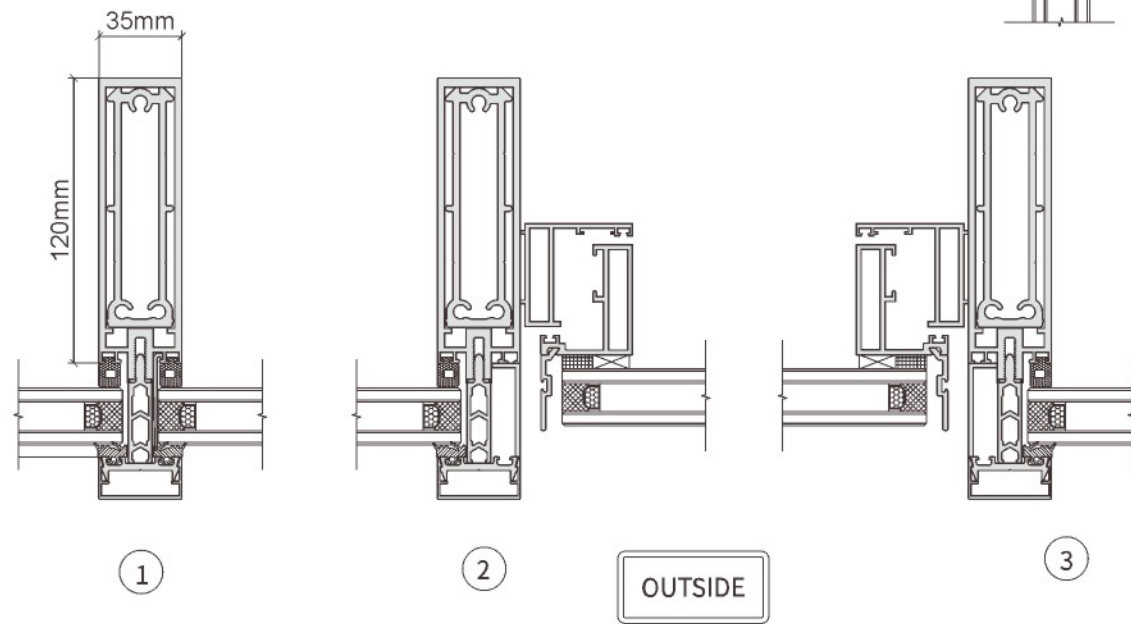
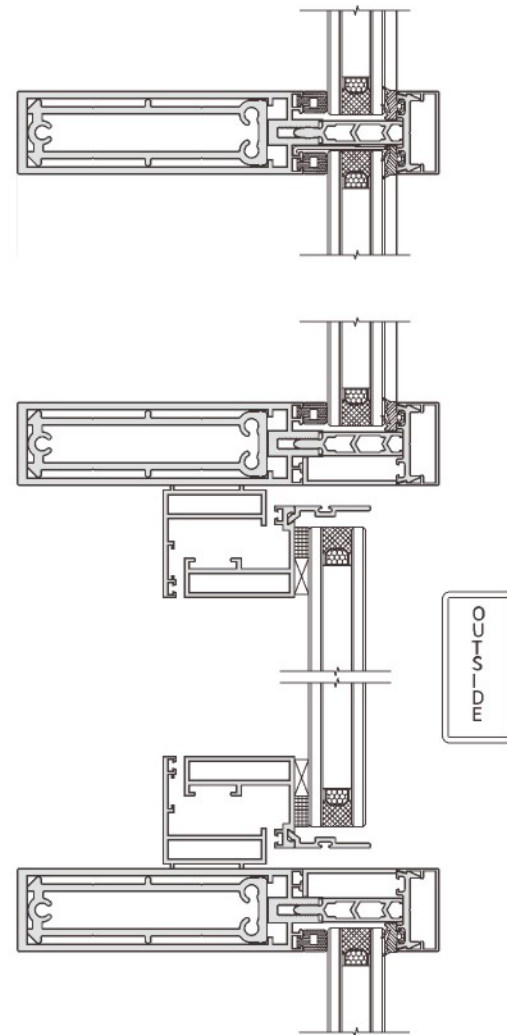
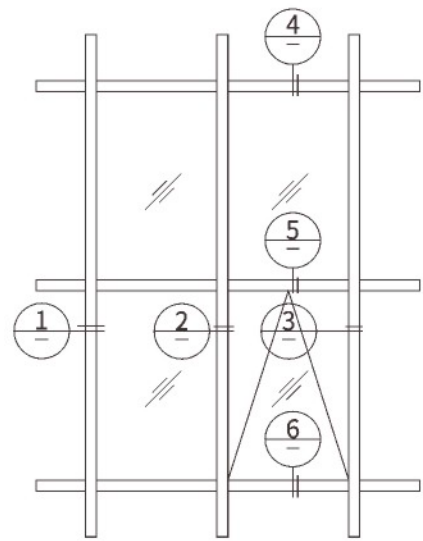
ART Of Architecture

It is an advanced facade system that combines the structural benefits of a full-frame design with enhanced thermal insulation properties, suitable for energy-efficient buildings in extreme climates. Below are its key features:

Advantages

- ✓ Superior thermal performance (reduced heat loss/gain)
- ✓ Prevents condensation & mold growth
- ✓ Energy cost savings (lower HVAC loads)
- ✓ Complies with modern building codes (energy standards)

35mm Minimalism Thermal-break Full Frame Aluminium Glass Curtain Wall



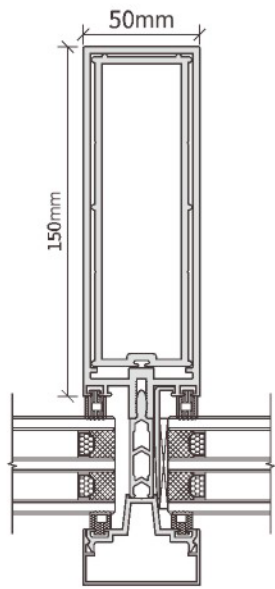
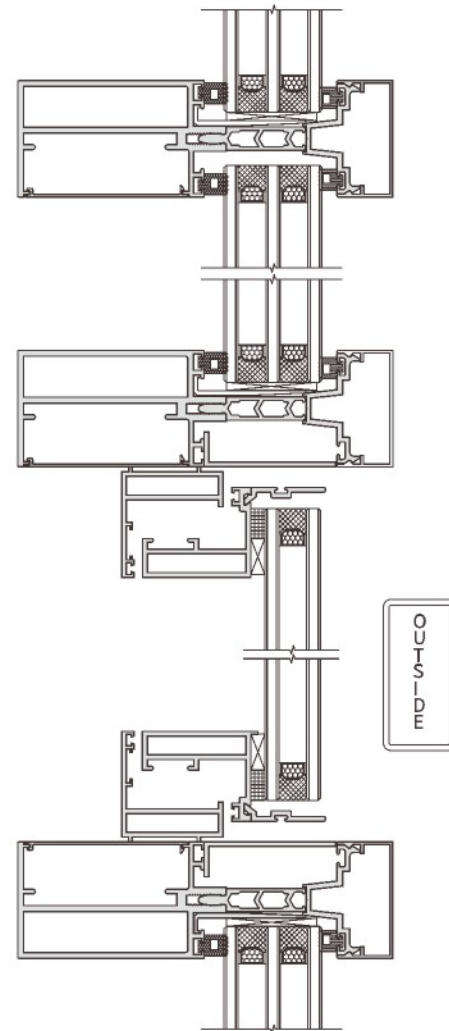
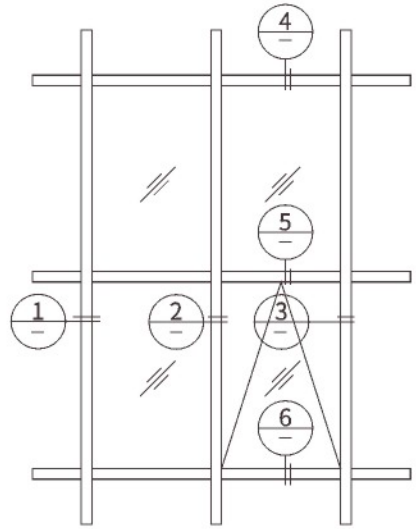
**HOT SALE
MIDDLE EAST AREA**



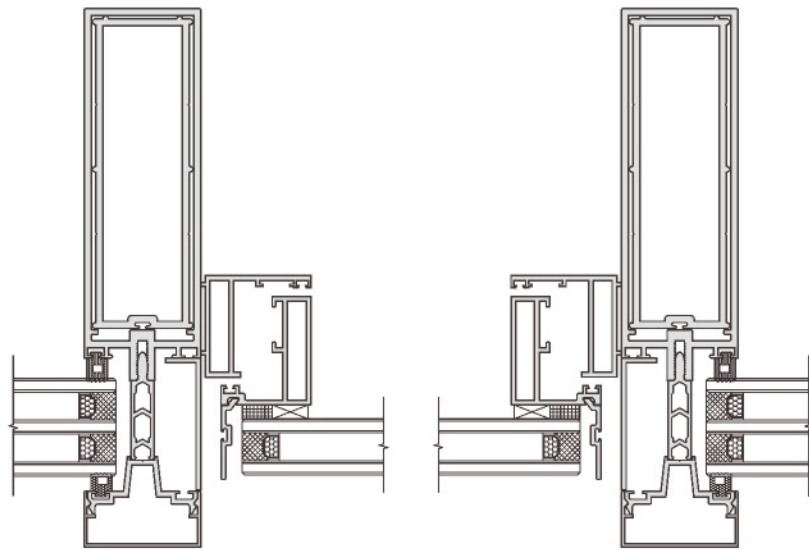
Comparative Advantages:

- The 35mm profile represents the optimal balance between ultra-slim sightlines and structural integrity.
- 30% better thermal performance than standard 50mm systems
 - 40% reduction in aluminum usage vs conventional thermal breaks
 - Maintains full structural capability despite slim profile

50mm Thermal-break Full Frame Aluminium Glass Curtain Wall



①



②

OUTSIDE

③



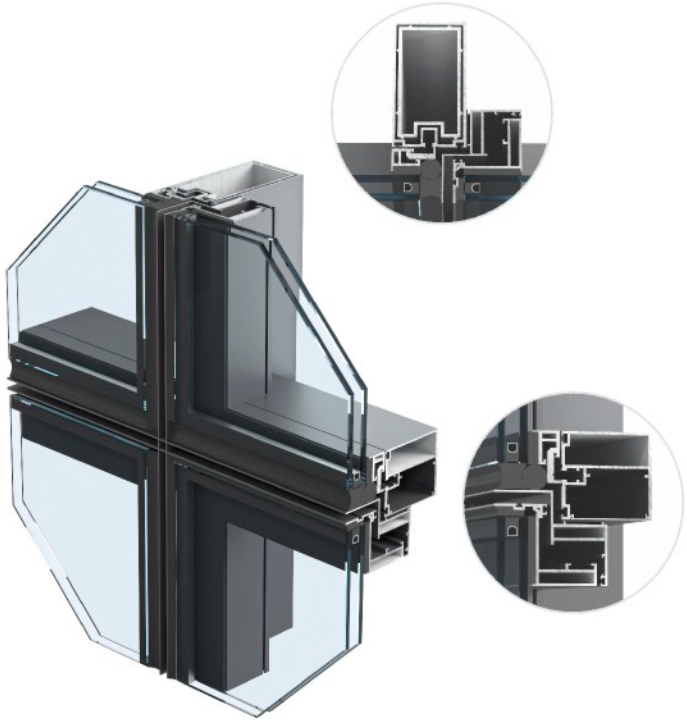
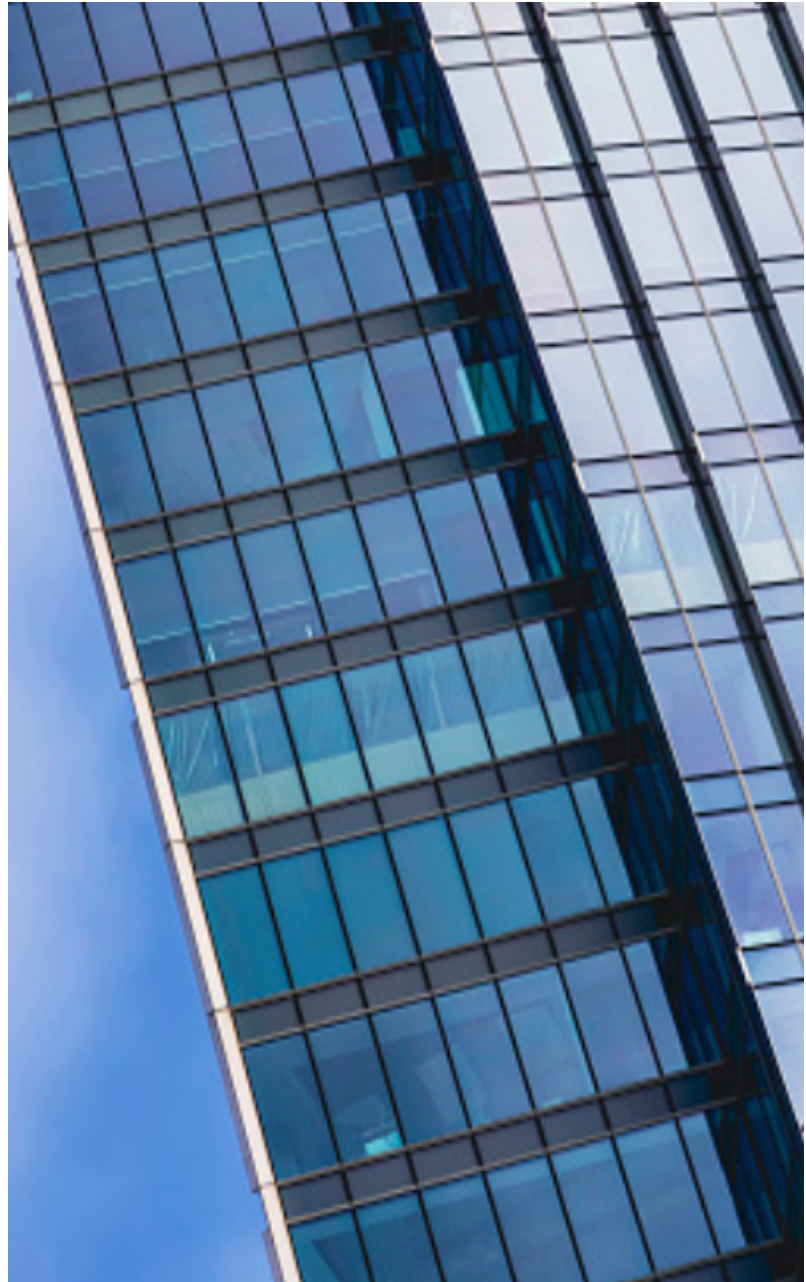
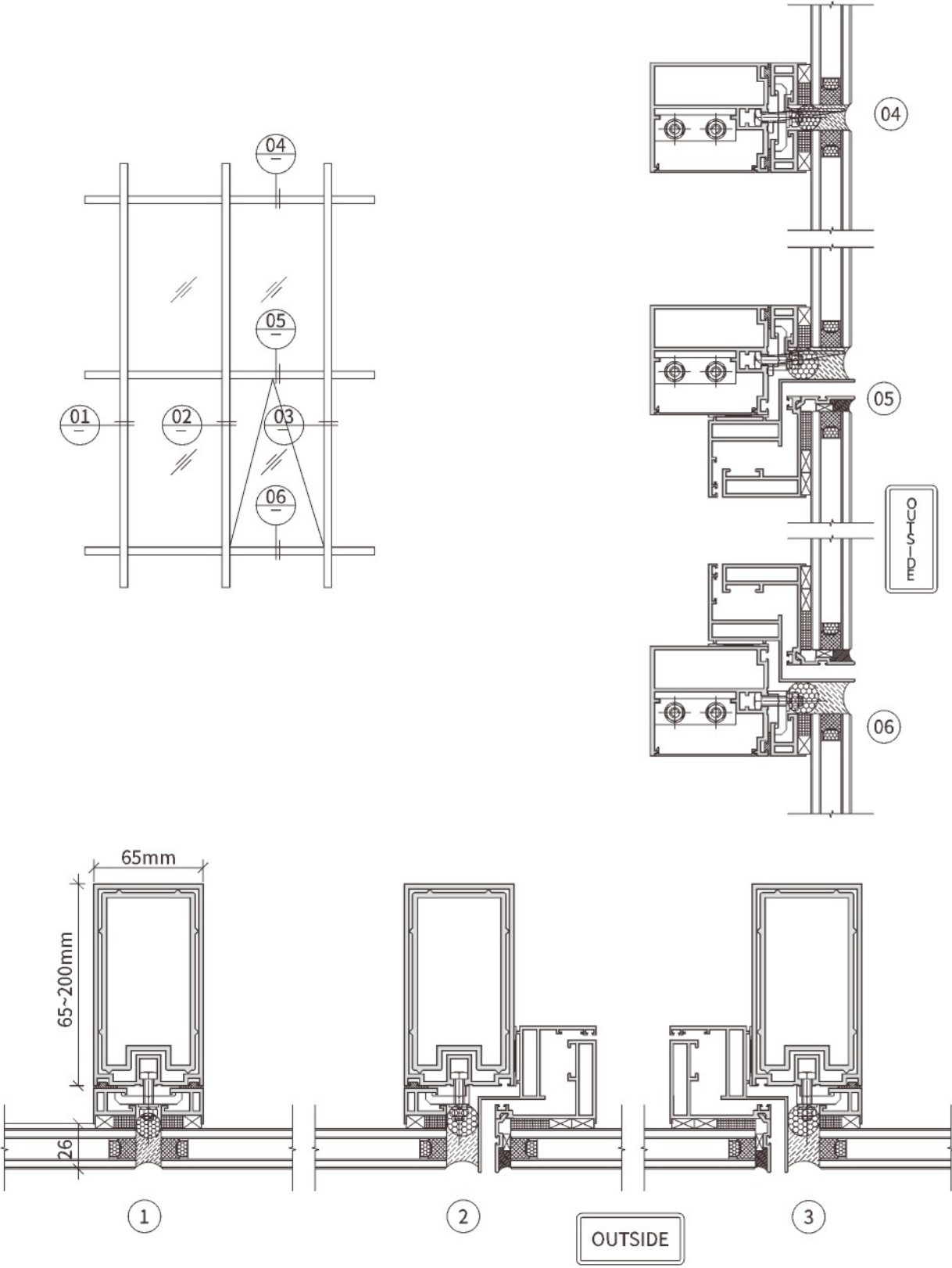
Technical Advantages:

- It delivers reliable thermal efficiency while maintaining structural integrity and cost-effectiveness, suitable for projects requiring proven performance without premium costs associated with ultra-slim systems.
- Optimal balance between thermal performance and structural capacity
 - Cost-effective solution for mid-to-high rise applications
 - Proven performance in extreme climates
 - Simplified maintenance with accessible glazing system



02 Hidden Frame

65~200*65mm Hidden Frame Aluminium Glass Curtain Wall

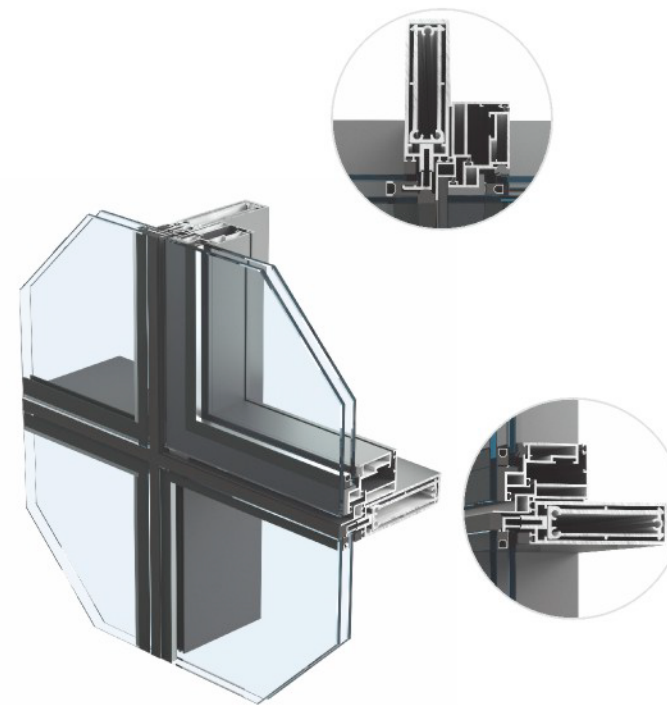
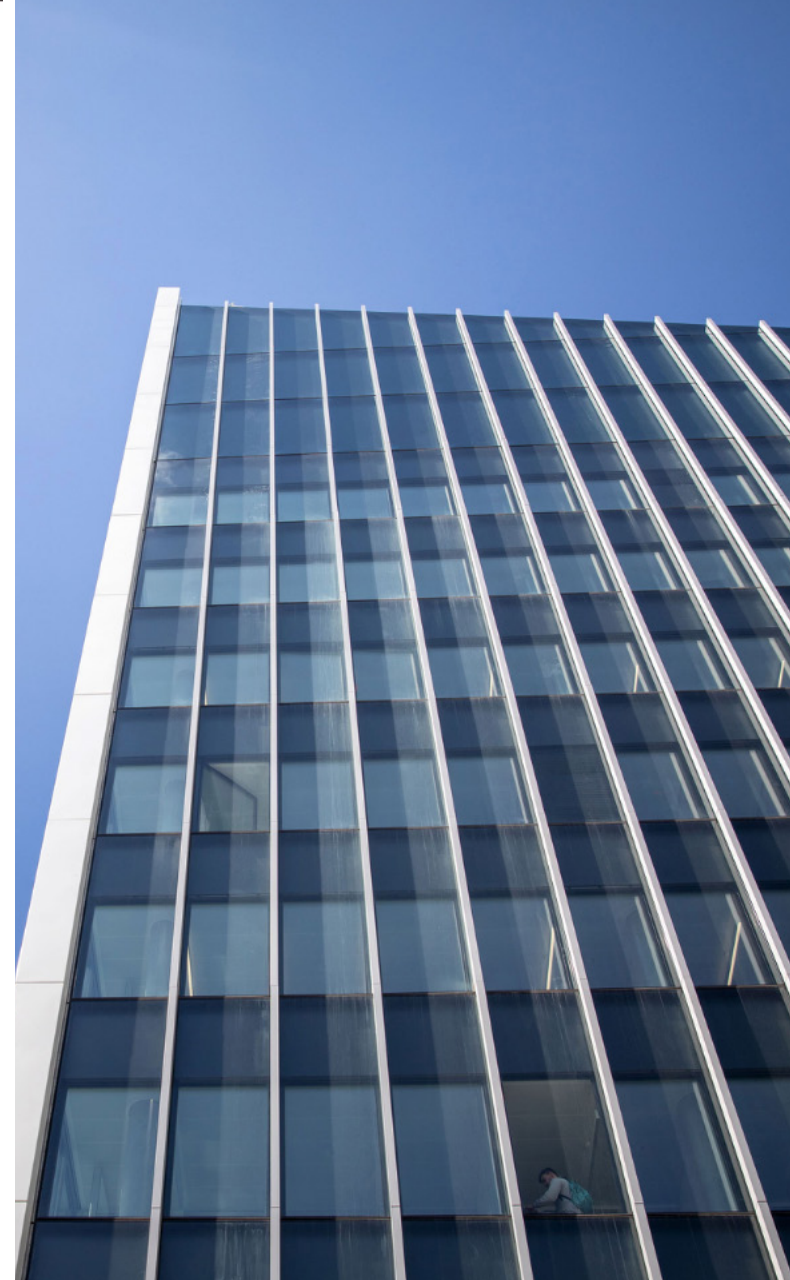
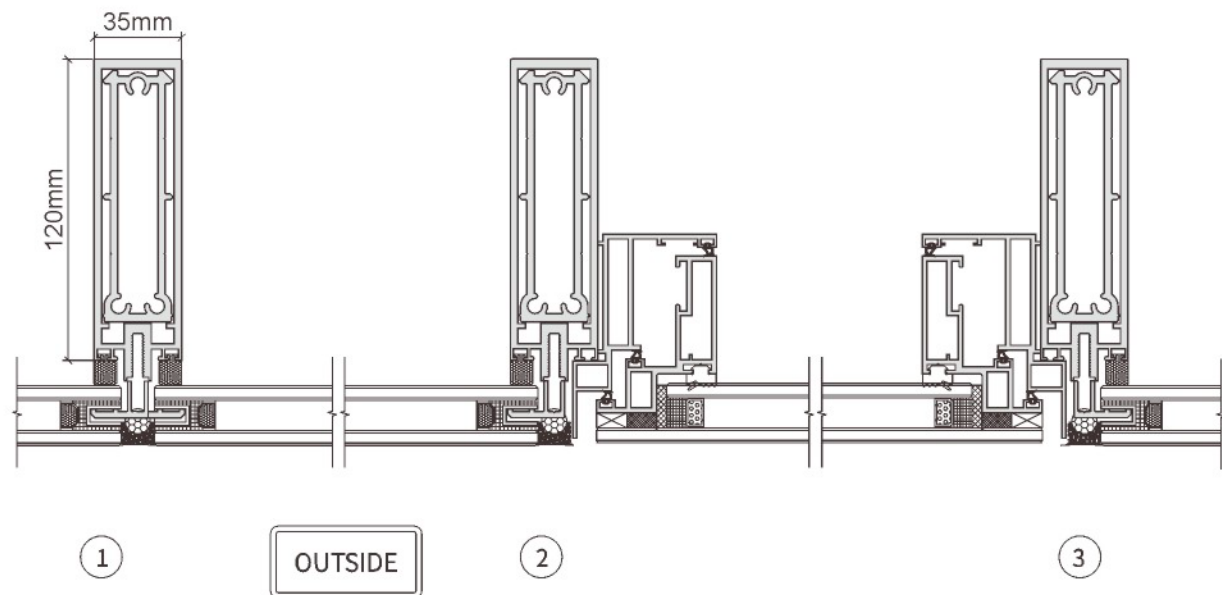
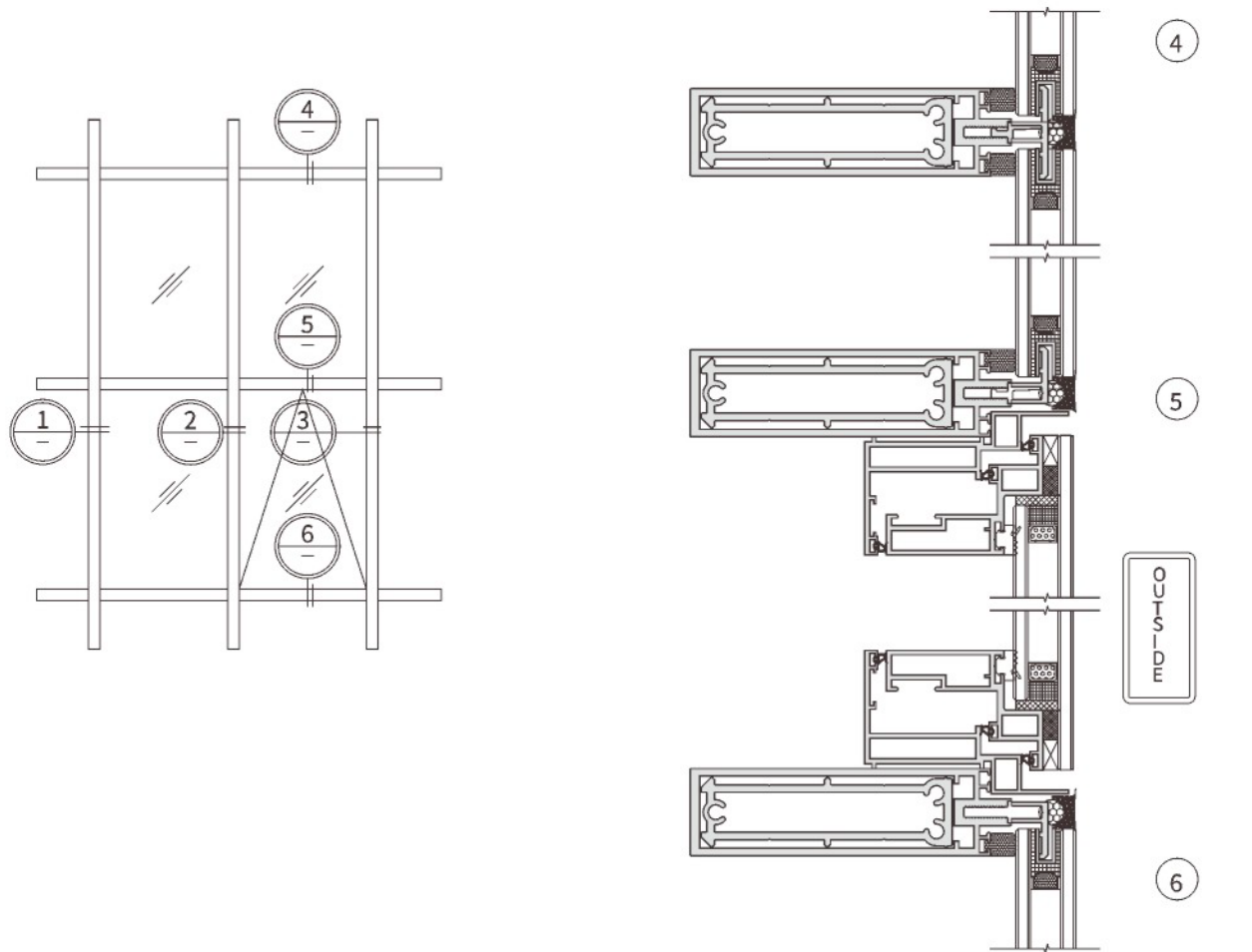


ART
Of Architecture

It is a sleek, modern facade system where the structural aluminum frame is concealed, creating a seamless, all-glass appearance. Ideal for projects prioritizing aesthetics, transparency, and a futuristic look.

- Applications:
- Luxury Hotels & Resorts
 - Corporate Offices & Headquarters
 - High-End Retail Stores
 - Airports & Museums, etc.

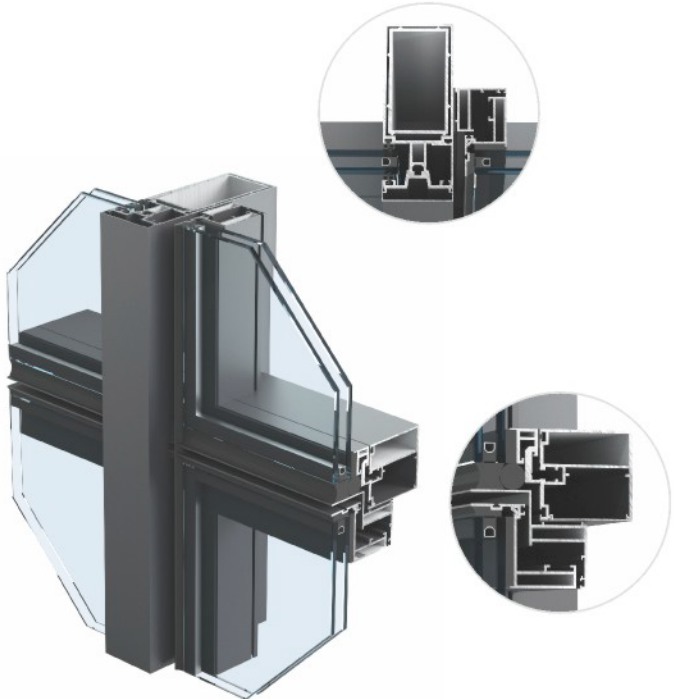
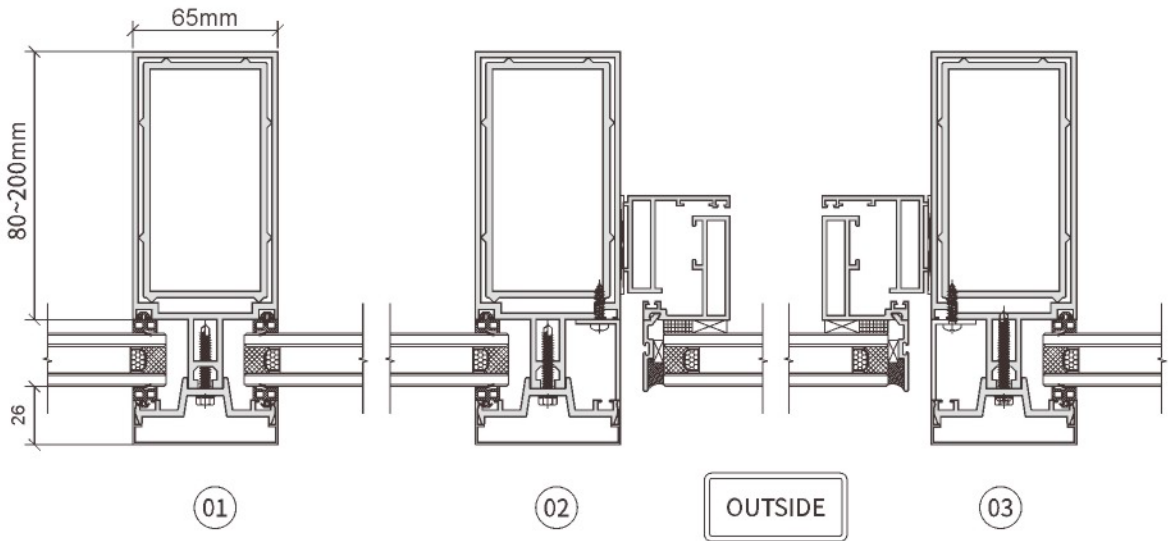
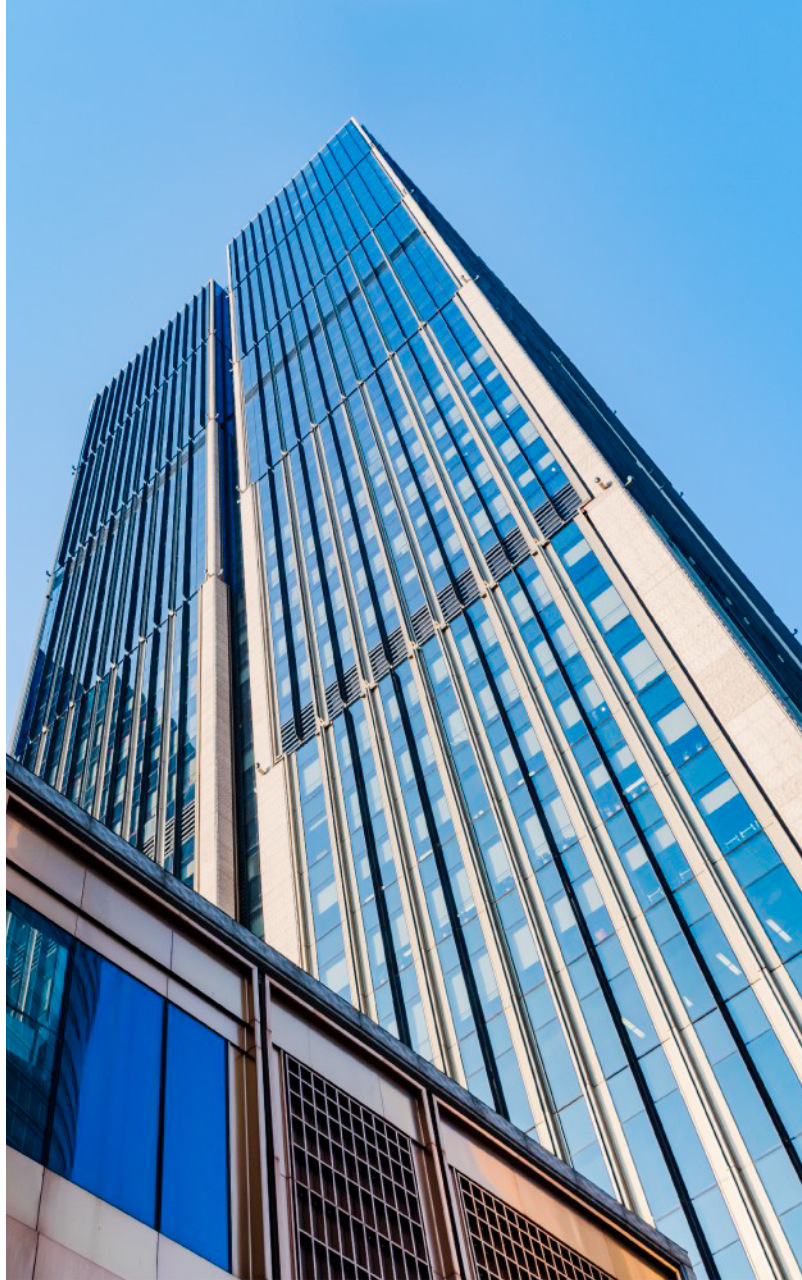
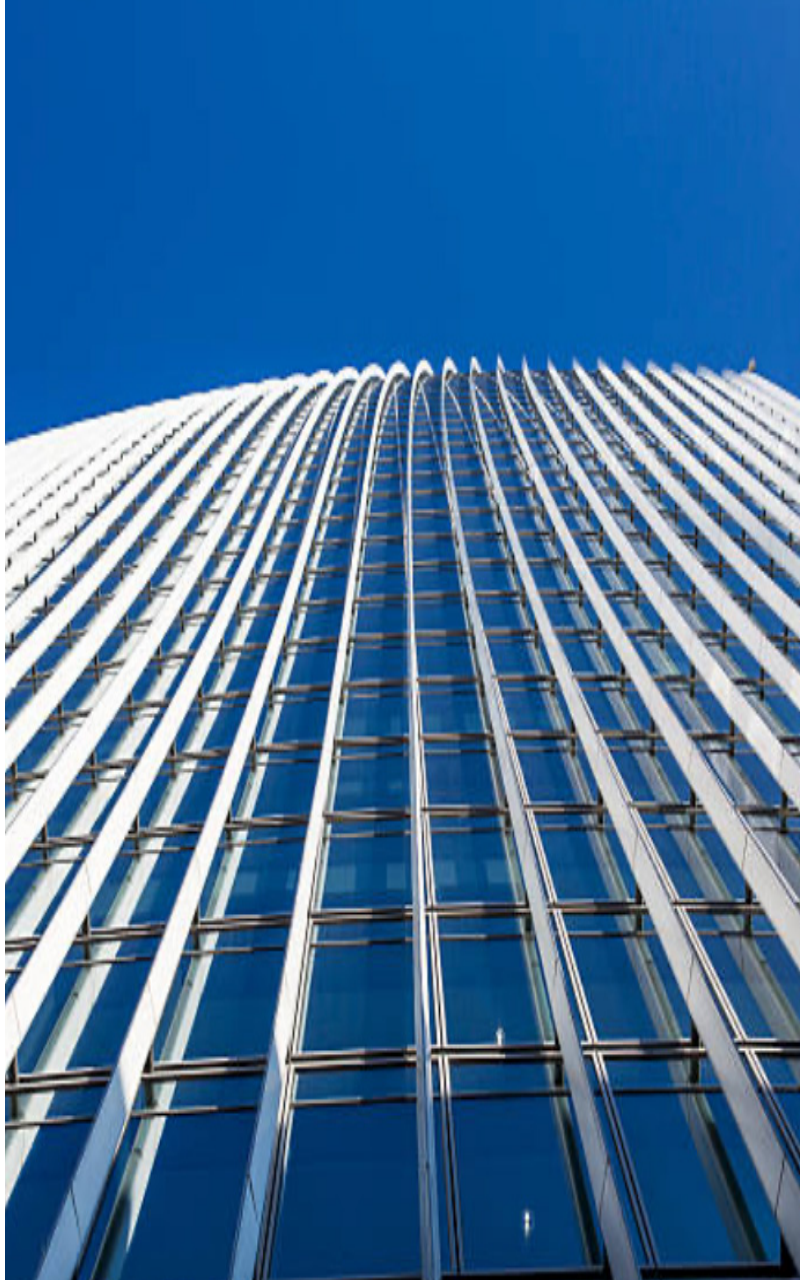
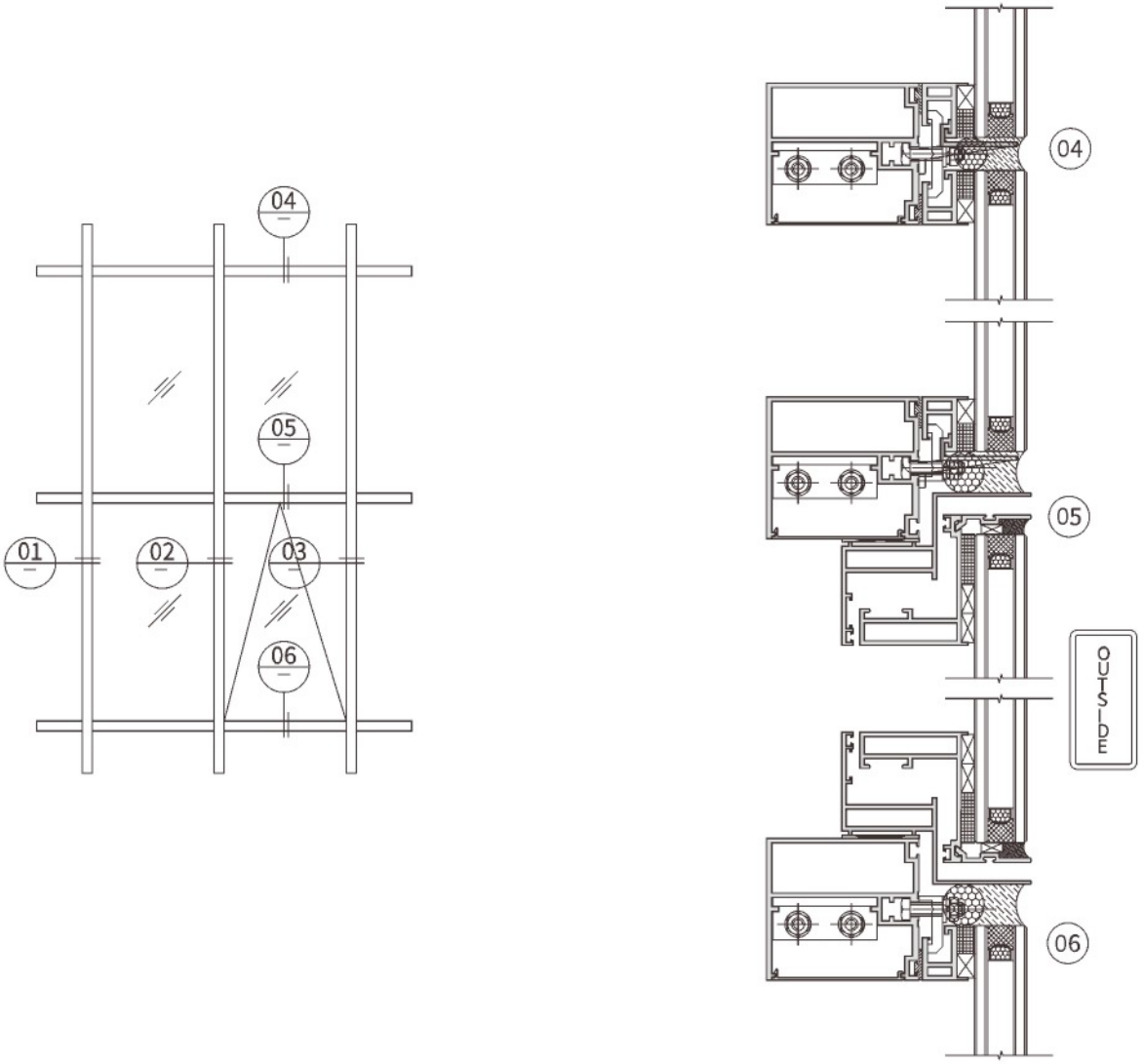
35mm Minimalism Hidden Frame Aluminium Glass Curtain Wall



ART
Of Architecture

It is contemporary facade design, combining ultra-slim profiles with a completely frameless aesthetic. This system is engineered for high-end architectural projects where maximum transparency and minimalist design are paramount.

80~200*65mm Half Hidden Frame Aluminium Glass Curtain Wall

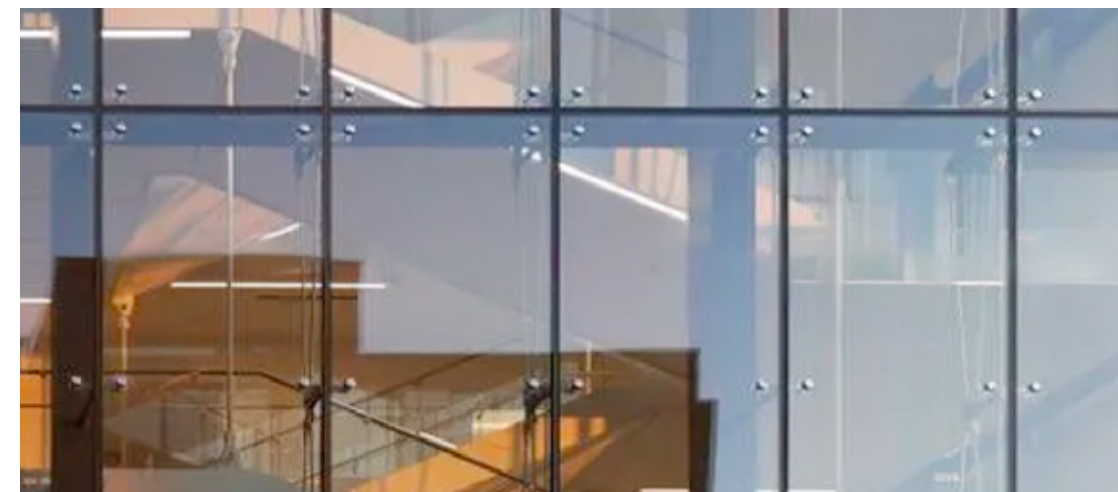


ART
Of Architecture

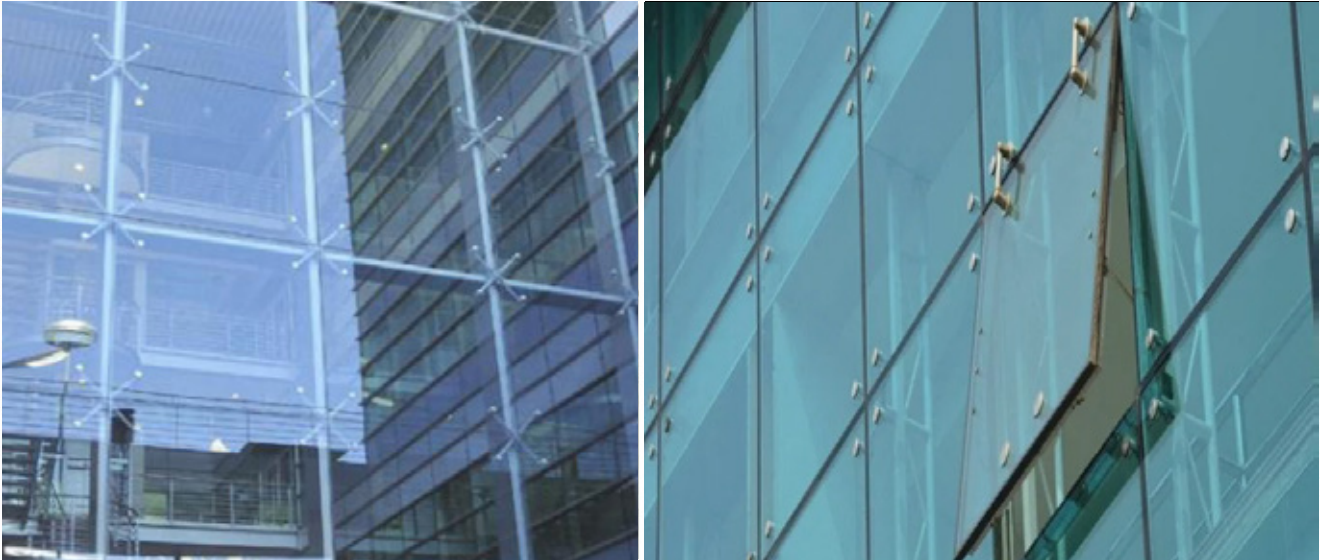
It is a hybrid system that combines elements of both full-frame and hidden-frame designs. It partially conceals the aluminum mullions while keeping some structural framing visible, offering a balance between aesthetics, structural strength, and cost efficiency.



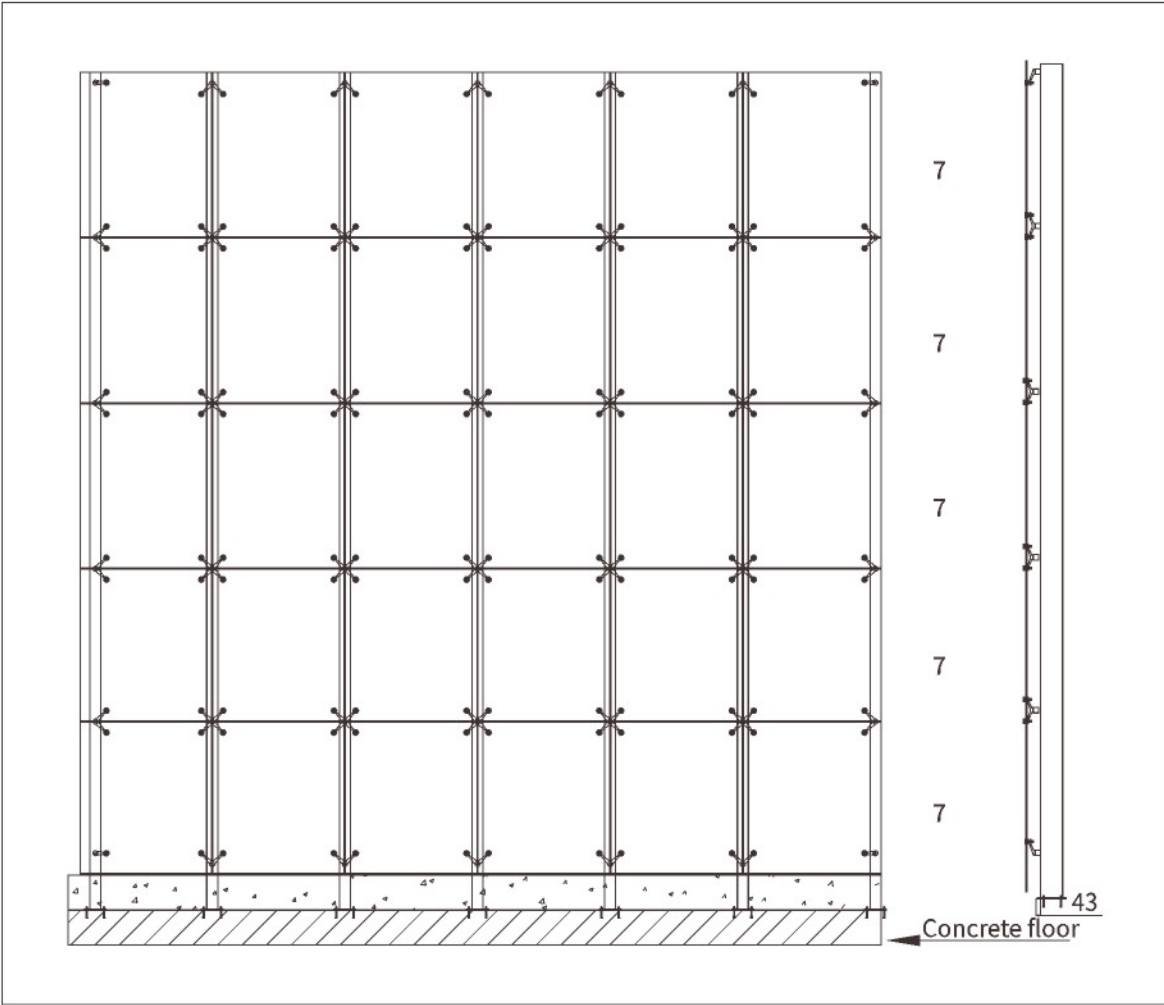
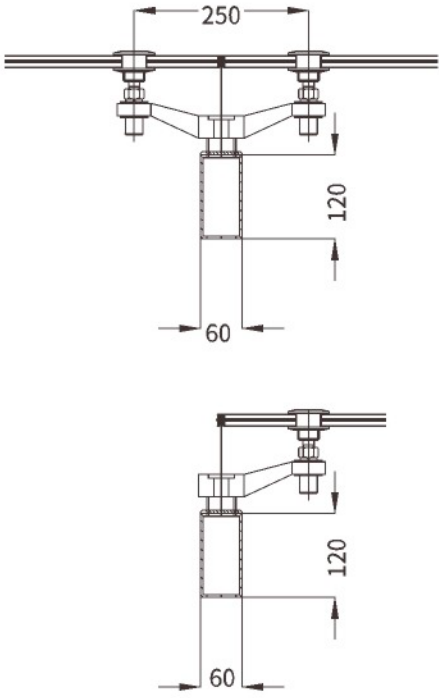
Frameless Aluminium Glass Curtain Wall

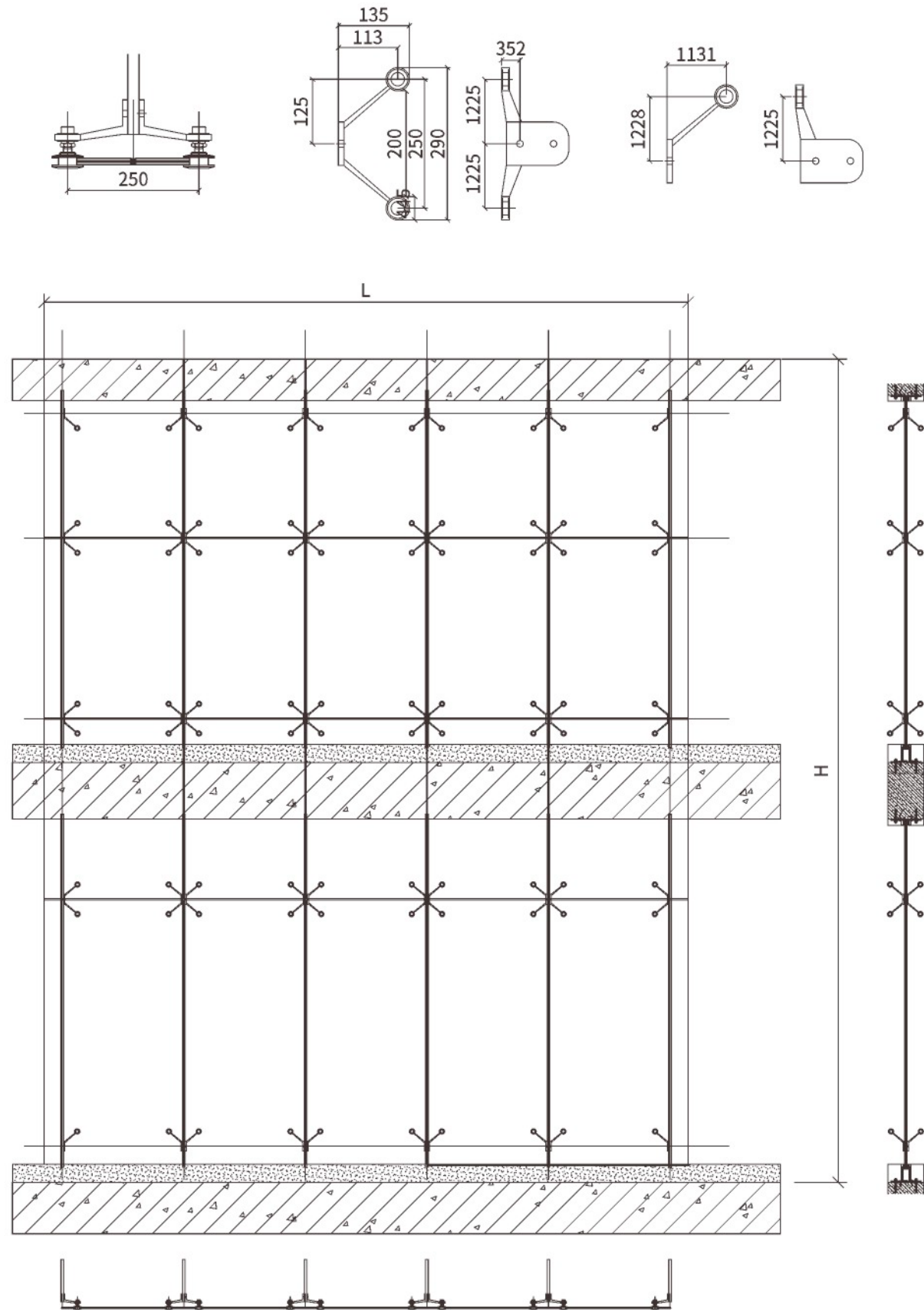


PROJECT EXAMPLES



Point-fixed Glass Curtain Wall

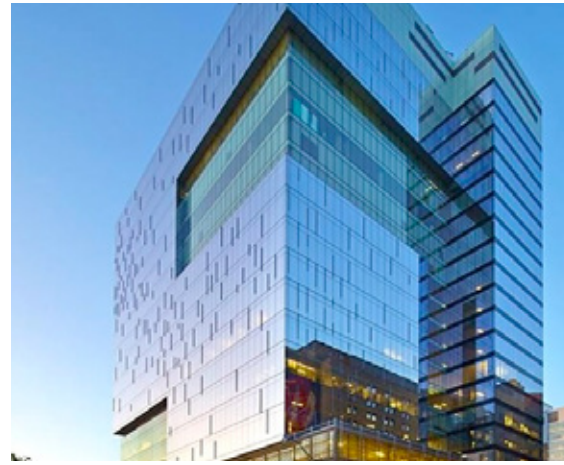




PROJECT EXAMPLES

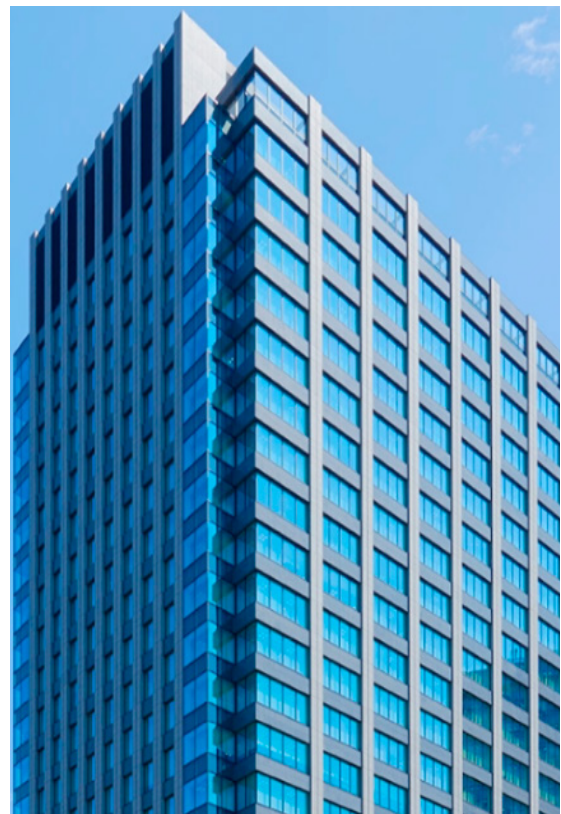


Full-Glass Curtain Wall

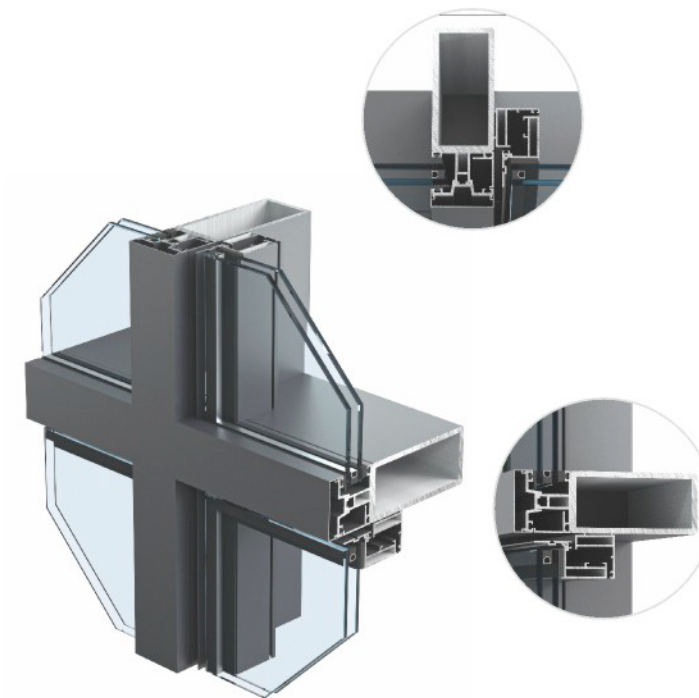
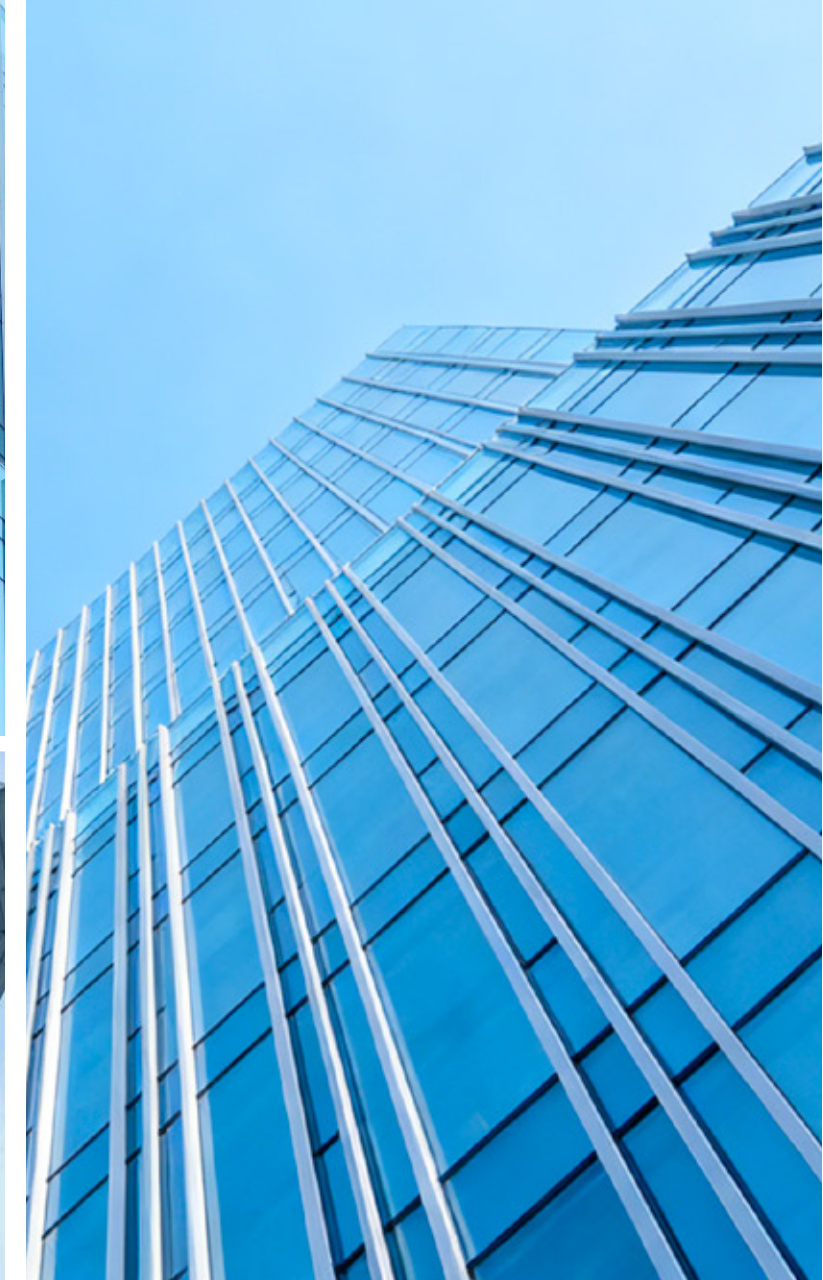
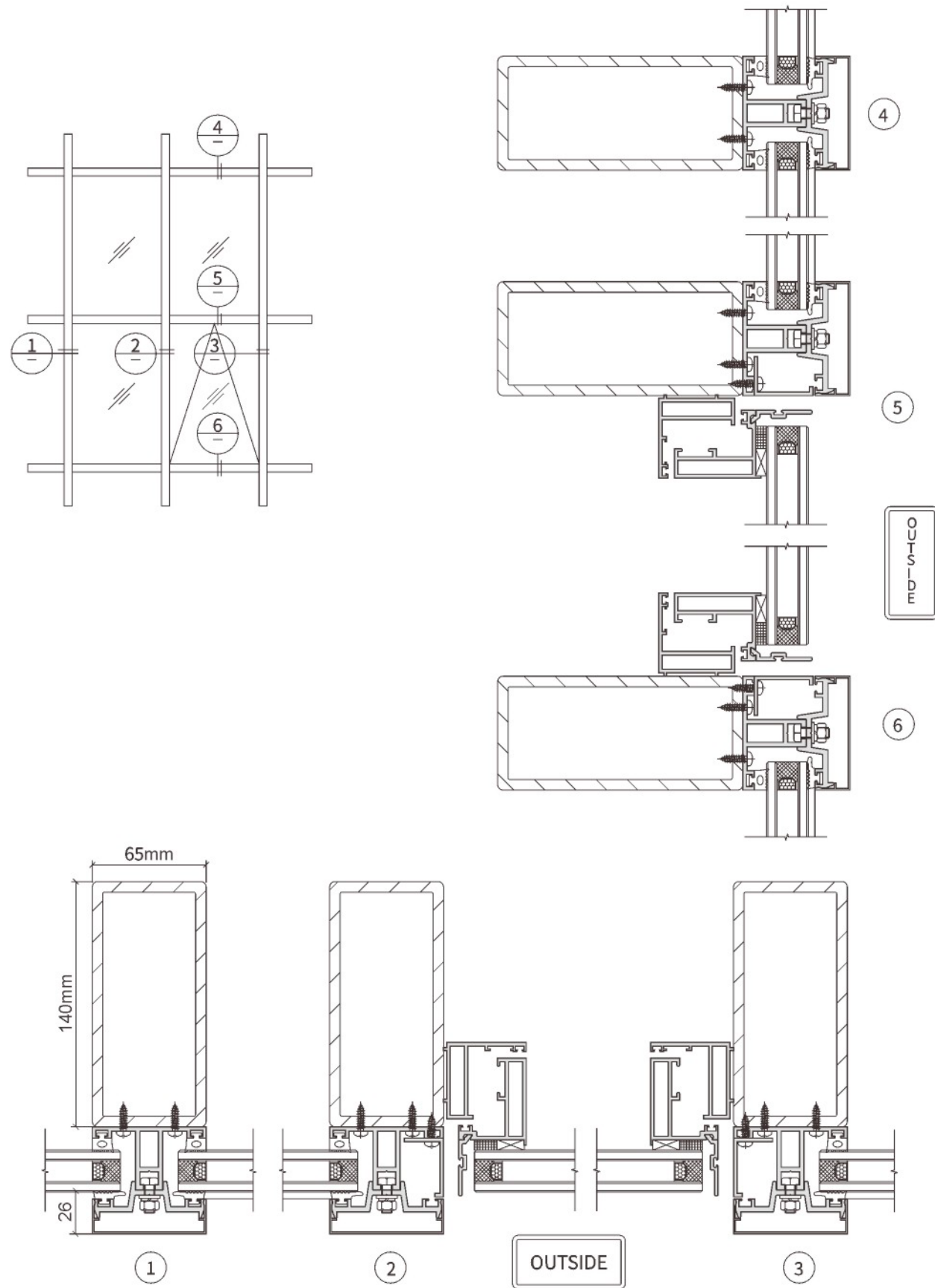




Steelwork Glass Curtain Wall



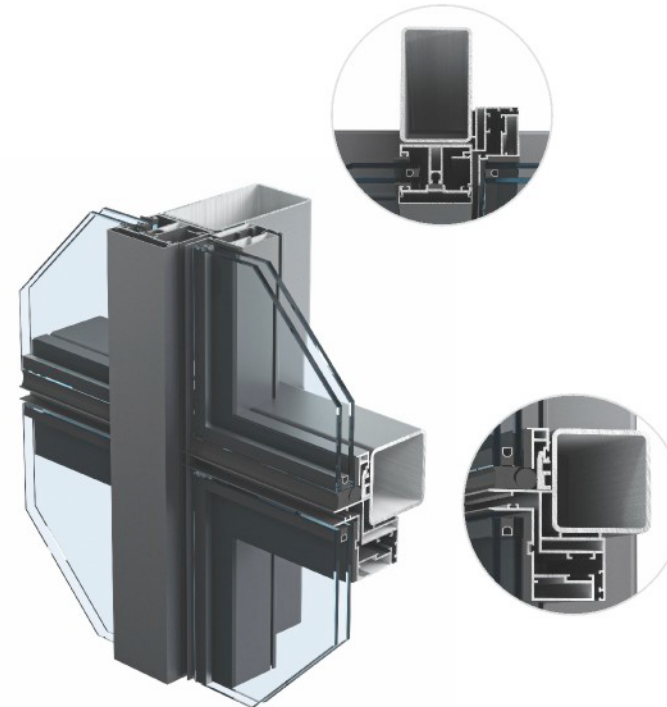
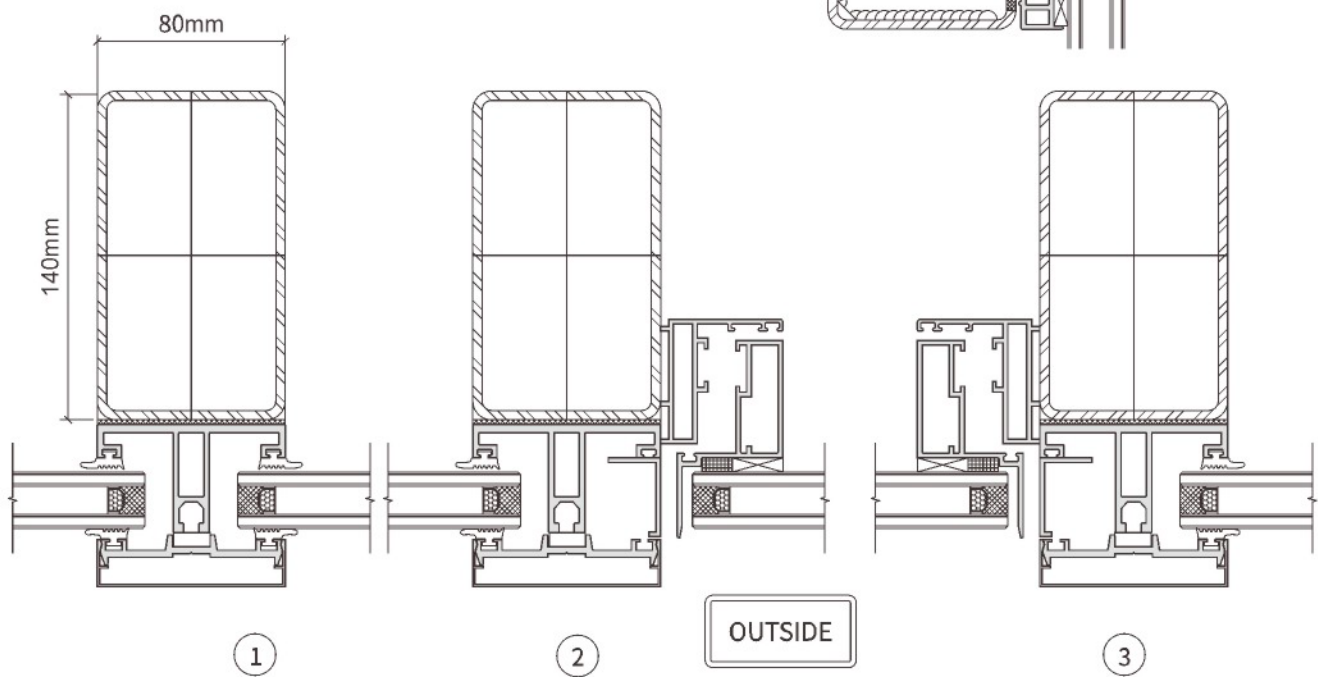
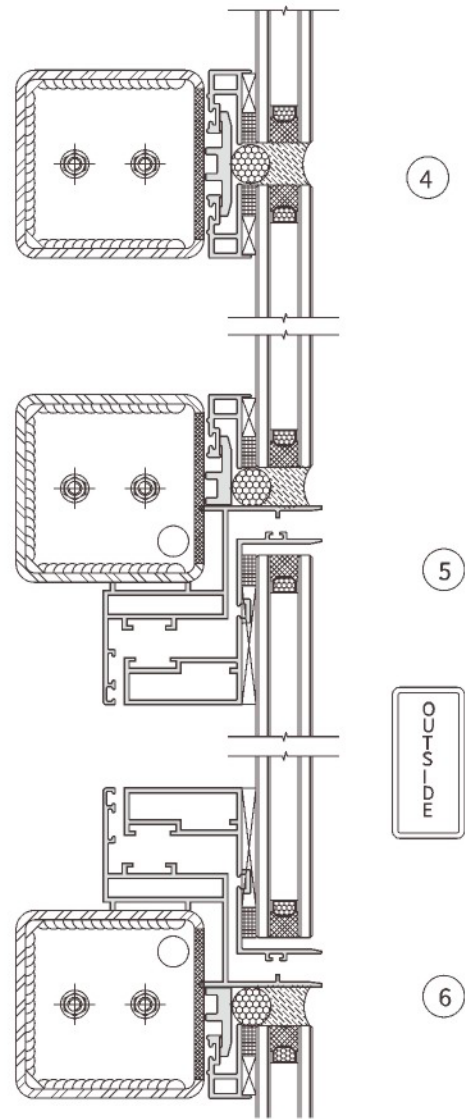
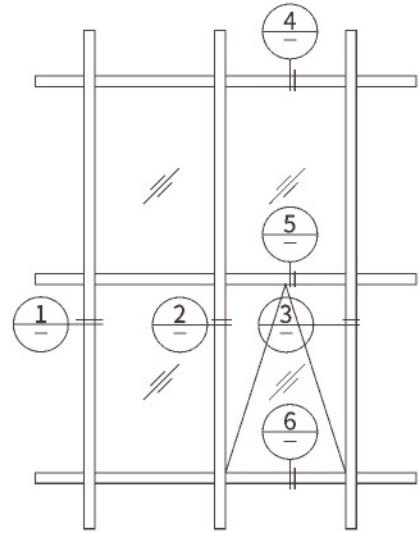
140*65mm Steelwork Glass Curtain Wall



ART Of Architecture

the ultimate in structural glass facade engineering, combining the strength of steel with the transparency of glass to create breathtaking architectural statements, particularly suited for landmark projects where both visual impact and technical excellence are paramount.

140*80mm Steelwork Glass Curtain Wall



ART Of Architecture

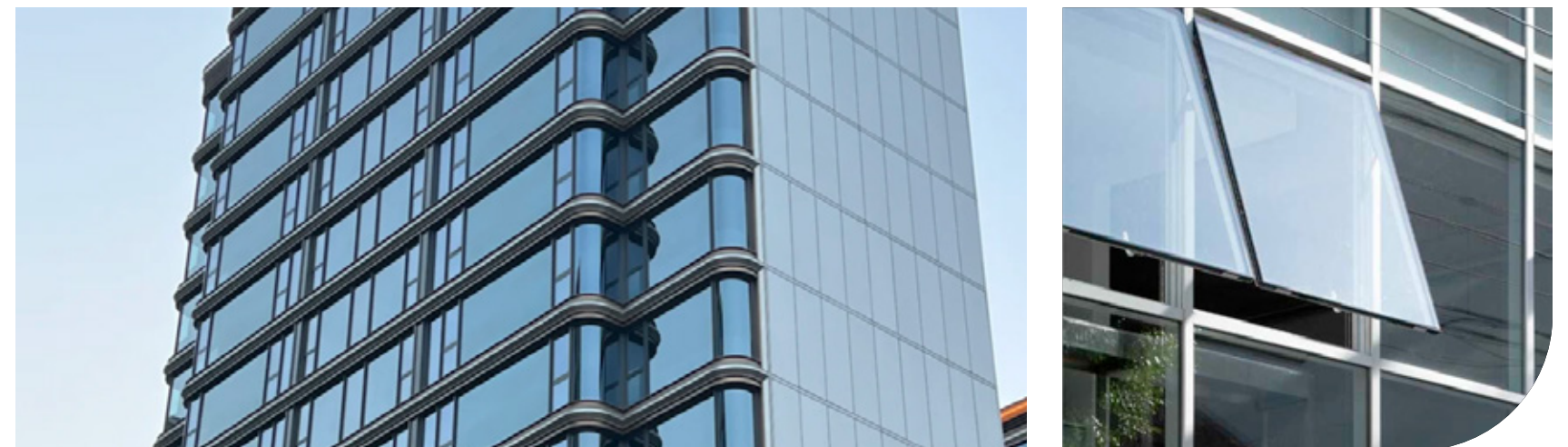
The 35mm profile represents the optimal balance between ultra-slim sightlines and structural integrity.

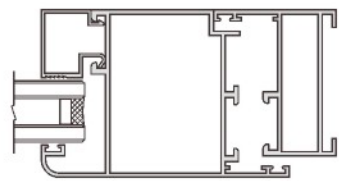
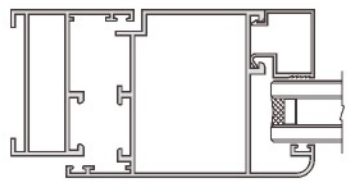
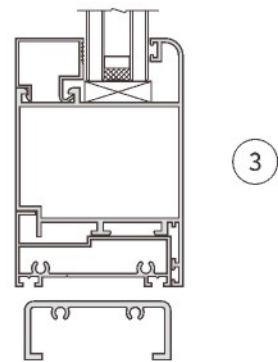
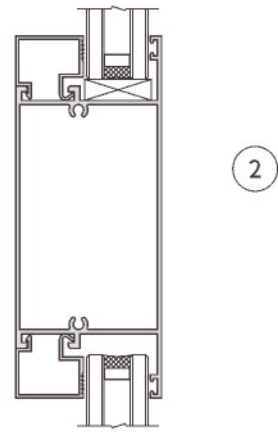
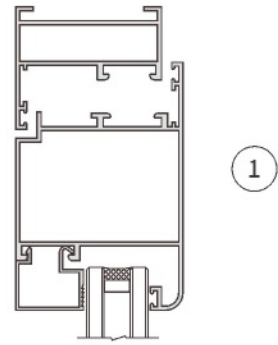
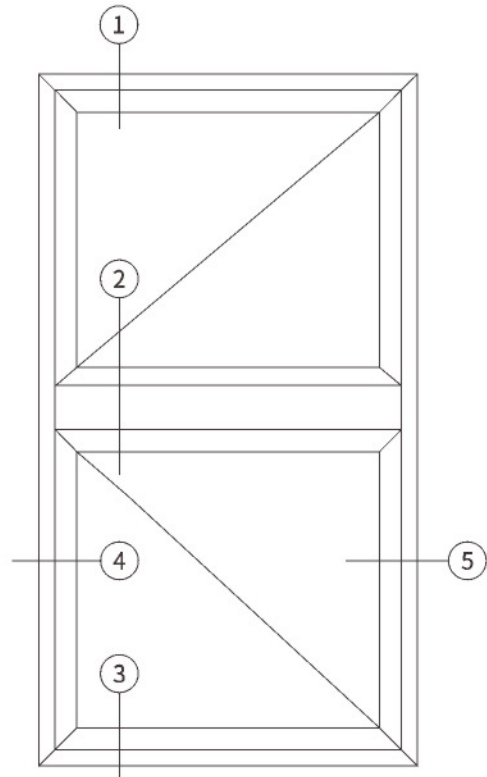
Comparative Advantages:

- 30% better thermal performance than standard 50mm systems
- 40% reduction in aluminum usage vs conventional thermal breaks
- Maintains full structural capability despite slim profile



Integrated Door & Window & Louvers – Curtain Wall-Matched Units



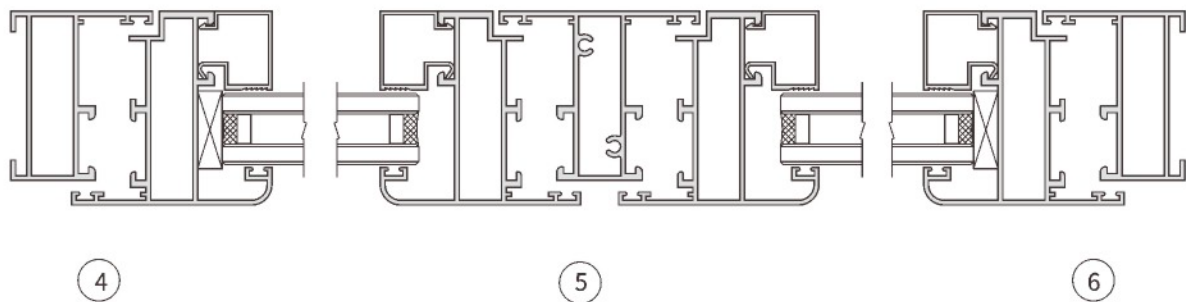
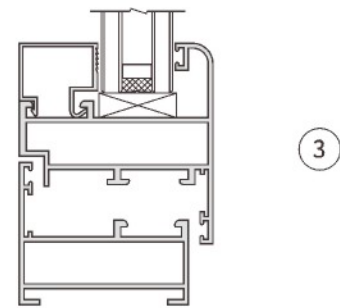
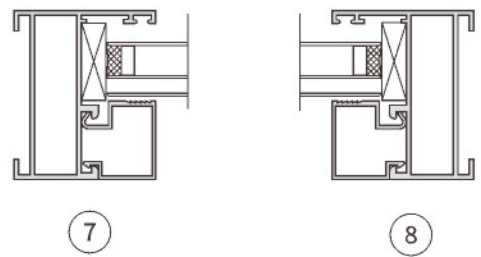
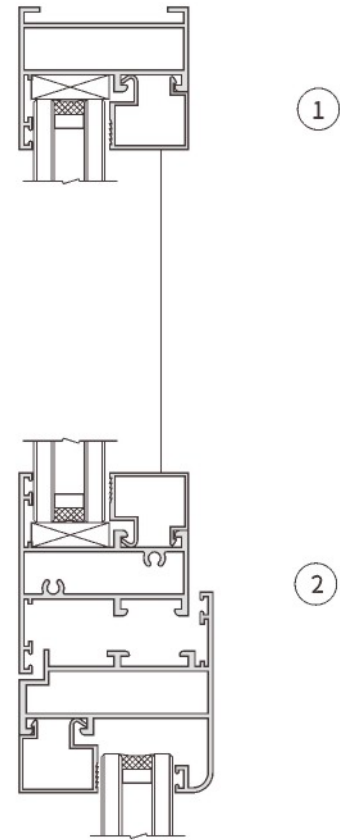
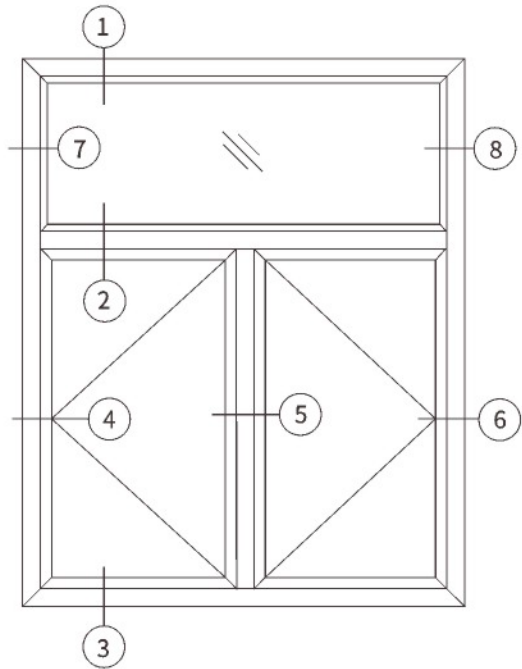


HOT SALE Middle Asia Area

It delivers reliable thermal efficiency while maintaining structural integrity and cost-effectiveness, suitable for projects requiring proven performance without premium costs associated with ultra-slim systems.

Technical Advantages:

- Optimal balance between thermal performance and structural capacity
 - Cost-effective solution for mid-to-high rise applications
 - Proven performance in extreme climates
- Simplified maintenance with accessible glazing system

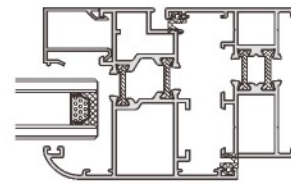
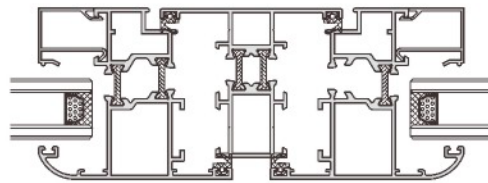
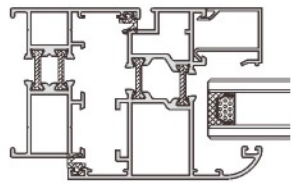
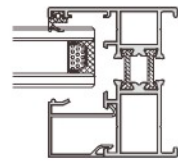
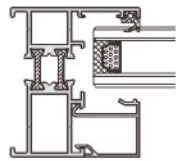
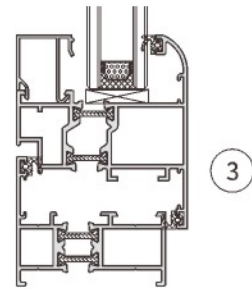
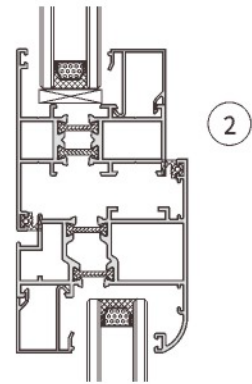
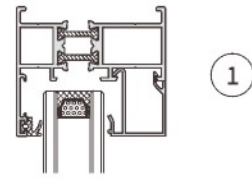
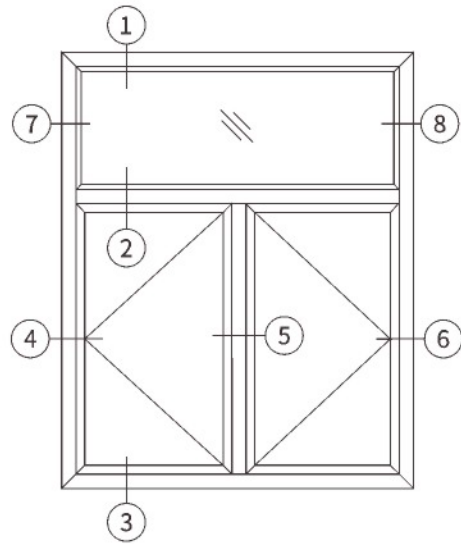


HOT SALE Middle Asia Area

It delivers reliable thermal efficiency while maintaining structural integrity and cost-effectiveness, suitable for projects requiring proven performance without premium costs associated with ultra-slim systems.

Technical Advantages:

- Optimal balance between thermal performance and structural capacity
 - Cost-effective solution for mid-to-high rise applications
 - Proven performance in extreme climates
- Simplified maintenance with accessible glazing system



7

8

4

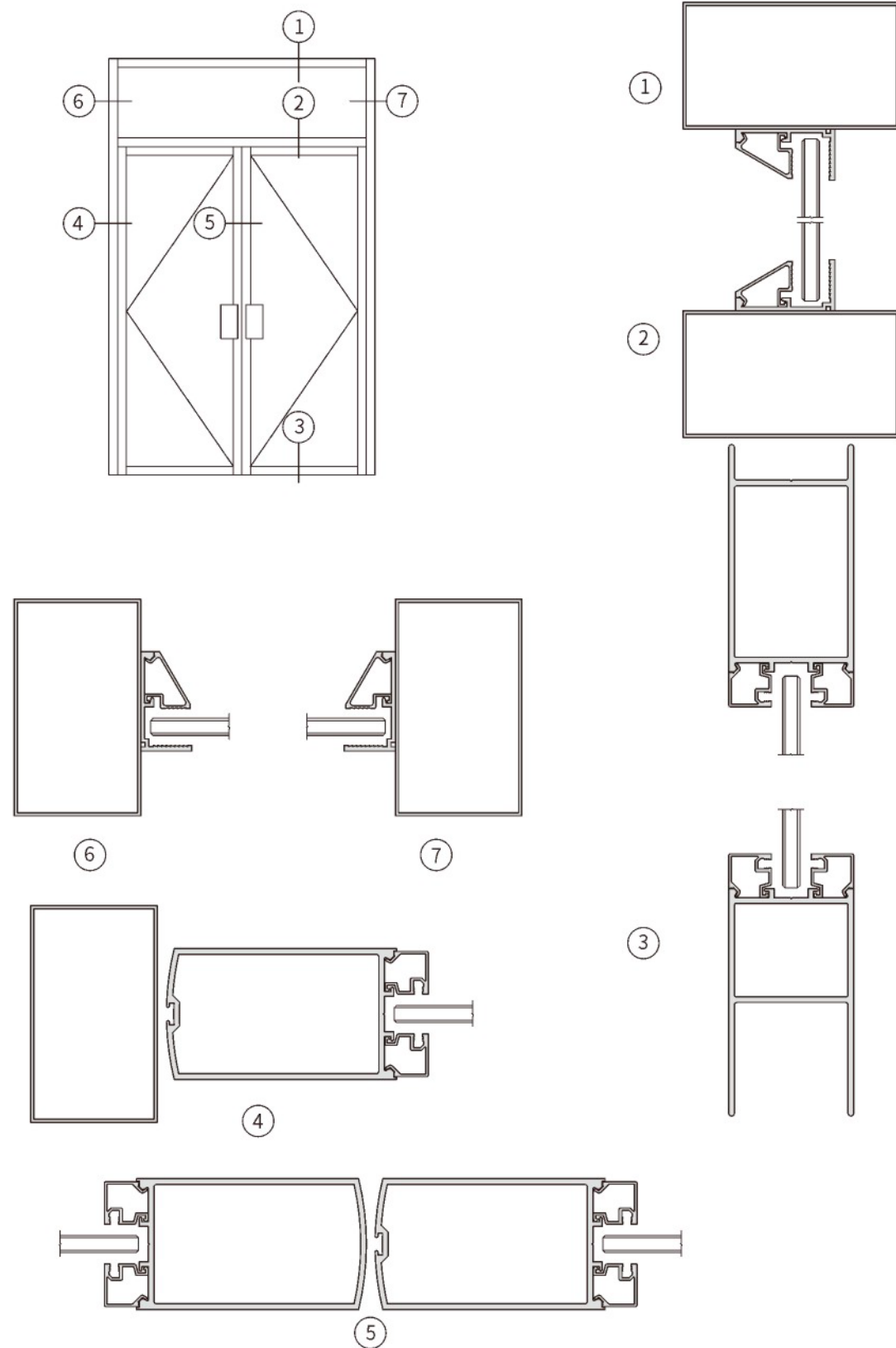
5

6



ART Of Architecture

the ultimate in structural glass facade engineering, combining the strength of steel with the transparency of glass to create breathtaking architectural statements, particularly suited for landmark projects where both visual impact and technical excellence are paramount.



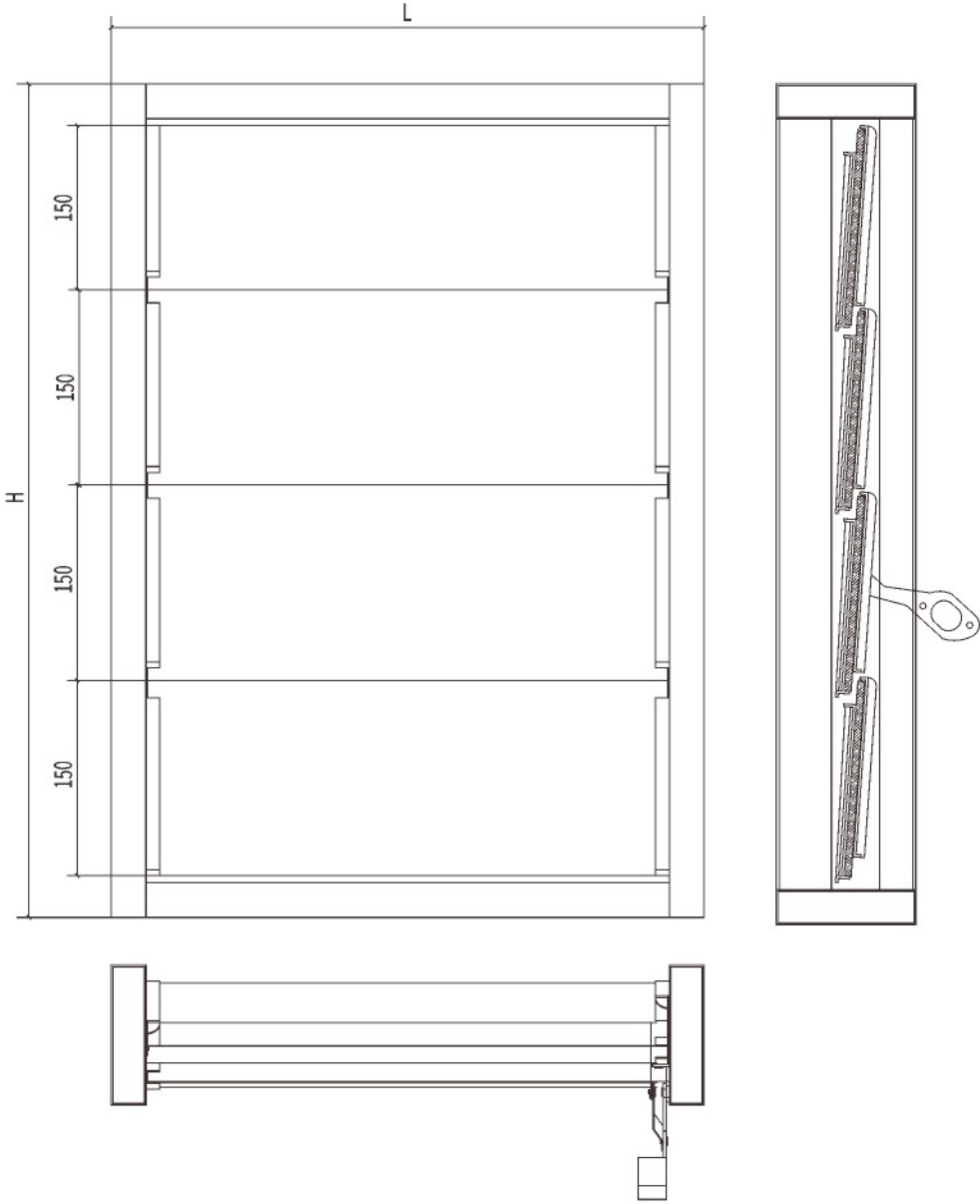
key features:

- Smooth and Controlled Movement
- Heavy-Duty Performance
- Adjustable Closing Speed & Force
- Bidirectional or Unidirectional Operation
- Durability & Longevity

PROJECT EXAMPLES



100mm Glass Louvers



PROJECT EXAMPLES



PROJECT EXAMPLES

